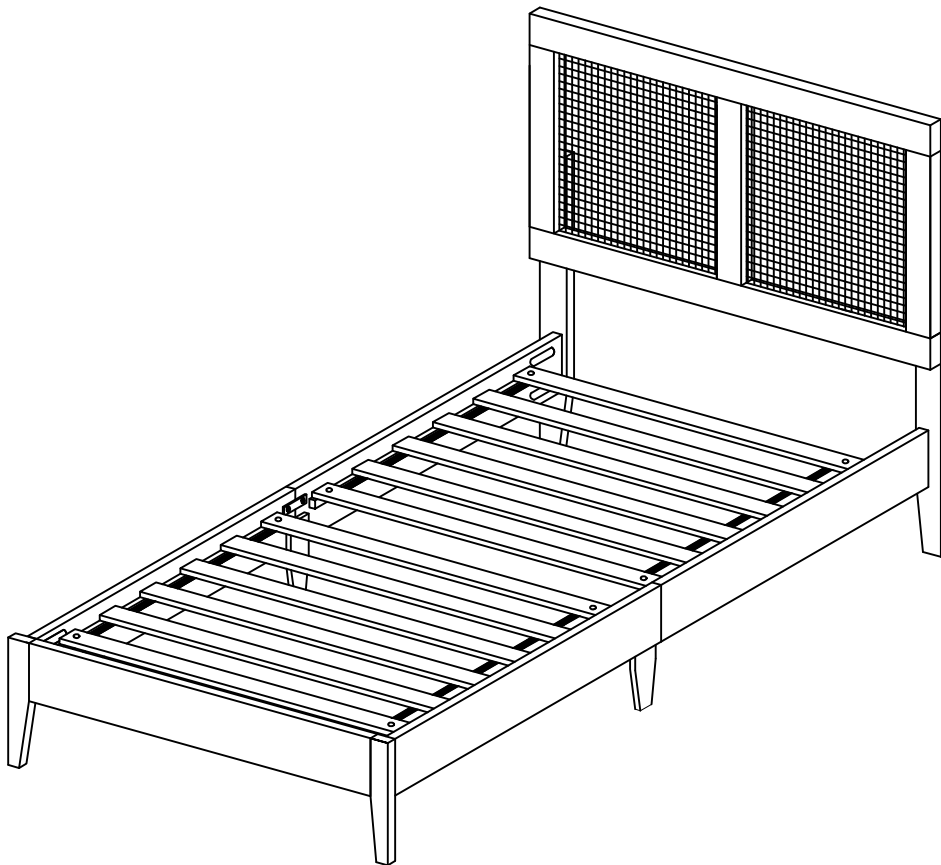


ASSEMBLY INSTRUCTIONS

MOD-7152

VO.11.27.23



Questions? Contact us!

609.256.9000 · cs@modway.com
www.modway.com

***modway**

Let's get started!

*modway



Read through all of the instructions before starting



Care instructions are listed in the last step of this manual



Approx. 30 minutes assembly time



Make sure you have all parts and components before discarding any packing materials



2 people recommended for assembly

Only use hand tools to assemble this item. Do not use power tools. Do not tighten bolts or screws completely until all hardware is lined up and inserted into the holes.

Do not over-tighten screws and bolts to avoid stripping the hardware or cracking the item.

Assemble your item on a flat, carpeted area, with plenty of space to work. This will prevent damage and scratches to your floors or the item while you're assembling the product.

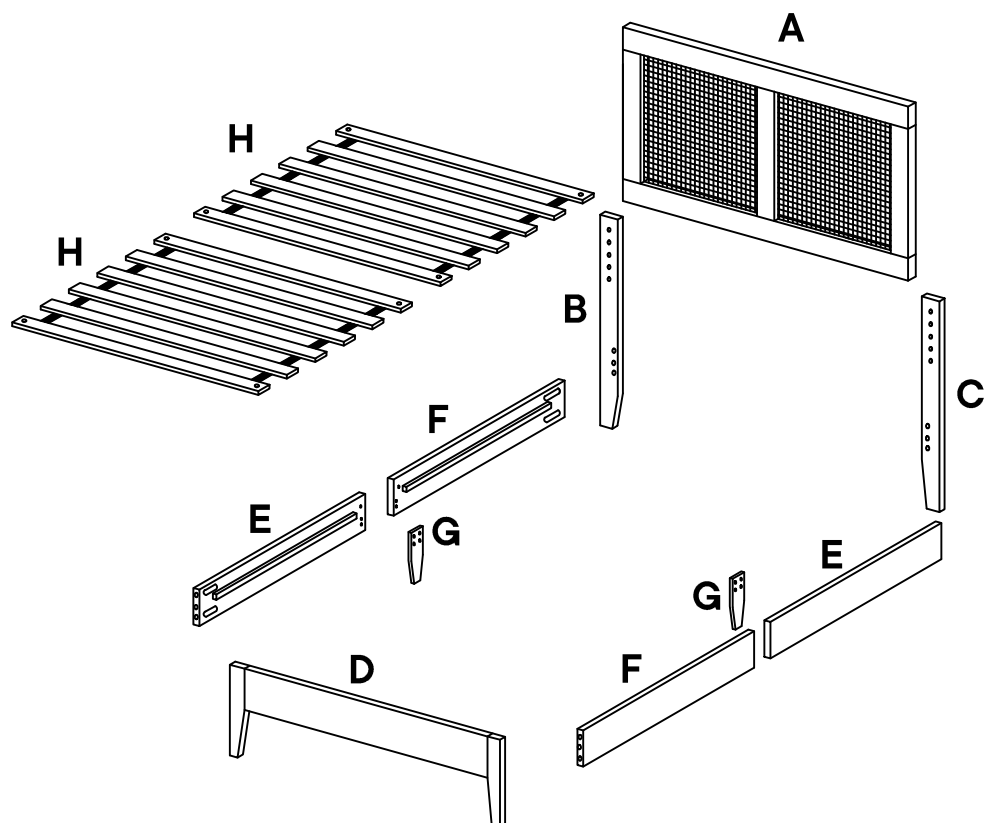
Keep all components and packaging out of reach of children or animals to avoid risk of choking or suffocation.

Furniture components:

A	Headboard	x1
B	Headboard Wood Left	x1
C	Headboard Wood Right	x1
D	Footboard	x1
E	Side Rail (L)	x2
F	Side Rail (R)	x2
G	Side Rail Leg	x2
H	Bed Slat	x2

Provided hardware:

1		JCBC M6 x 20mm	x4
2		JCBC M6 x 30mm	x8
3		JCBC M6 x 45mm	x4
4		JCBC M6 x 50mm	x8
5		M6 Flat Washer	x16
6		M6 Spring Washer	x16
7		Wood Screw M4 X 32mm	x8
8		Wood Dowel M8 X 30mm	x4
9		Sheet Metal (VMB 3076)	x2
10		M4 Allen Key	x1
11		M6 Bend Washer 3013 (RB)	x8



Wait!

Missing parts or hardware? Need assistance?
Contact us before returning your item. We're here to help!
609.256.9000 - cs@modway.com

Step 1

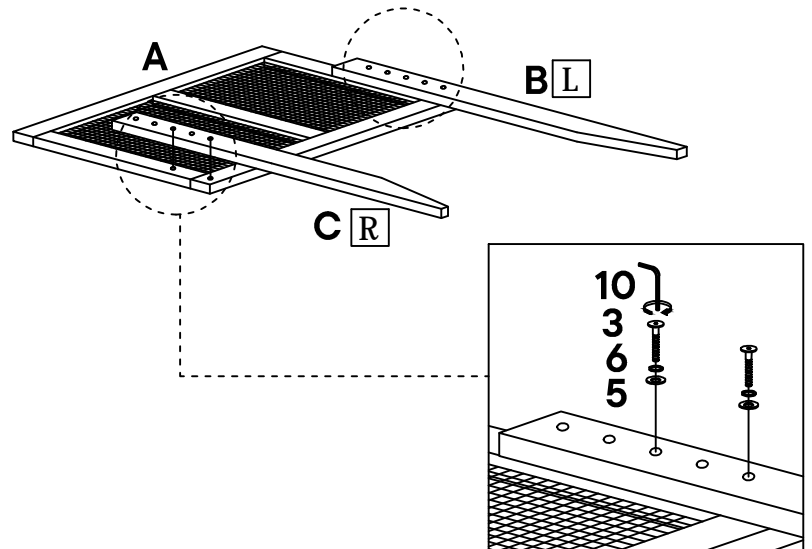
COMPONENT

A	Headboard	x1
B	Headboard Wood Left	x1
C	Headboard Wood Right	x1

HARDWARE

3	JCBC M6 x 45mm	x4
5	M6 Flat Washer	x4
6	M6 Spring Washer	x4
10	M4 Allen Key	x1

Align pre-drilled **Headboard Wood (B) & (C)** holes over the pre-drilled headboard holes according to your desired **Headboard (A)** height.



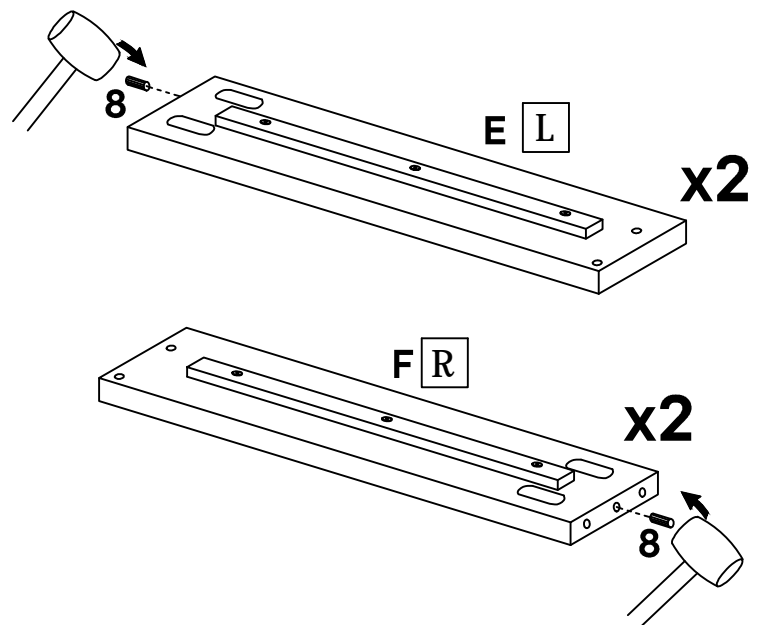
Step 2

COMPONENT

E	Side Rail (L)	x2
F	Side Rail (R)	x2

HARDWARE

8	Wood Dowel M8 x 30mm	x4
----------	----------------------	----



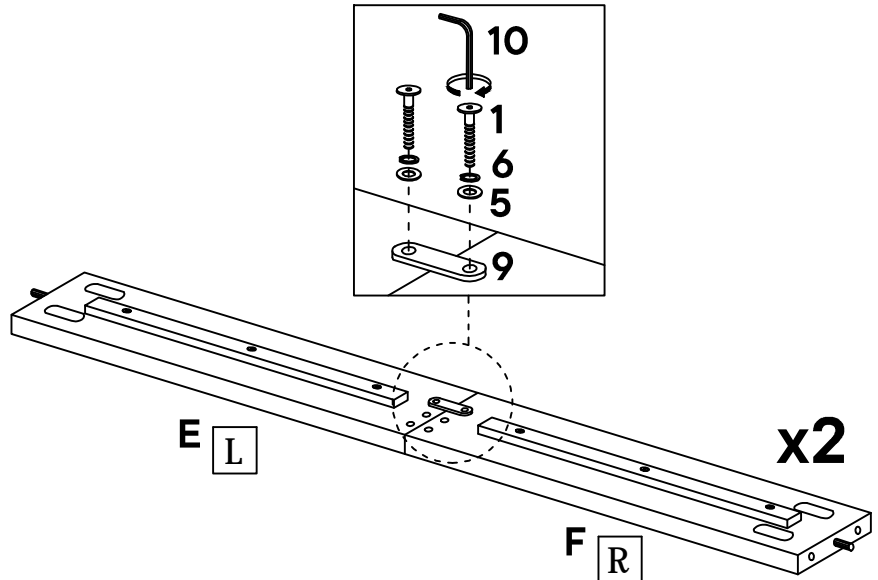
Step 3

COMPONENT

E	Side Rail (L)	x2
F	Side Rail (R)	x2

HARDWARE

1	JCBC M6 x 20mm	x4
5	M6 Flat Washer	x4
6	M6 Spring Washer	x4
9	Sheet Metal (VMB 3076)	x2
10	M4 Allen Key	x1



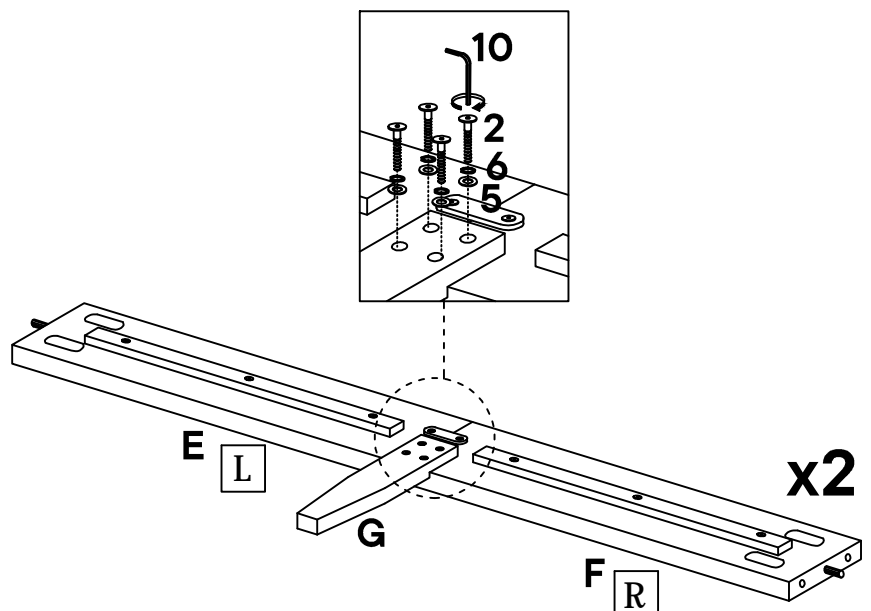
Step 4

COMPONENT

E	Side Rail (L)	x2
F	Side Rail (R)	x2
G	Side Rail Leg	x2

HARDWARE

2	JCBC M6 x 30mm	x8
5	M6 Flat Washer	x8
6	M6 Spring Washer	x8
10	M4 Allen Key	x1



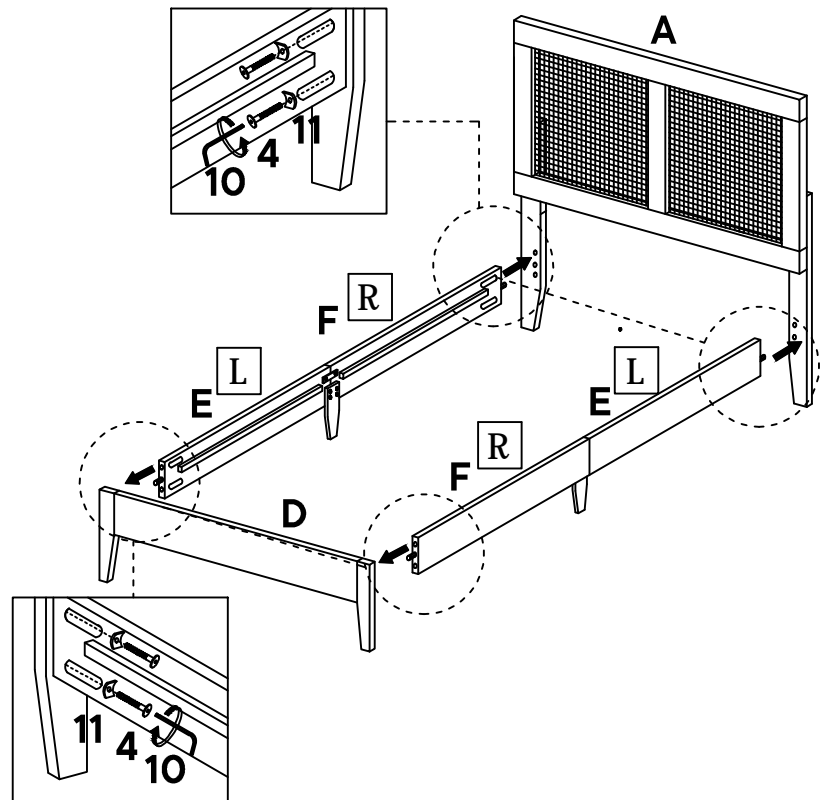
Step 5

COMPONENT

A	Headboard	x1
D	Footboard	x1
E	Side Rail (L)	x2
F	Side Rail (R)	x2

HARDWARE

4	JCBC M6 x 50mm	x8
10	M4 Allen Key	x1
11	M6 Bend Washer 3013 (RB)	x8



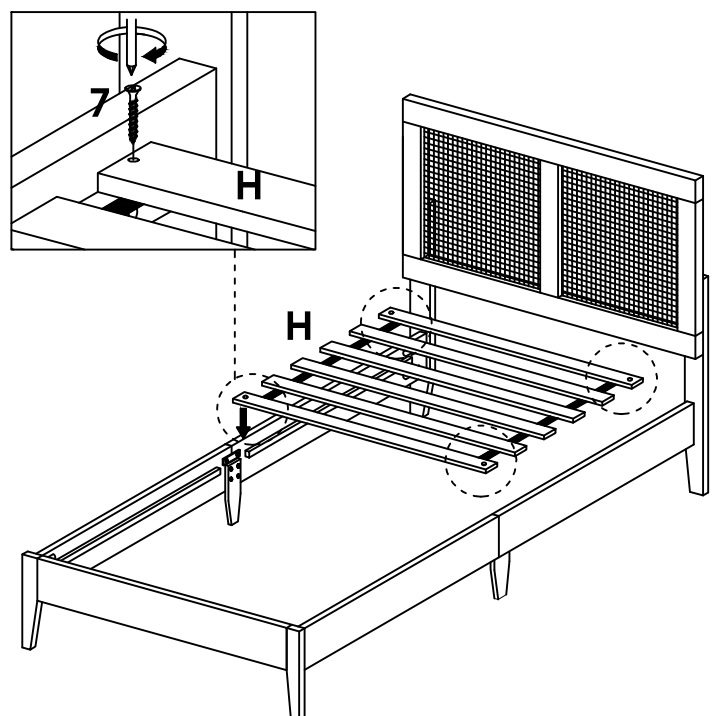
Step 6

COMPONENT

H	Bed Slat	x1
----------	----------	----

HARDWARE

7	Wood Screw M4 x38mm	x4
----------	---------------------	----



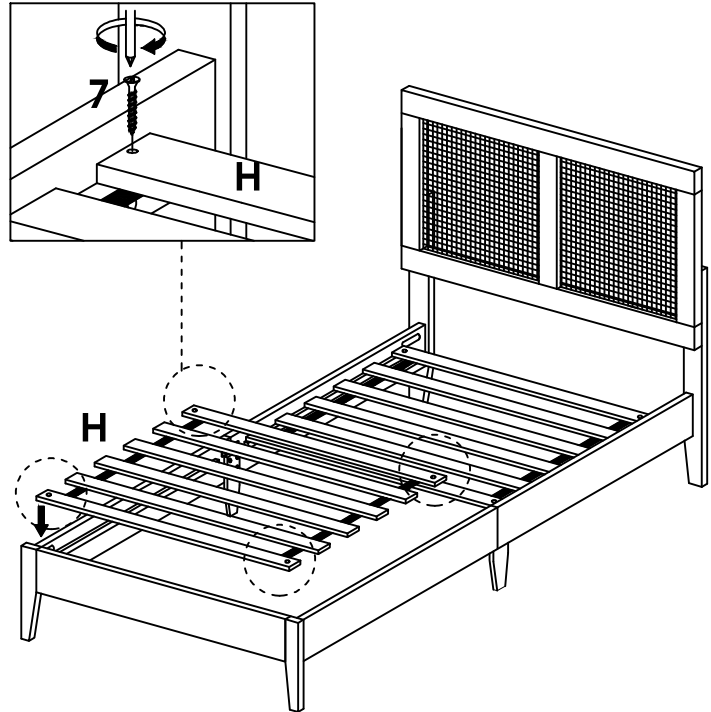
Step 7

COMPONENT

H Bed Slat x1

HARDWARE

7 Wood Screw M4 x32mm x4



Step 8

Bed assembly is complete

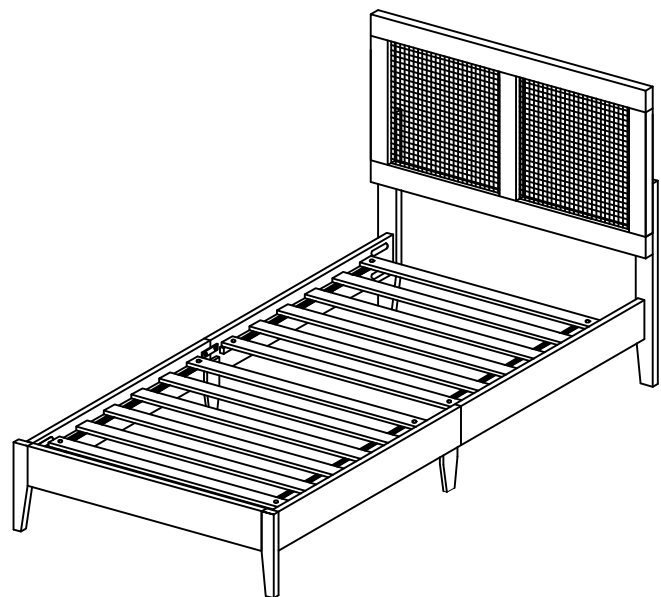
♥ CARING FOR YOUR ITEM

Indoor use only.

Not contract grade.

Clean using a non-abrasive cloth and a mild cleaner

Never use harsh chemicals, as they could damage the finish or integrity of the item.



CONNECT WITH US!   

Tag us @modway_furniture and #modway for a chance to be featured.