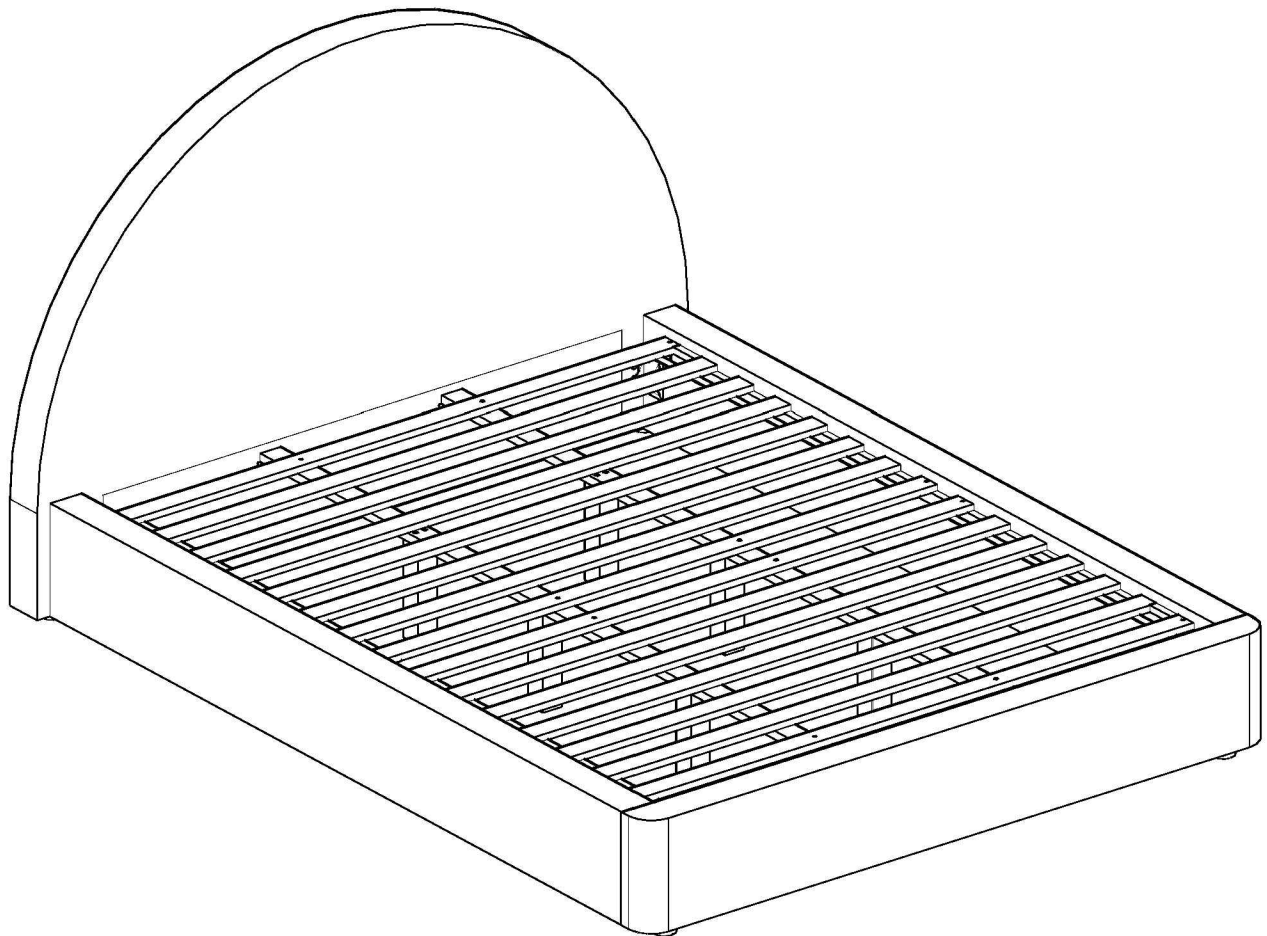


ASSEMBLY INSTRUCTIONS

MOD-7134/7135

V1.16.10.23



Questions? Contact us!

609.256.9000 • cs@modway.com
www.modway.com

***modway**

Let's get started!

***modway**



Read through all of the instructions before starting



Care instructions are listed in the last step of this manual



Approx. 30 minutes assembly time



Make sure you have all parts and components before discarding any packing materials



2 people recommended for assembly

Only use hand tools to assemble this item. Do not use power tools.

Do not tighten bolts or screws completely until all hardware is lined up and inserted into the holes.

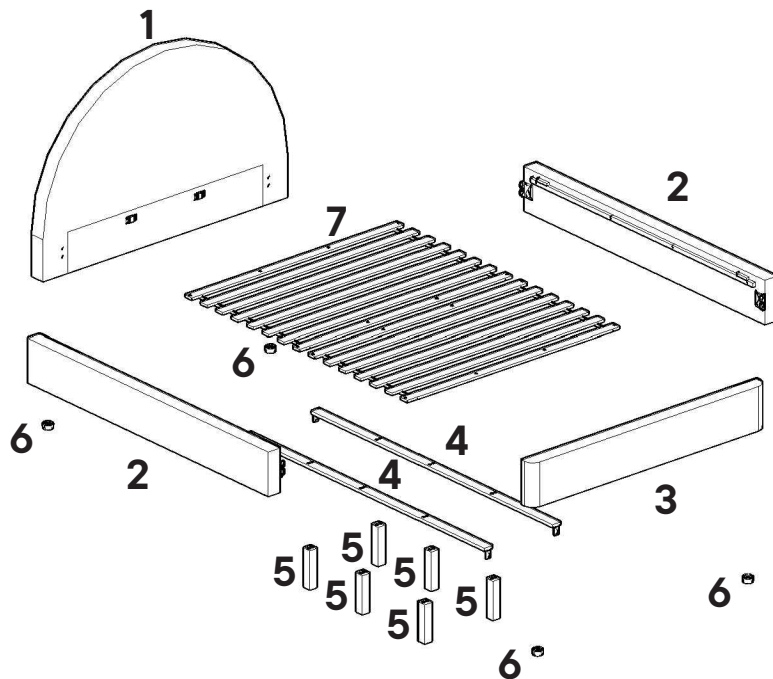
Do not over-tighten screws and bolts to avoid stripping the hardware or cracking the item.

Assemble your item on a flat, carpeted area, with plenty of space to work. This will prevent damage and scratches to your floors or the item while you're assembling the product.

Keep all components and packaging out of reach of children or animals to avoid risk of choking or suffocation.

Furniture components:

1	Headboard	x1
2	Side Rail	x2
3	Footboard	x1
4	Center Rail	x2
5	Center Support Leg	x6
6	Bed Leg	x4
7	Slat	x15



Provided hardware:

A		Allen Key M4	x1
B		Allen Key M5	x1
C		JCBC Bolt M6 x 40mm	x12

D		Wood Screw M4 x 20mm	x4
E		Wood Screw M4 x 25mm	x16
F		Wood Screw M4 x 35mm	x4

What you need:



Wait!

Missing parts or hardware? Need assistance?

Contact us before returning your item. We're here to help!
609.256.9000 • cs@modway.com

Step 1

HARDWARE

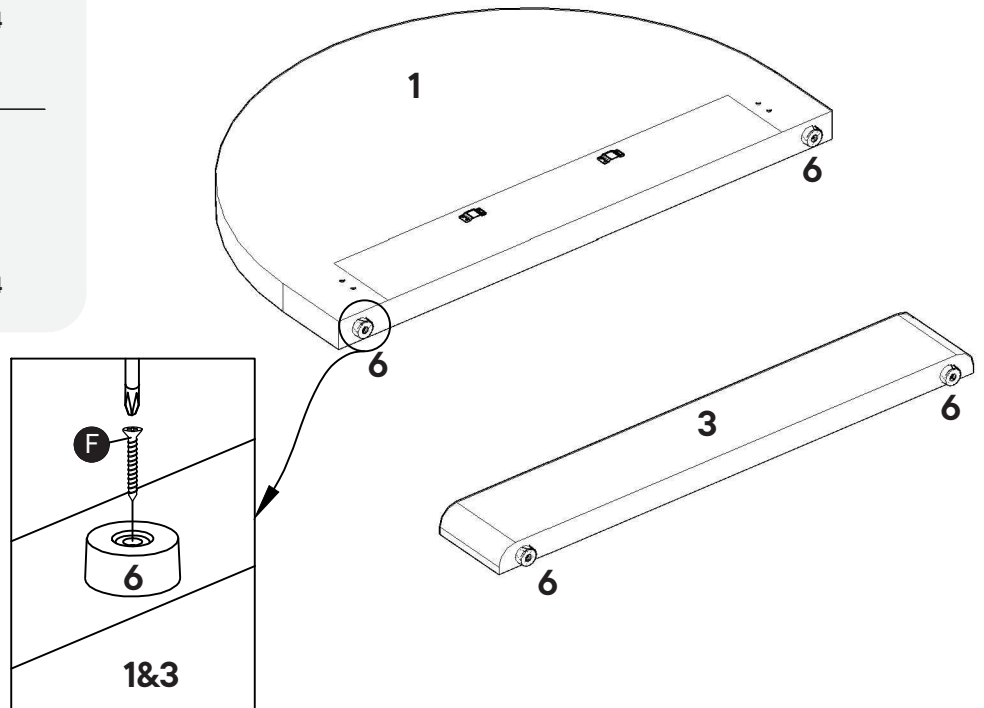
F Wood Screw M4 x 35mm x4

COMPONENTS

1 Headboard x1

3 Footboard x1

6 Bed Leg x4



Step 2

COMPONENTS

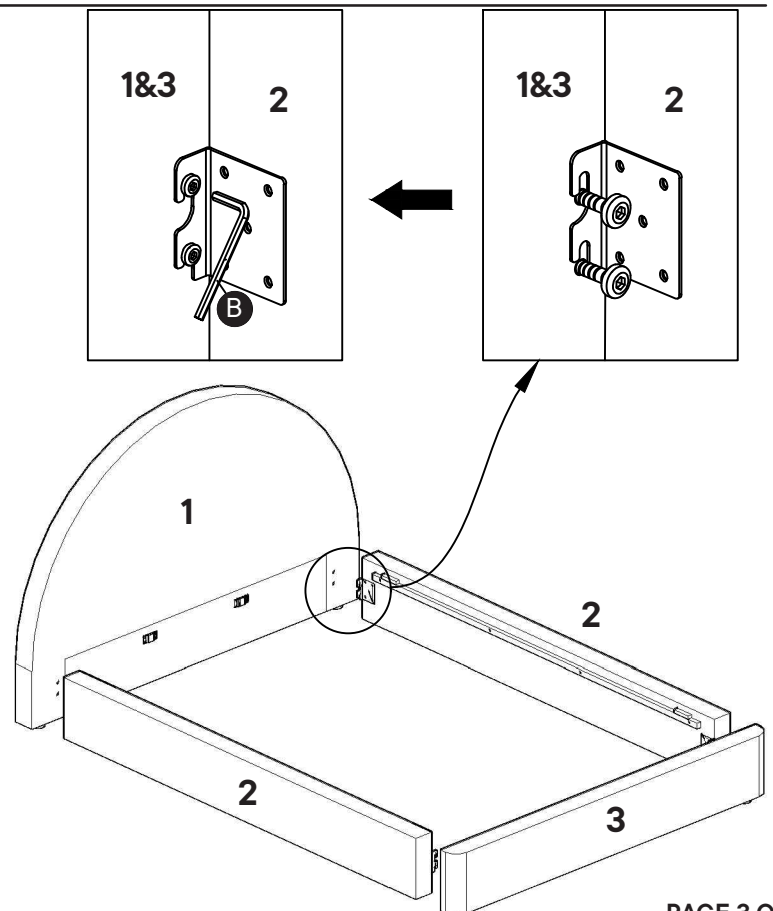
1 Headboard x1

2 Side Rail x2

3 Footboard x1

TOOLS

B Allen Key M5 x1



Step 3

HARDWARE

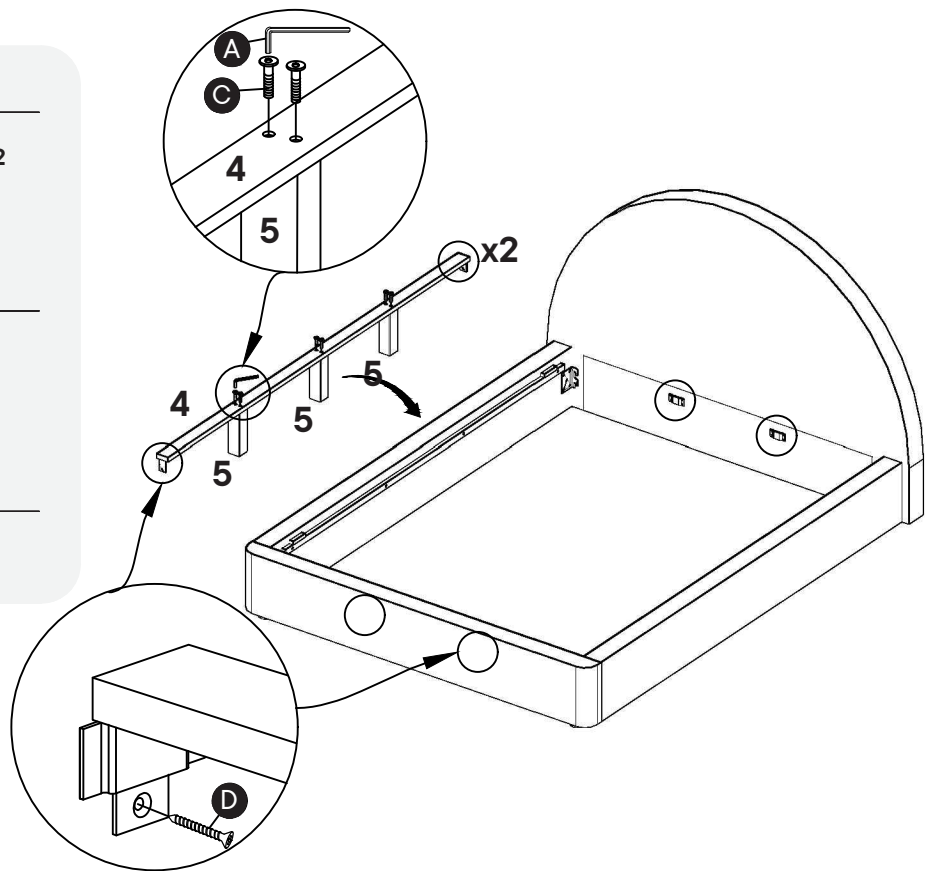
- C** JCBC M6 x 40mm x12
- D** Wood Screw M4 x 20mm x4

COMPONENTS

- 4** Center Rail x2
- 5** Center Support Leg x6

TOOLS

- A** Allen Key M4 x1



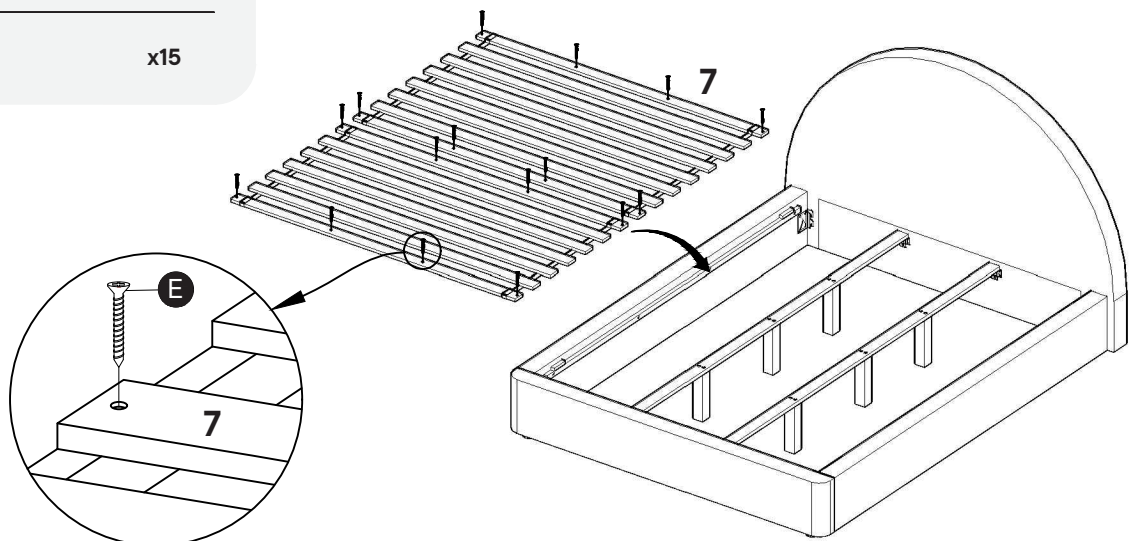
Step 4

HARDWARE

- E** Wood Screw M4 x 25mm x16

COMPONENTS

- 7** Slat x15



Great job!

Your new bed is complete.

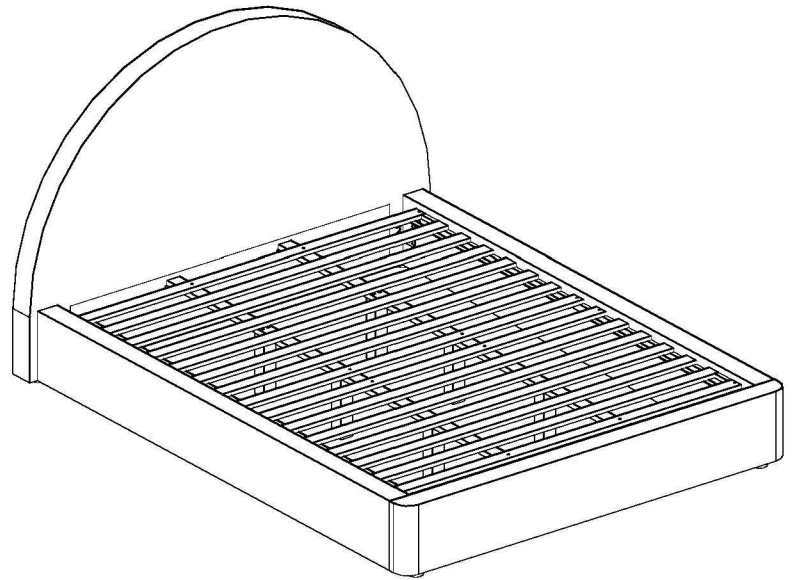
♥ CARING FOR YOUR ITEM

Depending on use, it may be necessary to tighten the hardware from time to time, so please save the tools that have been provided.

Not contract grade.

Clean using a non-abrasive cloth and a mild cleaner.

Retain the rich wood color by occasionally sanding lightly and applying a teak cleaner and protectant. The oils nourish and help restore the original look.



CONNECT WITH US!   

Tag us @modway_furniture and #modway for a chance to be featured.