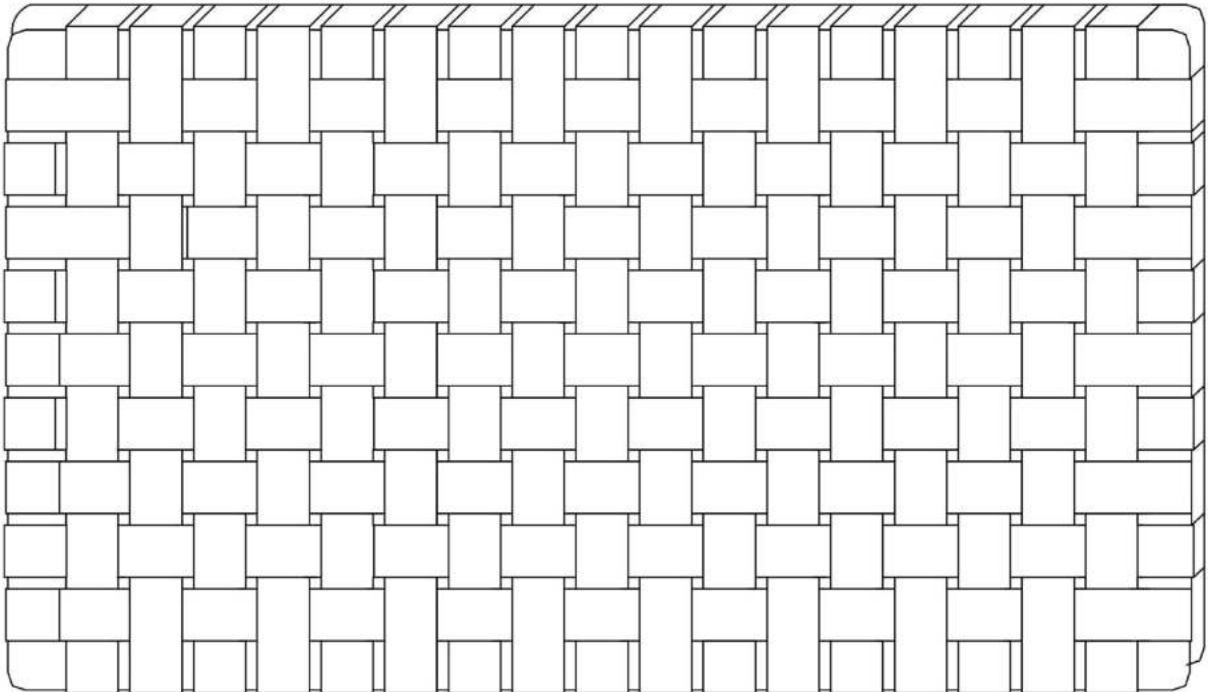


# ASSEMBLY INSTRUCTIONS

# MOD-7120

V1.10.25.23



**Questions? Contact us!**

609.256.9000 • [cs@modway.com](mailto:cs@modway.com)  
[www.modway.com](http://www.modway.com)

\*modway



Read through all of the instructions before starting



Care instructions are listed in the last step of this manual



Approx. 30 minutes assembly time



Make sure you have all parts and components before discarding any packing materials



2 people recommended for assembly

**Only use hand tools to assemble this item.** Do not use power tools. Do not tighten bolts or screws completely until all hardware is lined up and inserted into the holes.

Do not over-tighten screws and bolts to avoid stripping the hardware or cracking the item.

Assemble your item on a flat, carpeted area, with plenty of space to work. This will prevent damage and scratches to your floors or the item while you're assembling the product.


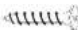

Keep all components and packaging out of reach of children or animals to avoid risk of choking or suffocation.

## Furniture components:

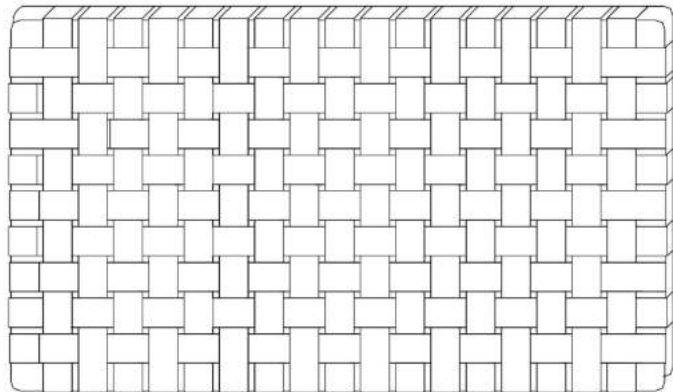
A Headboard x1

## Provided hardware:

For Headboard

- |   |                                                                                    |                       |    |
|---|------------------------------------------------------------------------------------|-----------------------|----|
| 1 |    | PVC Wall Plug         | x4 |
| 2 |   | Wood Screw M4 x 38mm  | x4 |
| 3 |  | Wood - 21 x 40 x 80mm | x2 |

**A**



## What you need:

Phillips  Phillips Head Screwdriver

## You may also need:

+ Power Drill  
+ Level

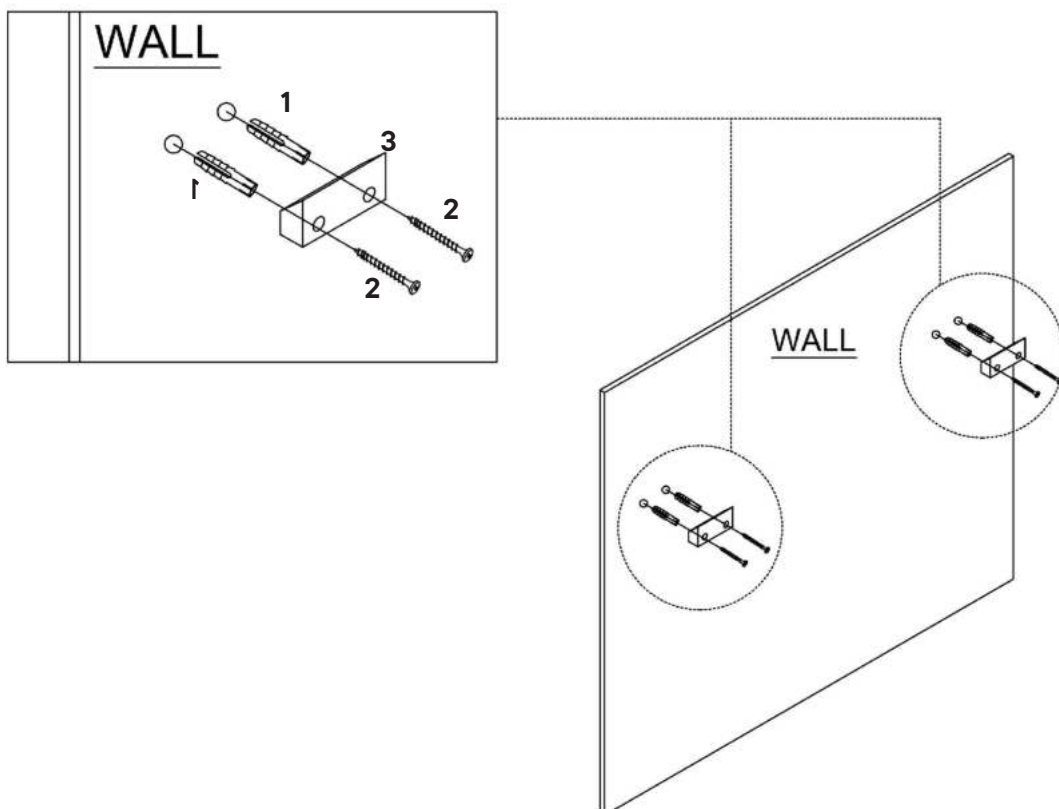
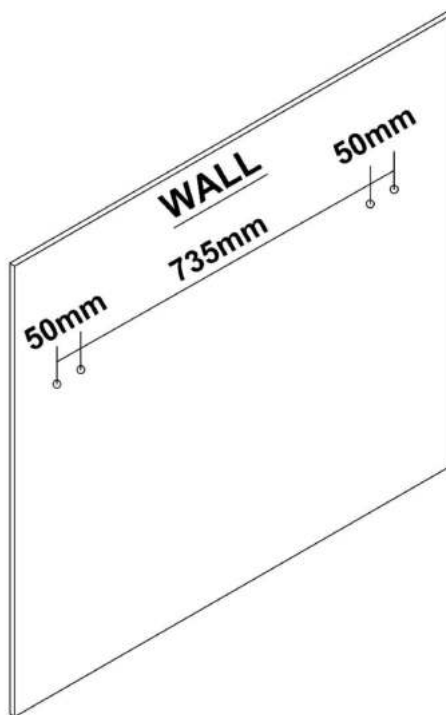
**Wait!**

Missing parts or hardware? Need assistance?  
Contact us before returning your item. We're here to help!  
609.256.9000 • cs@modway.com

# Step 1

## HARDWARE

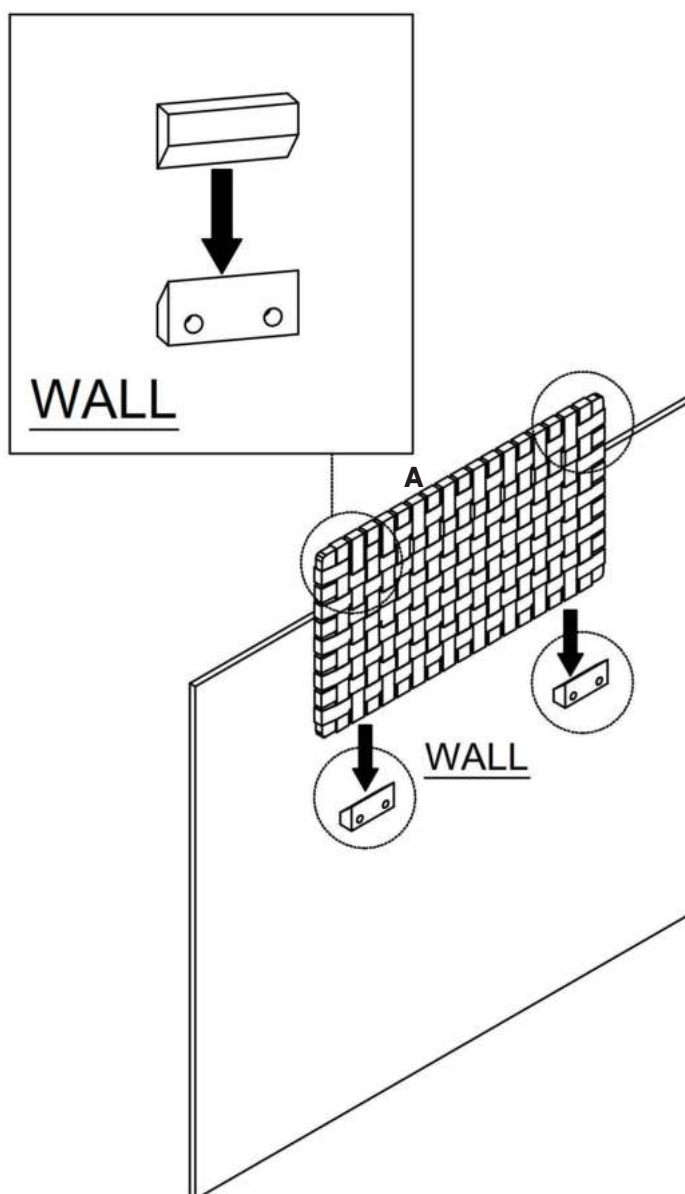
- 1 PVC Wall Plug x4
- 2 Wood Screw M4 x 38mm x4
- 3 Wood - 21 x 40 x 80mm x2



# Step 2

## COMPONENT

**A** Headboard x1



# Great job!

Headboard assembly is complete

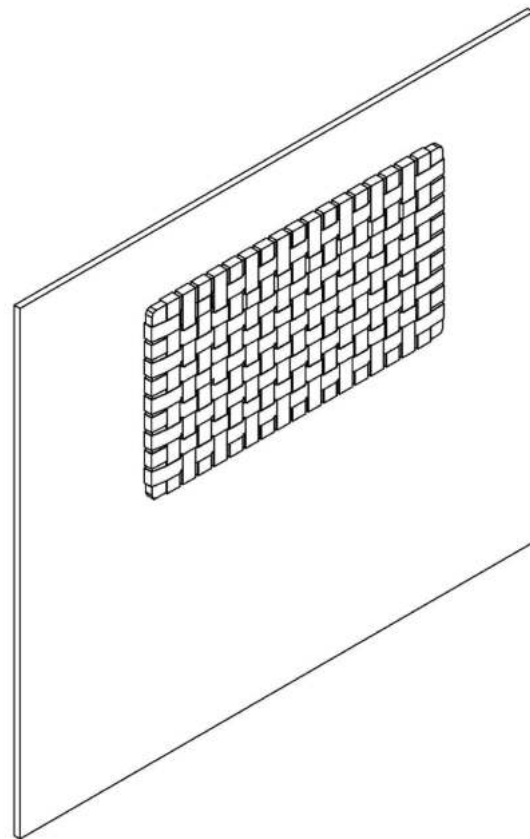
## ♥ CARING FOR YOUR ITEM

Indoor use only.

Not contract grade.

Clean using a non-abrasive cloth and a mild cleaner.

Never use harsh chemicals, as they could damage the finish or integrity of the item.



CONNECT WITH US!   

Tag us [@modway\\_furniture](#) and [#modway](#) for a chance to be featured.