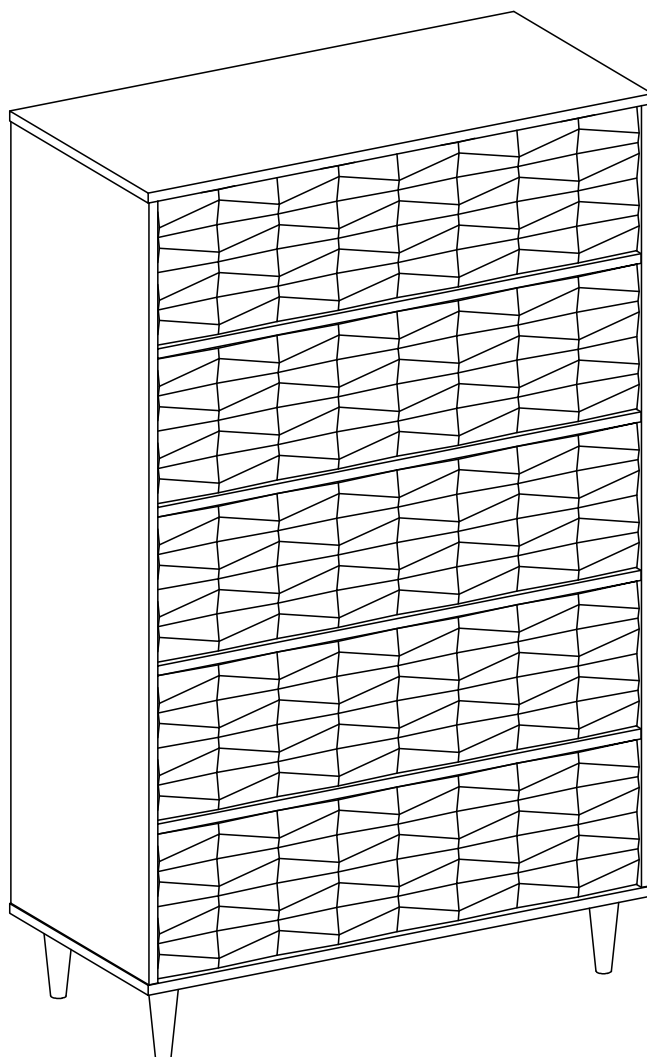


## ASSEMBLY INSTRUCTIONS

# MOD-7082

V0.02.02.23



### Questions? Contact us!

609.256.9000 • [cs@modway.com](mailto:cs@modway.com)  
[www.modway.com](http://www.modway.com)

\*modway

# Let's get started!

**\*modway**



Read through all of the instructions before starting



Care instructions are listed in the last step of this manual



Approx. 60 minutes assembly time



Make sure you have all parts and components before discarding any packing materials



2 people recommended for assembly

**Only use hand tools to assemble this item.** Do not use power tools. Do not tighten bolts or screws completely until all hardware is lined up and inserted into the holes.

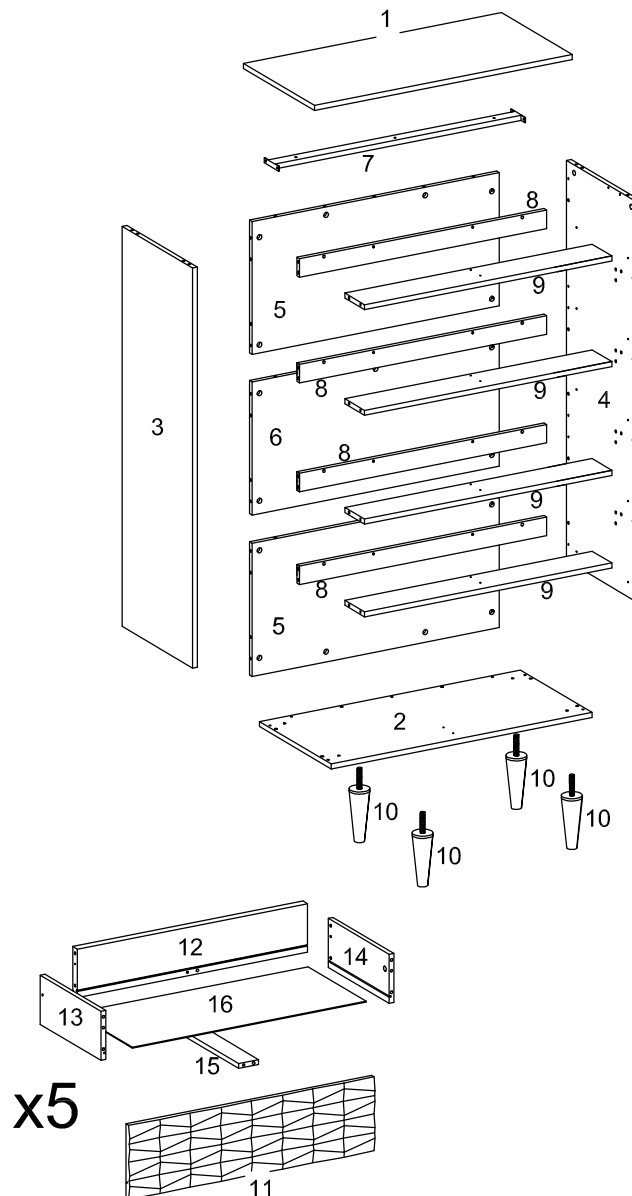
Do not over-tighten screws and bolts to avoid stripping the hardware or cracking the item.

Assemble your item on a flat, carpeted area, with plenty of space to work. This will prevent damage and scratches to your floors or the item while you're assembling the product.

Keep all components and packaging out of reach of children or animals to avoid risk of choking or suffocation.

## Furniture components:

1	Top Board	x1
2	Bottom Board	x1
3	Left Side Board	x1
4	Right Side Board	x1
5	Rear Board (Top and Bottom)	x2
6	Rear Board (Middle)	x1
7	Top Support	x1
8	Drawer Support	x4
9	Drawer Support (Front)	x4
10	Legs	x4
11	Front Drawer Board	x5
12	Rear Drawer Board	x5
13	Left Side Drawer Board	x5
14	Right Side Drawer Board	x5
15	Drawer Support Board	x5
16	Bottom Drawer Board	x5





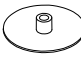



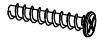









**Wait!**

**Missing parts or hardware? Need assistance?**



Contact us before returning your item. We're here to help!

609.256.9000 • [cs@modway.com](mailto:cs@modway.com)

## Provided hardware:

A		Cam Lock Ø15 mm	x28
B		Cam Bolt Ø7.5 x 32 mm	x43
C		Cam Cover Ø17 mm	x28
D		Plastic Dowel Ø6 x 30 mm	x114
E		Screw M 6 x 8 mm	x30
F		Screw M 6 x 13 mm	x30
G		Screw M 10 x 33.5 mm	x27
H		Sleeve Nut	x4
I		Cam Lock Ø12 mm	x15
J		Push TO Open	x5
K		Screw M 10 x 25 mm	x3
L		Allen Key	x1
M		Drawer Rails	x5
N		Cam Cover Ø12 mm	x10
O		Backply Stopper	x20
P		Screw M 4 x 19 mm	x20

## What you need:

Q		Wall Bracket Set	x1
R		Screw M 4 x 10 mm	x4

	Phillips Head Screwdriver
---	---------------------------

**Wait!**

**Missing parts or hardware? Need assistance?**

Contact us before returning your item. We're here to help!

609.256.9000 • [cs@modway.com](mailto:cs@modway.com)

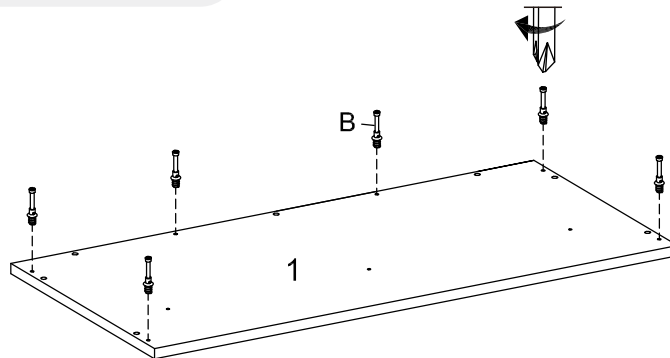
# Step 1

## HARDWARE

**B** Cam Bolt  $\varnothing 7.5 \times 32$  mm x6

## COMPONENTS

**1** Top Board x1



# Step 2

## HARDWARE

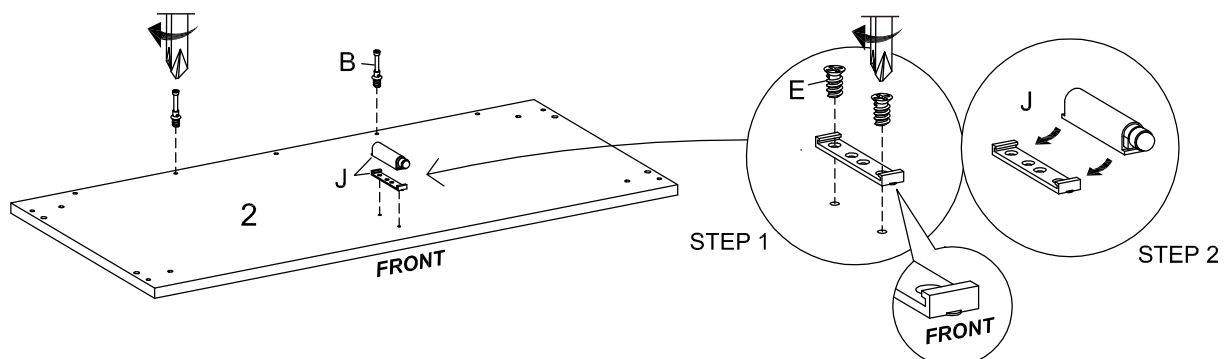
**B** Cam Bolt  $\varnothing 7.5 \times 32$  mm x2

**E** Screw M 6 x 8 mm x2

**J** Push To Open x1

## COMPONENTS

**2** Bottom Board x1



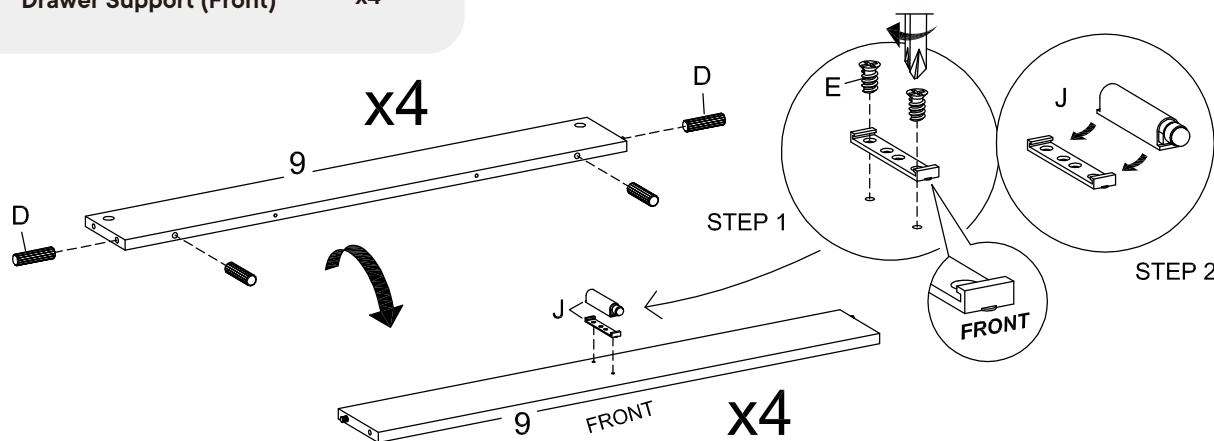
## Step 3

### HARDWARE

- D** Plastic Dowel Ø6 x 30 mm x16
- E** Screw M 6 x 8 mm x8
- J** Push To Open x4

### COMPONENTS

- 9** Drawer Support (Front) x4



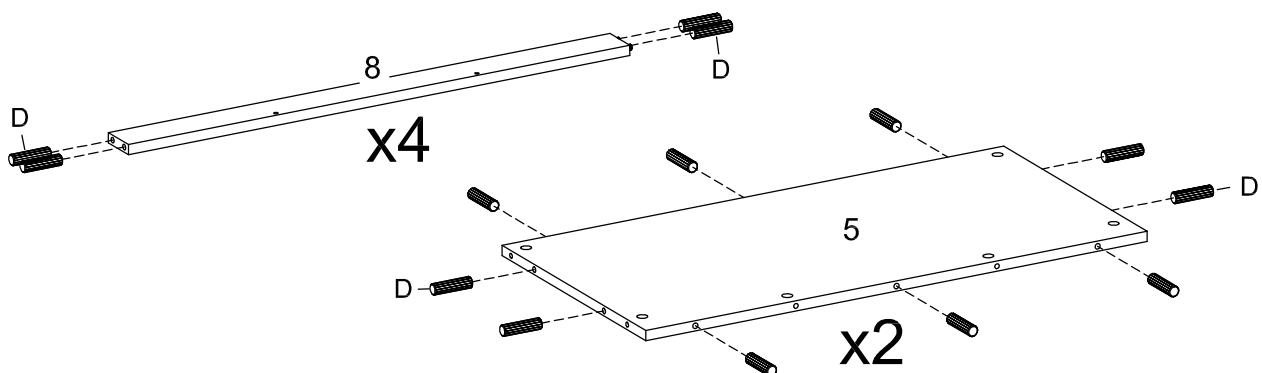
## Step 4

### HARDWARE

- D** Plastic Dowel Ø6 x 30 mm x36

### COMPONENTS

- 5** Rear Board (Top and Bottom) x2
- 8** Drawer Support x4



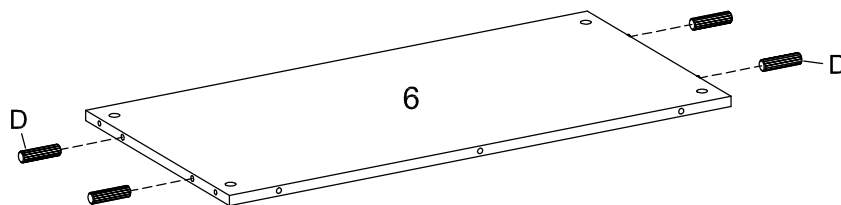
## Step 5

### HARDWARE

**D** Plastic Dowel  $\varnothing 6 \times 30$  mm x4

### COMPONENTS

**6** Rear Board (Middle) x1



## Step 6

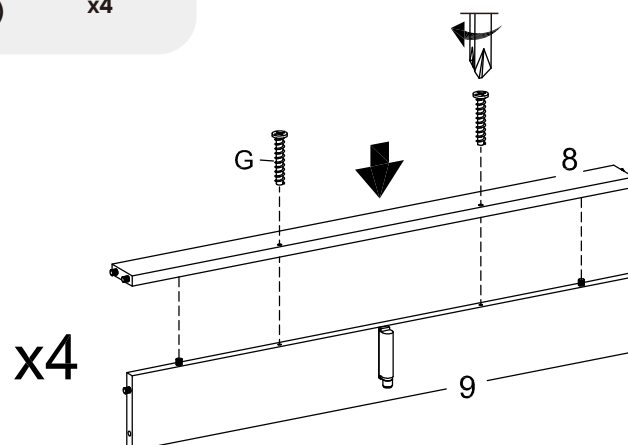
### HARDWARE

**G** Screw M 10 x 33.5 mm x8

### COMPONENTS

**8** Drawer Support x4

**9** Drawer Support (Front) x4



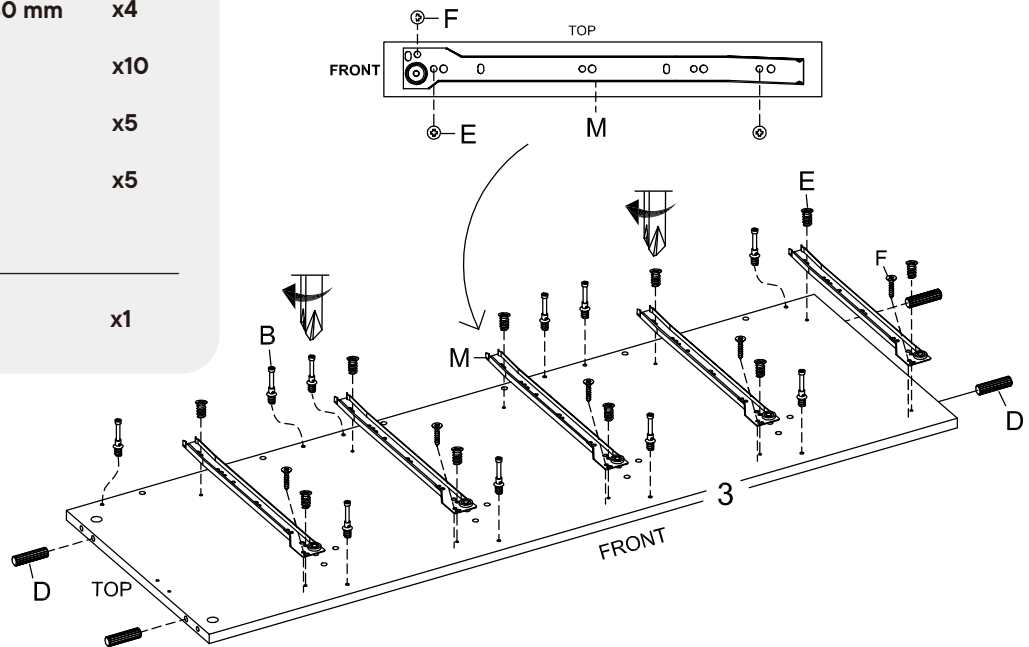
# Step 7

## HARDWARE

- B** Cam Bolt  $\varnothing 7.5 \times 32$  mm x10
- D** Plastic Dowel  $\varnothing 6 \times 30$  mm x4
- E** Screw M 6 x 8 mm x10
- F** Screw M 6 x 13 mm x5
- M** Drawer Rails x5

## COMPONENTS

- 3** Left Side Board x1



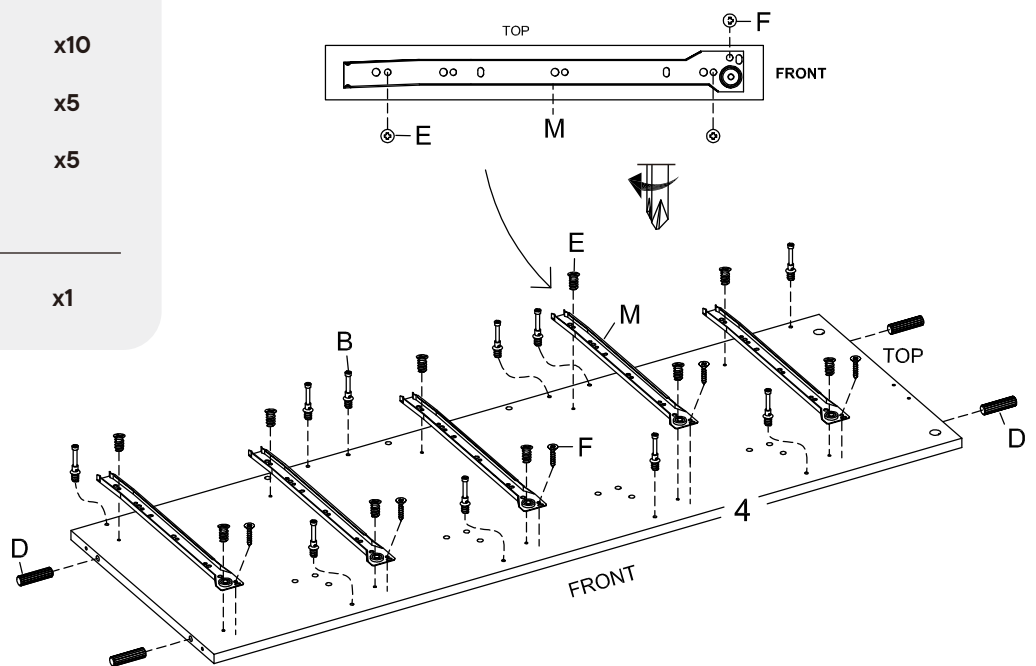
# Step 8

## HARDWARE

- B** Cam Bolt  $\varnothing 7.5 \times 32$  mm x10
- D** Plastic Dowel  $\varnothing 6 \times 30$  mm x4
- E** Screw M 6 x 8 mm x10
- F** Screw M 6 x 13 mm x5
- M** Drawer Rails x5

## COMPONENTS

- 4** Right Side Board x1



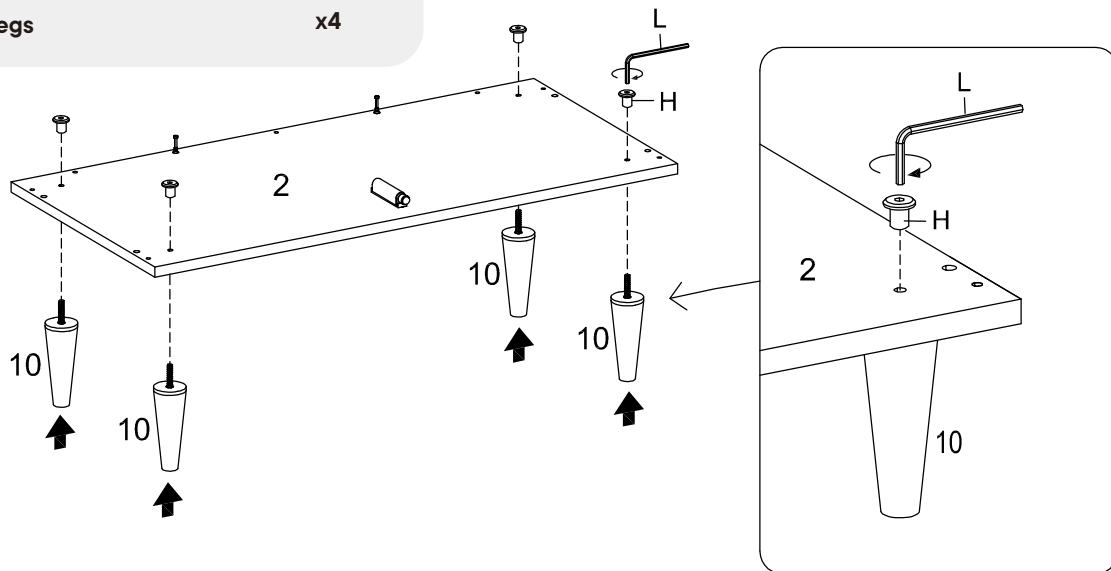
# Step 9

## HARDWARE

- H** Sleeve Nut x4
- L** Allen Key x1

## COMPONENTS

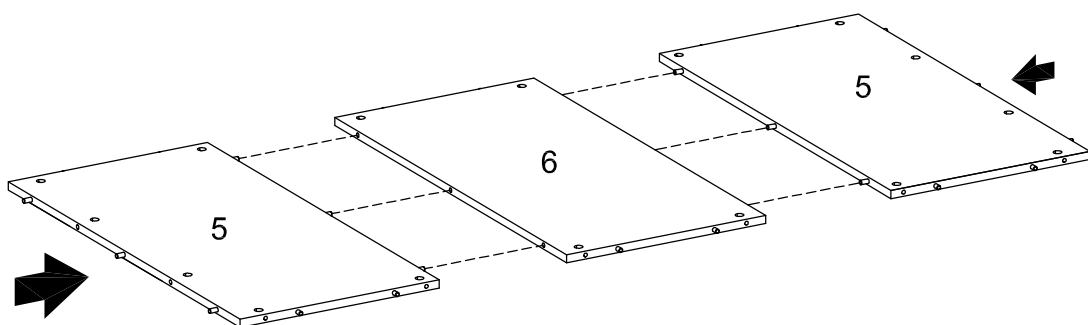
- 2** Bottom Board x1
- 10** Legs x4



# Step 10

## COMPONENTS

- 5** Rear Board (Top and Bottom) x2
- 6** Rear Board (Middle) x1





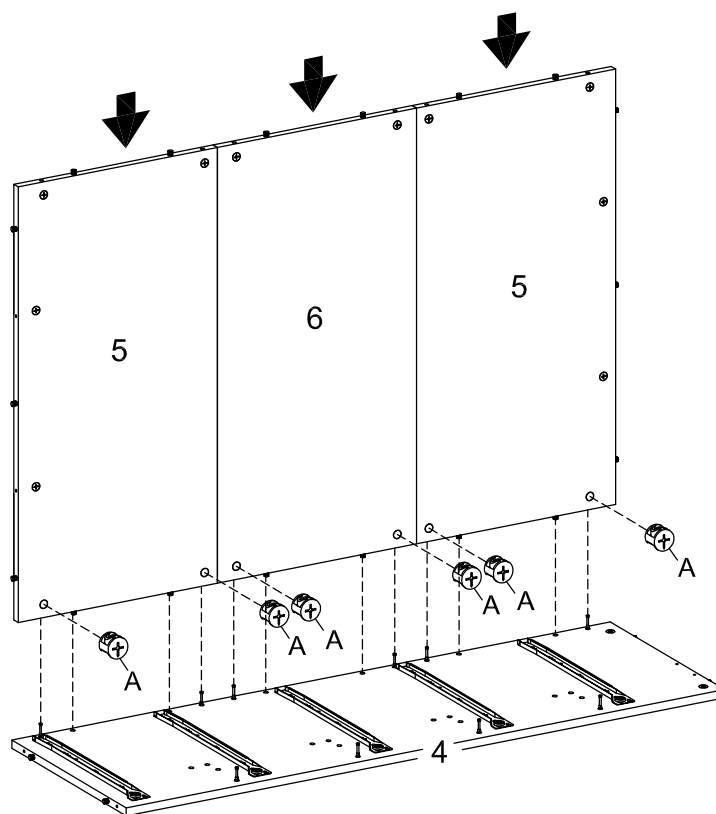
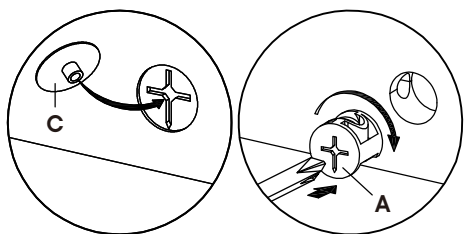
# Step 11

## HARDWARE

- A** Cam Lock Ø15 mm x6
- C** Cam Cover Ø17 mm x6

## COMPONENTS

- 4** Right Side Board x1
- 5** Rear Board (Top and Bottom) x2
- 6** Rear Board (Middle) x1



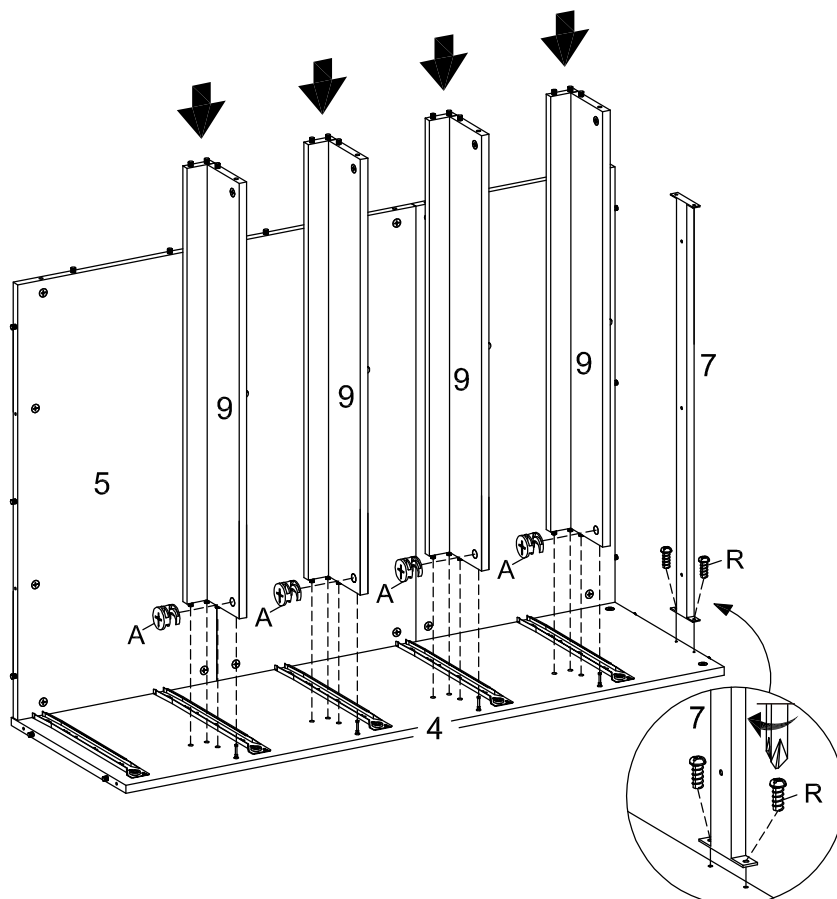
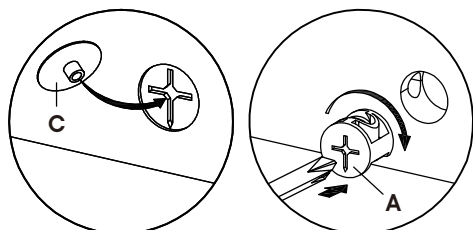
# Step 12

## HARDWARE

- A** Cam Lock Ø15 mm x4
- C** Cam Cover Ø17 mm x4
- R** Screw M 4 x 10 mm x2

## COMPONENTS

- 4** Right Side Board x1
- 7** Top Support x1
- 8** Drawer Support x4
- 9** Drawer Support (Front) x4



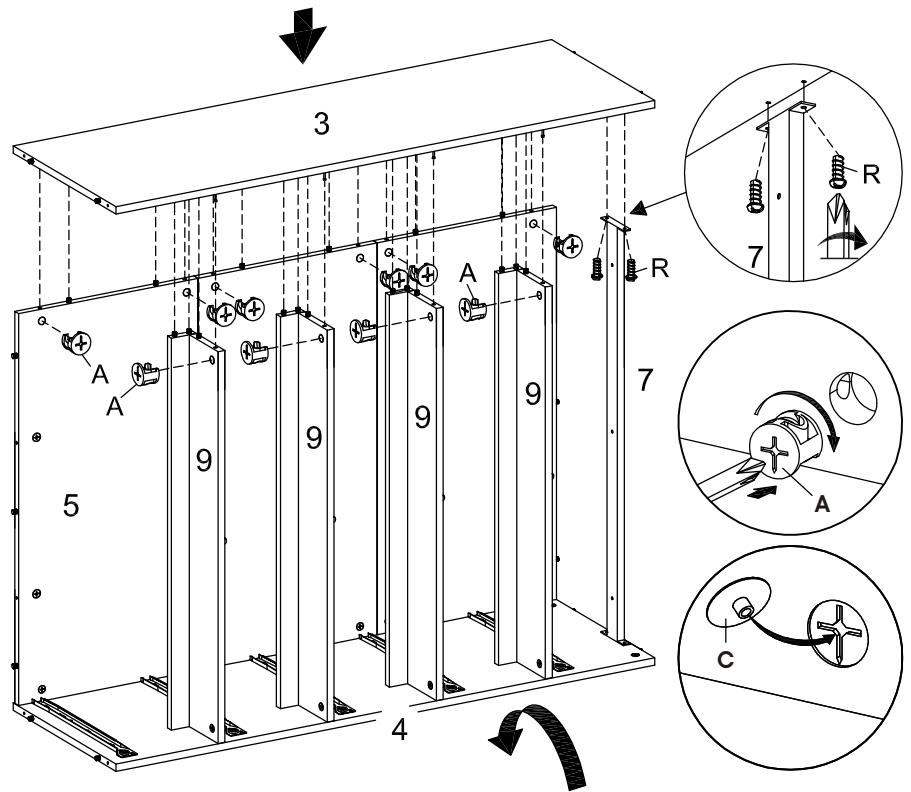
# Step 13

## HARDWARE

- A** Cam Lock Ø15 mm x10
- C** Cam Cover Ø17 mm x10
- R** Screw M 4 x 10 mm x2

## COMPONENTS

- 3** Left Side Board x1
- 5** Rear Board (Top and Bottom) x1
- 7** Top Support x1
- 8** Drawer Support x4
- 9** Drawer Support (Front) x4



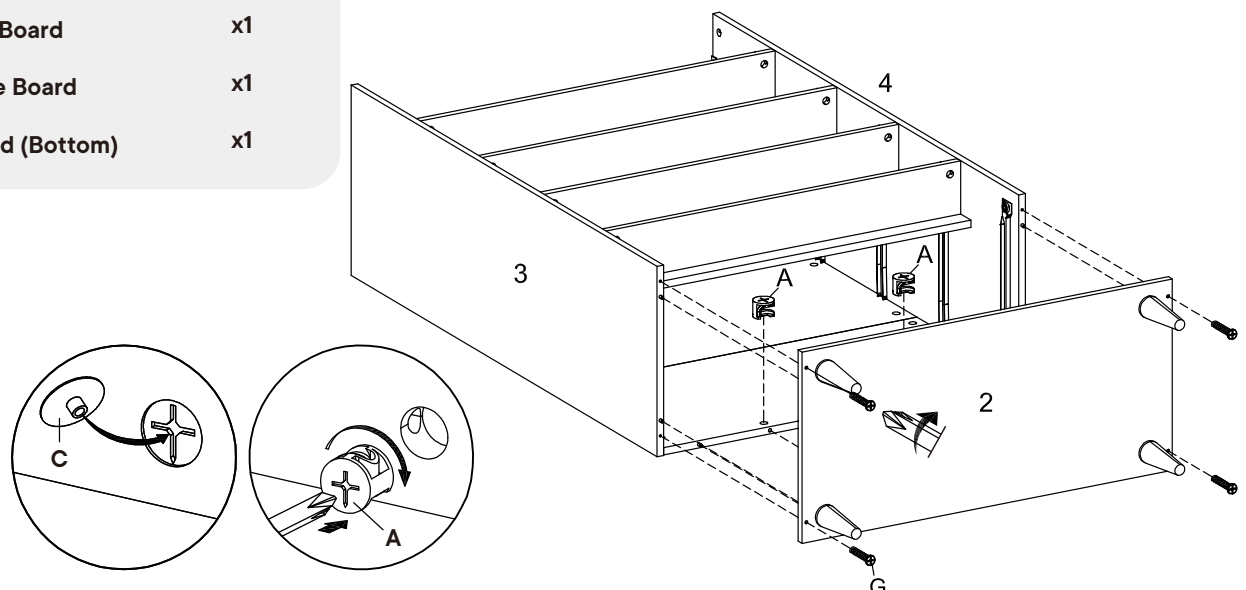
# Step 14

## HARDWARE

- A** Cam Lock Ø15 mm x2
- C** Cam Cover Ø17 mm x2
- G** Screw M 10 x 33.5 mm x4

## COMPONENTS

- 2** Bottom Board x1
- 3** Left Side Board x1
- 4** Right Side Board x1
- 5** Rear Board (Bottom) x1



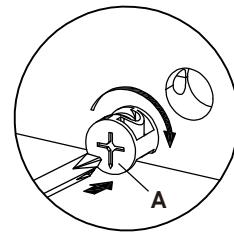
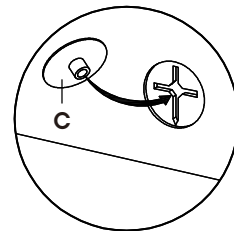
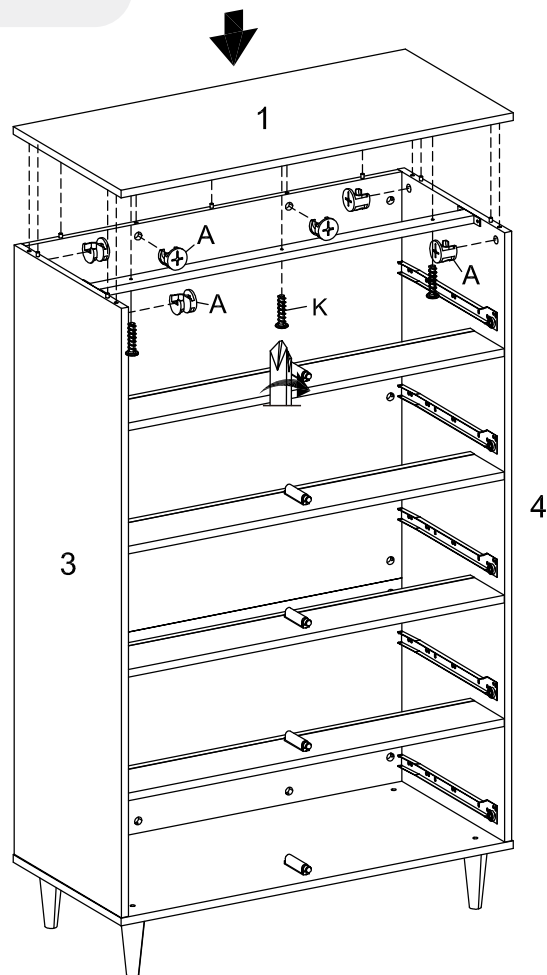
# Step 15

## HARDWARE

<b>A</b>	Cam Lock Ø15 mm	x6
<b>C</b>	Cam Cover Ø17 mm	x6
<b>K</b>	Screw M 10 x 25 mm	x3

## COMPONENTS

<b>1</b>	Top Board	x1
<b>3</b>	Left Side Board	x1
<b>4</b>	Right Side Board	x1
<b>5</b>	Rear Board (Top )	x1



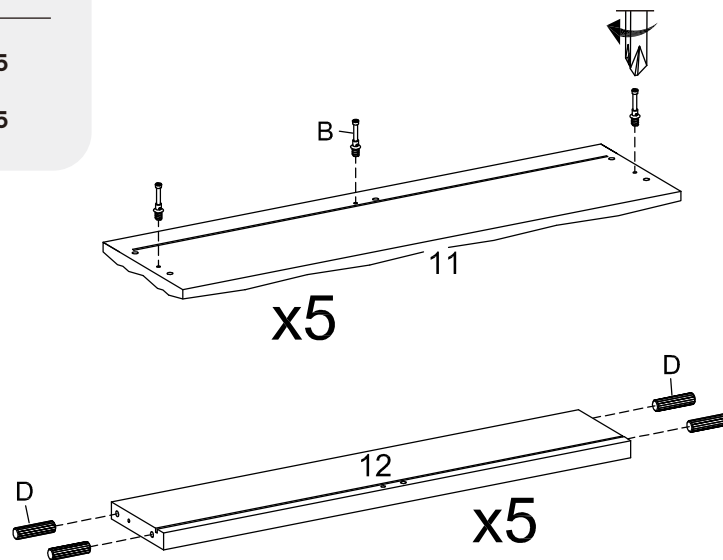
# Step 16

## HARDWARE

- B** Cam Bolt  $\varnothing 7.5 \times 32$  mm x15
- D** Plastic Dowel  $\varnothing 6 \times 30$  mm x20

## COMPONENTS

- 11** Front Drawer Board x5
- 12** Rear Drawer Board x5



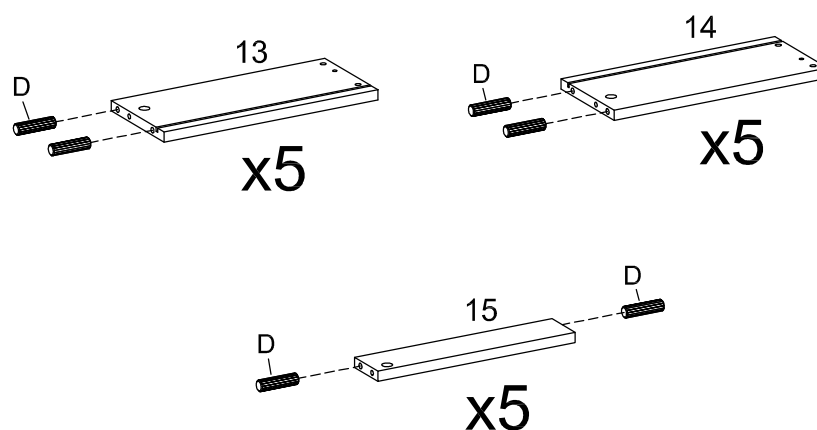
# Step 17

## HARDWARE

- D** Plastic Dowel  $\varnothing 6 \times 30$  mm x30

## COMPONENTS

- 13** Left Drawer Board x5
- 14** Right Drawer Board x5
- 15** Drawer Support Board x5



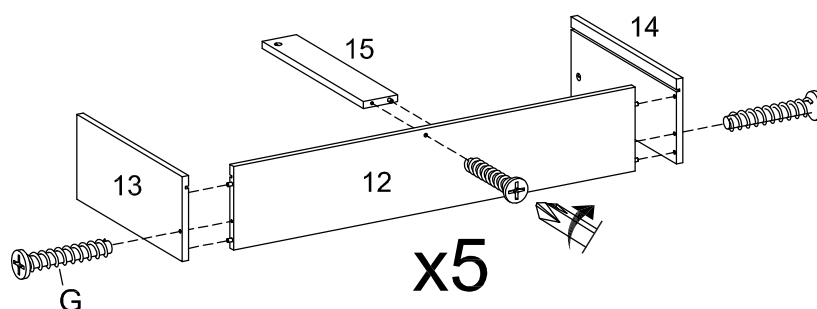
## Step 18

### HARDWARE

- G** Screw M 10 x 33.5 mm x15

### COMPONENTS

- 12** Rear Drawer Board x5
- 13** Left Drawer Board x5
- 14** Right Drawer Board x5
- 15** Drawer Support Board x5



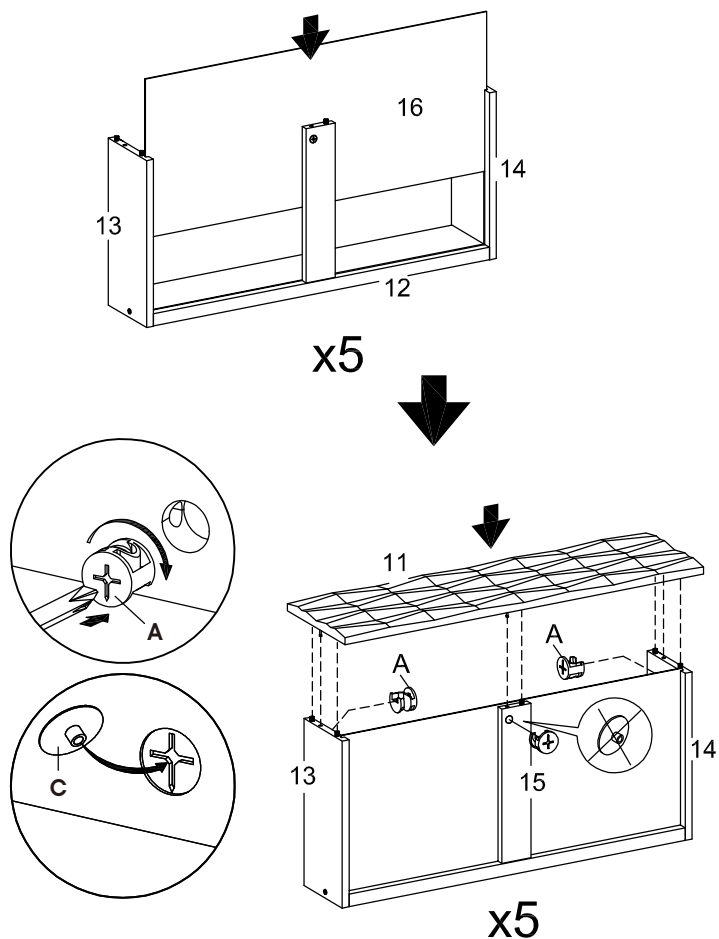
## Step 19

### HARDWARE

- I** Cam Lock Ø12 mm x15
- N** Cam Cover Ø12 mm x10

### COMPONENTS

- 11** Front Drawer Board x5
- 12** Rear Drawer Board x5
- 13** Left Drawer Board x5
- 14** Right Drawer Board x5
- 15** Drawer Support Board x5
- 16** Bottom Drawer Board x5



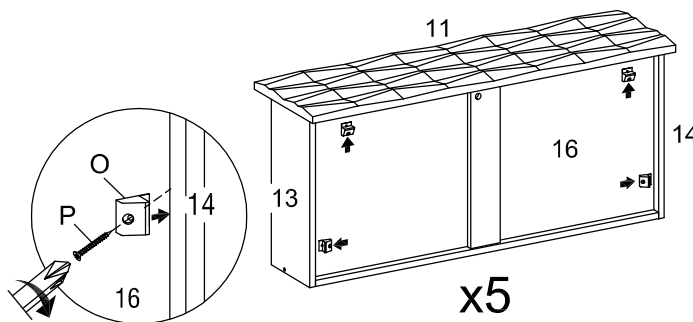
## Step 20

### HARDWARE

- Backply Stopper x20
- P Screw M 4 x 19 mm x20

### COMPONENTS

- 11 Front Drawer Board x5
- 13 Left Drawer Board x5
- 14 Right Drawer Board x5
- 16 Bottom Drawer Board x5



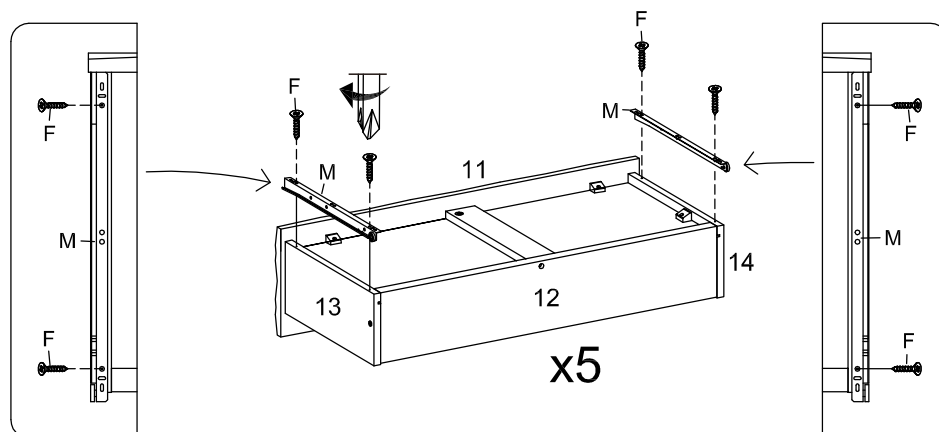
## Step 21

### HARDWARE

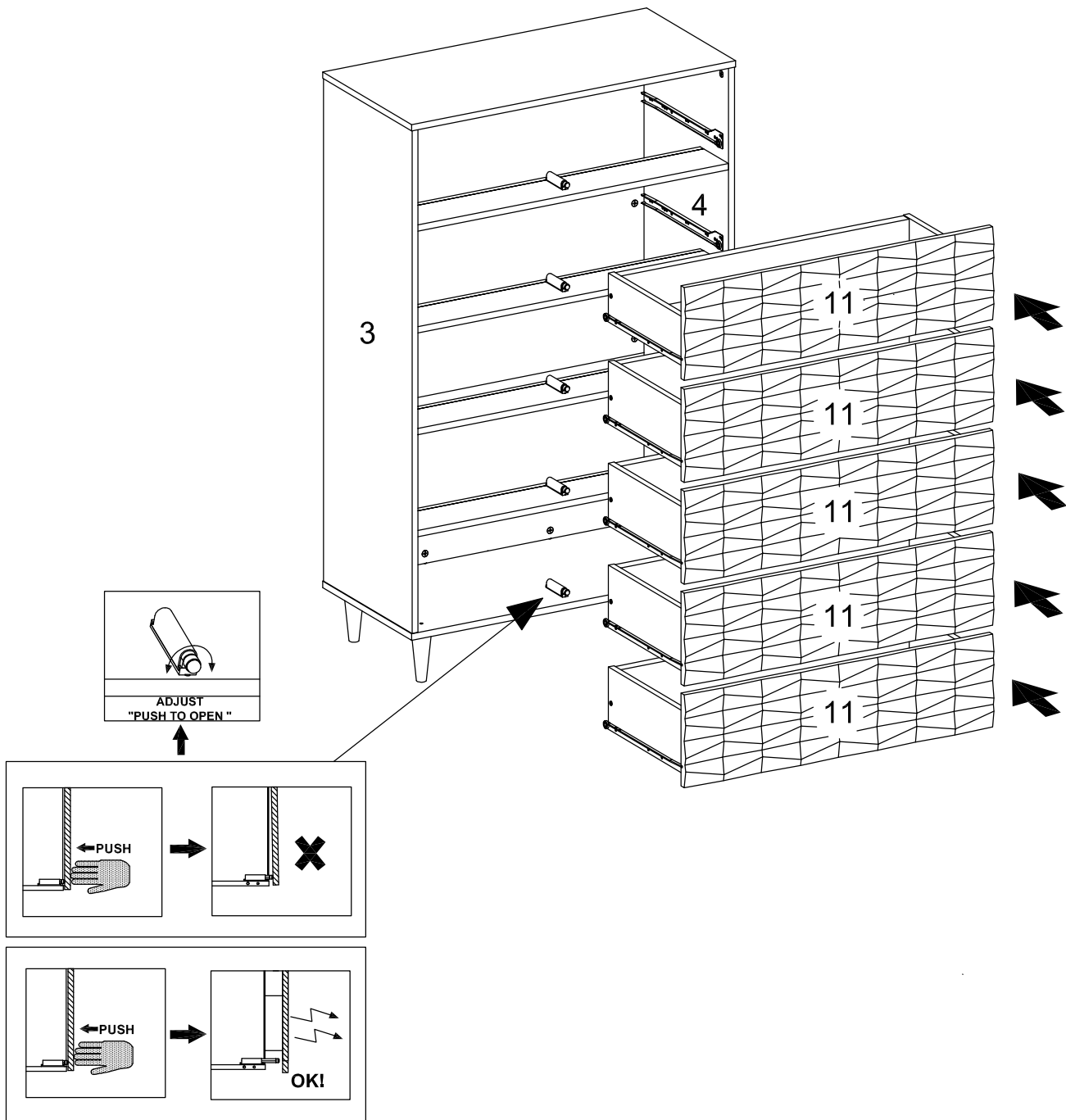
- F Screw M 6 x 13 mm x20
- M Drawer Rails x5

### COMPONENTS

- 13 Left Drawer Board x5
- 14 Right Drawer Board x5



# Step 22



# Great job!

Chest of drawers assembly is complete.

## ♥ CARING FOR YOUR ITEM

Indoor use only.

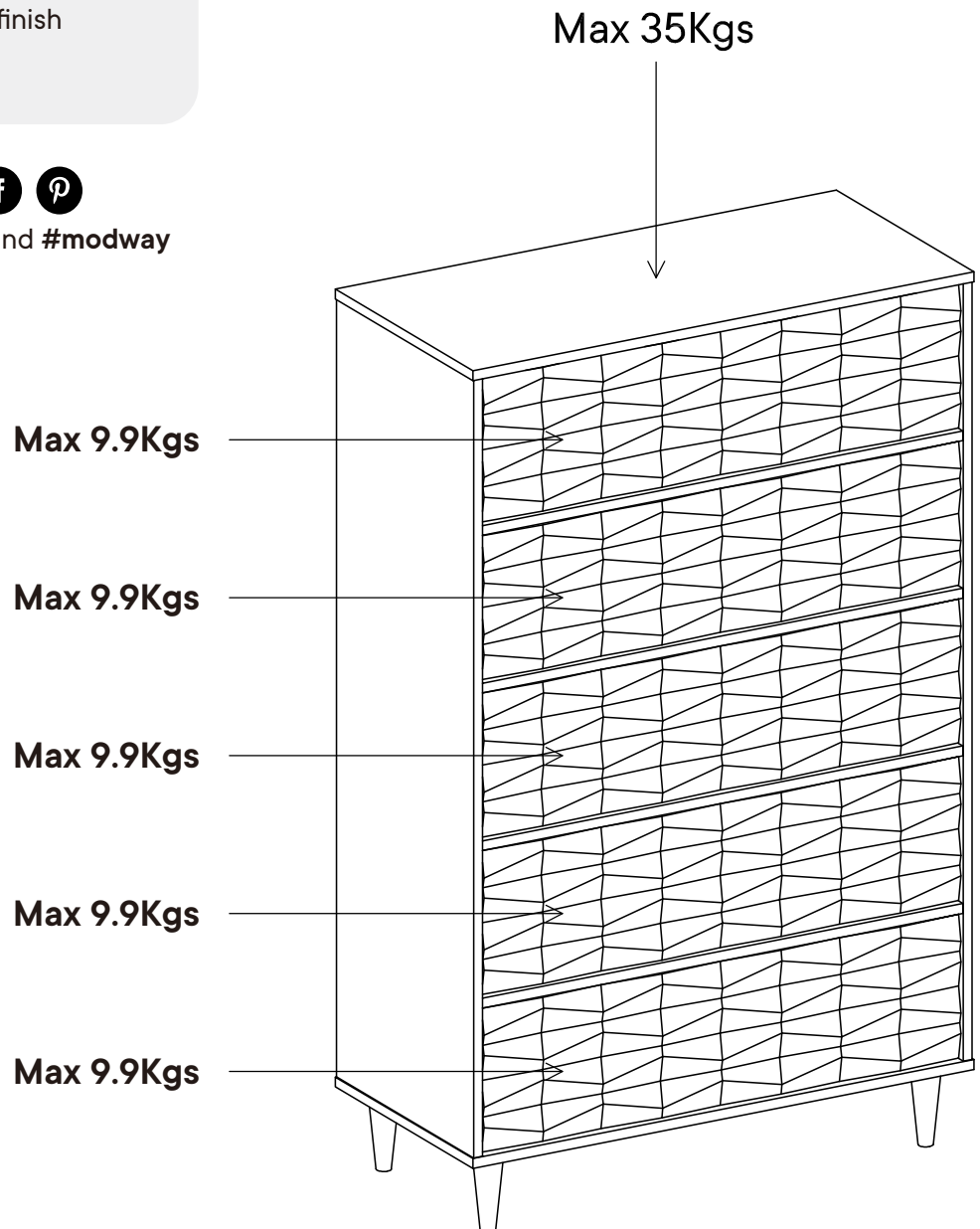
Not contract grade.

Clean using a non-abrasive cloth and a mild cleaner.

Never use harsh chemicals, as they could damage the finish or integrity of the item.

## CONNECT WITH US!

Tag us [@modway\\_furniture](#) and [#modway](#) for a chance to be featured.

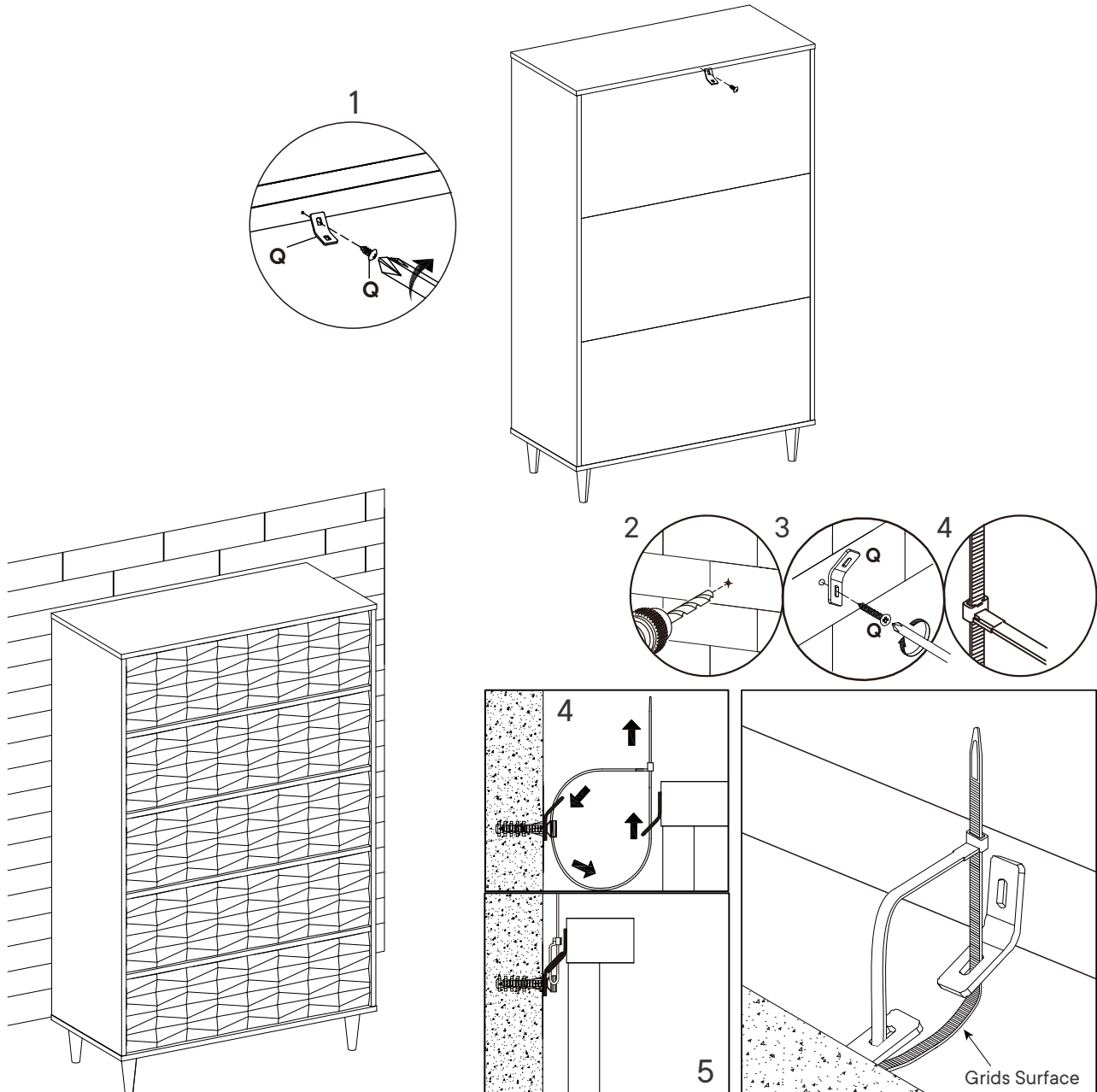
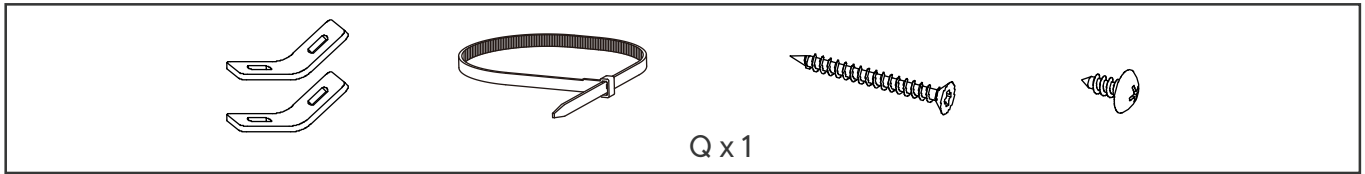




## TIPPING RESTRAINTS KIT INSTALLATION GUIDANCE

Different wall materials require unique wall fasteners.

Please consult your local hardware store to ensure you are using the correct hardware for you wall type.



### **Installation Instructions :**

1. Attach bracket (Q) securely to the back top of the furniture using short screw (Q) provided.
2. Please make a hole on the wall for attach the bracket (Q) to the back of unit.
3. Attach bracket (Q) on the wall using long screw (Q) as shown.  
Locate the other bracket (Q) on the wall. Place furniture into position so both brackets (Q) as shown.
4. Lace the end of the restrains strap through the larger hole in each bracket. Ensure the restrains strap with grids surface facing the inner loops. Bring both ends together and slide the flat end through the locking end and draw it through until all slack is removed.
5. Make sure that the strap is securely laced & locked.