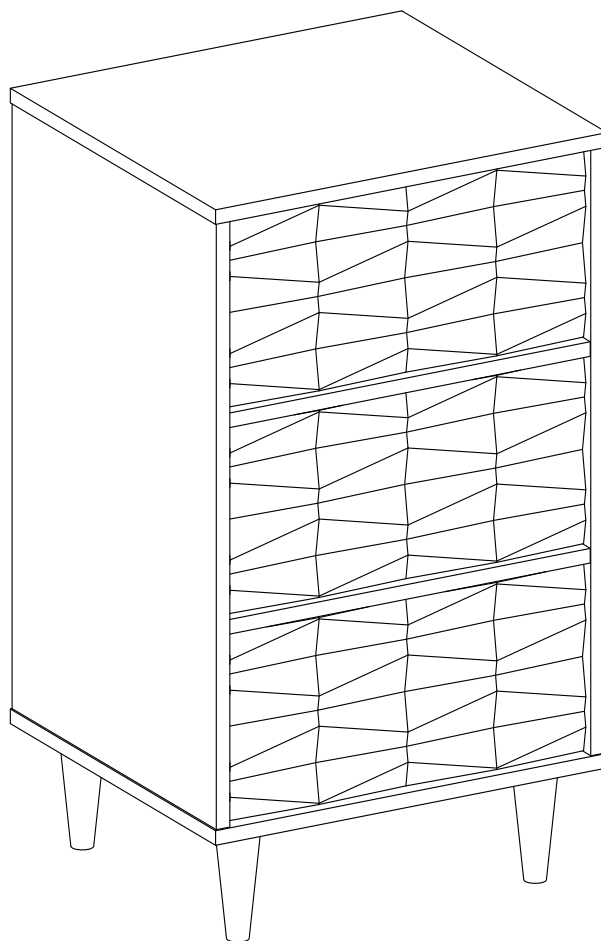


ASSEMBLY INSTRUCTIONS

MOD-7081

V0.02.02.23



Questions? Contact us!

609.256.9000 • cs@modway.com
www.modway.com

***modway**

Let's get started!

*modway



Read through all of the instructions before starting



Care instructions are listed in the last step of this manual



Approx. 60 minutes assembly time



Make sure you have all parts and components before discarding any packing materials



2 people recommended for assembly

Only use hand tools to assemble this item. Do not use power tools. Do not tighten bolts or screws completely until all hardware is lined up and inserted into the holes.

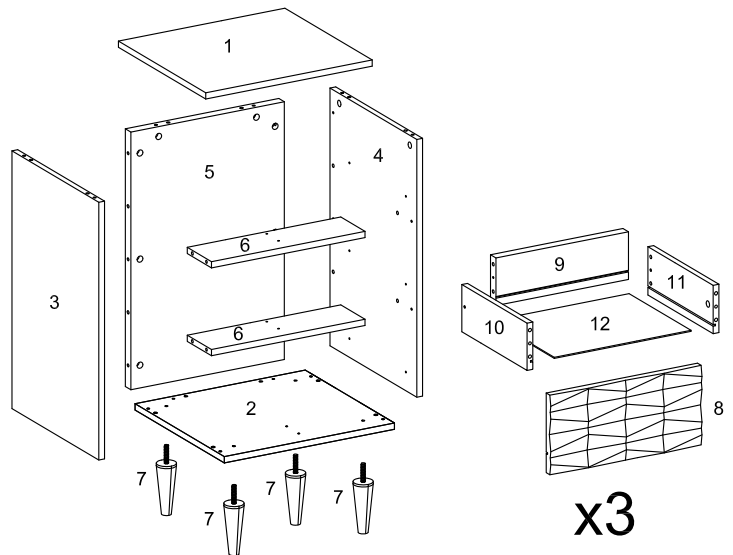
Do not over-tighten screws and bolts to avoid stripping the hardware or cracking the item.

Assemble your item on a flat, carpeted area, with plenty of space to work. This will prevent damage and scratches to your floors or the item while you're assembling the product.

Keep all components and packaging out of reach of children or animals to avoid risk of choking or suffocation.

Furniture components:

1	Top Board	x1	7	Leg	x4
2	Bottom Board	x1	8	Drawer Front Board	x3
3	Left Side Board	x1	9	Drawer Back Board	x3
4	Right Side Board	x1	10	Drawer Left Board	x3
5	Back Board	x1	11	Drawer Right Board	x3
6	Middle Support	x2	12	Drawer Bottom Board	x3



Provided hardware:

A		Cam Lock Ø15 mm	x16
B		Cam Bolt Ø7.5 x 32 mm	x22
C		Cam Cover Ø17 mm	x8
D		Plastic Dowel Ø6 x 30 mm	x44
E		Screw M 6 x 8 mm	x18
F		Screw M 6 x 13 mm	x18
G		Screw M 10 x 33.5 mm	x12
H		Sleeve Nut	x4
I		Allen Key	x1
J		Push to Open	x3
K		Cam Lock Ø12 mm	x6
L		Cam Cover Ø15 mm	x6
M		Drawer Runner	x3
N		Anti Tipping Set	x1
O		Backply Stopper	x12
P		Screw M 4 x 19 mm	x12

What you need:

Phillips Head Screwdriver

Wait!

Missing parts or hardware? Need assistance?

Contact us before returning your item. We're here to help!

609.256.9000 • cs@modway.com

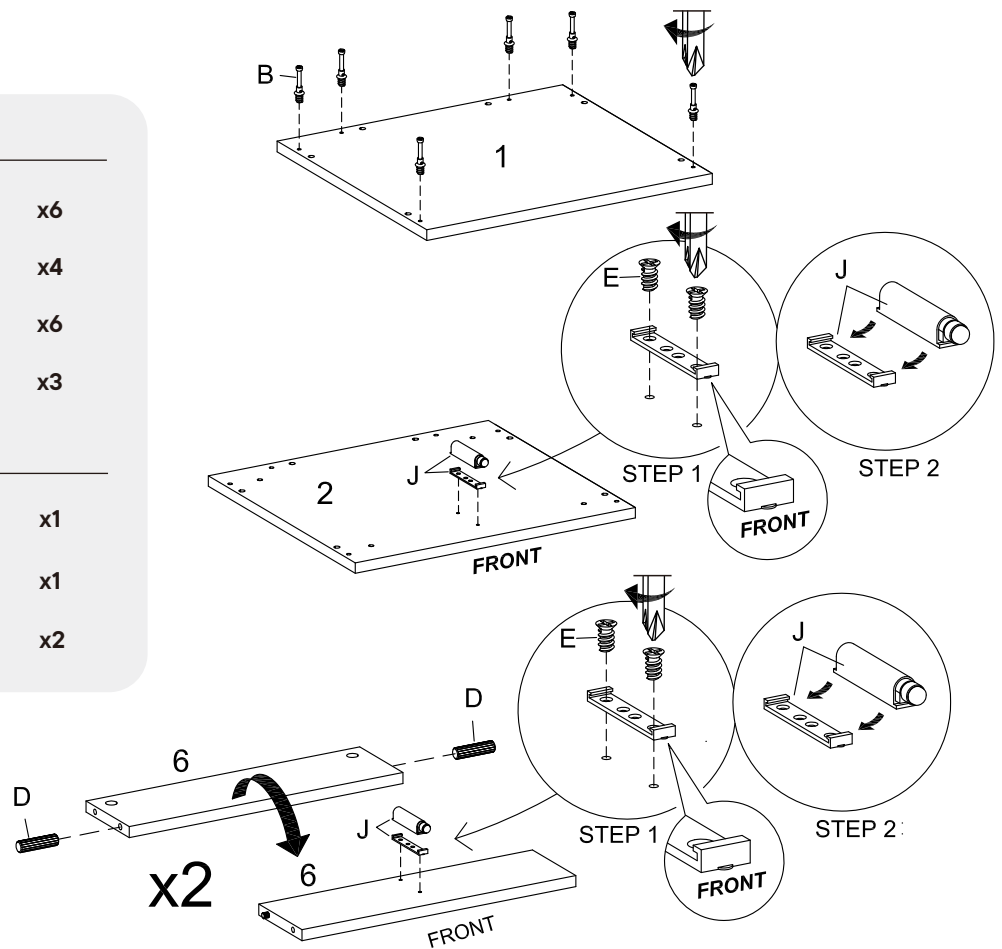
Step 1

HARDWARE

B	Cam Bolt $\varnothing 7.5 \times 32$ mm	x6
D	Plastic Dowel $\varnothing 6 \times 30$ mm	x4
E	Screw M 6 x 8 mm	x6
J	Push to Open	x3

COMPONENTS

1	Top Board	x1
2	Bottom Board	x1
6	Middle Support	x2



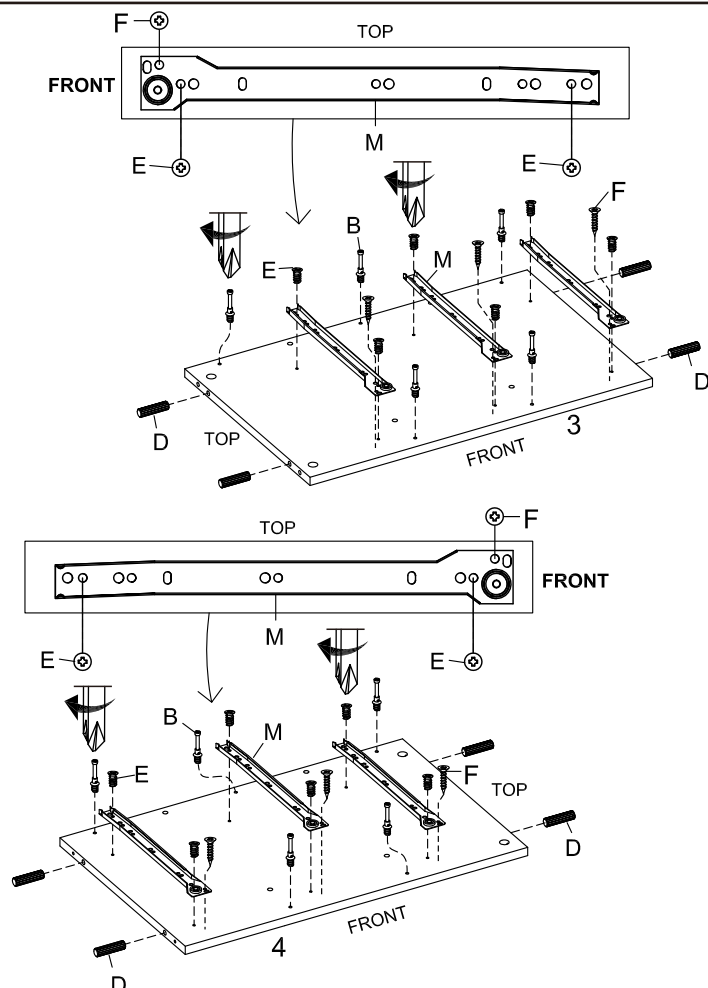
Step 2

HARDWARE

B	Cam Bolt $\varnothing 7.5 \times 32$ mm	x10
D	Plastic Dowel $\varnothing 6 \times 30$ mm	x8
E	Screw M 6 x 8 mm	x12
F	Screw M 6 x 13 mm	x6
M	Drawer Runner	x3

COMPONENTS

3	Left Side Board	x1
4	Right Side Board	x1



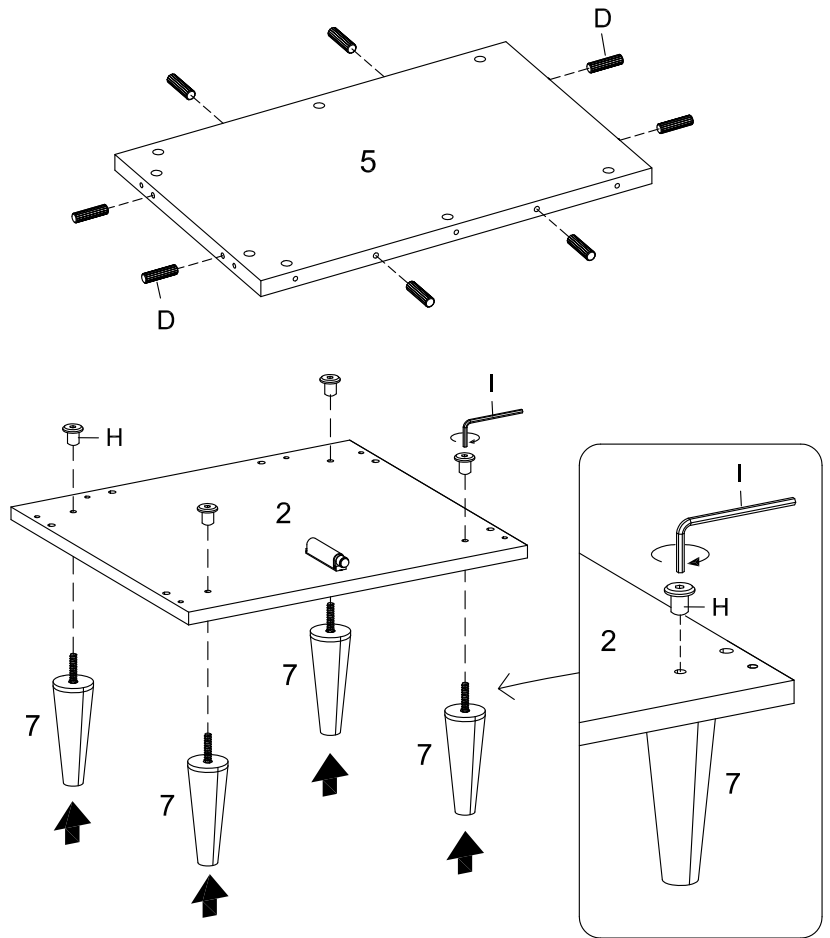
Step 3

HARDWARE

- D** Plastic Dowel Ø6 x 30 mm x8
- H** Sleeve Nut x4
- I** Allen Key x1

COMPONENTS

- 2** Bottom Board x1
- 5** Back Board x1
- 7** Leg x4



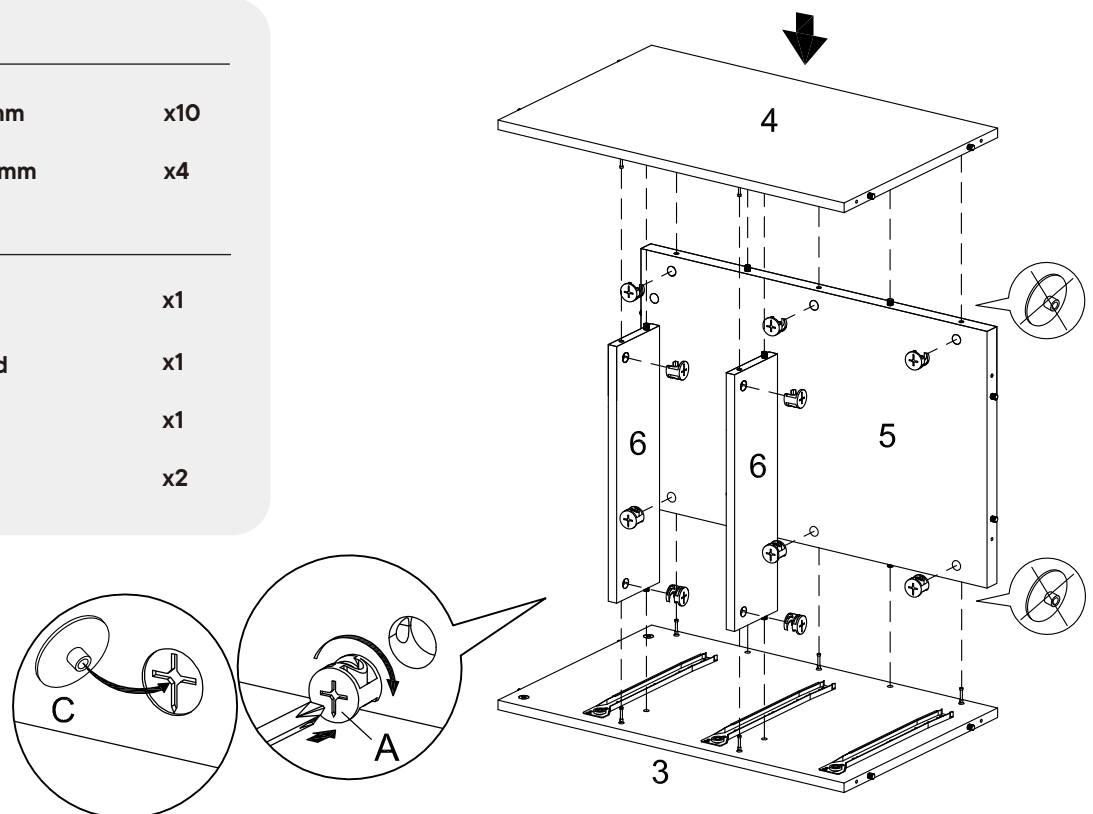
Step 4

HARDWARE

- A** Cam Lock Ø15 mm x10
- C** Cam Cover Ø17 mm x4

COMPONENTS

- 3** Left Side Board x1
- 4** Right Side Board x1
- 5** Back Board x1
- 6** Middle Support x2



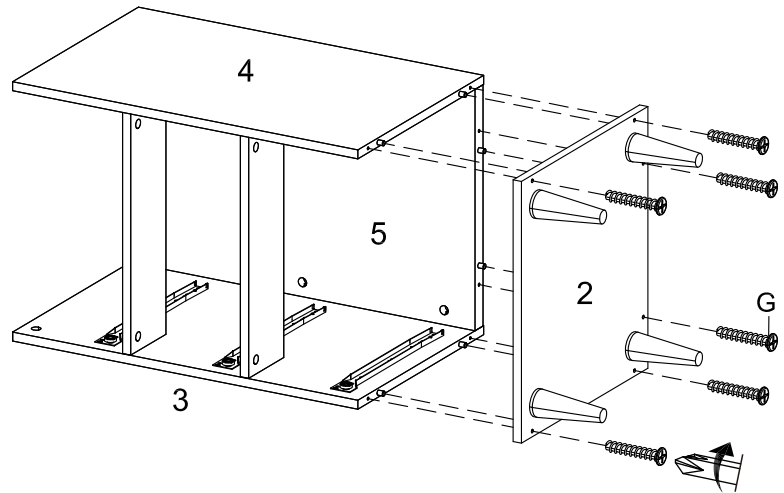
Step 5

HARDWARE

- H** Screw M 10 x 33.5 mm x6

COMPONENTS

- 2** Bottom Board x1
3 Left Side Board x1
4 Right Side Board x1
5 Back Board x1



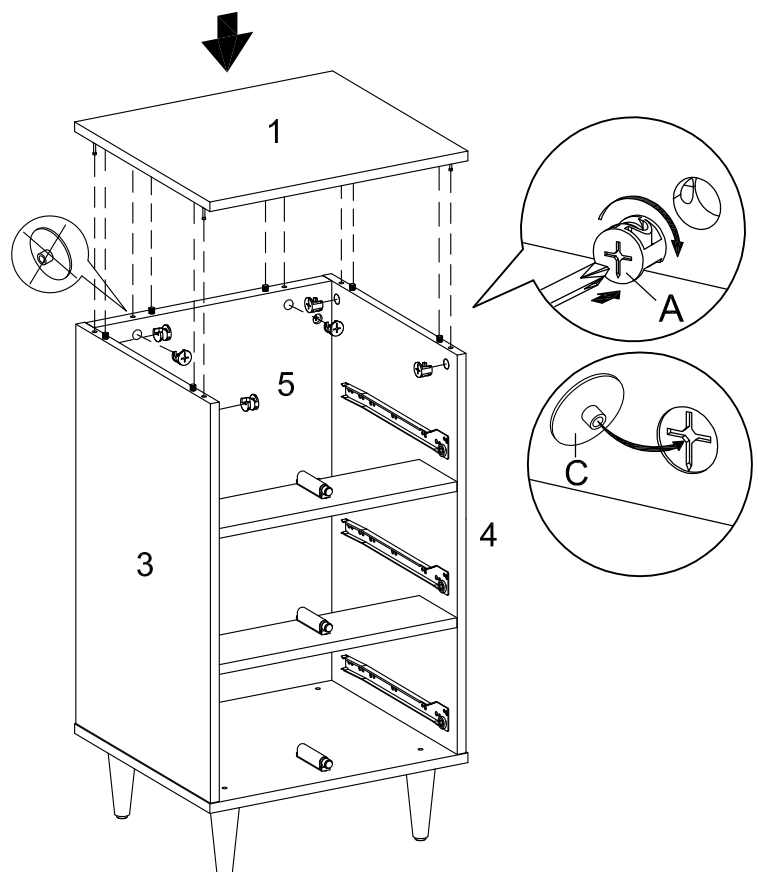
Step 6

HARDWARE

- A** Cam Lock Ø15 mm x6
C Cam Cover Ø17 mm x4

COMPONENTS

- 1** Top Board x1
3 Left Side Board x1
4 Right Side Board x1
5 Back Board x1



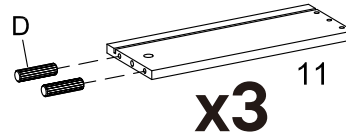
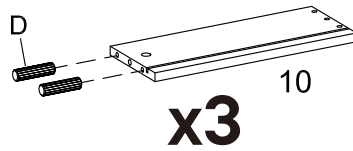
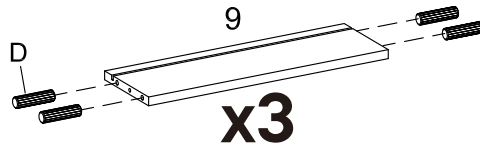
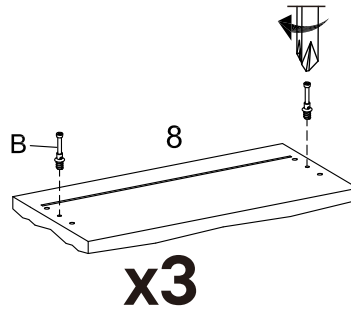
Step 7

HARDWARE

- B** Cam Bolt $\varnothing 7.5 \times 32$ mm x6
- D** Plastic Dowel $\varnothing 6 \times 30$ mm x24

COMPONENTS

- 8** Drawer Front Board x3
- 9** Drawer Back Board x3
- 10** Drawer Left Board x3
- 11** Drawer Right Board x3



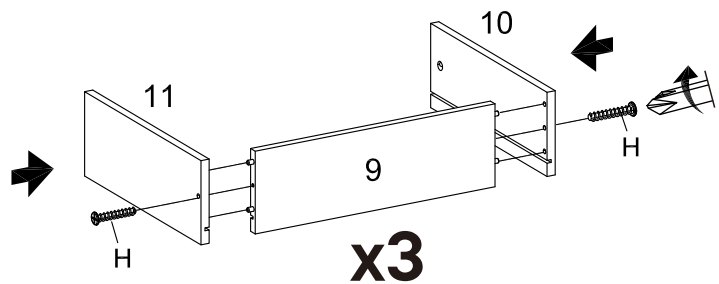
Step 8

HARDWARE

- H** Screw M 10 x 33.5 mm x6

COMPONENTS

- 9** Drawer Back Board x3
- 10** Drawer Left Board x3
- 11** Drawer Right Board x3



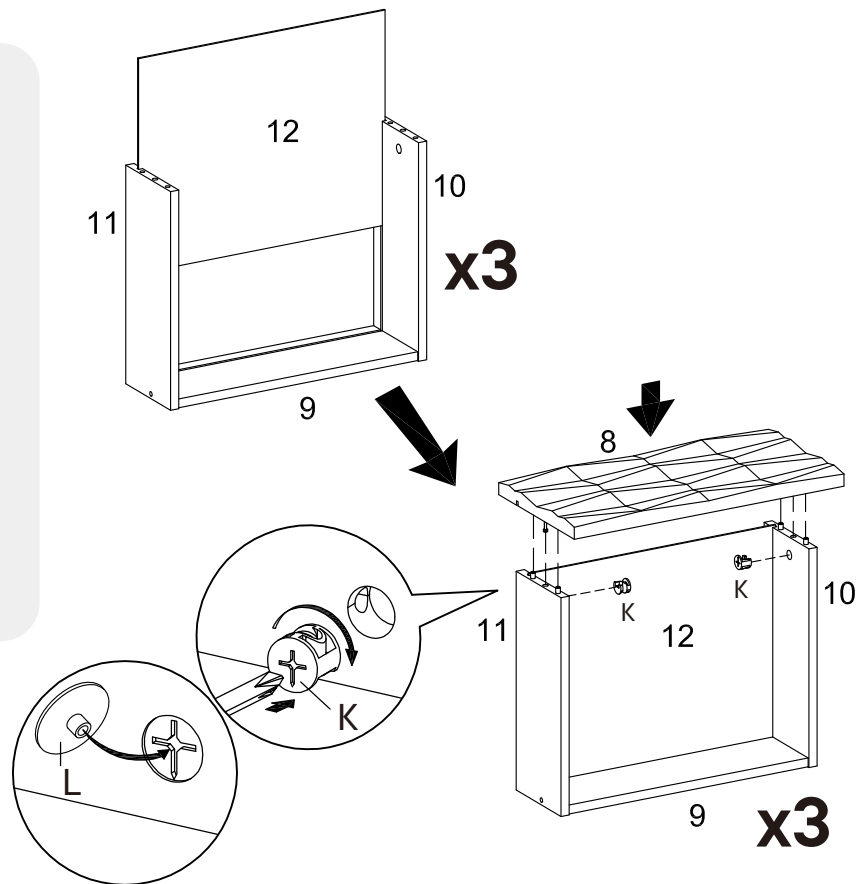
Step 9

HARDWARE

- K** Cam Lock Ø12 mm x6
- L** Cam Cover Ø15 mm x6

COMPONENTS

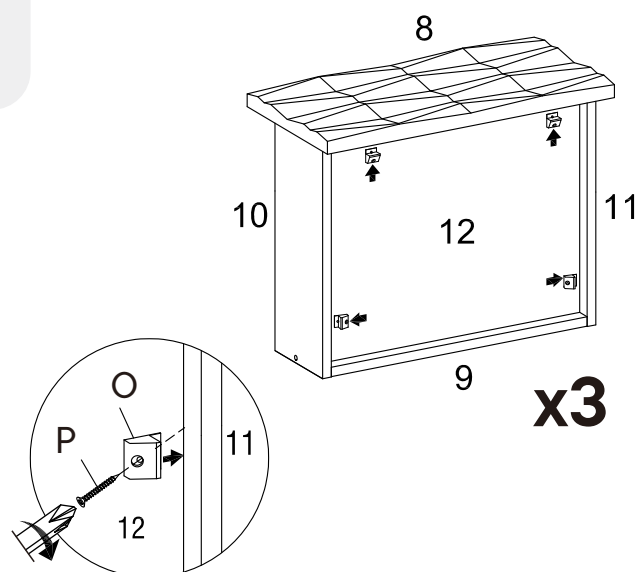
- 8** Drawer Front Board x3
- 9** Drawer Back Board x3
- 10** Drawer Left Board x3
- 11** Drawer Right Board x3
- 12** Drawer Bottom Board x3



Step 10

HARDWARE

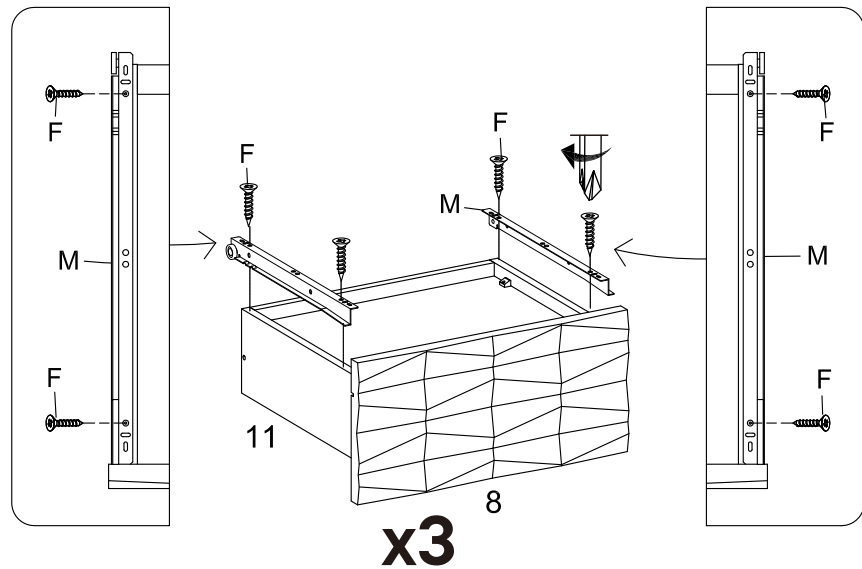
- O** Screw M 4 x 19 mm x12
- P** Backply Stopper x12



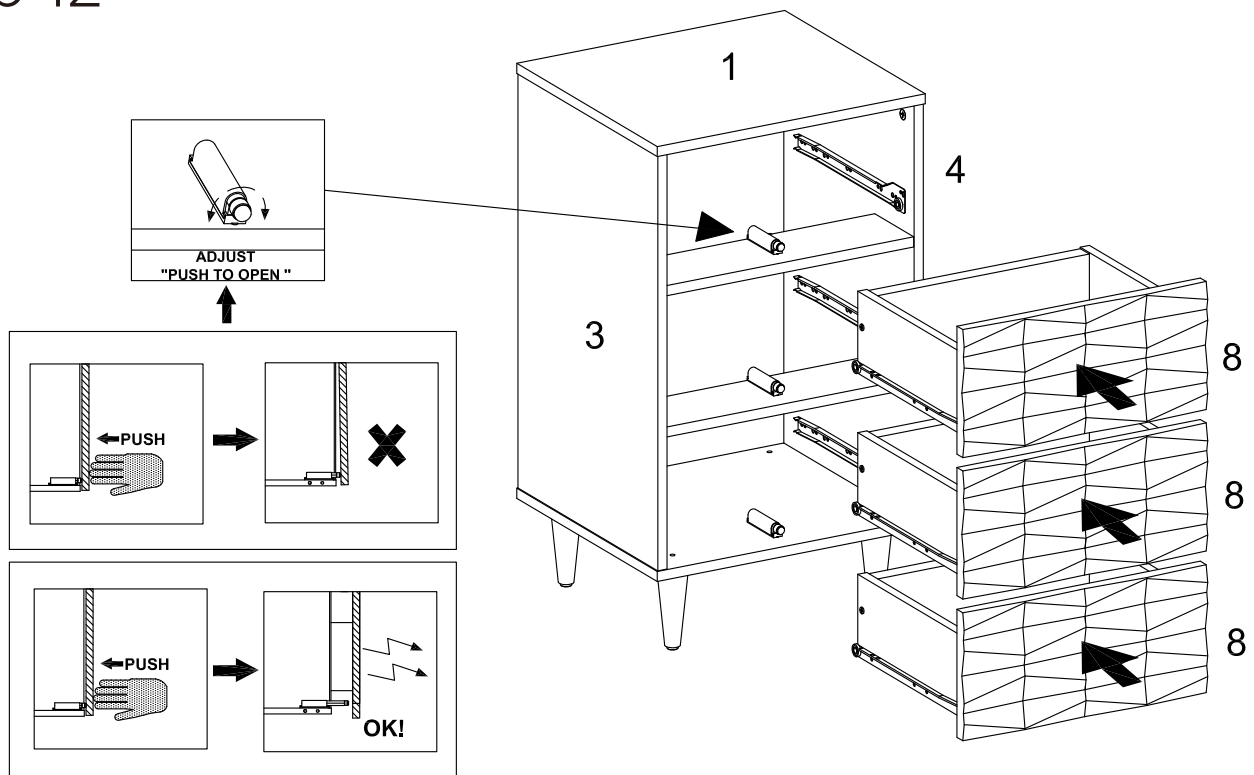
Step 11

HARDWARE

- F** Screw M 6 x 13 mm x12
- M** Drawer Runner x3



Step 12



Great job!

Nightstand assembly is complete

♥ CARING FOR YOUR ITEM

Indoor use only.

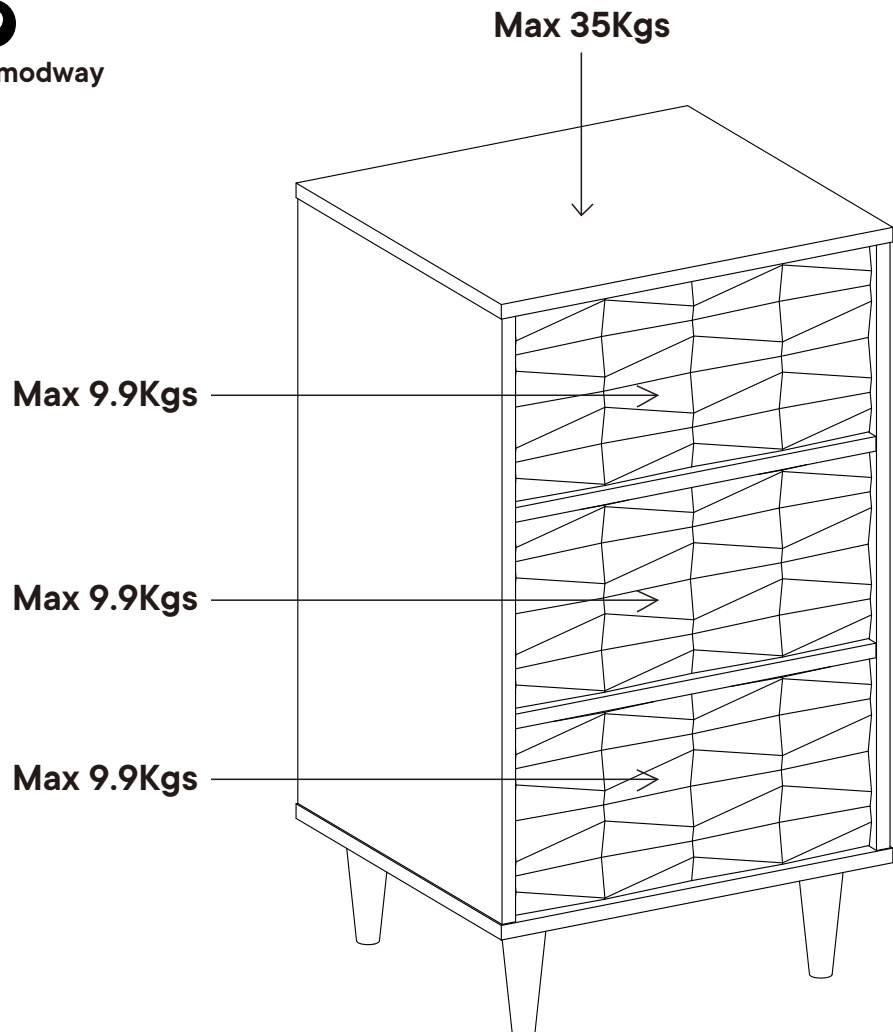
Not contract grade.

Clean using a non-abrasive cloth and a mild cleaner.

Never use harsh chemicals, as they could damage the finish or integrity of the item.

CONNECT WITH US!

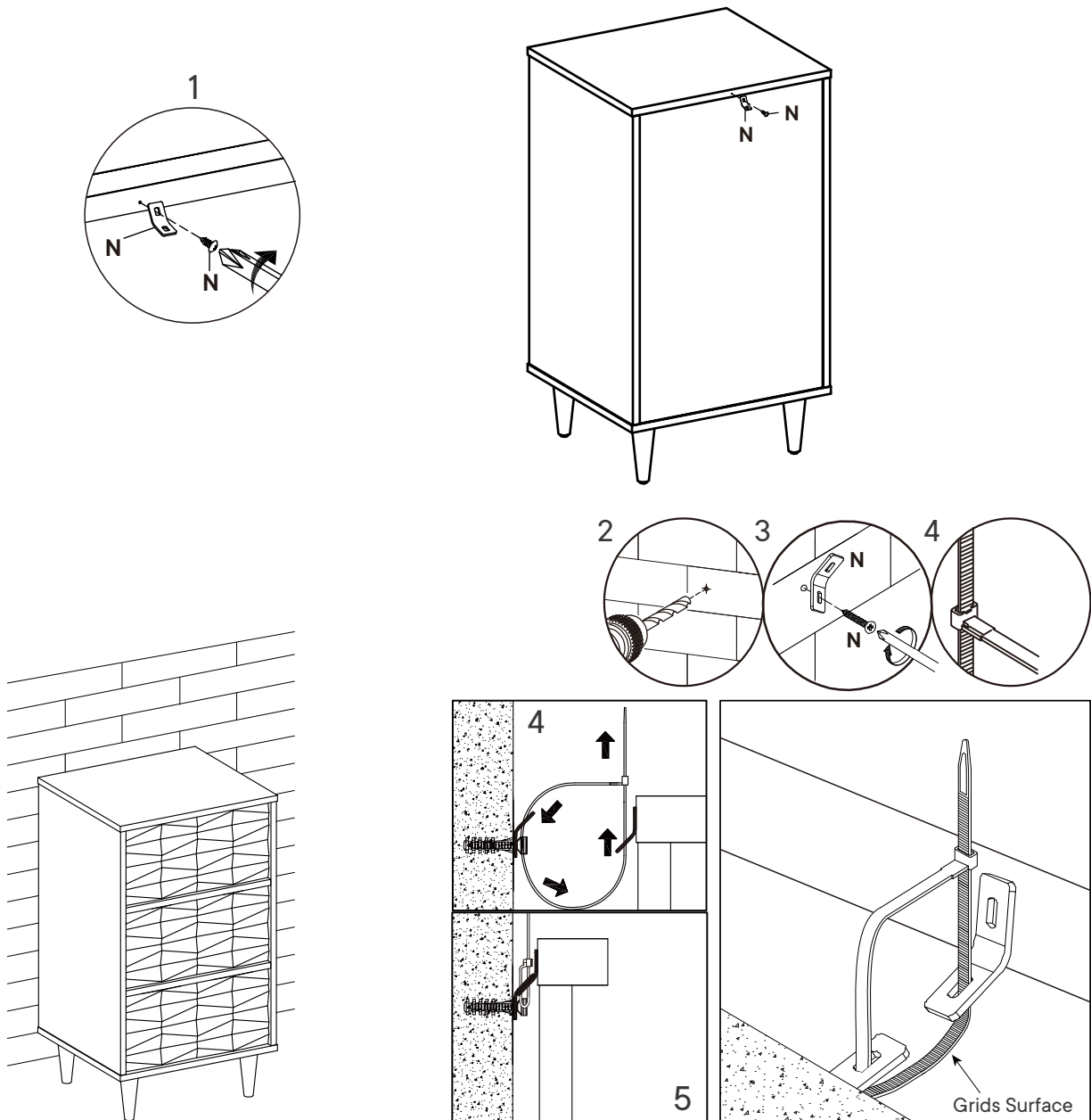
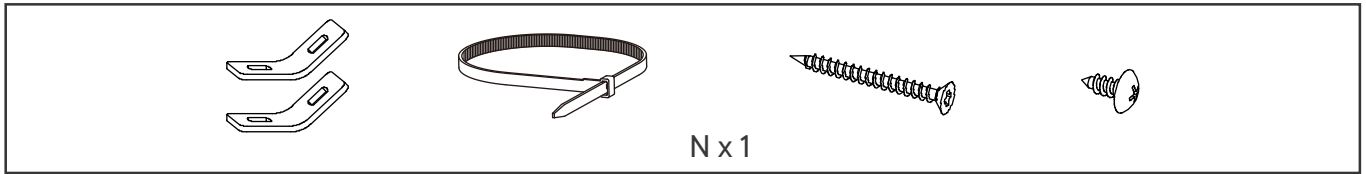
Tag us @modway_furniture and #modway for a chance to be featured.



TIPPING RESTRAINTS KIT INSTALLATION GUIDANCE

Different wall materials require unique wall fasteners.

Please consult your local hardware store to ensure you are using the correct hardware for you wall type.



Installation Instructions :

1. Attach bracket (N) securely to the back top of the furniture using short screw (N) provided.
2. Please make a hole on the wall for attach the bracket (N) to the back of unit.
3. Attach bracket (N) on the wall using long screw (N) as shown.
Locate the other bracket (N) on the wall. Place furniture into position so both brackets (N) as shown.
4. Lace the end of the restrains strap through the larger hole in each bracket. Ensure the restrains strap with grids surface facing the inner loops. Bring both ends together and slide the flat end through the locking end and draw it through until all slack is removed.
5. Make sure that the strap is securely laced & locked.