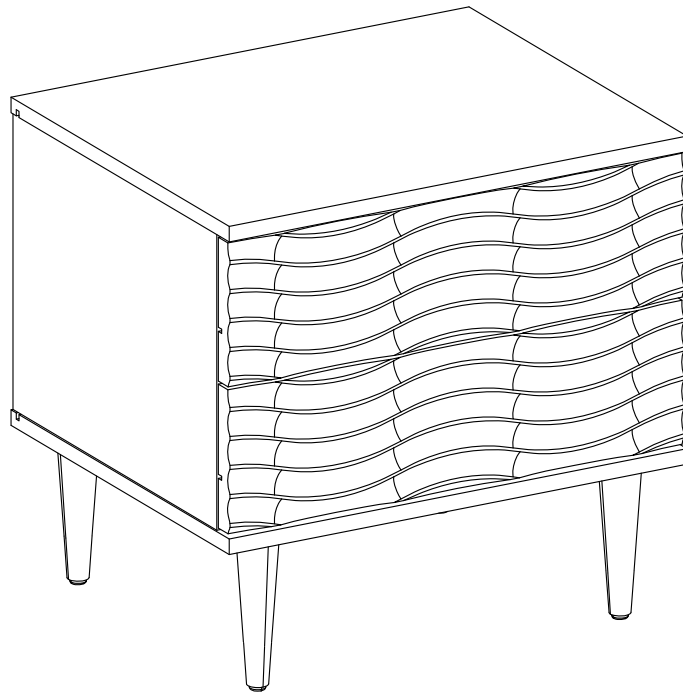


ASSEMBLY INSTRUCTIONS

MOD-7079

V0.02.02.23



Questions? Contact us!

609.256.9000 • cs@modway.com
www.modway.com

*modway

Let's get started!

*modway



Read through all of the instructions before starting



Care instructions are listed in the last step of this manual



Approx. 60 minutes assembly time



Make sure you have all parts and components before discarding any packing materials



2 people recommended for assembly

Only use hand tools to assemble this item. Do not use power tools. Do not tighten bolts or screws completely until all hardware is lined up and inserted into the holes.

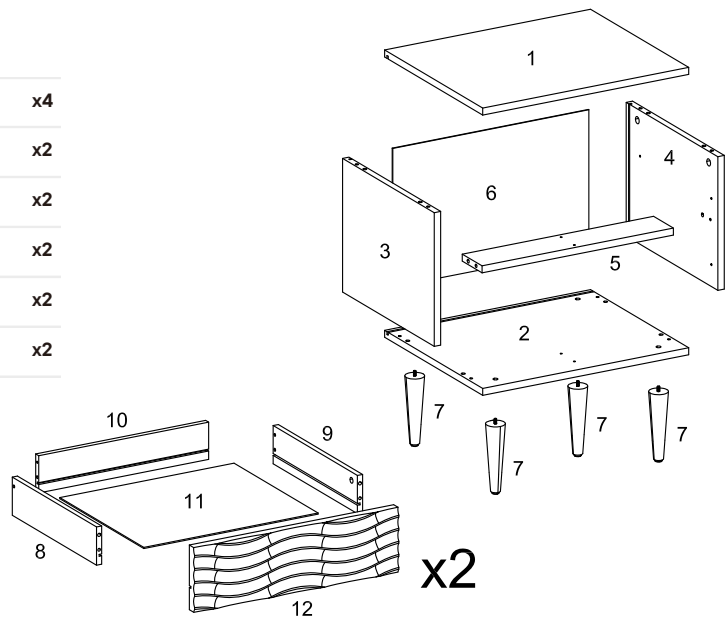
Do not over-tighten screws and bolts to avoid stripping the hardware or cracking the item.

Assemble your item on a flat, carpeted area, with plenty of space to work. This will prevent damage and scratches to your floors or the item while you're assembling the product.

Keep all components and packaging out of reach of children or animals to avoid risk of choking or suffocation.

Furniture components:

1	Top Board	x1	7	Leg	x4
2	Bottom Board	x1	8	Drawer Left Board	x2
3	Left Side Board	x1	9	Drawer Right Board	x2
4	Right Side Board	x1	10	Drawer Back Board	x2
5	Middle Support	x1	11	Drawer Bottom Board	x2
6	Backboard	x1	12	Drawer Front Board	x2



Provided hardware:

A		Cam Lock Ø15 mm	x6
B		Cam Bolt Ø7.5 x 32 mm	x10
C		Cam Cover Ø17 mm	x6
D		Plastic Dowel Ø6 x 30 mm	x18
E		Screw M 6 x 8 mm	x12
F		Screw M 6 x 13 mm	x8
G		Screw M 4 x 19 mm	x18
H		Screw M 10 x 33.5 mm	x8

I		Sleeve Nut	x4
J		Backply Stopper	x18
K		Push to Open	x2
L		Allen Key	x1
M		Drawer Runner	x2
N		Cam Lock Ø12 mm	x4
O		Cam Cover Ø15 mm	x4

What you need:



Wait! Missing parts or hardware? Need assistance?
Contact us before returning your item. We're here to help!
609.256.9000 • cs@modway.com

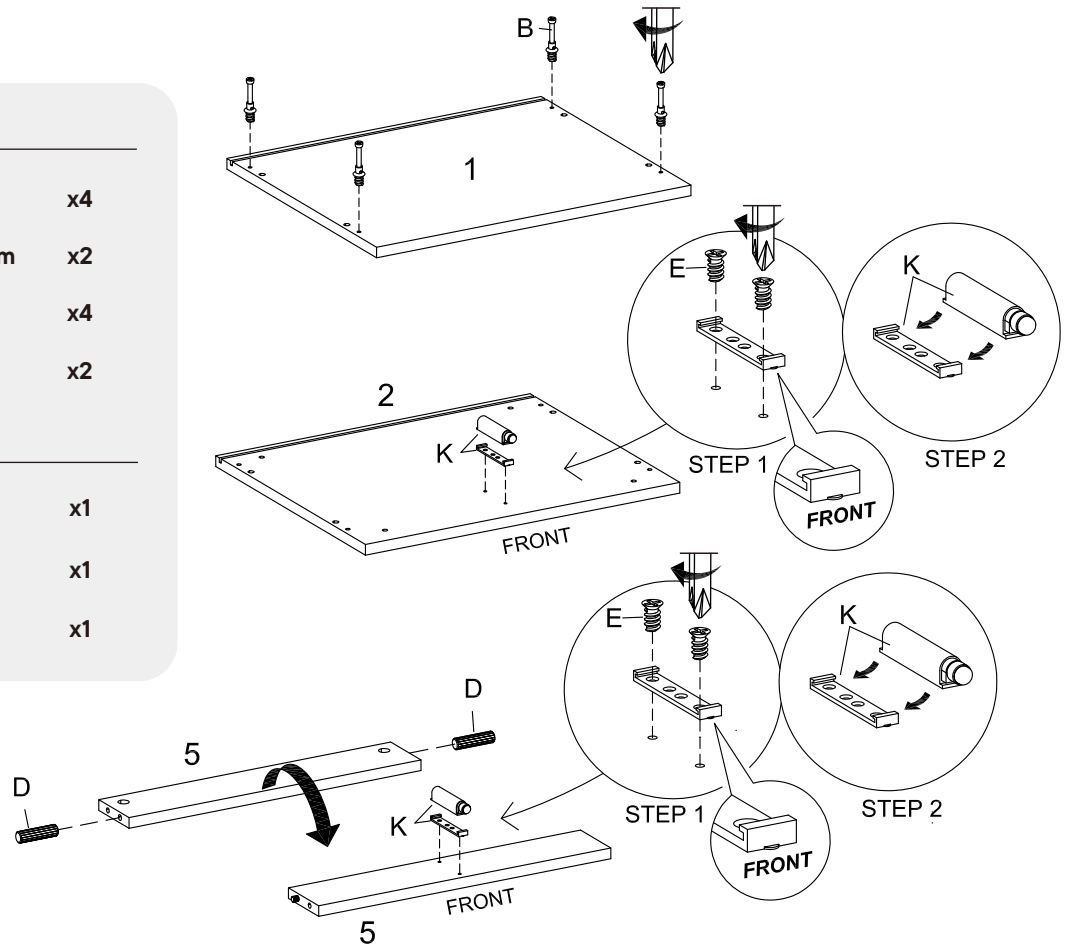
Step 1

HARDWARE

- B** Cam Bolt $\varnothing 7.5 \times 32$ mm x4
- D** Plastic Dowel $\varnothing 6 \times 30$ mm x2
- E** Screw M 6 x 8 mm x4
- K** Push to Open x2

COMPONENTS

- 1** Top Board x1
- 2** Bottom Board x1
- 5** Middle Support x1



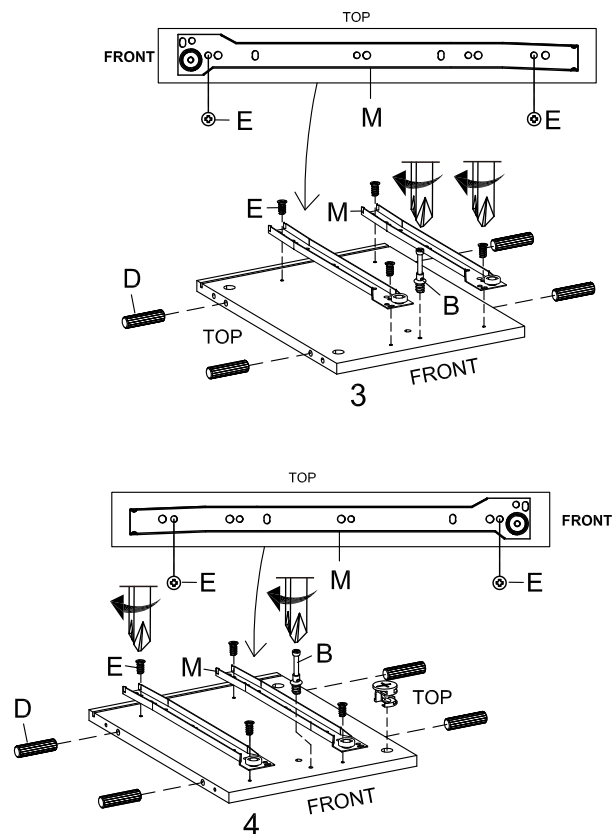
Step 2

HARDWARE

- B** Cam Bolt $\varnothing 7.5 \times 32$ mm x2
- D** Plastic Dowel $\varnothing 6 \times 30$ mm x8
- E** Screw M 6 x 8 mm x8
- M** Drawer Runner x2

COMPONENTS

- 3** Left Side Board x1
- 4** Right Side Board x1



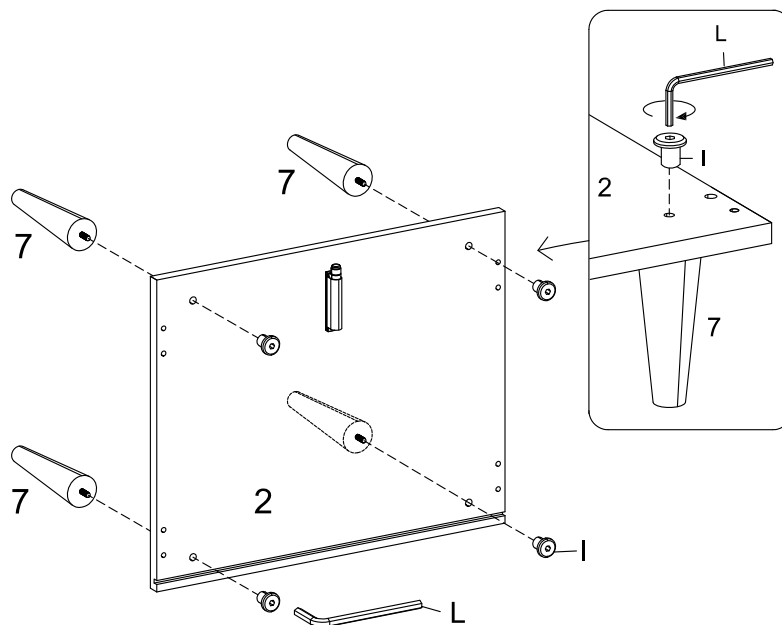
Step 3

HARDWARE

- I** Sleeve Nut x4
- L** Allen Key x1

COMPONENTS

- 2** Bottom Board x1
- 7** Leg x4



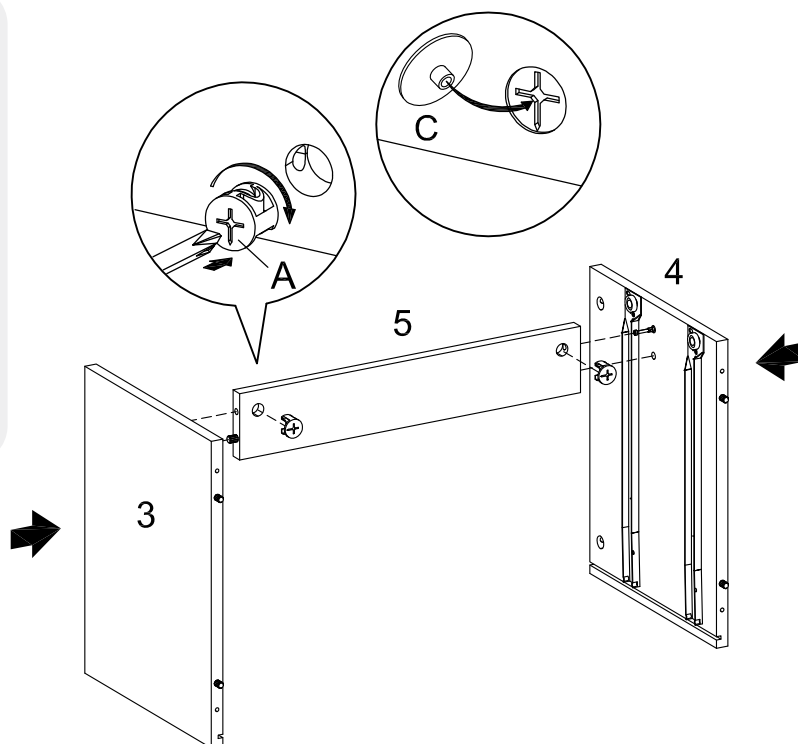
Step 4

HARDWARE

- A** Cam Lock Ø15 mm x2
- C** Cam Cover Ø17 mm x2

COMPONENTS

- 3** Left Side Board x1
- 4** Right Side Board x1
- 5** Middle Support x1



Step 5

HARDWARE

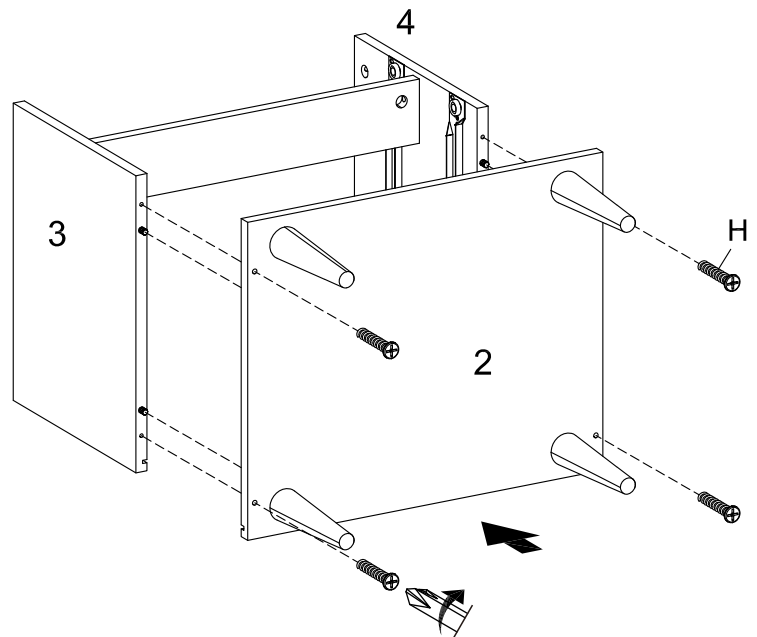
H Screw M 10 x 33.5 mm x4

COMPONENTS

2 Bottom Board x1

3 Left Side Board x1

4 Right Side Board x1



Step 6

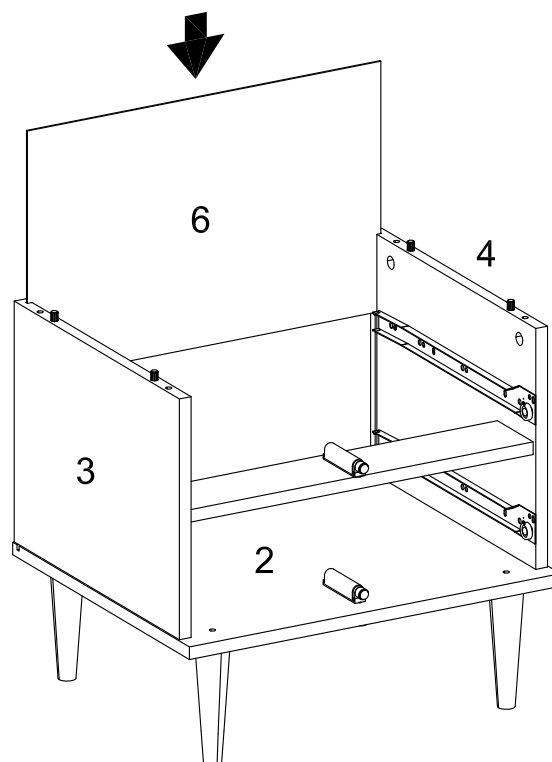
COMPONENTS

2 Bottom Board x1

3 Left Side Board x1

4 Right Side Board x1

6 Backboard x1



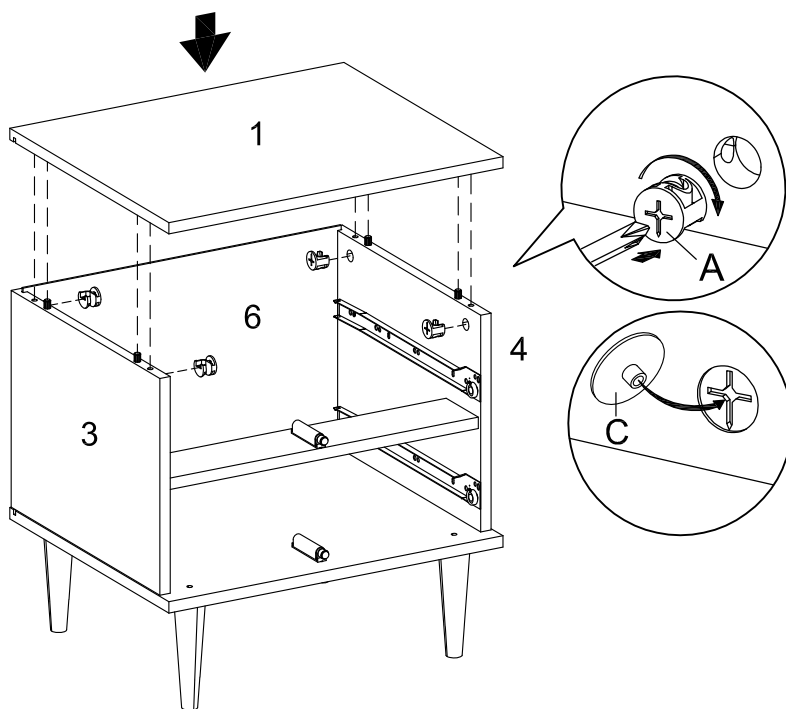
Step 7

HARDWARE

- A** Cam Lock Ø15 mm x4
- C** Cam Cover Ø17 mm x4

COMPONENTS

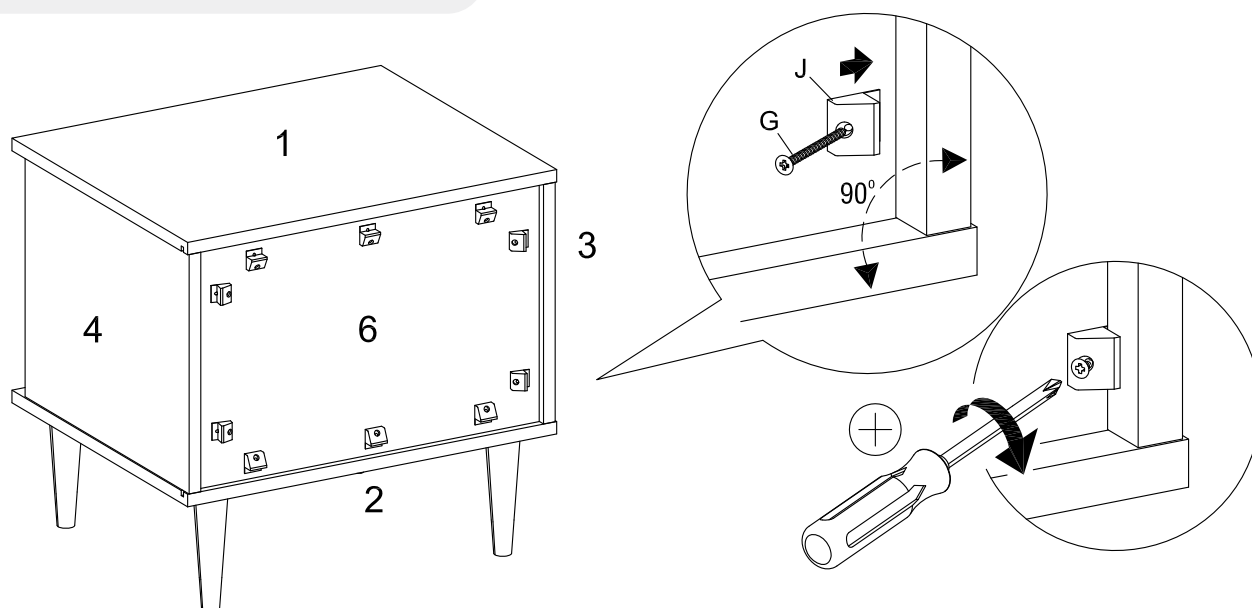
- 1** Top Board x1
- 3** Left Side Board x1
- 4** Right Side Board x1



Step 8

HARDWARE

- G** Screw M 4 x 19 mm x10
- J** Backply Stopper x10



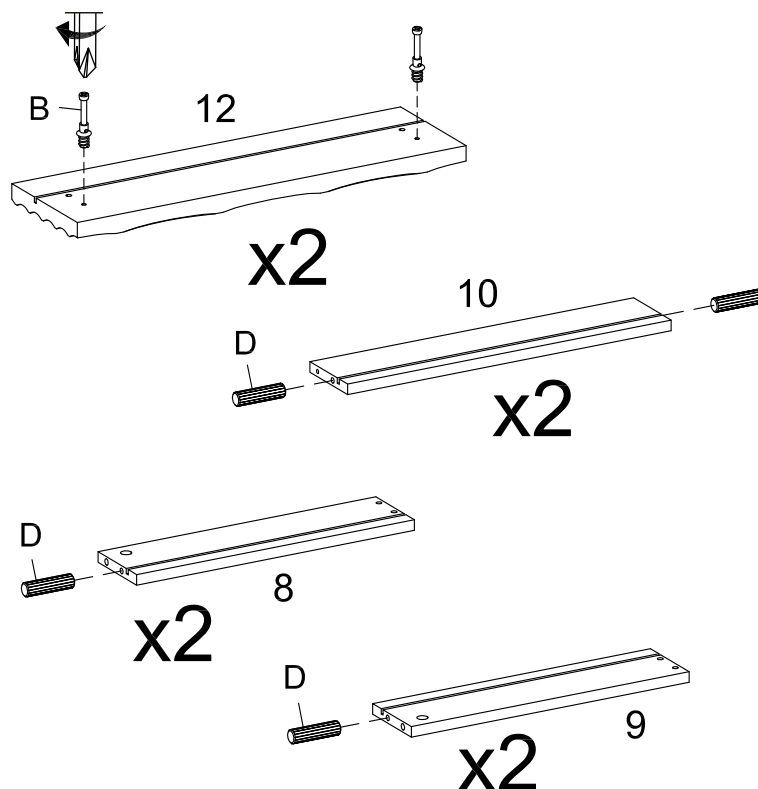
Step 9

HARDWARE

- B** Cam Bolt $\varnothing 7.5 \times 32$ mm x4
- D** Plastic Dowel $\varnothing 6 \times 30$ mm x8

COMPONENTS

- 8** Drawer Left Board x2
- 9** Drawer Right Board x2
- 10** Drawer Back Board x2
- 12** Drawer Front Board x2



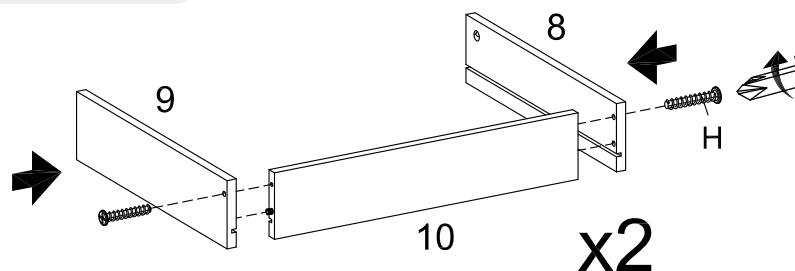
Step 10

HARDWARE

- H** Screw M 10 x 33.5 mm x4

COMPONENTS

- 8** Drawer Left Board x2
- 9** Drawer Right Board x2
- 10** Drawer Back Board x2



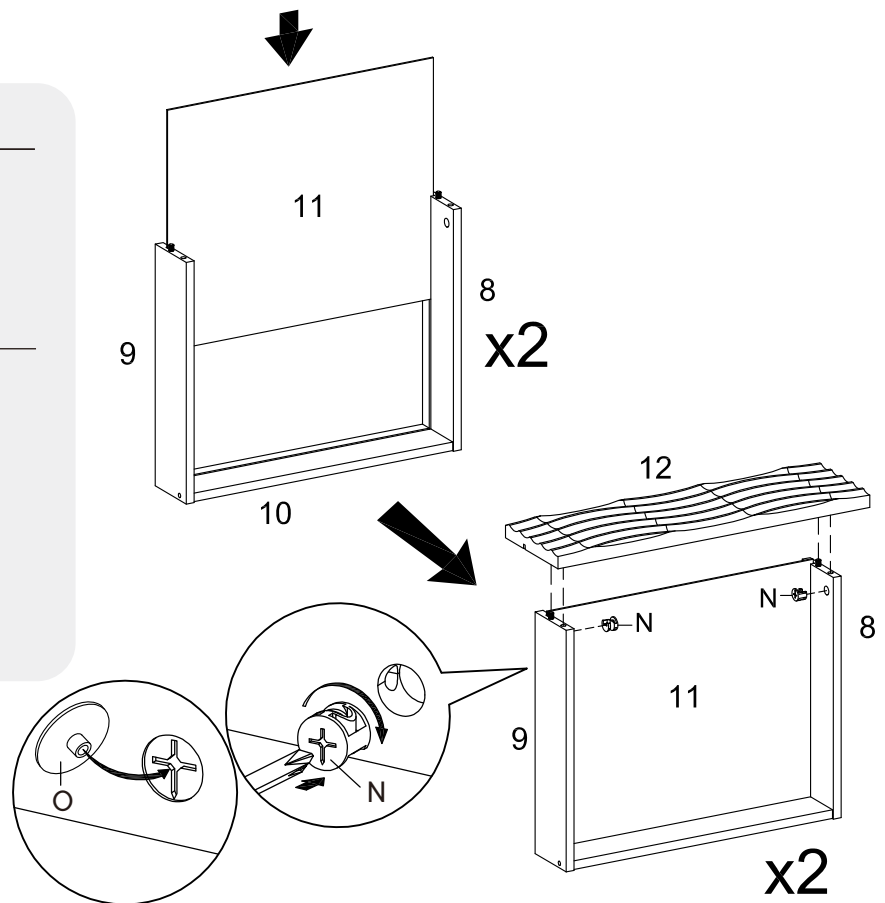
Step 11

HARDWARE

- N** Cam Lock Ø12 mm x4
- O** Cam Cover Ø15 mm x4

COMPONENTS

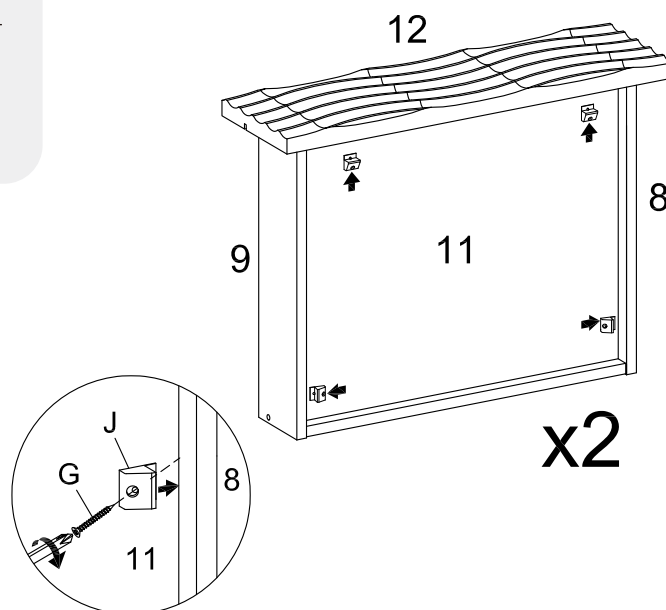
- 8** Drawer Left Board x2
- 9** Drawer Right Board x2
- 10** Drawer Back Board x2
- 11** Drawer Bottom Board x2
- 12** Drawer Front Board x2



Step 12

HARDWARE

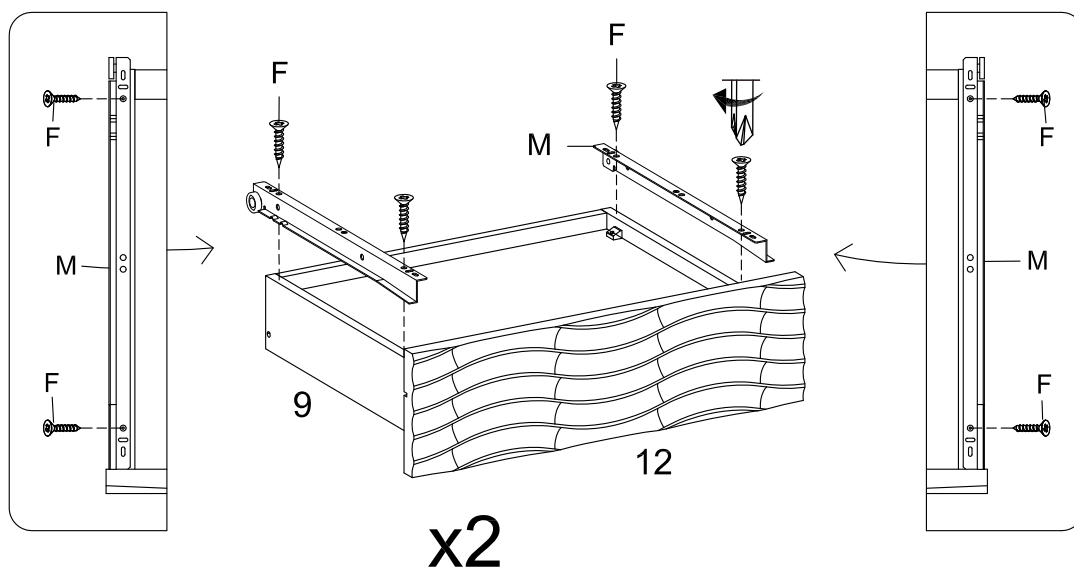
- G** Screw M 4 x 19 mm x8
- J** Backply Stopper x8



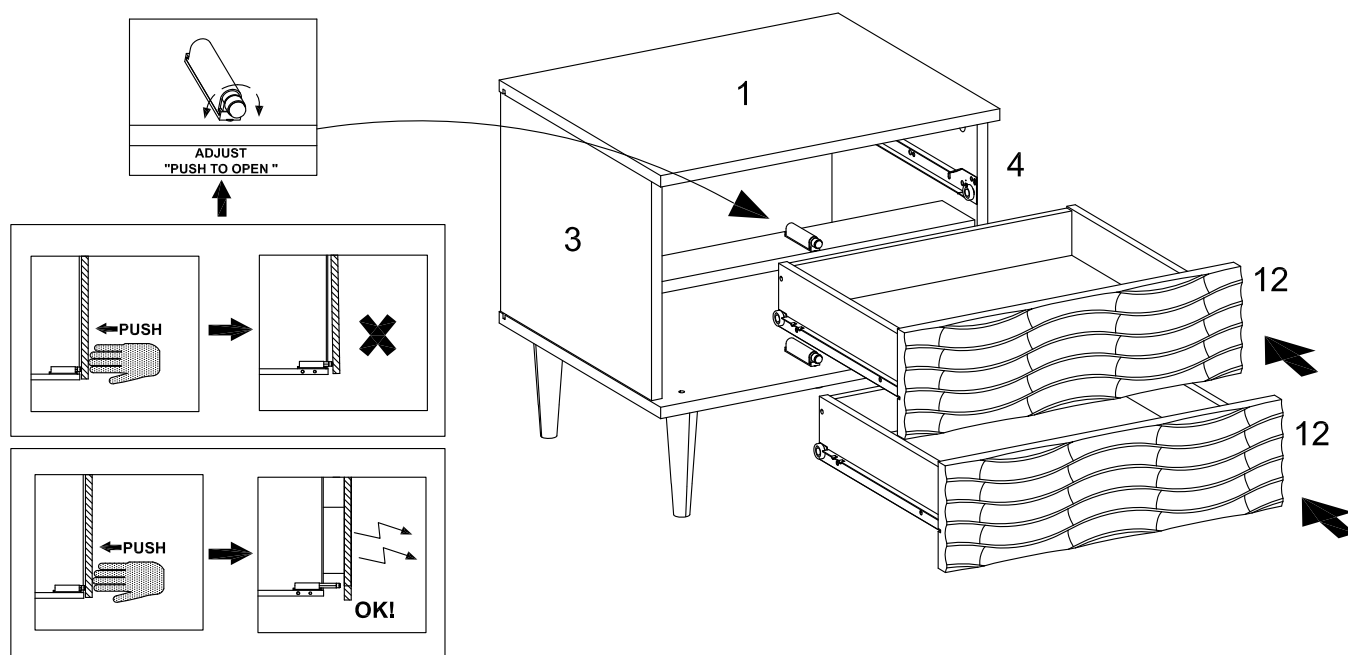
Step 13

HARDWARE

- F** Screw M 6 x 13 mm x8
- M** Drawer Runner x2



Step 14



Great job!

Nightstand assembly is complete

♥ CARING FOR YOUR ITEM

Indoor use only.

Not contract grade.

Clean using a non-abrasive cloth and a mild cleaner.

Never use harsh chemicals, as they could damage the finish or integrity of the item.

CONNECT WITH US!

Tag us @modway_furniture and #modway for a chance to be featured.

