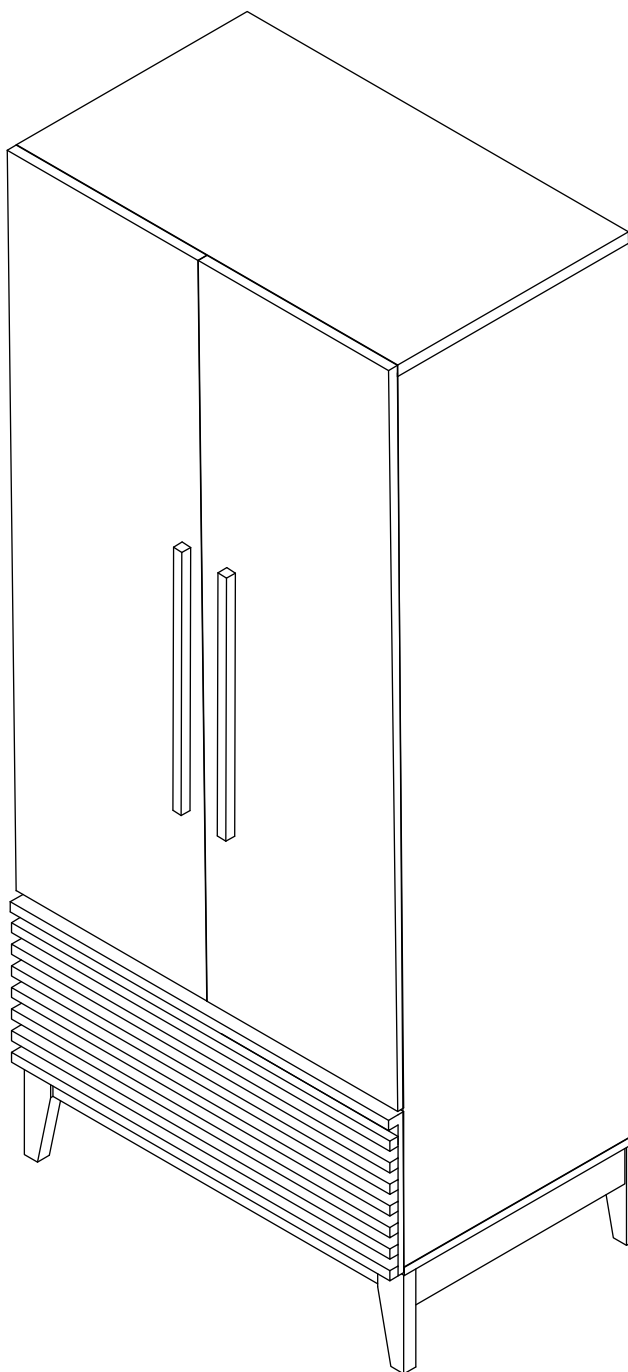


# ASSEMBLY INSTRUCTIONS

# MOD-7072

V1. 12.29.22



**Questions? Contact us!**

609.256.9000 • [cs@modway.com](mailto:cs@modway.com)

[www.modway.com](http://www.modway.com)

**\*modway**

# Let's get started!

\*modway



Read through all of the instructions before starting



Care instructions are listed in the last step of this manual



Approx. 60 minutes assembly time



Make sure you have all parts and components before discarding any packing materials



2 people recommended for assembly

**Only use hand tools to assemble this item.** Do not use power tools. Do not tighten bolts or screws completely until all hardware is lined up and inserted into the holes.

Do not over-tighten screws and bolts to avoid stripping the hardware or cracking the item.

Assemble your item on a flat, carpeted area, with plenty of space to work. This will prevent damage and scratches to your floors or the item while you're assembling the product.

Keep all components and packaging out of reach of children or animals to avoid risk of choking or suffocation.

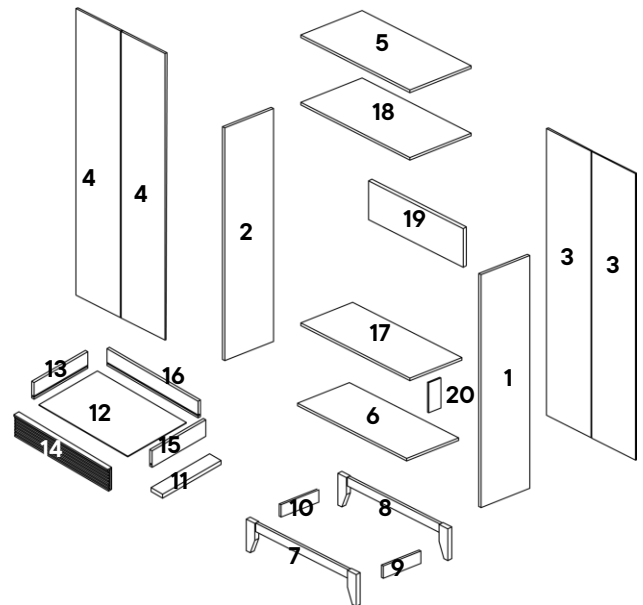
## Furniture components:

### Box 1

1	Right Side Panel	x1	11	Drawer Support	x1
2	Left Side Panel	x1	12	Drawer Base	x1
3	Back Panel	x2	13	Drawer Left	x1
4	Doors	x2	14	Drawer Head	x1

### Box 2

5	Top Panel	x1	15	Drawer Right	x1
6	Bottom Panel	x1	16	Drawer Back	x1
7	Front Leg Panel	x1	17	Fixed Shelf	x1
8	Back Leg Panel	x1	18	Adjustable Shelf	x1
9	Right Leg Panel	x1	19	Body Support A	x1
10	Left Leg Panel	x1	20	Body Support B	x1



## Provided hardware:

A	JCBC M6 x 80mm	x2	K	JCBC M6 x 60mm	x4	U	Oval tube Aluminium	x1
B	Wooden Dowel Ø6 x 30mm	x42	L	Cam Lock Ø12 x 9.9mm	x3	V	Handles	x2
C	Cam Lock Ø15 x 12mm	x18	M	Shelf Pin	x4	W	Soft-Close Hinges 5/8	x6
D	Cam Bolt Ø6 x 32mm	x21	N	JCBCW M6 x 50mm	x4	X	Cam Lock Cap (1042)	x4
E	Floor Glide B321	x4	O	MS Screw 4 x 25mm	x6			
F	C/board Screw Ø3.5 x 16mm	x70	P	C/board Screw Ø4 x 38mm	x3			
G	C/board Runner Left	x1	Q	Allen Key	x1			
H	C/board Runner Right	x1	R	Euro Screw M5 x 8mm	x4			
I	Drawer Runner Left	x1	S	Closet Rod Flange	x2			
J	Drawer Runner Right	x1	T	Mini L Plate 4 Holes	x4			

## What you need:

**Phillips Head Screwdriver**

**Wait!**

Missing parts or hardware? Need assistance?

Contact us before returning your item. We're here to help!  
609.256.9000 • cs@modway.com

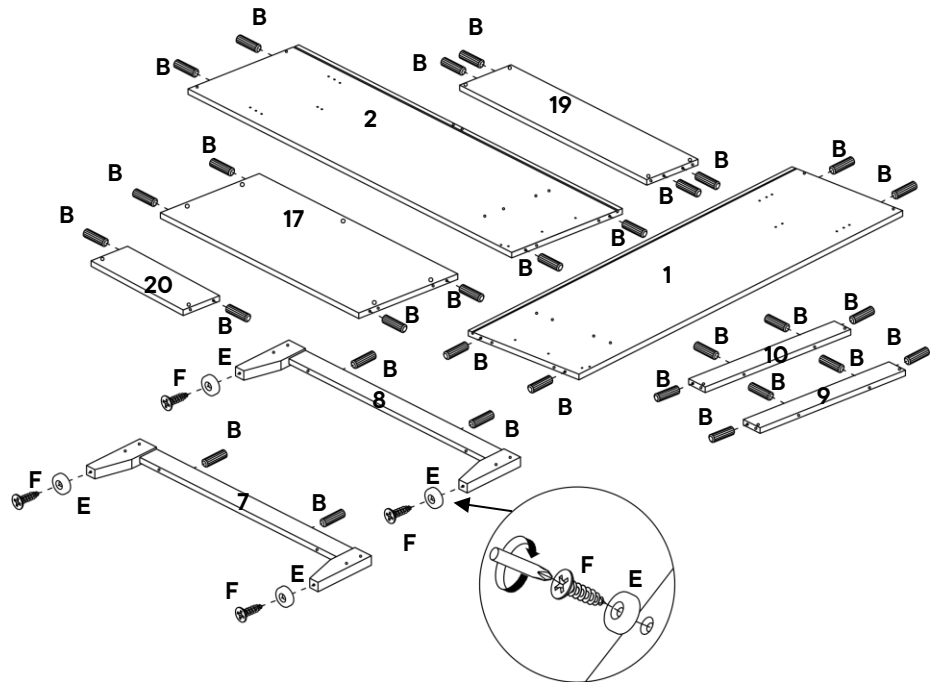
# Step 1

## HARDWARE

- B** Wooden Dowel Ø6 x 30mm x30
- E** Floor Glide B321 x4
- F** C/board Screw Ø3.5 x 16mm x4

## COMPONENTS

- 1** Right Side Panel x1
- 2** Left Side Panel x1
- 7** Front Leg Panel x1
- 8** Back Leg Panel x1
- 9** Right Leg Panel x1
- 10** Left Leg Panel x1
- 17** Fixed Shelf x1
- 19** Body Support A x1
- 20** Body Support B x1



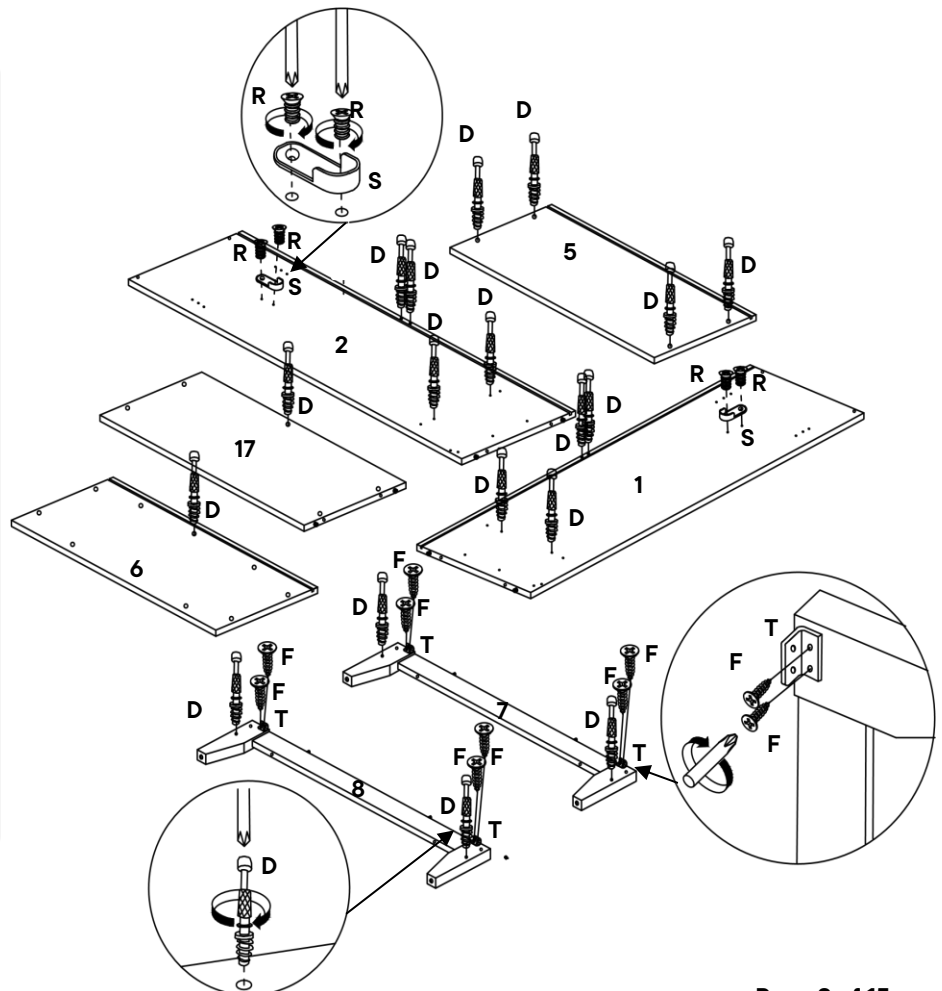
# Step 2

## HARDWARE

- D** Cam Bolt Ø6 x 32mm x18
- F** C/board Screw Ø3.5 x 16mm x8
- R** Euro Screw M5x 8mm x4
- S** Closet Rod Flange x2
- T** Mini L Plate 4 Holes x4

## COMPONENTS

- 1** Right Side Panel x1
- 2** Left Side Panel x1
- 5** Top Panel x1
- 6** Bottom Panel x1
- 7** Front Leg Panel x1
- 8** Back Leg Panel x1
- 17** Fixed Shelf x1



## Step 3

### HARDWARE

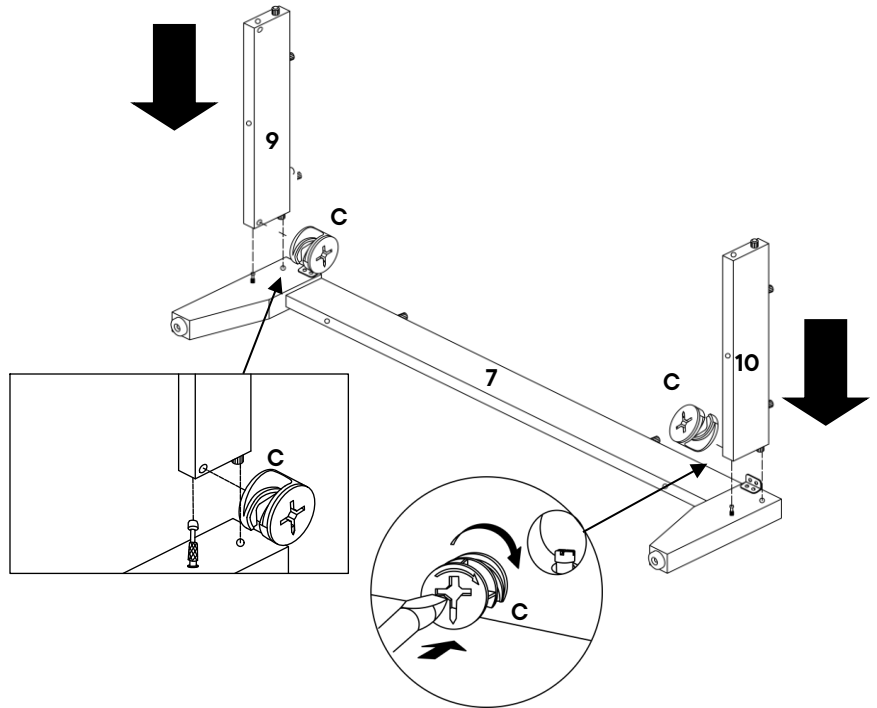
**C** Cam Lock Ø15 x 12mm x2

### COMPONENTS

**7** Front Leg Panel x1

**9** Right Leg Panel x1

**10** Left Leg Panel x1



## Step 4

### HARDWARE

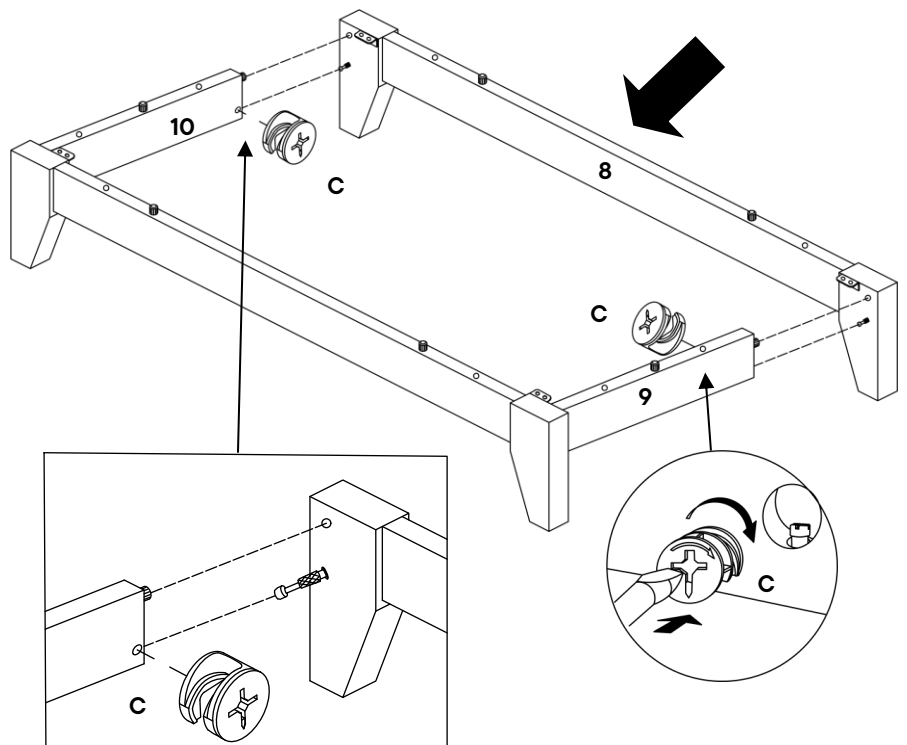
**C** Cam Lock Ø15 x 12mm x2

### COMPONENTS

**8** Back Leg Panel x1

**9** Right Leg Panel x1

**10** Left Leg Panel x1



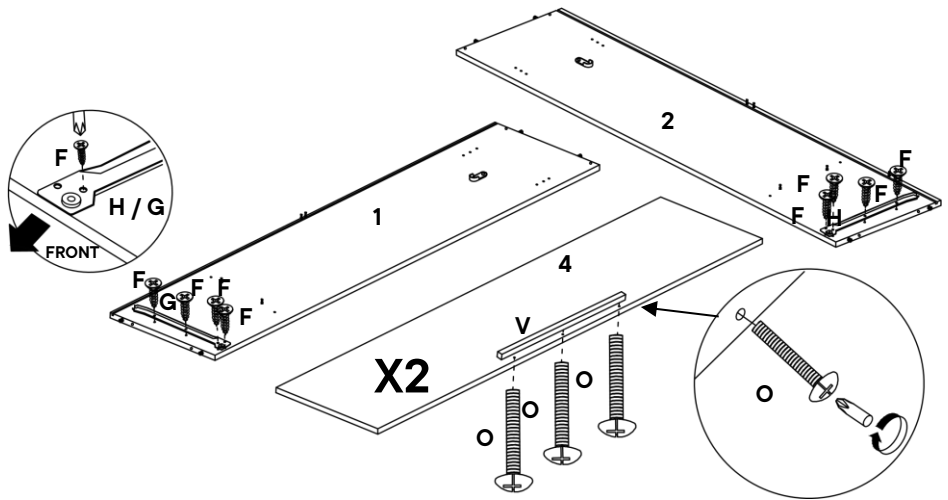
# Step 5

## HARDWARE

- F** C/board Screw Ø3.5 x 16mm x8
- G** C/board Runner Left x1
- H** C/board Runner Right x1
- O** MS Screw 4x25mm x6
- V** Handles x2

## COMPONENTS

- 1** Right Side Panel x1
- 2** Left Side Panel x1
- 4** Doors x2



# Step 6

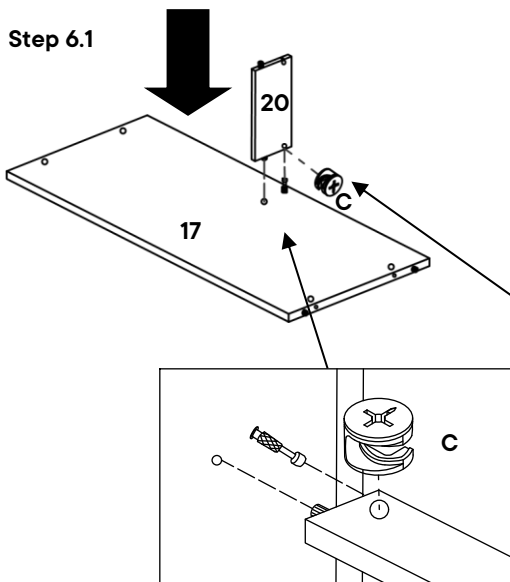
## HARDWARE

- C** Cam Lock Ø15 x 12mm x9

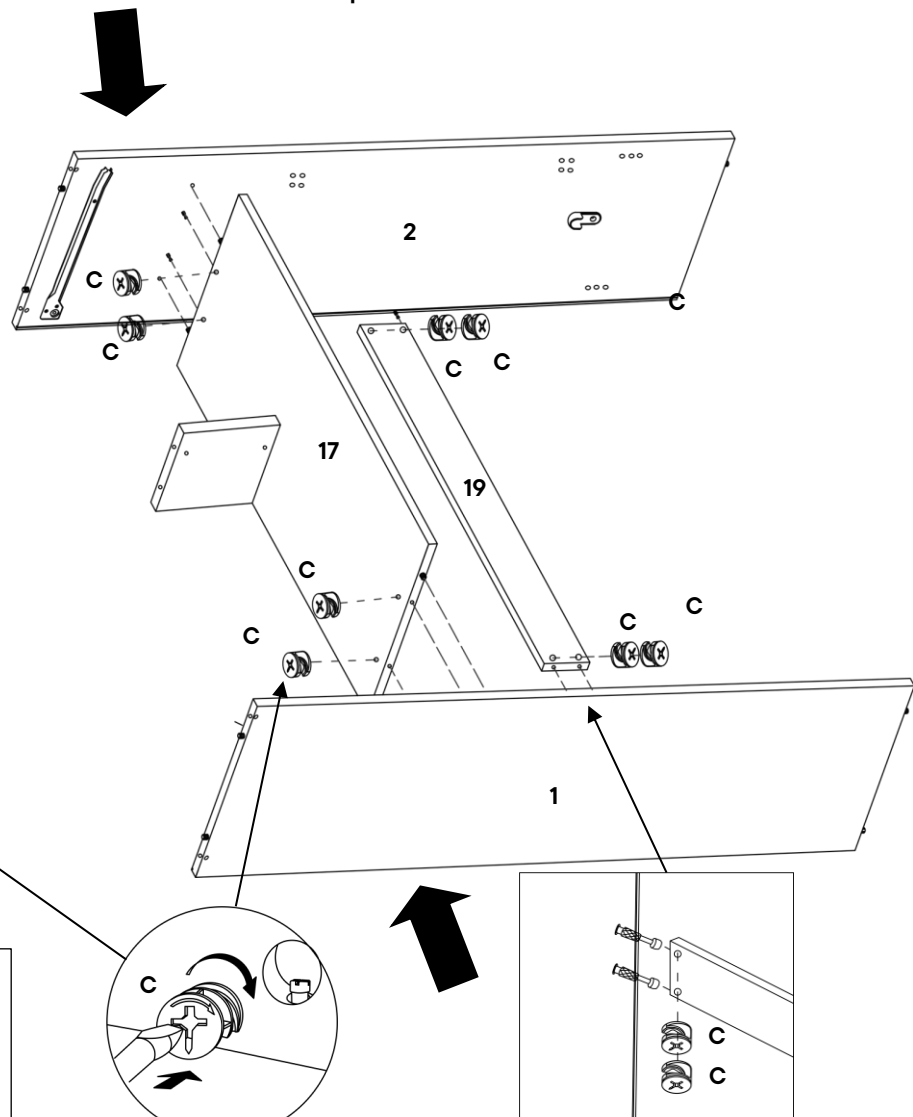
## COMPONENTS

- 1** Right Side Panel x1
- 2** Left Side Panel x1
- 17** Fixed Shelf x1
- 19** Body Support A x1
- 20** Body Support B x1

Step 6.1



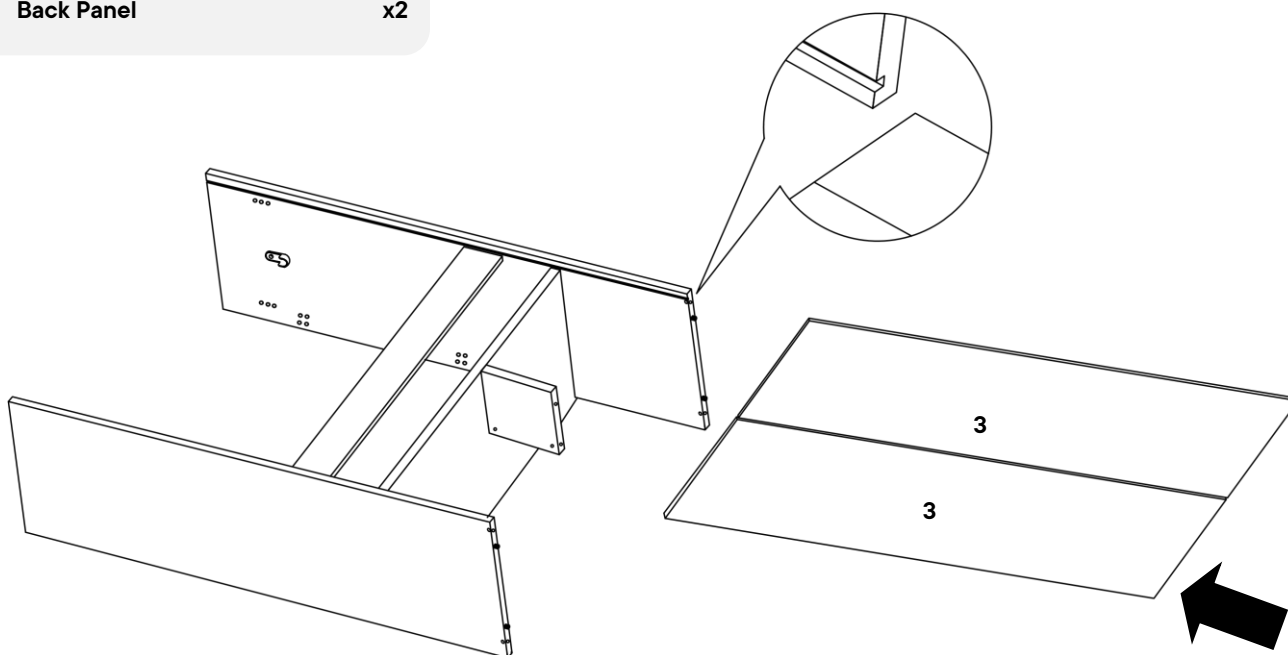
Step 6.2



# Step 7

## COMPONENTS

- 3** Back Panel x2



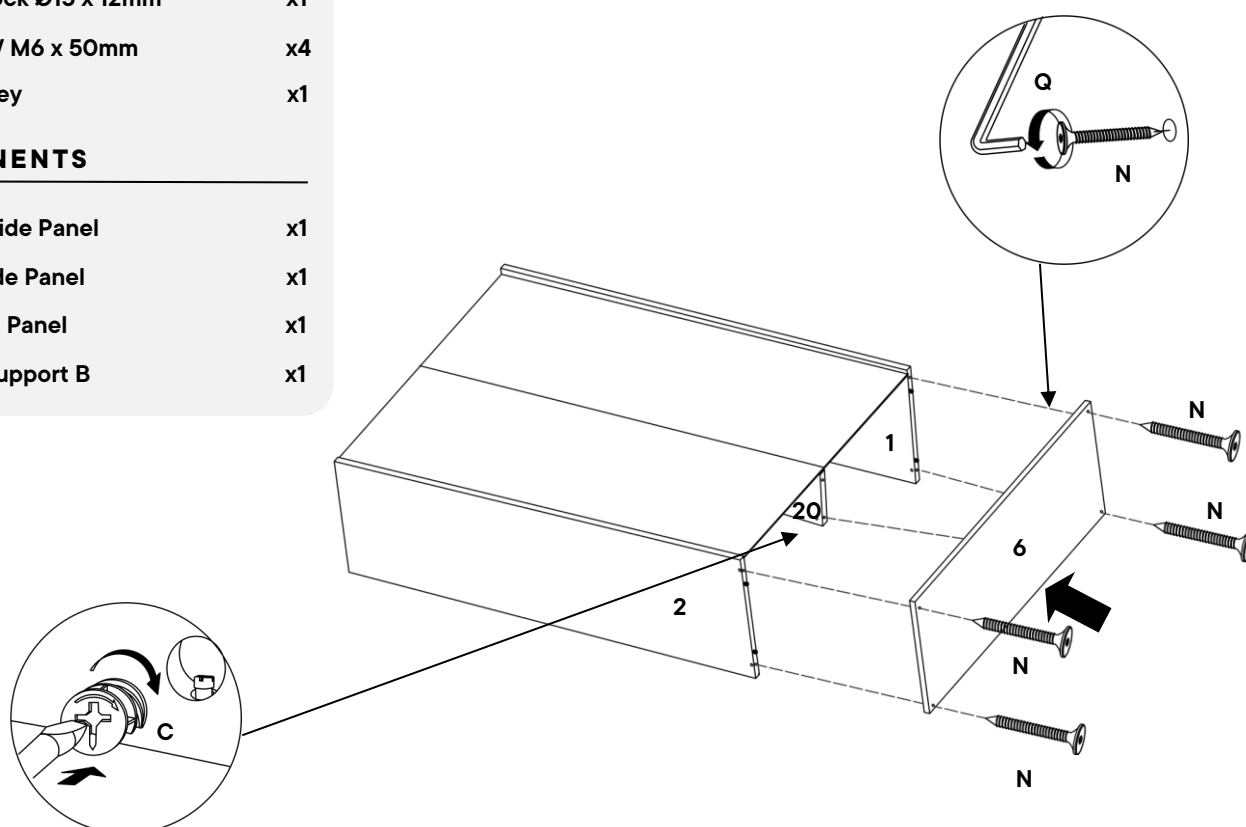
# Step 8

## HARDWARE

- C** Cam Lock Ø15 x 12mm x1
- N** JCBCW M6 x 50mm x4
- Q** Allen Key x1

## COMPONENTS

- 1** Right Side Panel x1
- 2** Left Side Panel x1
- 6** Bottom Panel x1
- 20** Body Support B x1



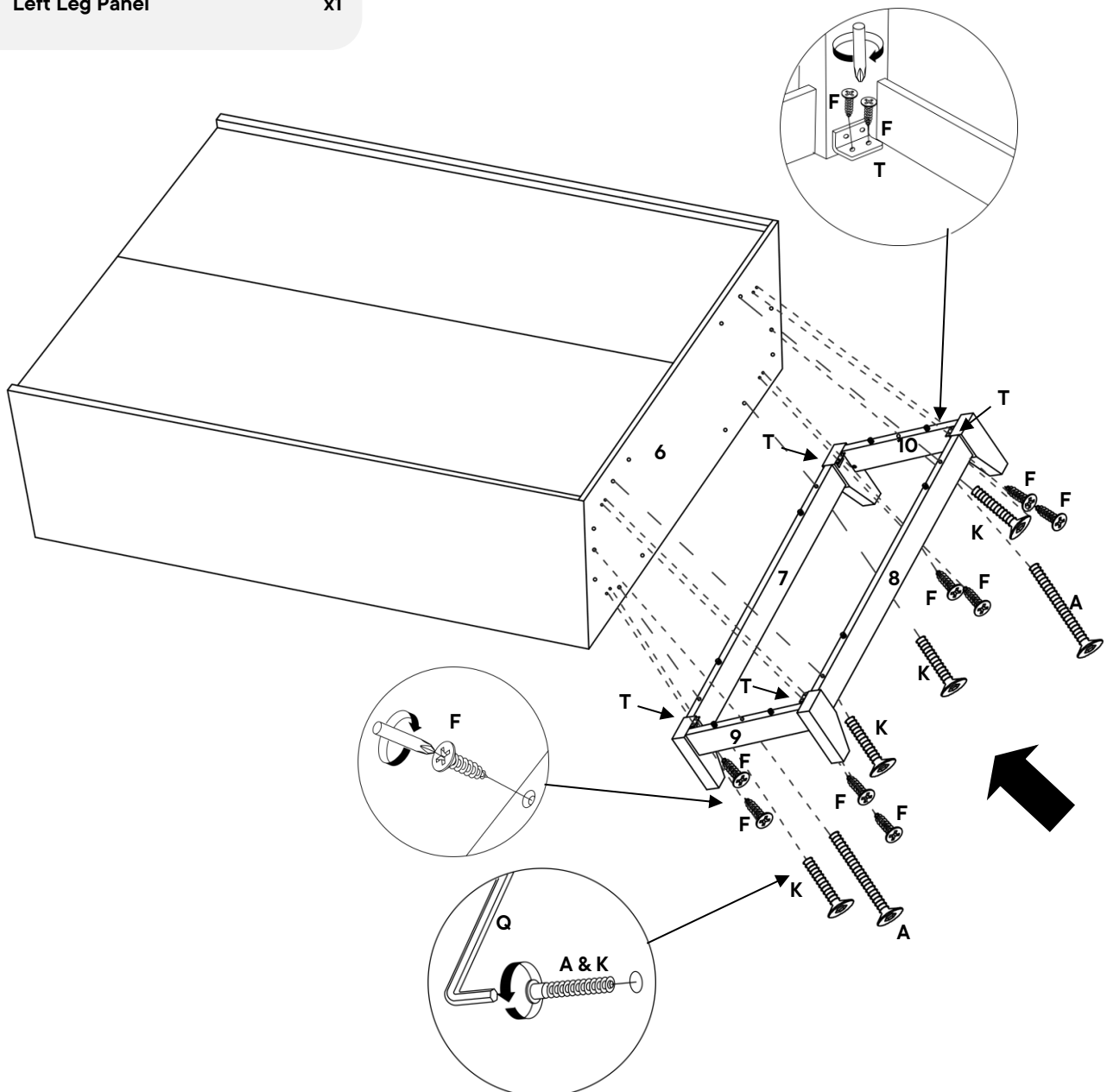
# Step 9

## HARDWARE

<b>A</b>	JCBC M6 x 80mm	x2
<b>F</b>	C/board Screw Ø3.5 x 16mm	x8
<b>K</b>	JCBC M6 x 60mm	x4
<b>Q</b>	Allen Key	x1
<b>T</b>	Mini L Plate 4 Holes	x4

## COMPONENTS

<b>6</b>	Bottom Panel	x1
<b>7</b>	Front Leg Panel	x1
<b>8</b>	Back Leg Panel	x1
<b>9</b>	Right Leg Panel	x1
<b>10</b>	Left Leg Panel	x1



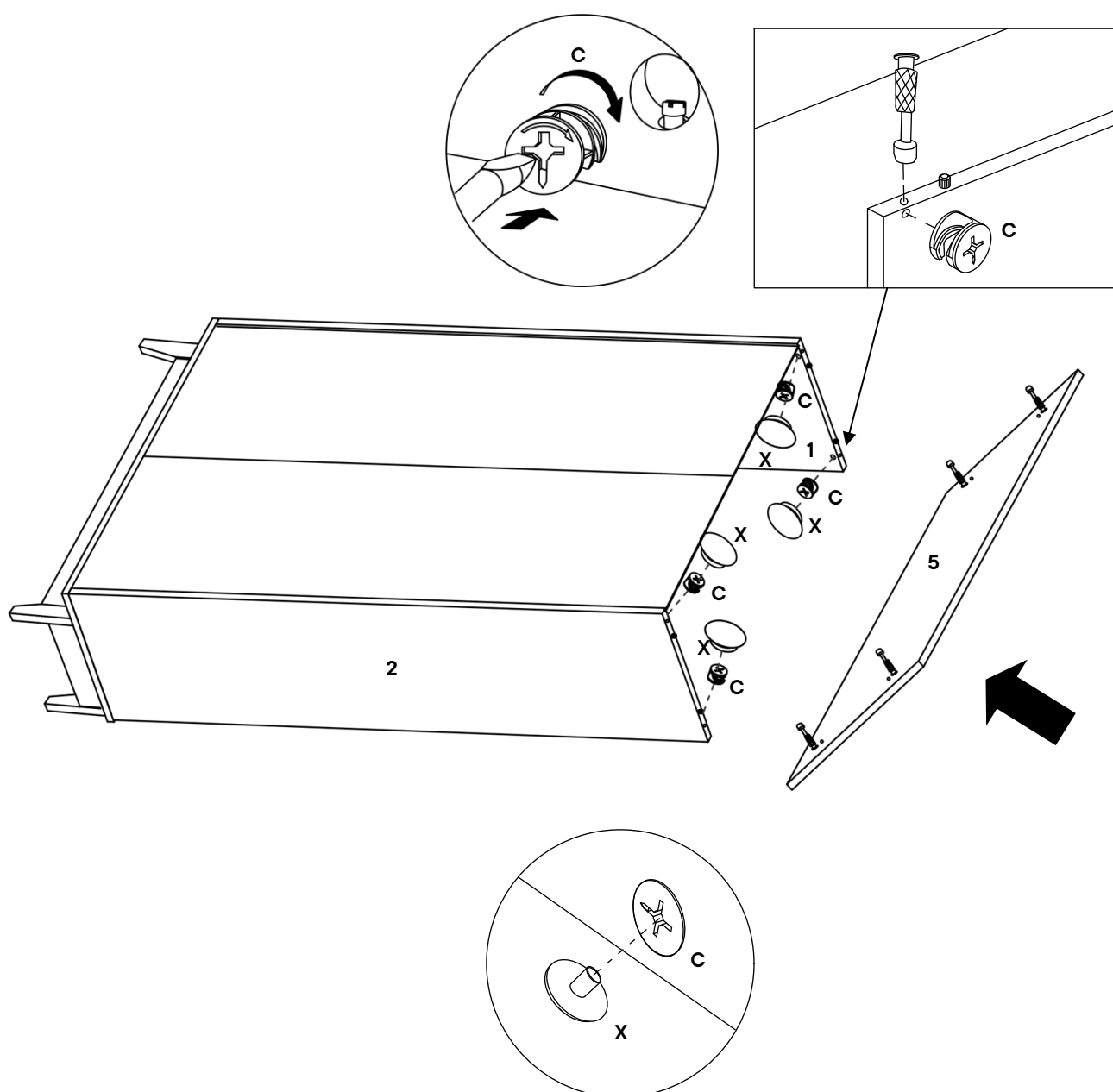
# Step 10

## HARDWARE

- C** Cam Lock Ø15 x 12mm x4
- X** Cam Lock Cap (1042) x4

## COMPONENTS

- 1** Right Side Panel x1
- 2** Left Side Panel x1
- 5** Top Panel x1





# Step 11

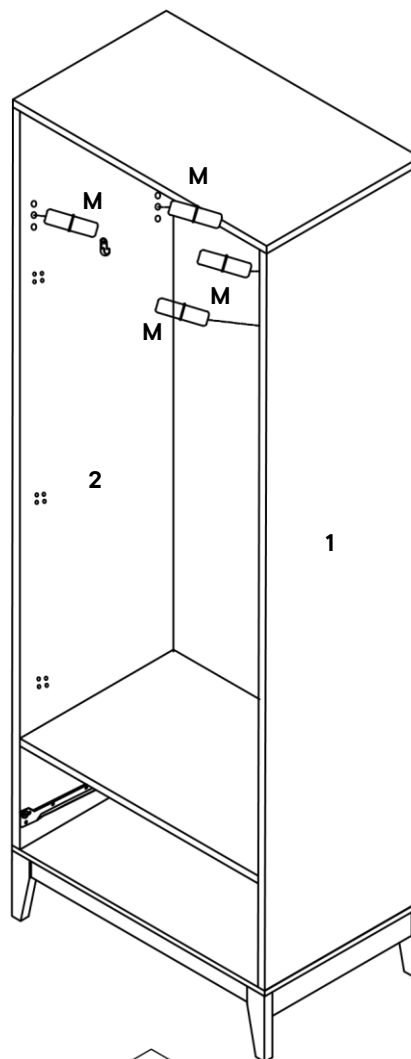
## HARDWARE

- M** Shelf Pin x4
- U** Oval Tube Aluminium x1

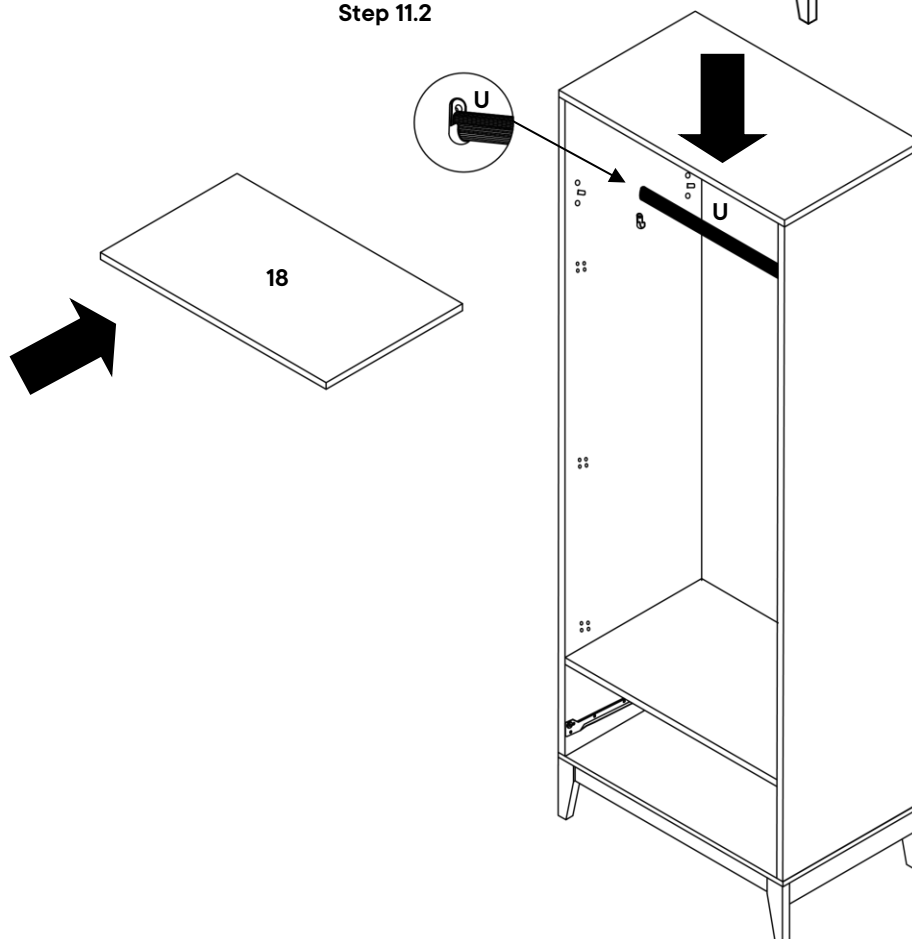
## COMPONENTS

- 1** Right Side Panel x1
- 2** Left Side Panel x1
- 18** Adjustable Shelf x1

Step 11.1



Step 11.2



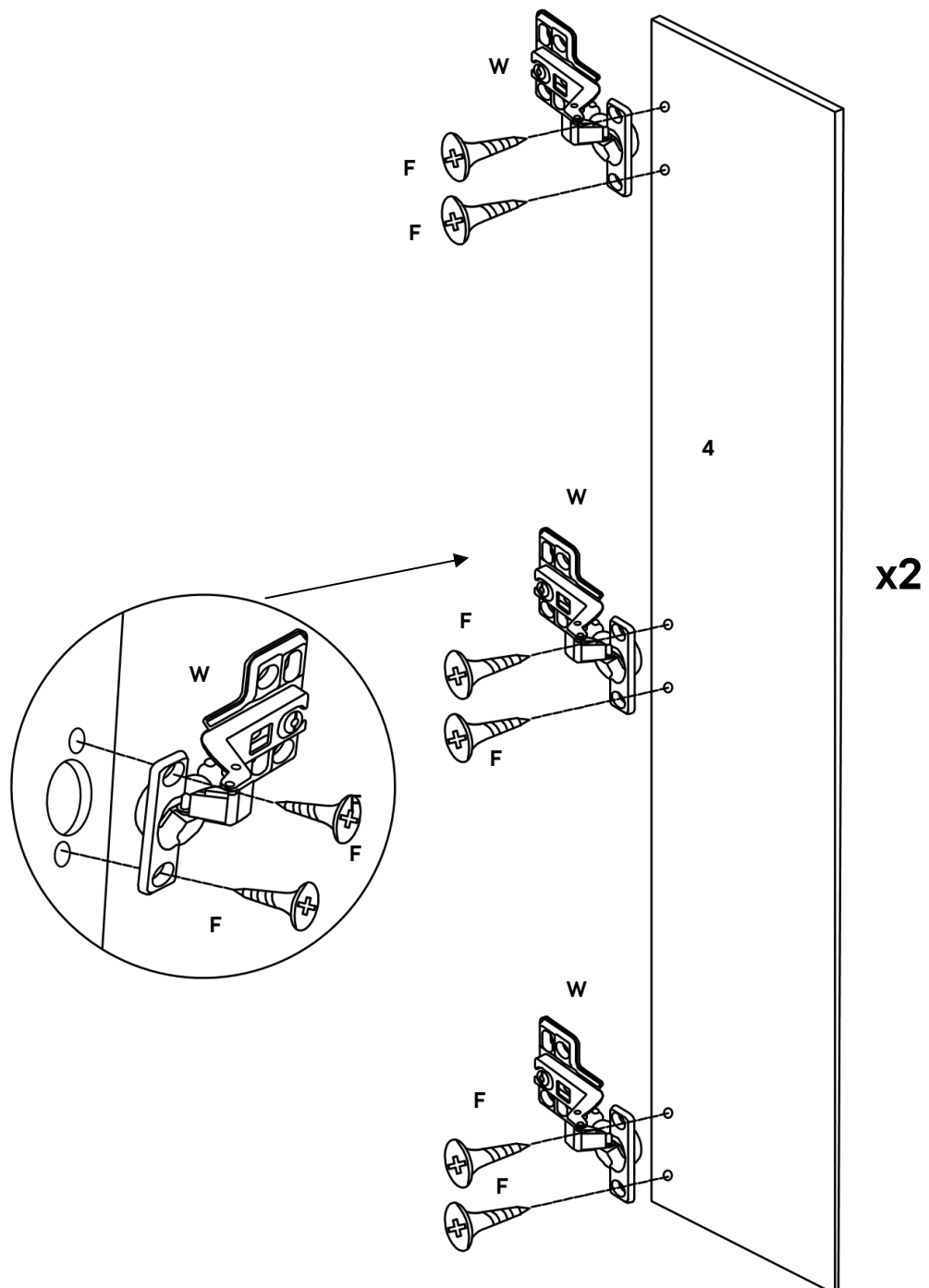
# Step 12

## HARDWARE

- F** C/board Screw Ø3.5 x 16mm x12
- W** Soft-Close Hinges 5/8 x6

## COMPONENTS

- 4** Doors x2



# Step 13

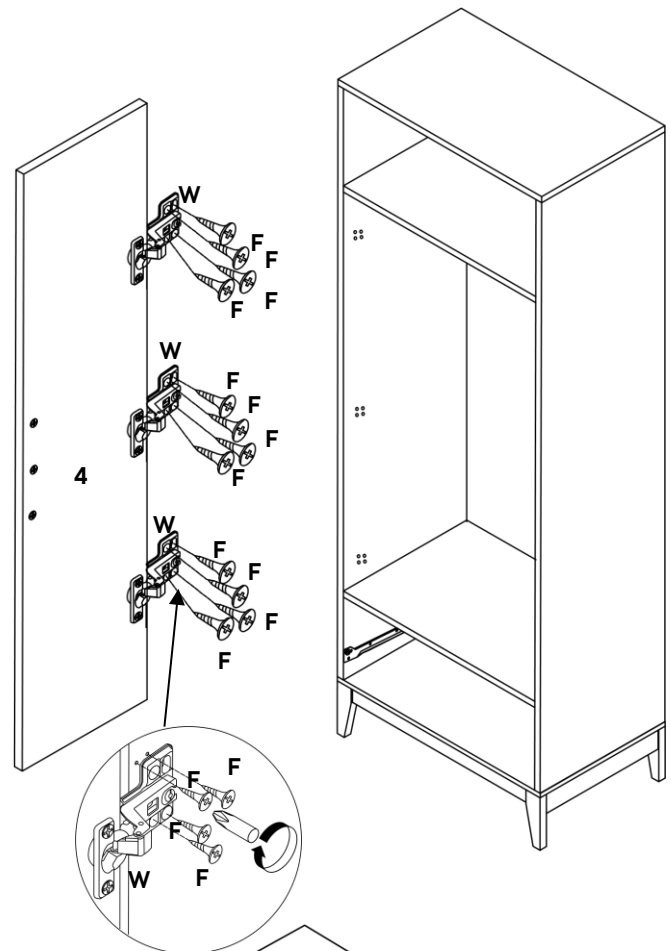
Step 13.1

**HARDWARE**

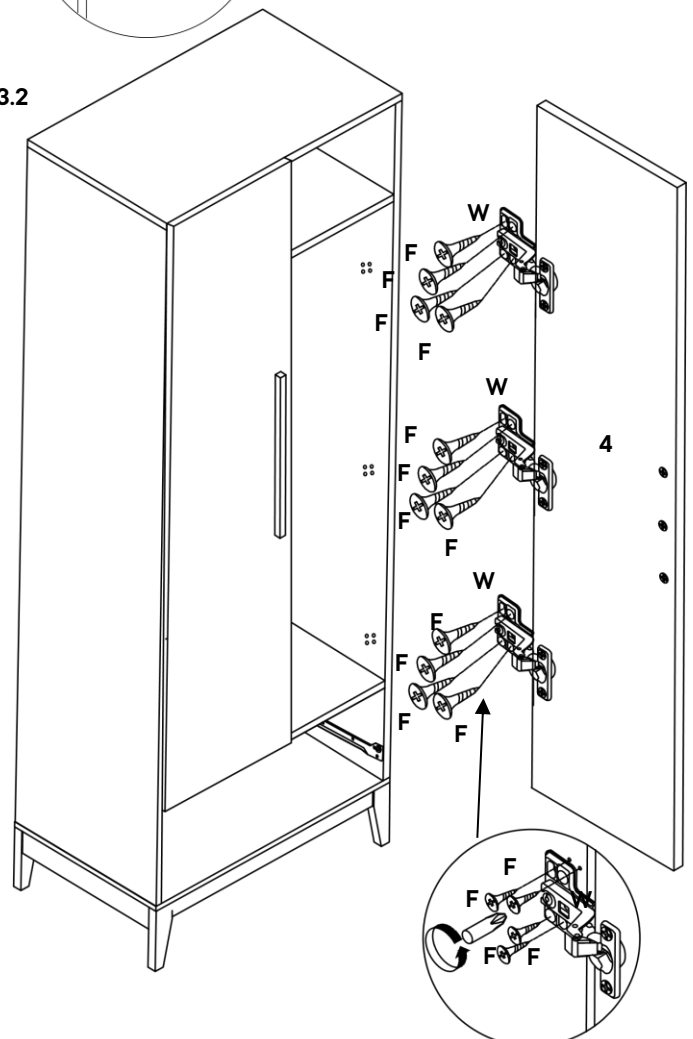
- F** C/board Screw  $\varnothing 3.5 \times 16\text{mm}$  x24
- W** Soft-Close Hinges 5/8 x6

**COMPONENTS**

- 4** Doors x2



Step 13.2



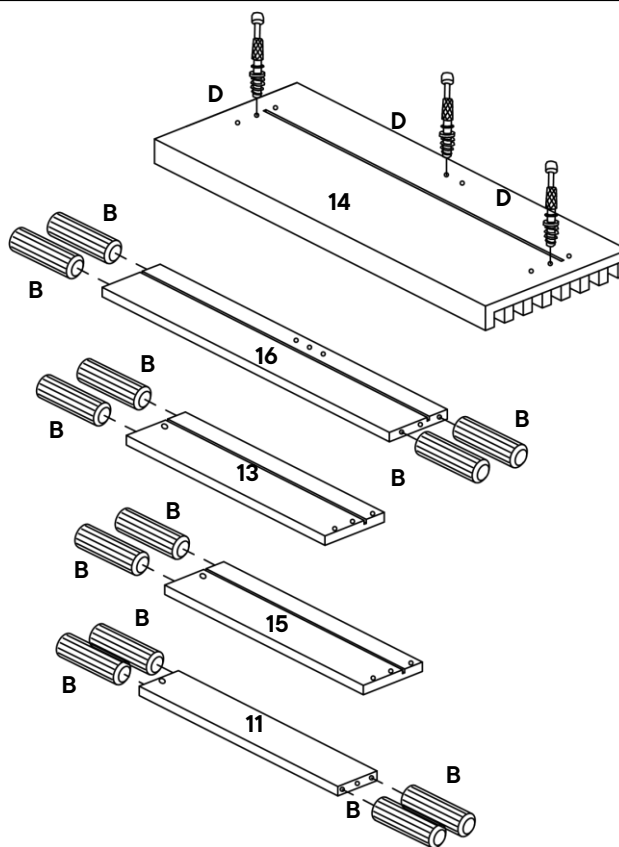
# Step 14

## HARDWARE

- B** Wooden Dowel  $\varnothing 6 \times 30\text{mm}$  x12
- D** Cam Bolt  $\varnothing 6 \times 32\text{mm}$  x3

## COMPONENTS

- 11** Drawer Support x1
- 13** Drawer Left x1
- 14** Drawer Head x1
- 15** Drawer Right x1
- 16** Drawer Back x1



# Step 15

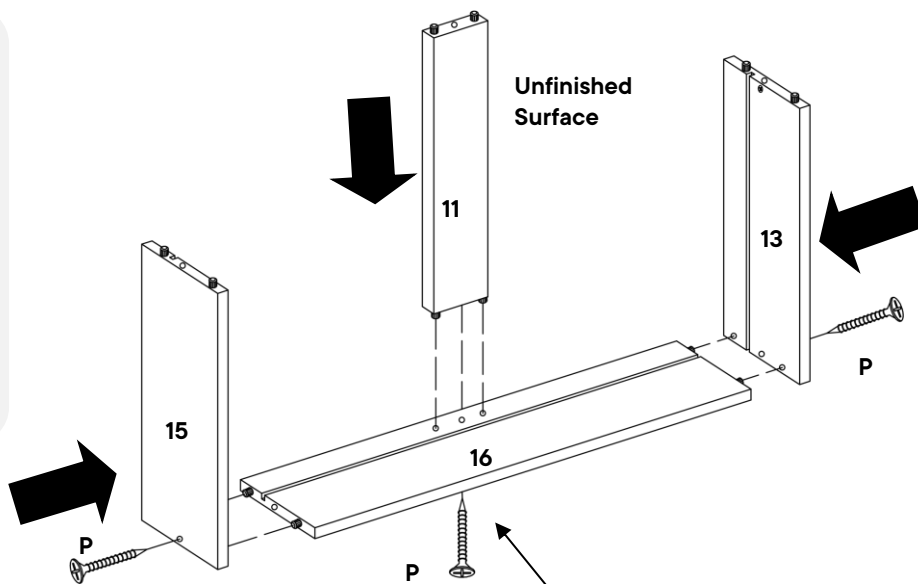
## HARDWARE

- P** C/board Screw  $\varnothing 4 \times 38\text{mm}$  x3

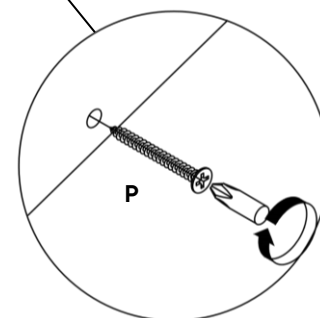
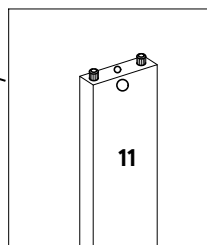
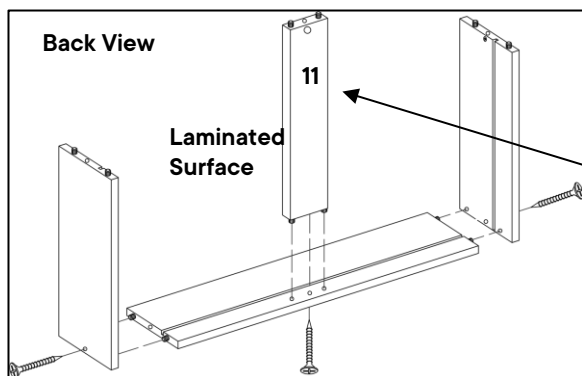
## COMPONENTS

- 11** Drawer Support x1
- 13** Drawer Left x1
- 15** Drawer Right x1
- 16** Drawer Back x1

Front View



Back View



# Step 16

## HARDWARE

**L** Cam Lock Ø12 x 9.9mm x3

## COMPONENTS

**11** Drawer Support x1

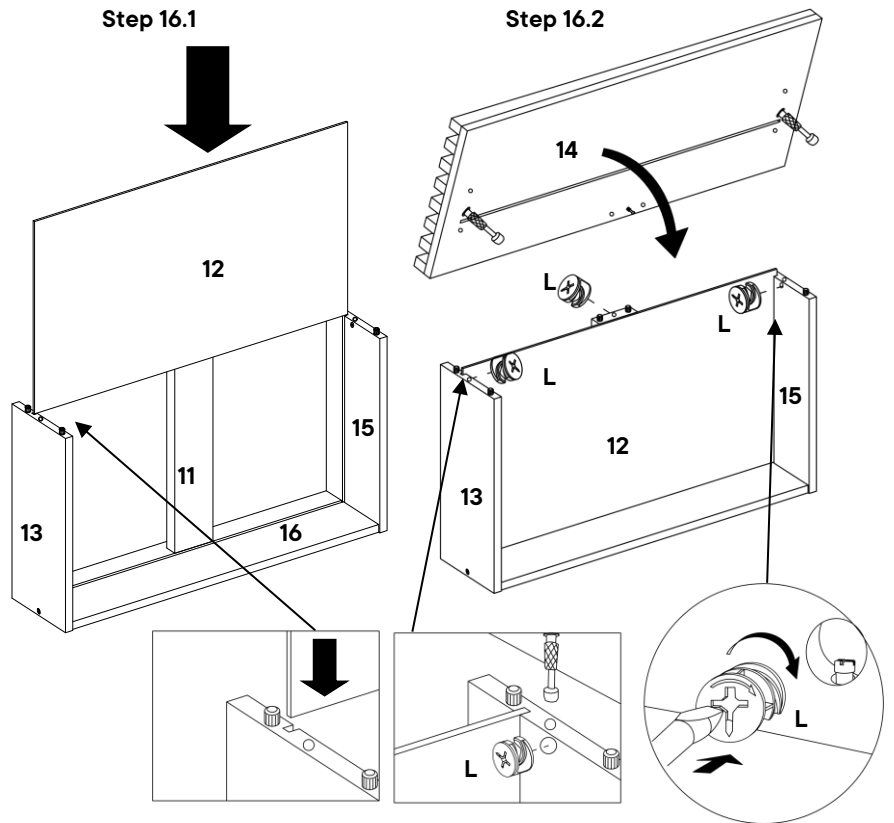
**12** Drawer Base x1

**13** Drawer Left x1

**14** Drawer Head x1

**15** Drawer Right x1

**16** Drawer Back x1



# Step 17

## HARDWARE

**F** C/board Screw Ø3.5 x 16mm x6

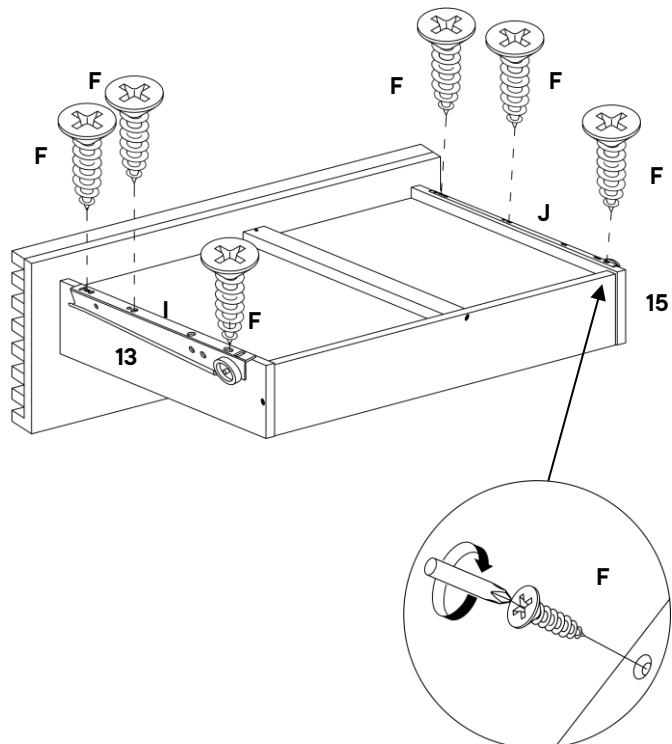
**I** Drawer Runner Left x1

**J** Drawer Runner Right x1

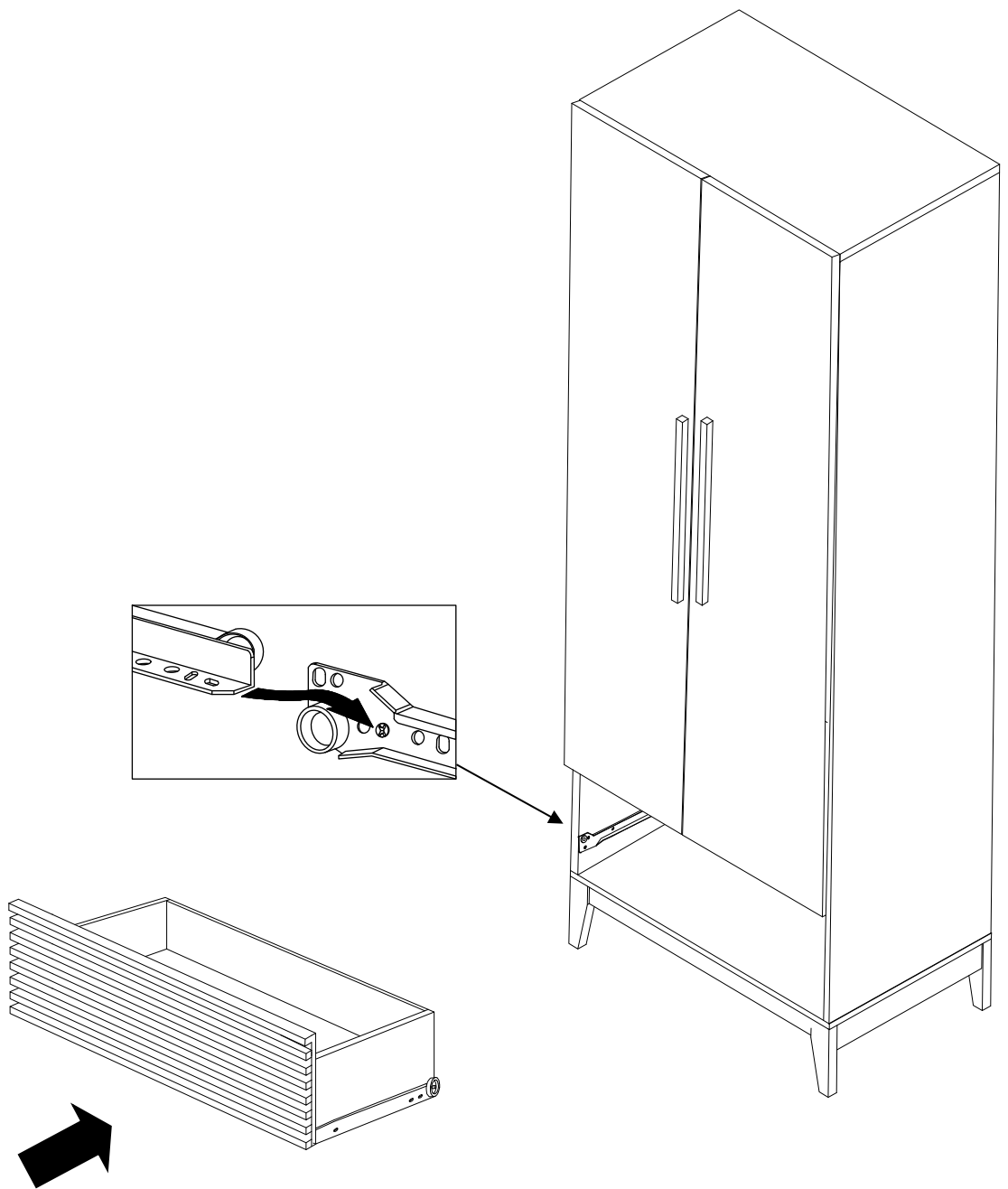
## COMPONENTS

**13** Drawer Left x1

**15** Drawer Right x1



# Step 18



# Great job

Wardrobe assembly is complete.



## CARING FOR YOUR ITEM

Indoor use only.

Not contract grade.

Clean using a non-abrasive cloth and a mild cleaner

Never use harsh chemicals, as they could damage the finish or integrity of the item.

CONNECT WITH US!   

Tag us @modway\_furniture and #modway for a chance to be featured.

