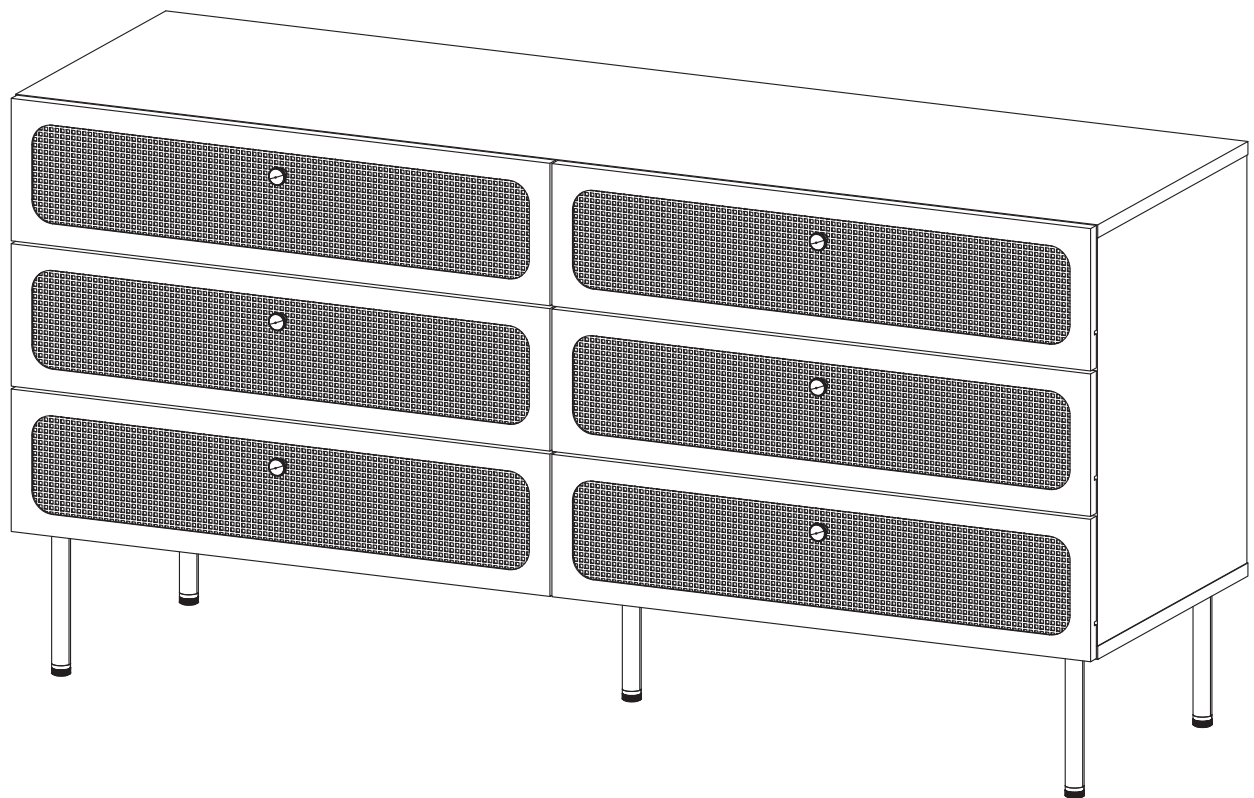


ASSEMBLY INSTRUCTIONS

MOD-7067

V0.09.09.22



Questions? Contact us!

609.256.9000 • cs@modway.com
www.modway.com

*modway



Read through all of the instructions before starting



Care instructions are listed in the last step of this manual



Approx. 60 minutes assembly time



Make sure you have all parts and components before discarding any packing materials



2 people recommended for assembly

Only use hand tools to assemble this item. Do not use power tools. Do not tighten bolts or screws completely until all hardware is lined up and inserted into the holes.

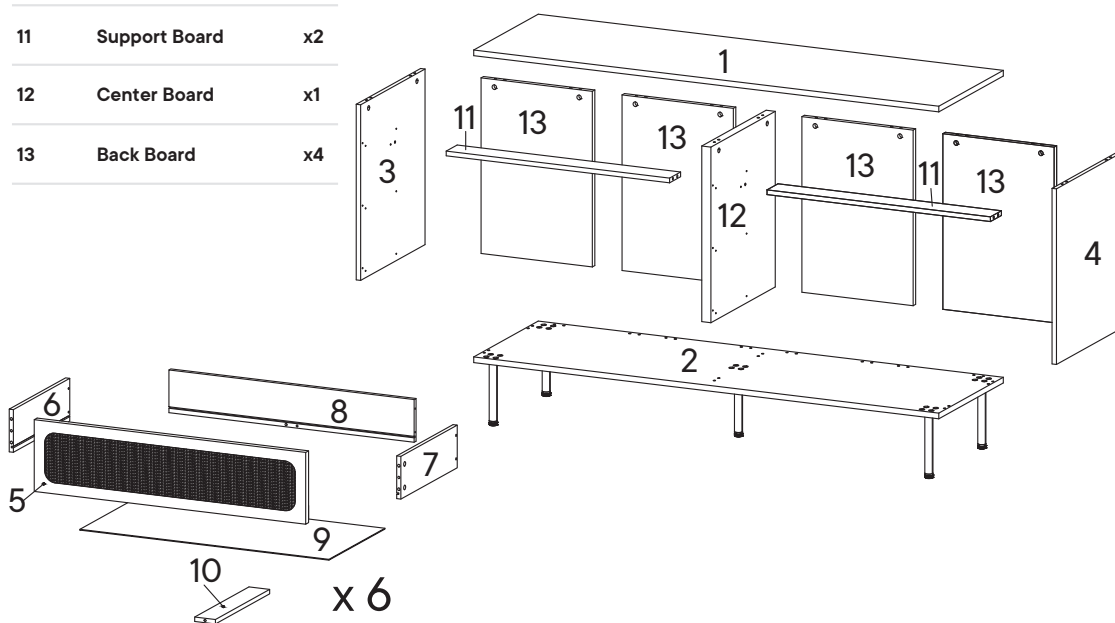
Do not over-tighten screws and bolts to avoid stripping the hardware or cracking the item.

Assemble your item on a flat, carpeted area, with plenty of space to work. This will prevent damage and scratches to your floors or the item while you're assembling the product.

Keep all components and packaging out of reach of children or animals to avoid risk of choking or suffocation.

Furniture components:

1	Top Board	x1	11	Support Board	x2
2	Bottom Board	x1	12	Center Board	x1
3	Side Board Left	x1	13	Back Board	x4
4	Side Board Right	x1			
5	Front Drawer	x6			
6	Side Drawer Left	x6			
7	Side Drawer Right	x6			
8	Back Drawer	x6			
9	Bottom Drawer	x6			
10	Support Drawer	x6			



Provided hardware:

A		Cam Bolt Ø6 x 35 mm	x48	J		Screw M 8 x 39 mm	x36
B		Cam Lock Ø15 mm	x18	K		Screw M 4 x 20 mm	x20
C		Cam Lock Ø12 mm	x30	L		Screw M 6 x 10.5 mm	x36
D		Wood Dowel Ø8 x 30 mm	x32	M		Screw M 4 x 22 mm	x6
E		Wood Dowel Ø6 x 30 mm	x12	N		Wedge	x24
F		Screw M 7 x 50 mm	x14	O		Screw M 3.5 x 15.5 mm	x24
G		Handle	x6	P		Silicon Bumper	x12
H		Screw M 3.5 x 13 mm	x36	RM35A		Drawer Runner	x6
I		Allen Key	x2	LM20A1		Leg Metal	x5

What you need:



Wait!

Missing parts or hardware? Need assistance?
Contact us before returning your item. We're here to help!
609.256.9000 • cs@modway.com

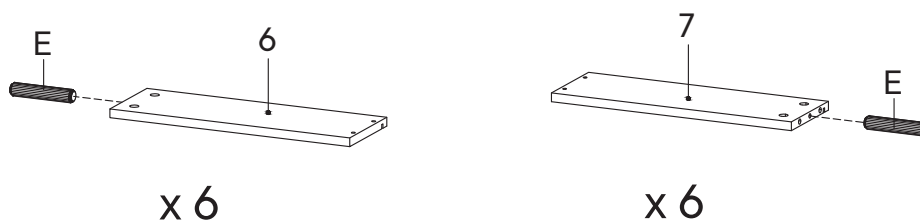
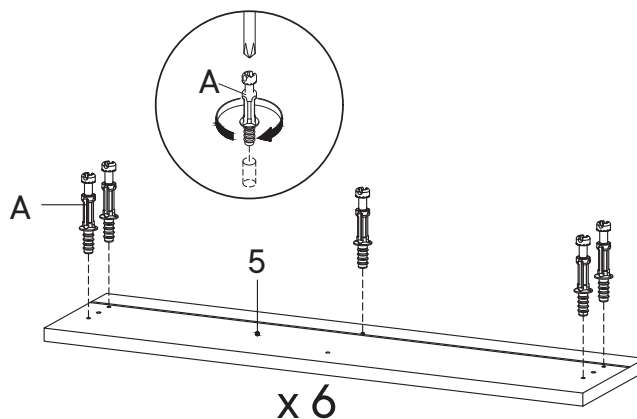
Step 1

HARDWARE

- A** Cam Bolt $\varnothing 6 \times 35$ mm x30
- E** Wood Dowel $\varnothing 6 \times 30$ mm x12

COMPONENTS

- 5** Front Drawer x6
- 6** Side Drawer Left x6
- 7** Side Drawer Right x6



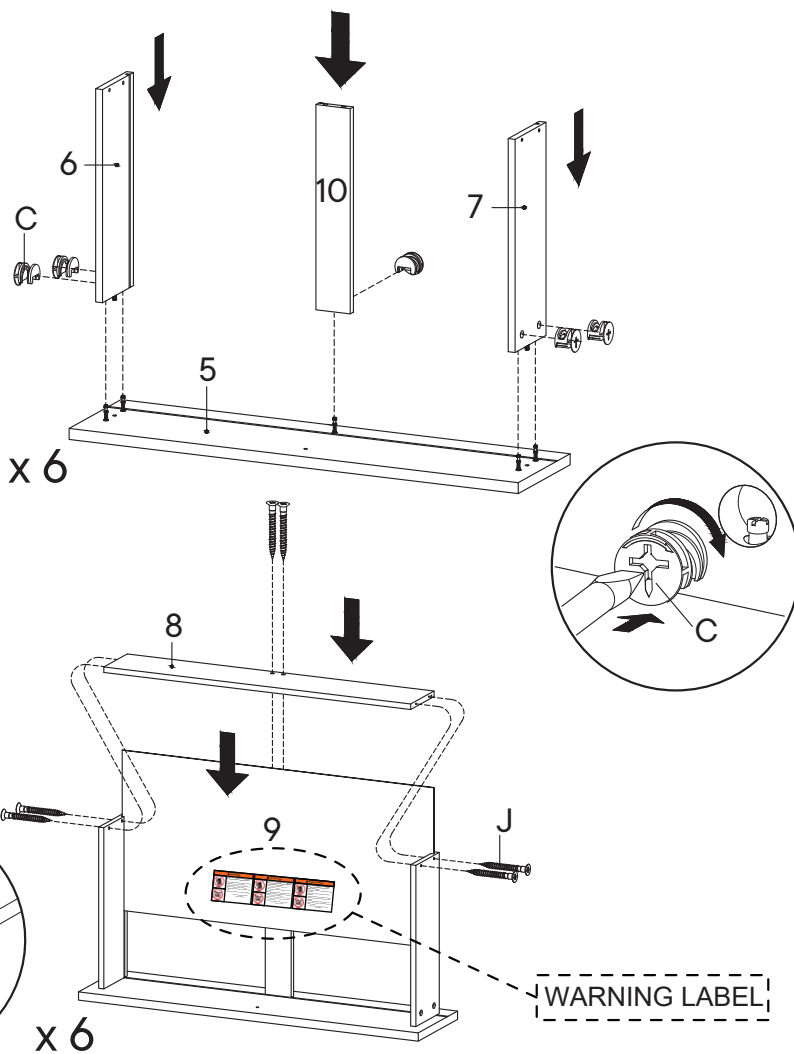
Step 2

HARDWARE

- C** Cam Lock $\varnothing 12$ mm x30
- J** Screw M 8 x 39 mm x36

COMPONENTS

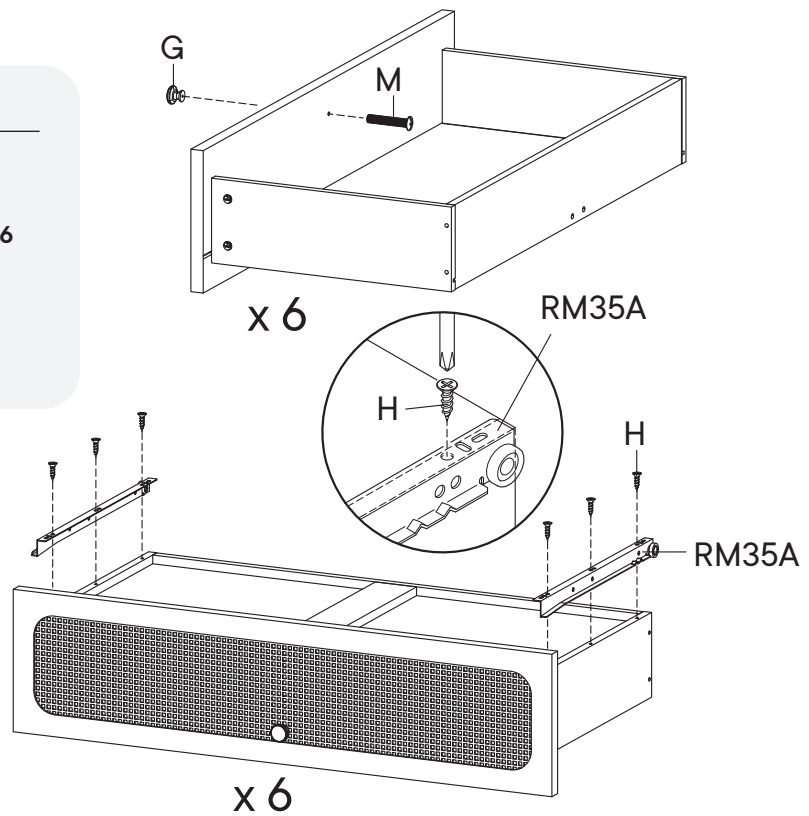
- 5** Front Drawer x6
- 6** Side Drawer Left x6
- 7** Side Drawer Right x6
- 8** Back Drawer x6
- 9** Bottom Drawer x6
- 10** Support Drawer x6



Step 3

HARDWARE

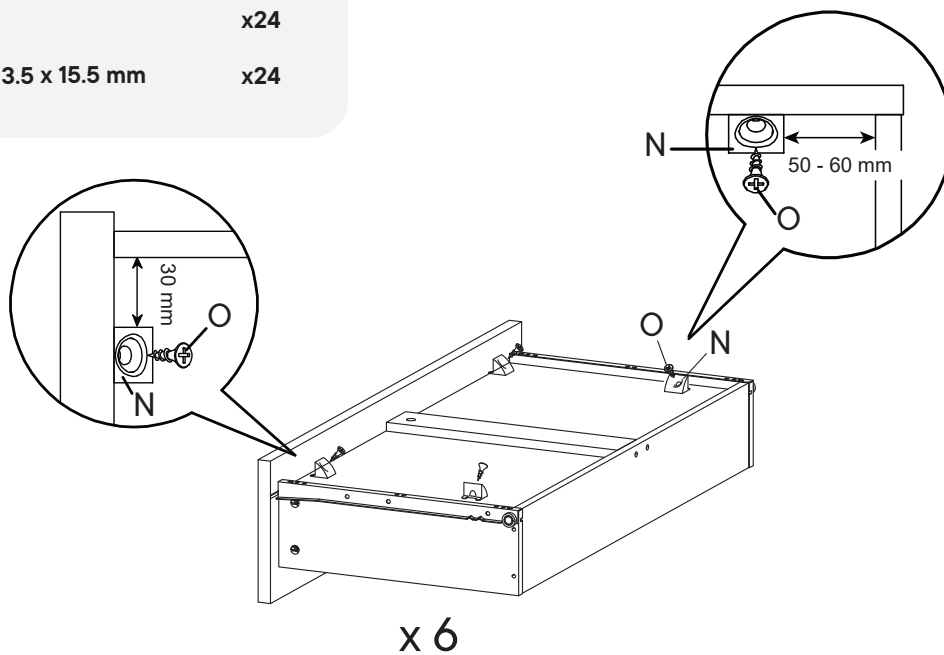
G	Handle	x6
H	Screw M 3.5 x 13 mm	x36
M	Screw M 4 x 22 mm	x6
RM35A	Drawer Runner	x6



Step 4

HARDWARE

N	Wedge	x24
O	Screw M 3.5 x 15.5 mm	x24



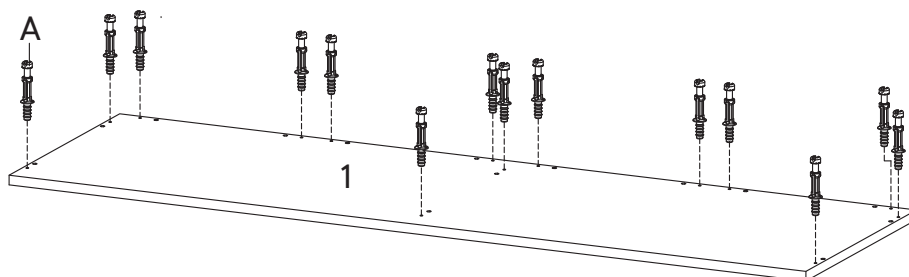
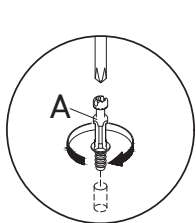
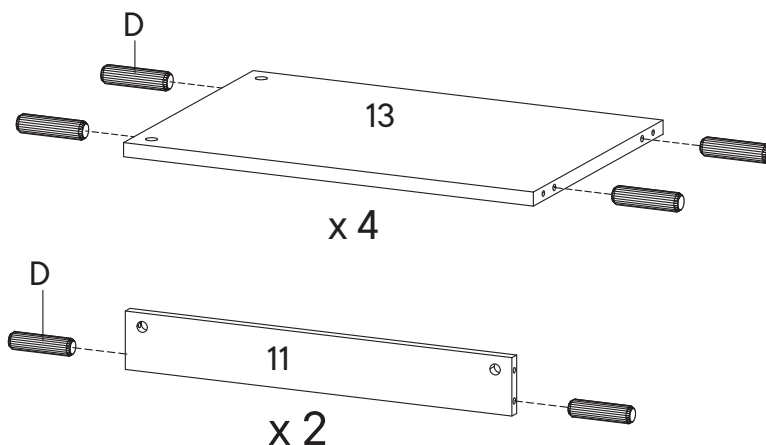
Step 5

HARDWARE

- A** Cam Bolt $\varnothing 6 \times 35$ mm x14
- D** Wood Dowel $\varnothing 8 \times 30$ mm x20

COMPONENTS

- 1** Top Board x1
- 11** Support Board x2
- 13** Back Board x4



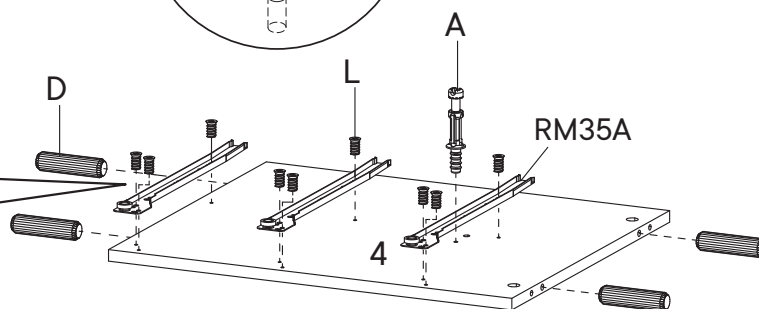
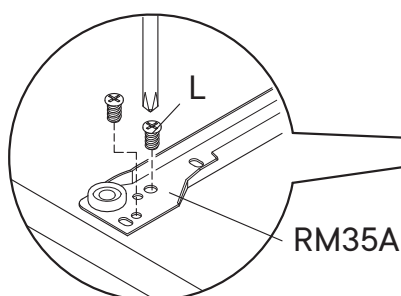
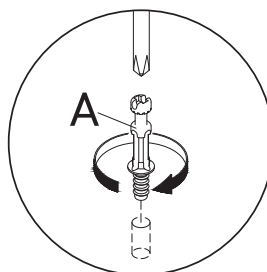
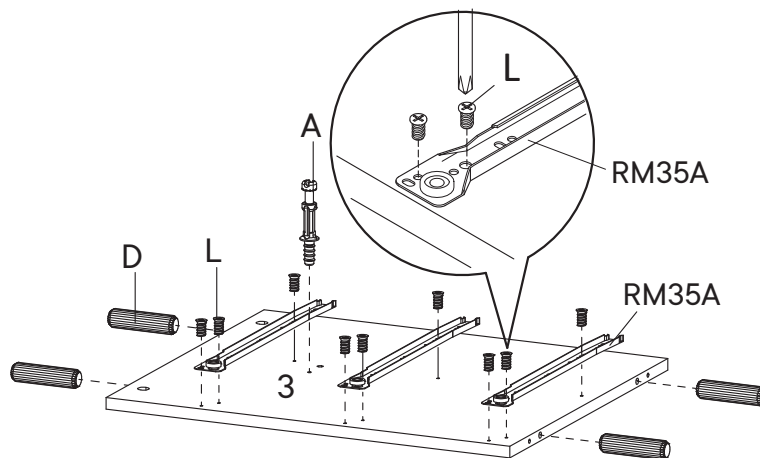
Step 6

HARDWARE

- A** Cam Bolt $\varnothing 6 \times 35$ mm x2
- D** Wood Dowel $\varnothing 8 \times 30$ mm x8
- L** Screw M 6 x 10.5 mm x18
- RM35A** Drawer Runner x3

COMPONENTS

- 3** Side Board Left x1
- 4** Side Board Right x1



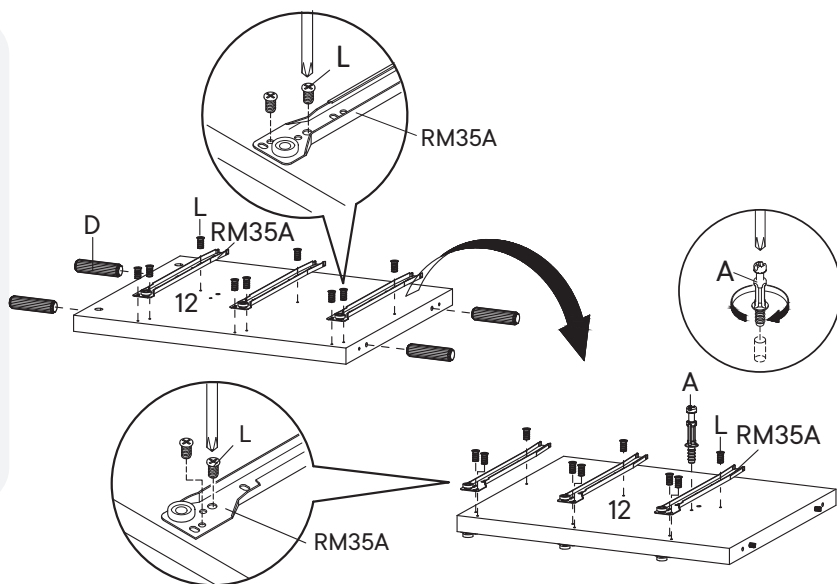
Step 7

HARDWARE

- A** Cam Bolt Ø6 x 35 mm x1
- D** Wood Dowel Ø8 x 30 mm x4
- L** Screw M 6 x 10.5 mm x18
- RM35A** Drawer Runner x3

COMPONENTS

- 12** Center Board x1



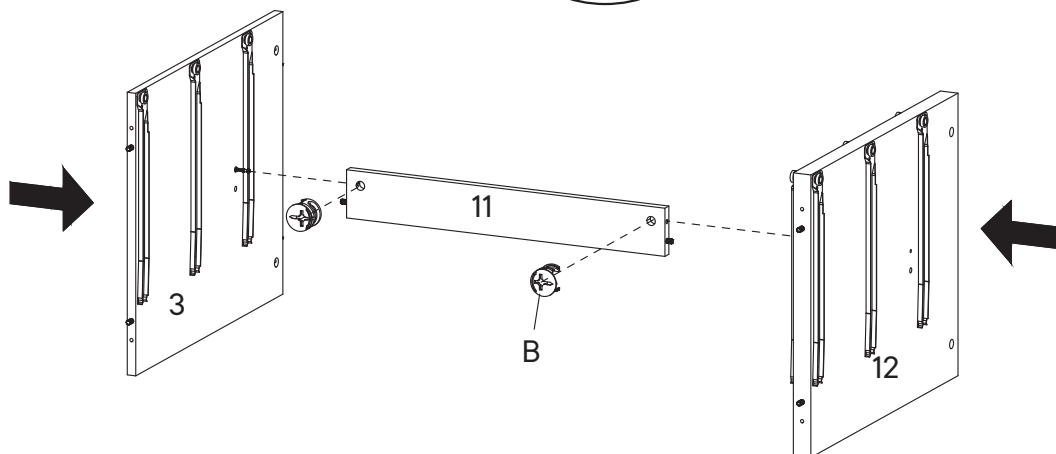
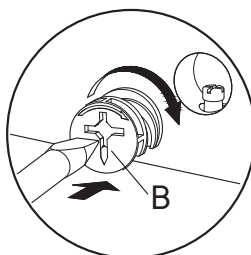
Step 8

HARDWARE

- B** Cam Lock Ø15 mm x2

COMPONENTS

- 3** Side Board Left x1
- 11** Support Board x1
- 12** Center Board x1



Step 9

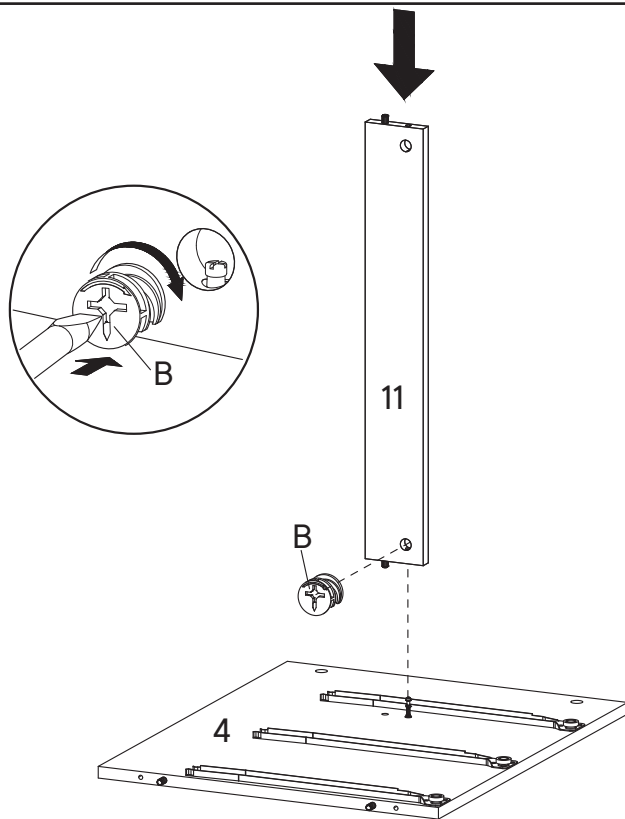
HARDWARE

B Cam Lock Ø15 mm x1

COMPONENTS

4 Side Board Right x1

11 Support Board x1



Step 10

HARDWARE

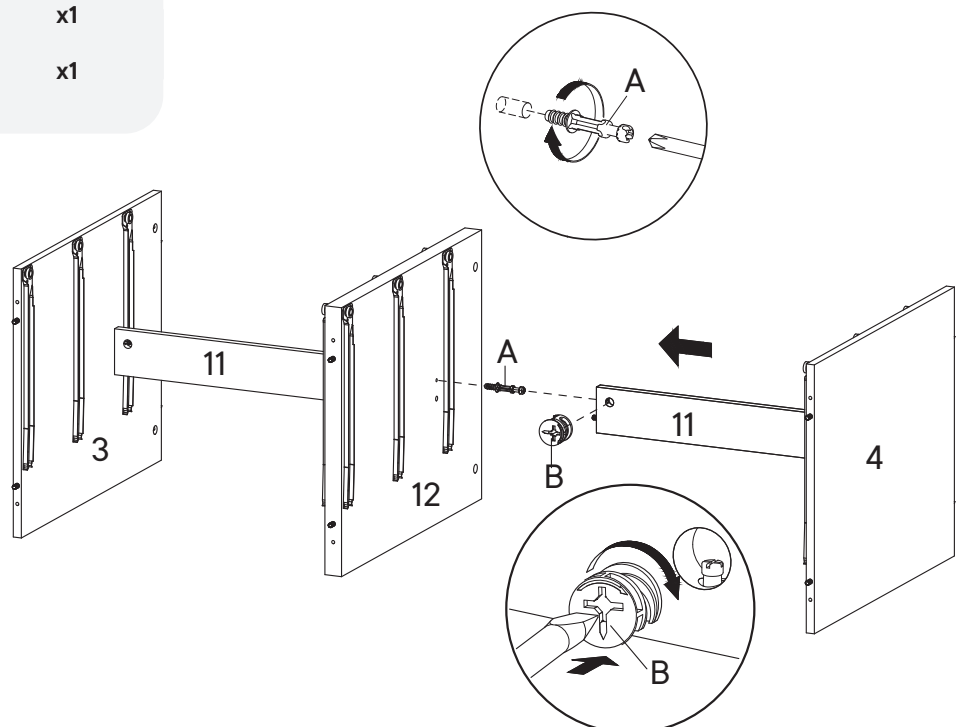
A Cam Bolt Ø6 x 35 mm x1

B Cam Lock Ø15 mm x1

COMPONENTS

4 Side Board Right x1

11 Support Board x1



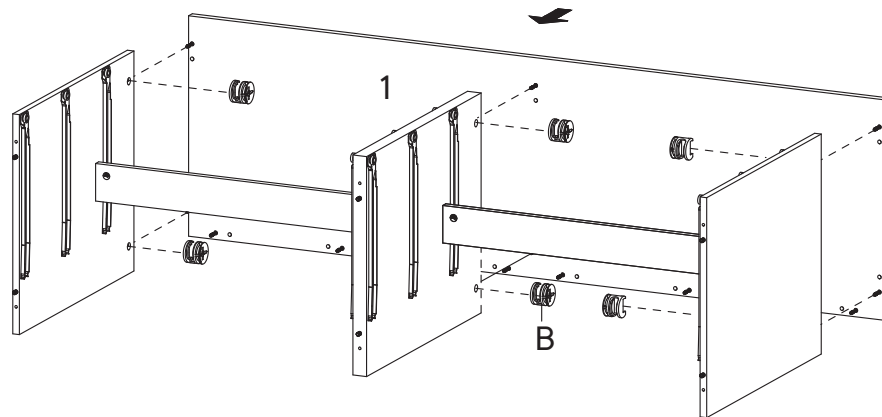
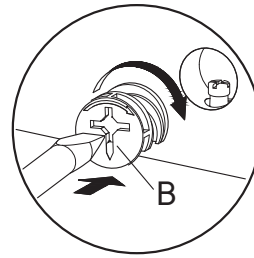
Step 11

HARDWARE

B Cam Lock Ø15 mm x6

COMPONENTS

1 Top Board x1



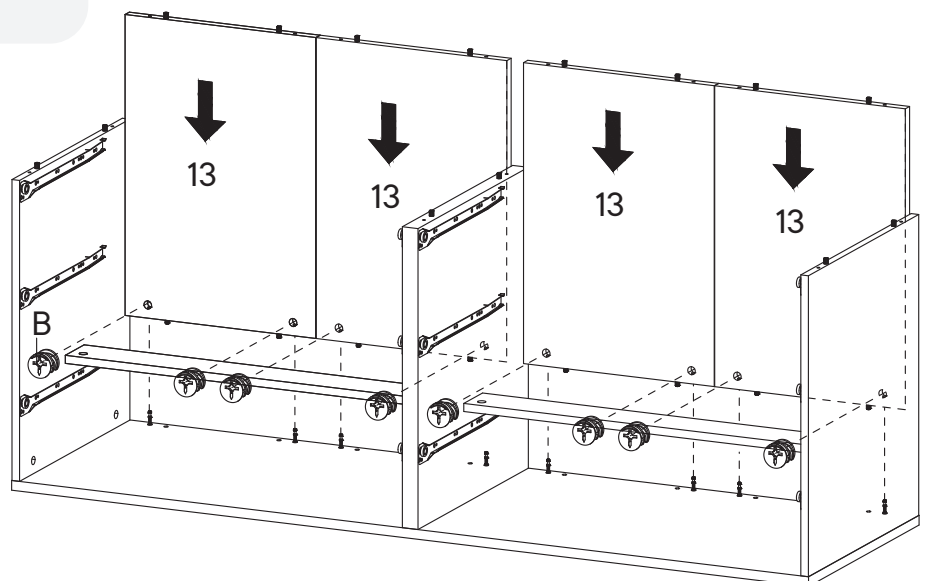
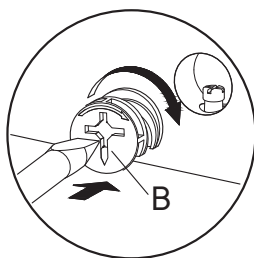
Step 12

HARDWARE

B Cam Lock Ø15 mm x8

COMPONENTS

13 Back Board x4



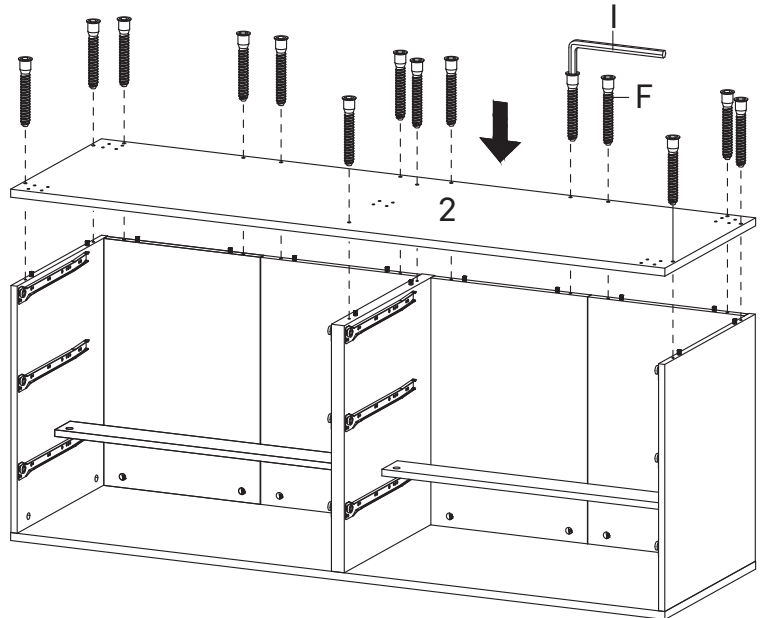
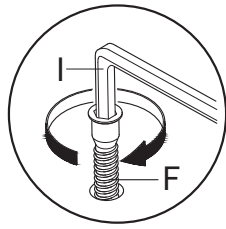
Step 13

HARDWARE

- F** Screw M 7 x 50 mm x14
- I** Allen Key x1

COMPONENTS

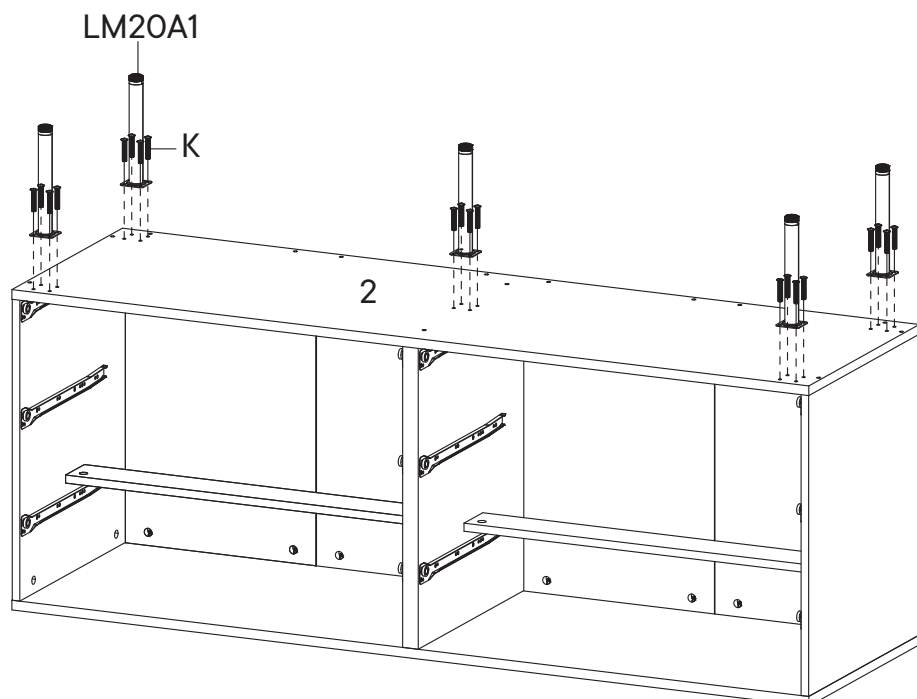
- 2** Bottom Board x1



Step 14

HARDWARE

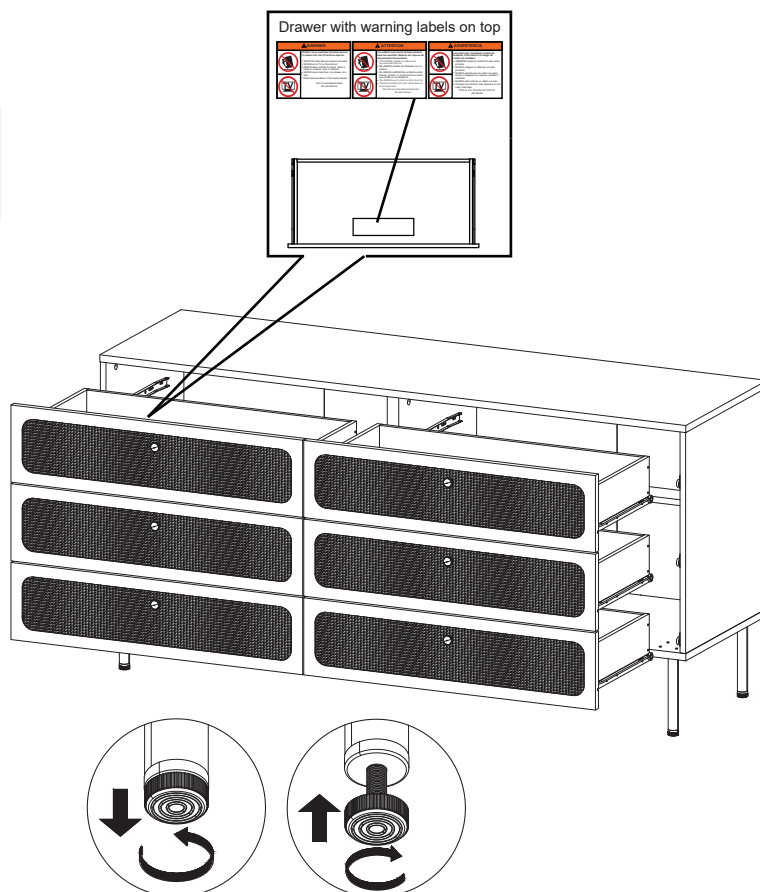
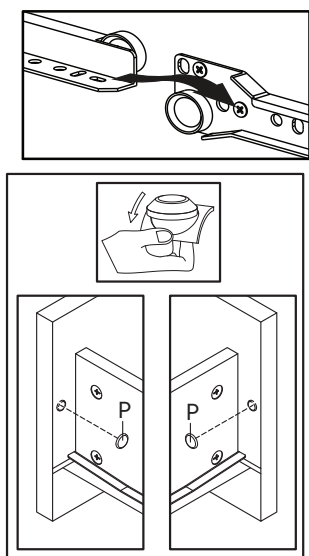
- K** Screw M 4 x 20 mm x20
- LM20A1** Leg Metal x5



Step 15

HARDWARE

P Silicon Bumper x12



Great job!

Chest drawer assembly is complete.

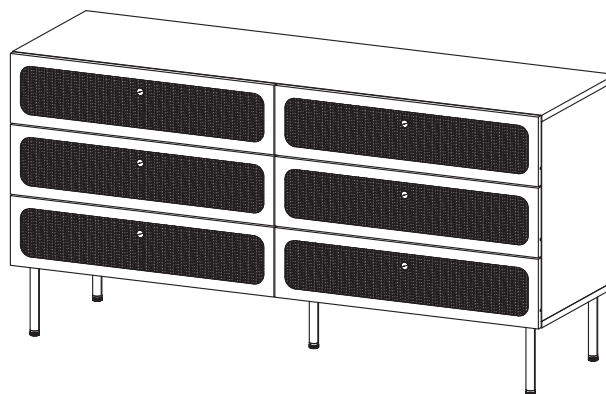
♥ CARING FOR YOUR ITEM

Indoor use only.

Not contract grade.

Clean using a non-abrasive cloth and a mild cleaner.

Never use harsh chemicals, as they could damage the finish or integrity of the item.



CONNECT WITH US!   

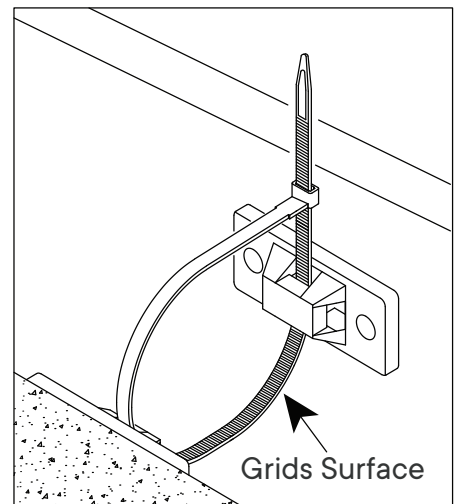
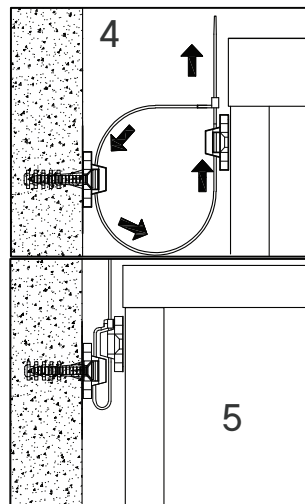
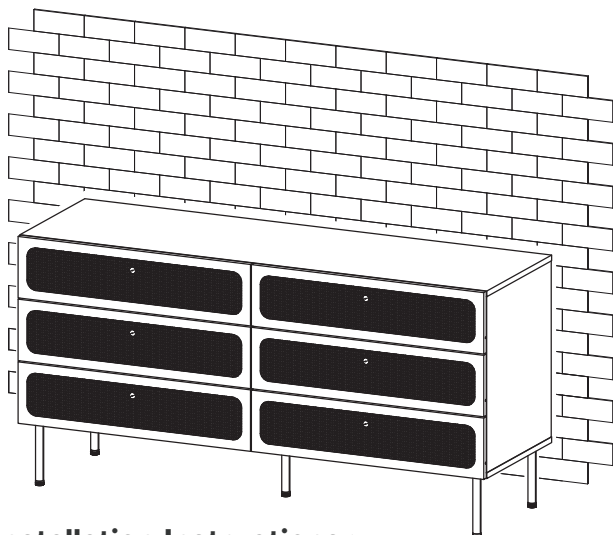
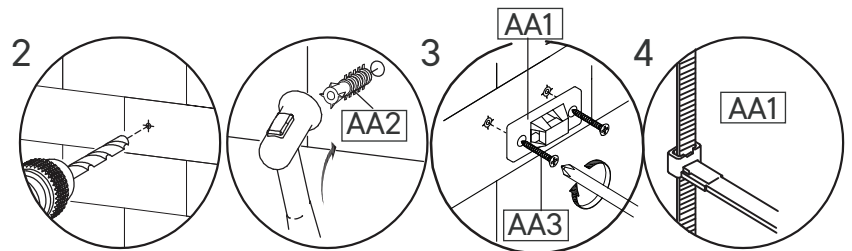
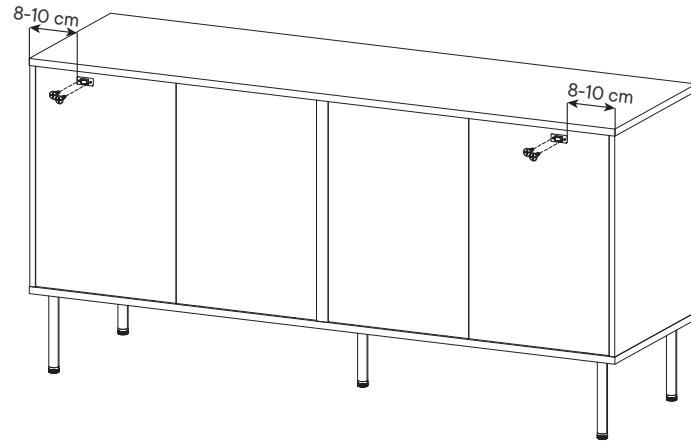
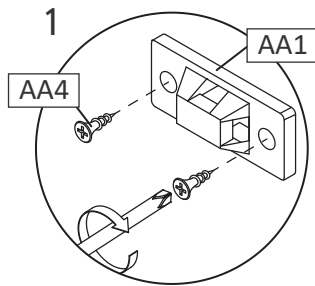
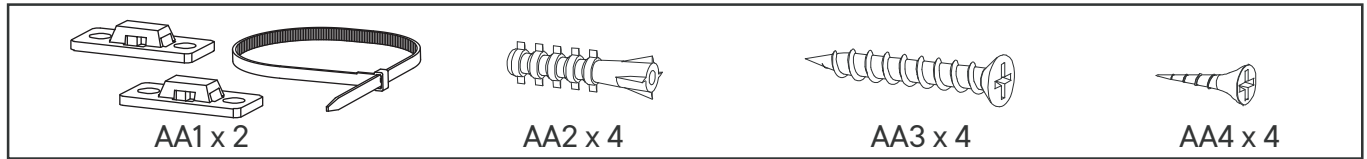
Tag us @modway_furniture and #modway for a chance to be featured.

TIPPING RESTRAINTS KIT INSTALLATION GUIDANCE

Different wall materials require unique wall fasteners.

The wall plugs (AA2) and screws (AA3) are designed for fixing to concrete walls only.

Please consult your local hardware store to ensure you are using the correct hardware for you wall type.



Installation Instructions :

1. Attach bracket (AA1) securely to the back top of the furniture using screw (AA4) provided. Allow 8 - 10 cm from each side.
2. Please make a hole for wall plugs position on the wall and minimum 15 mm below bracket secured to the back of unit attach the wall plugs (AA2).
3. Locate the other bracket (AA1) on the wall over wall plugs (AA2). Place furniture into position so both brackets (AA1) are vertically in the line.
4. Lace the end of the restrains strap through the larger hole in each bracket. Ensure the restrains strap with grids surface facing the inner loops. Bring both ends together and slide the flat end through the locking end and draw it through until all slack is removed.
5. Make sure that the strap is securely laced & locked.