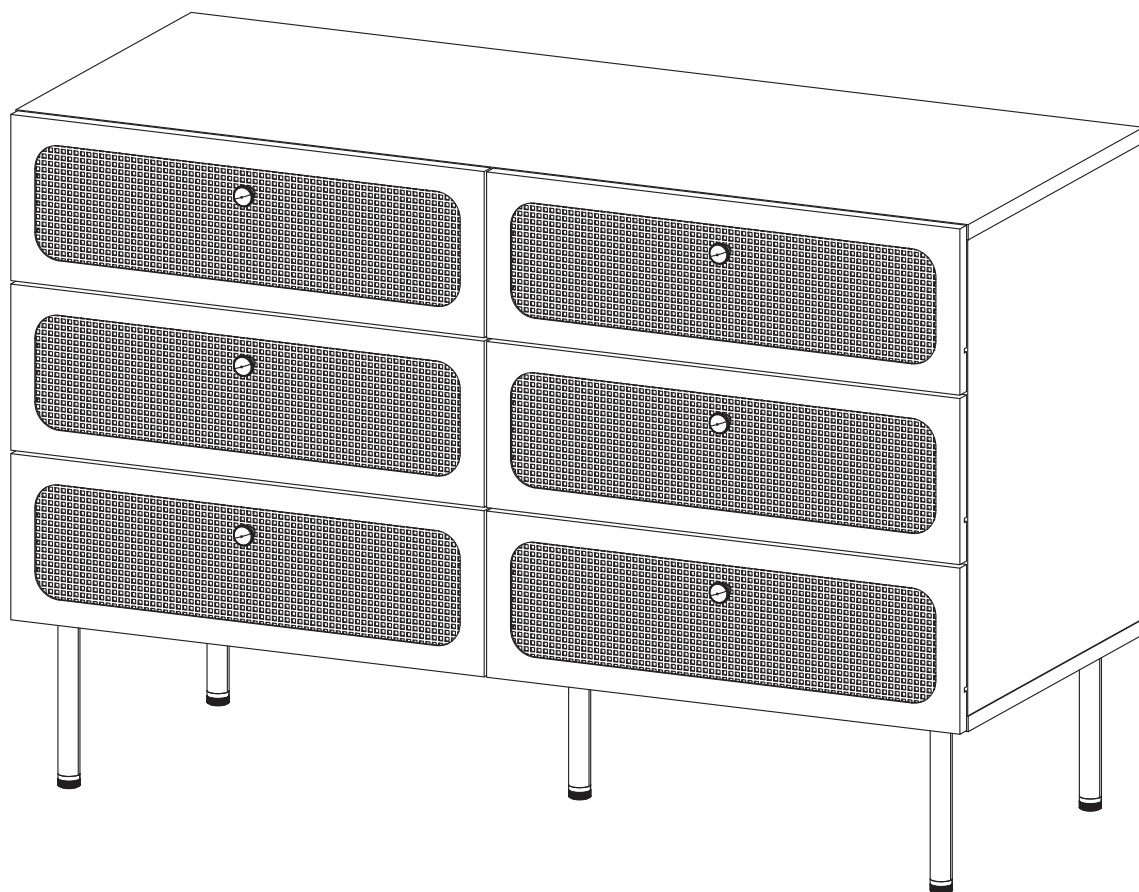


## ASSEMBLY INSTRUCTIONS

# MOD-7066

V0.09.09.22



**Questions? Contact us!**

609.256.9000 • [cs@modway.com](mailto:cs@modway.com)  
[www.modway.com](http://www.modway.com)

\*modway

# Let's get started!

\*modway



Read through all of the instructions before starting



Care instructions are listed in the last step of this manual



Approx. 60 minutes assembly time



Make sure you have all parts and components before discarding any packing materials



2 people recommended for assembly

**Only use hand tools to assemble this item.** Do not use power tools. Do not tighten bolts or screws completely until all hardware is lined up and inserted into the holes.

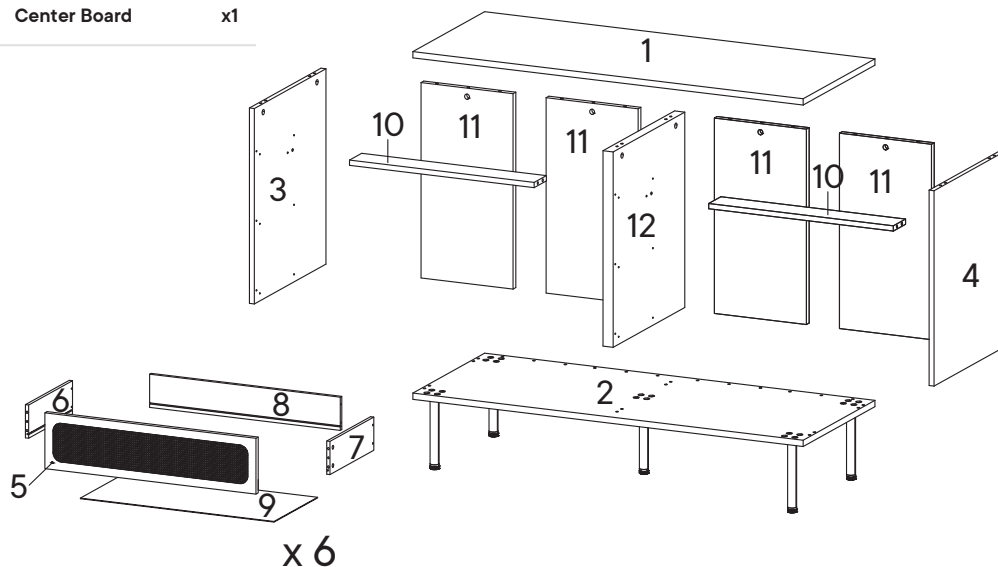
Do not over-tighten screws and bolts to avoid stripping the hardware or cracking the item.

Assemble your item on a flat, carpeted area, with plenty of space to work. This will prevent damage and scratches to your floors or the item while you're assembling the product.

Keep all components and packaging out of reach of children or animals to avoid risk of choking or suffocation.

## Furniture components:

1	Top Board	x1	11	Back Board	x4
2	Bottom Board	x1	12	Center Board	x1
3	Side Board Left	x1			
4	Side Board Right	x1			
5	Front Drawer	x6			
6	Side Drawer Left	x6			
7	Side Drawer Right	x6			
8	Back Drawer	x6			
9	Bottom Drawer	x6			
10	Support Board	x2			



## Provided hardware:

A		Cam Bolt $\varnothing 6 \times 35$ mm	x38	J		Screw M 8 x 39 mm	x24
B		Cam Lock $\varnothing 15$ mm	x14	K		Screw M 4 x 20 mm	x20
C		Cam Lock $\varnothing 12$ mm	x24	L		Screw M 6 x 10.5 mm	x36
D		Wood Dowel $\varnothing 8 \times 30$ mm	x32	M		Screw M 4 x 22 mm	x6
E		Wood Dowel $\varnothing 6 \times 30$ mm	x12	N		Wedge	x24
F		Screw M 7 x 50 mm	x10	O		Screw M 3.5 x 15.5 mm	x24
G		Handle	x6	P		Silicon Bumper	x12
H		Screw M 3.5 x 13 mm	x36	RM35A		Drawer Runner	x6
I		Allen Key	x2	LM20A1		Leg Metal	x5

## What you need:

Phillips Head Screwdriver

Wait!

Missing parts or hardware? Need assistance?  
Contact us before returning your item. We're here to help!  
609.256.9000 • cs@modway.com

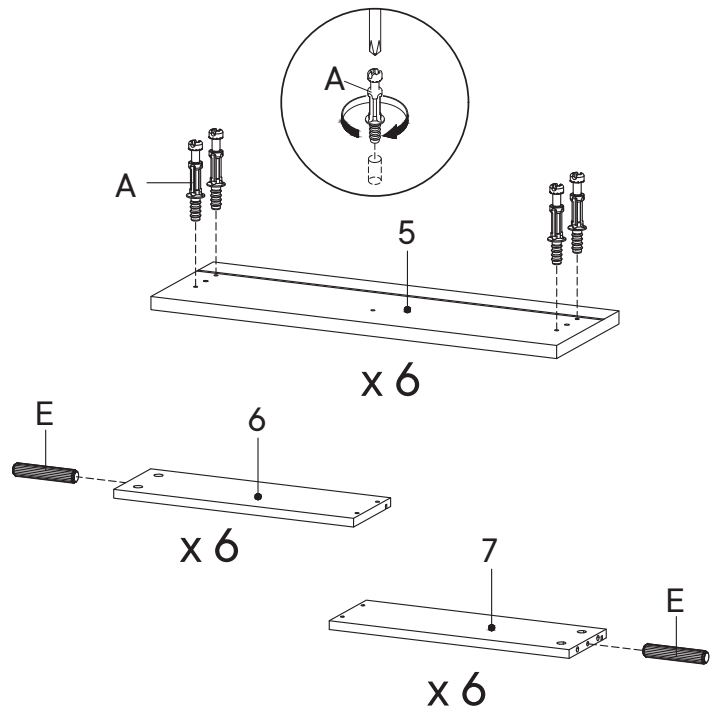
# Step 1

## HARDWARE

- A** Cam Bolt Ø6 x 35 mm x24
- E** Wood Dowel Ø6 x 30 mm x12

## COMPONENTS

- 5** Front Drawer x6
- 6** Side Drawer Left x6
- 7** Side Drawer Right x6



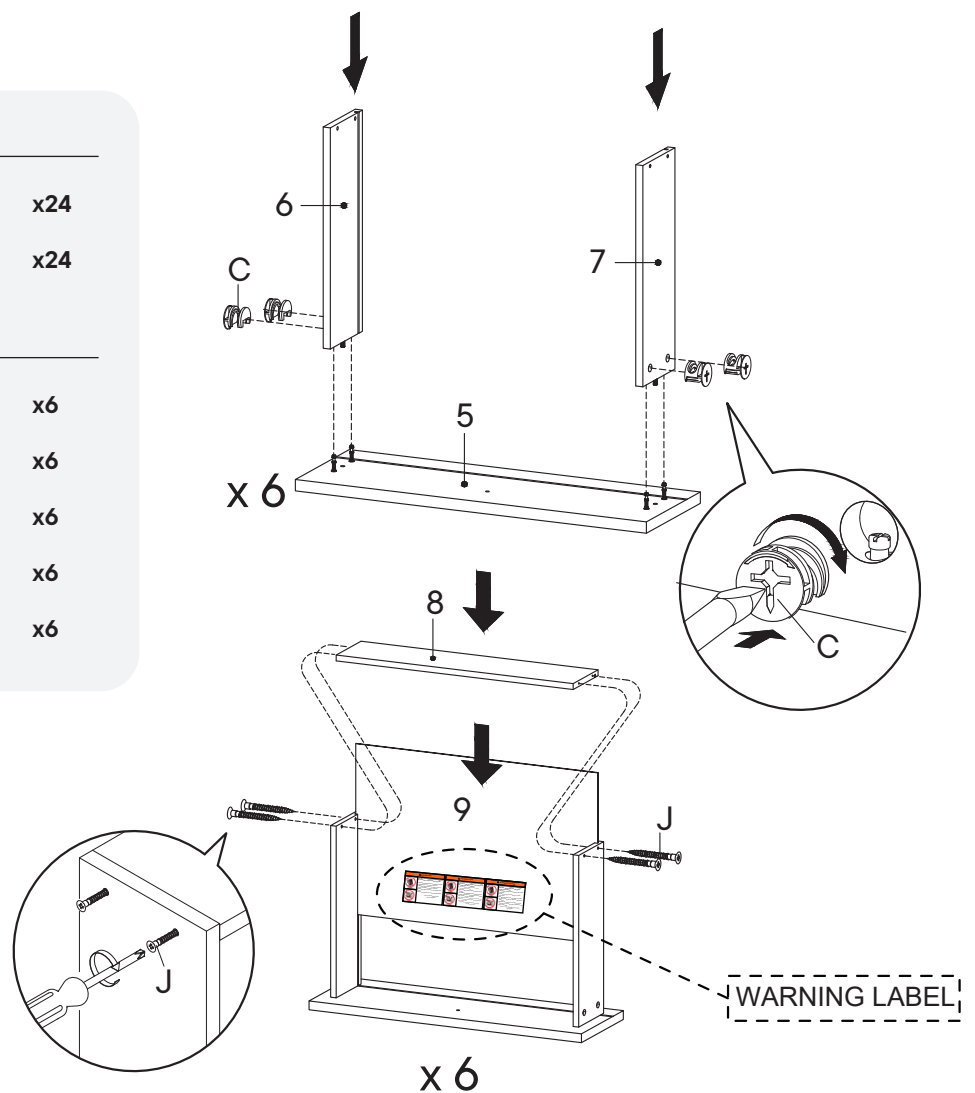
# Step 2

## HARDWARE

- C** Cam Lock Ø12 mm x24
- J** Screw M 8 x 39 mm x24

## COMPONENTS

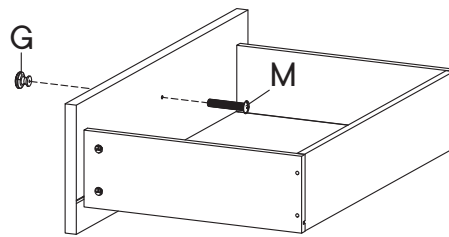
- 5** Front Drawer x6
- 6** Side Drawer Left x6
- 7** Side Drawer Right x6
- 8** Back Drawer x6
- 9** Bottom Drawer x6



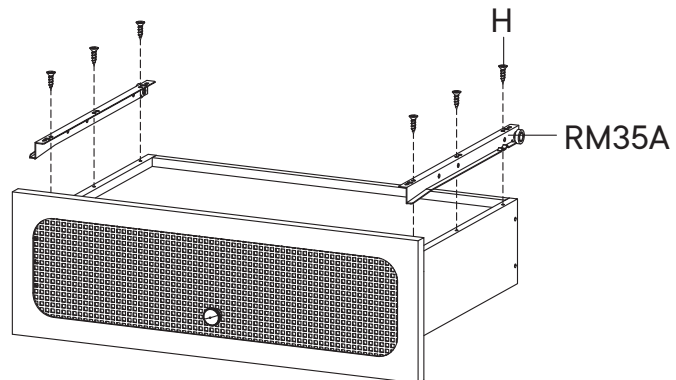
## Step 3

### HARDWARE

<b>G</b>	Handle	x6
<b>H</b>	Screw M 3.5 x 13 mm	x36
<b>M</b>	Screw M 4 x 22 mm	x6
<b>RM35A</b>	Drawer Runner	x6



x 6

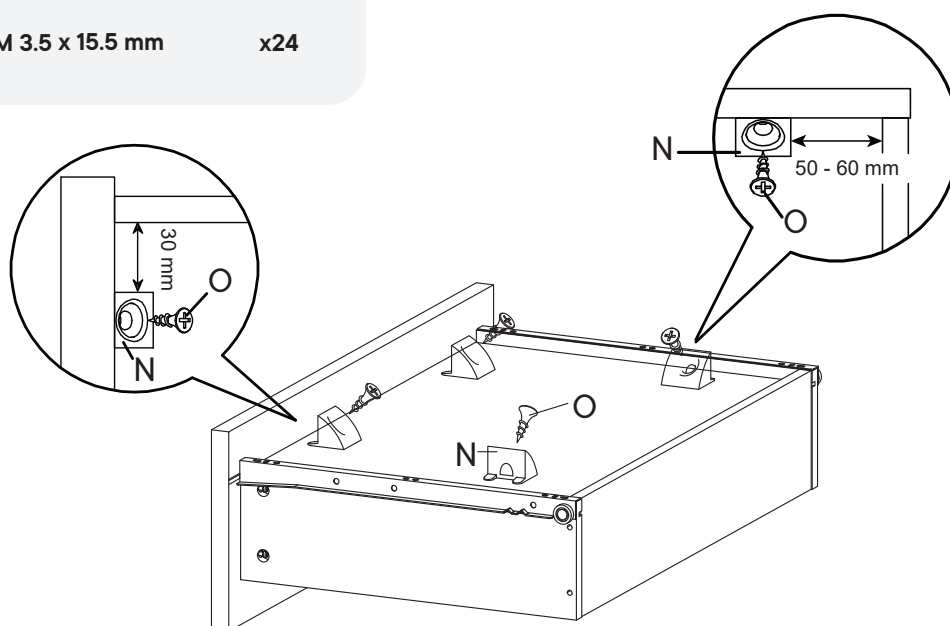


x 6

## Step 4

### HARDWARE

<b>N</b>	Wedge	x24
<b>O</b>	Screw M 3.5 x 15.5 mm	x24



x 6

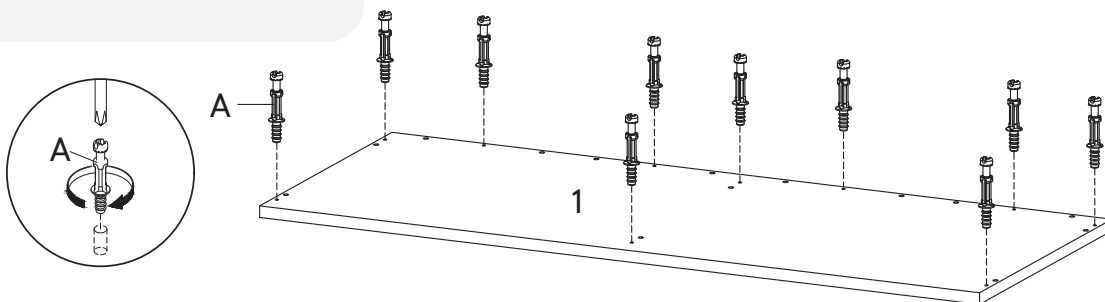
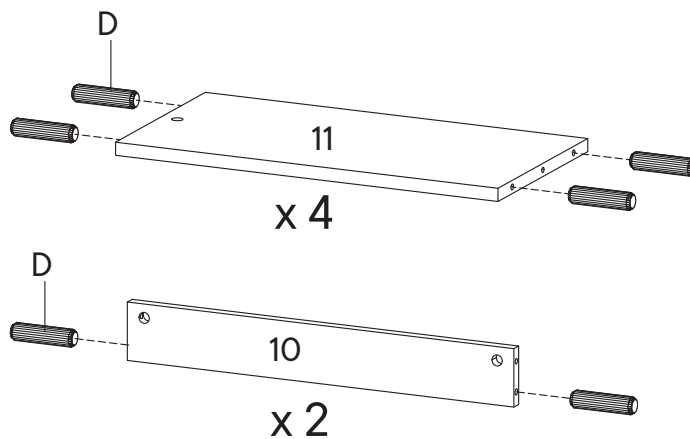
# Step 5

## HARDWARE

- A** Cam Bolt Ø6 x 35 mm x10
- D** Wood Dowel Ø8 x 30 mm x20

## COMPONENTS

- 1** Top Board x1
- 10** Support Board x2
- 11** Back Board x4



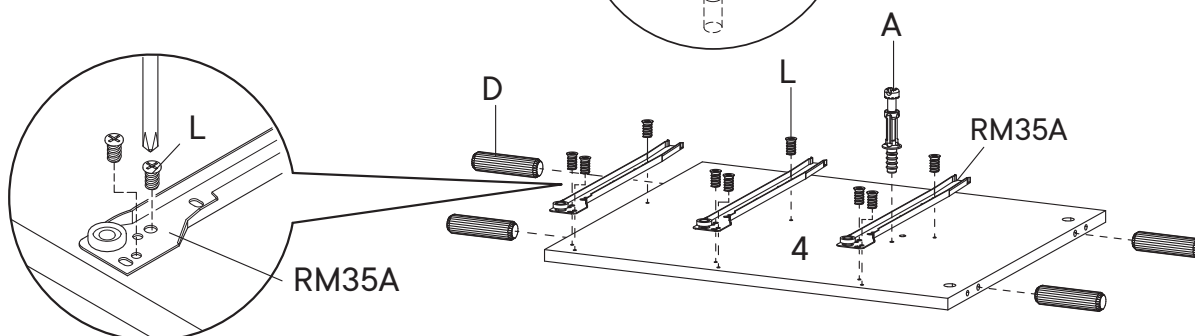
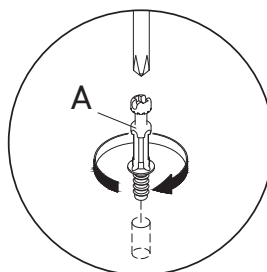
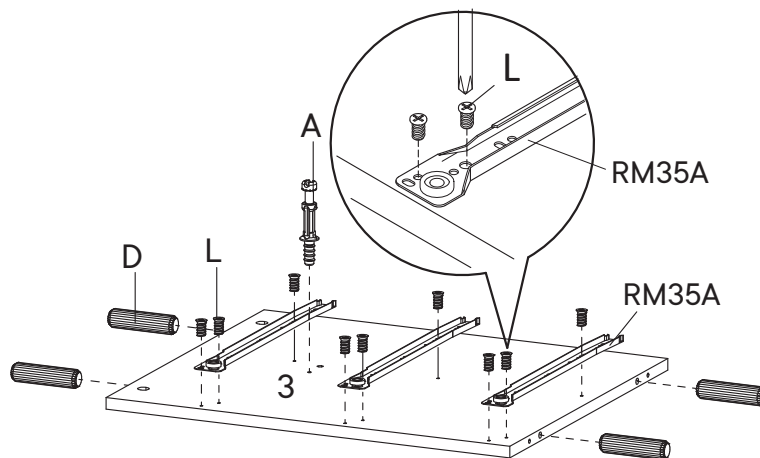
# Step 6

## HARDWARE

- A** Cam Bolt Ø6 x 35 mm x2
- D** Wood Dowel Ø8 x 30 mm x8
- L** Screw M 6 x 10.5 mm x18
- RM35A** Drawer Runner x3

## COMPONENTS

- 3** Side Board Left x1
- 4** Side Board Right x1



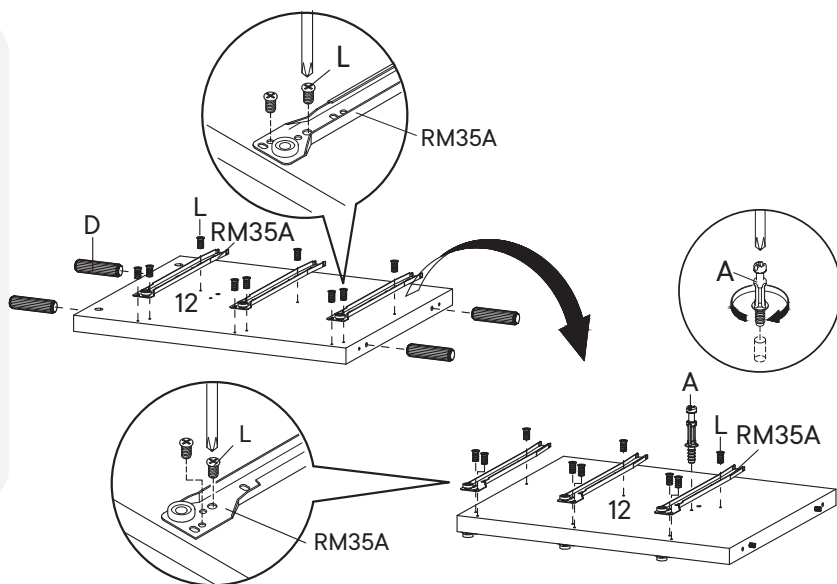
# Step 7

## HARDWARE

- A** Cam Bolt Ø6 x 35 mm x1
- D** Wood Dowel Ø8 x 30 mm x4
- L** Screw M 6 x 10.5 mm x18
- RM35A** Drawer Runner x3

## COMPONENTS

- 12** Center Board x1



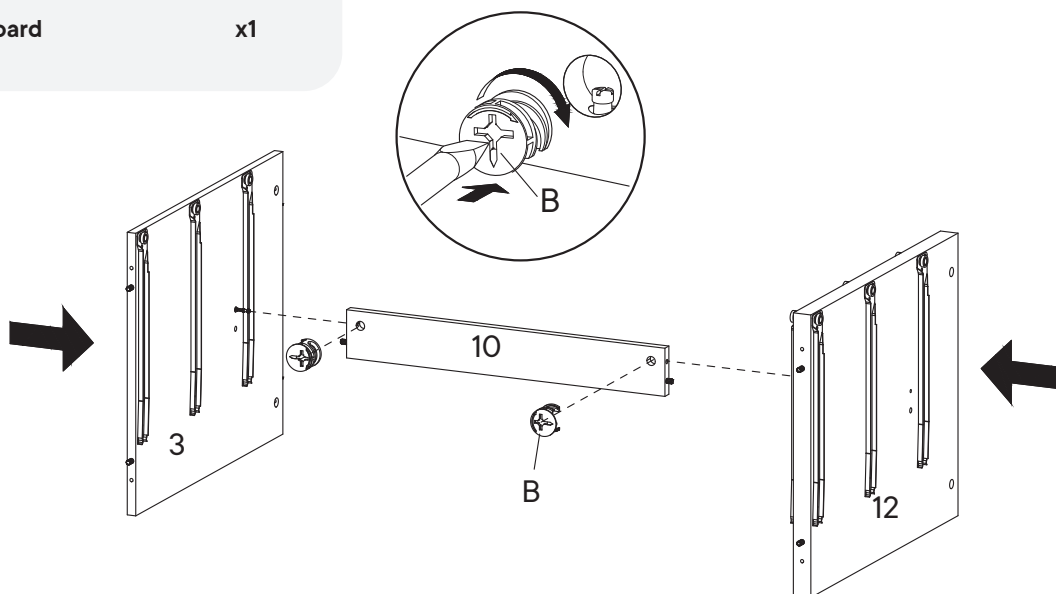
# Step 8

## HARDWARE

- B** Cam Lock Ø15 mm x2

## COMPONENTS

- 3** Side Board Left x1
- 10** Support Board x1
- 12** Center Board x1



# Step 9

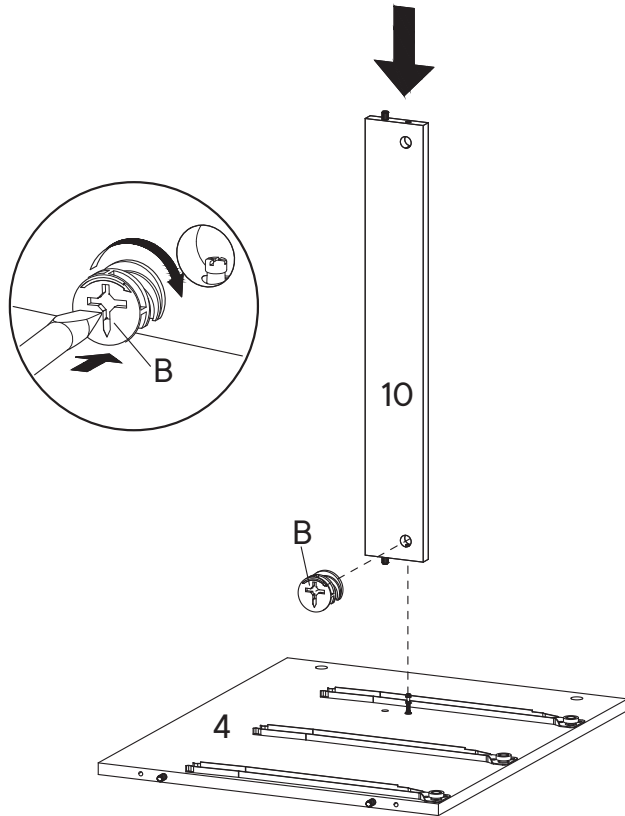
## HARDWARE

**B** Cam Lock Ø15 mm x1

## COMPONENTS

**4** Side Board Right x1

**10** Support Board x1



# Step 10

## HARDWARE

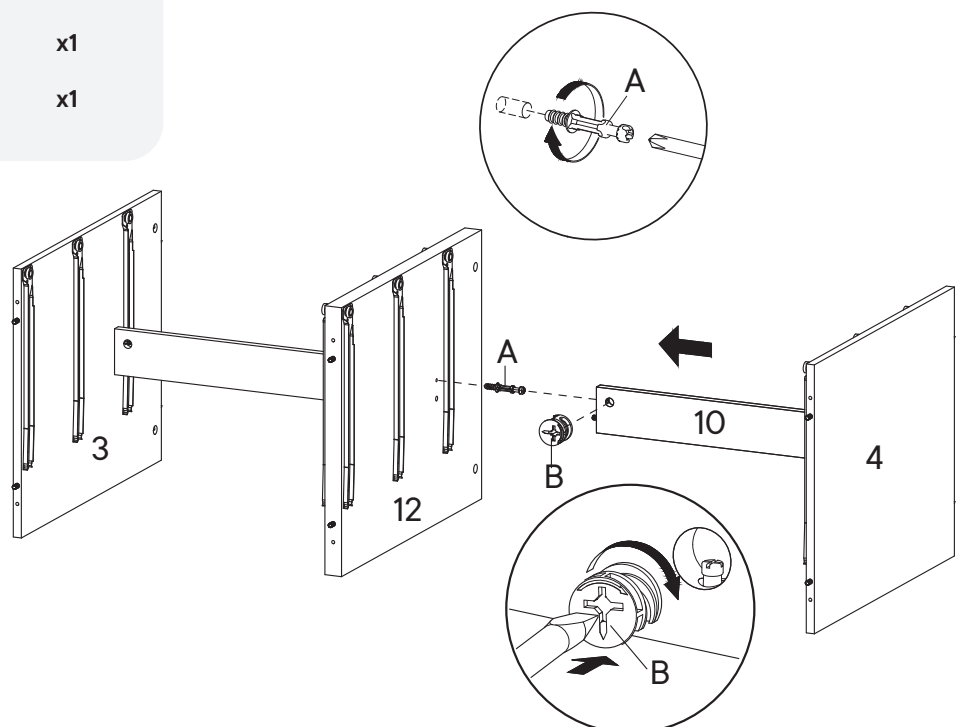
**A** Cam Bolt Ø6 x 35 mm x1

**B** Cam Lock Ø15 mm x1

## COMPONENTS

**4** Side Board Right x1

**10** Support Board x1



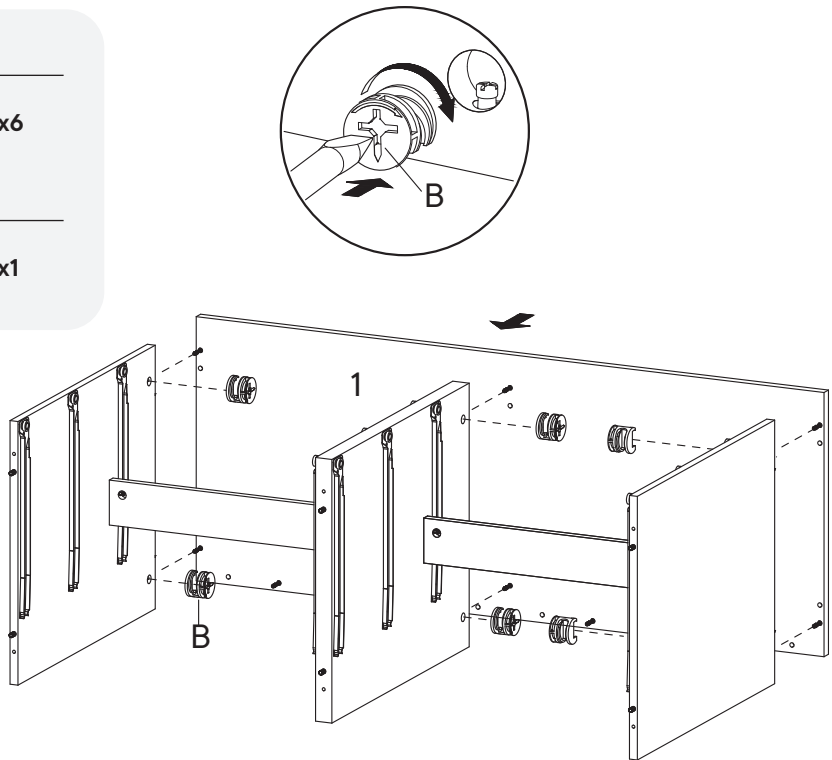
# Step 11

## HARDWARE

**B** Cam Lock Ø15 mm x6

## COMPONENTS

**1** Top Board x1



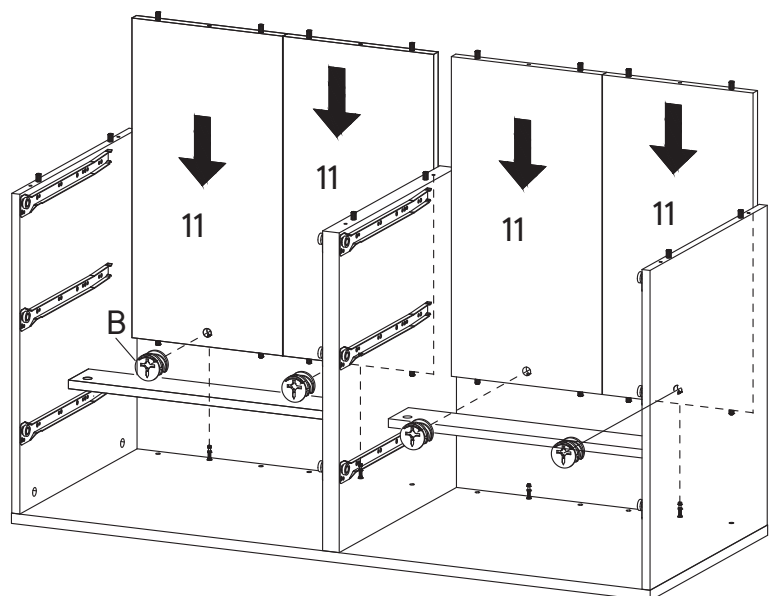
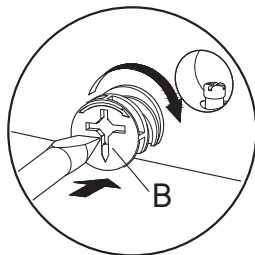
# Step 12

## HARDWARE

**B** Cam Lock Ø15 mm x4

## COMPONENTS

**11** Back Board x4





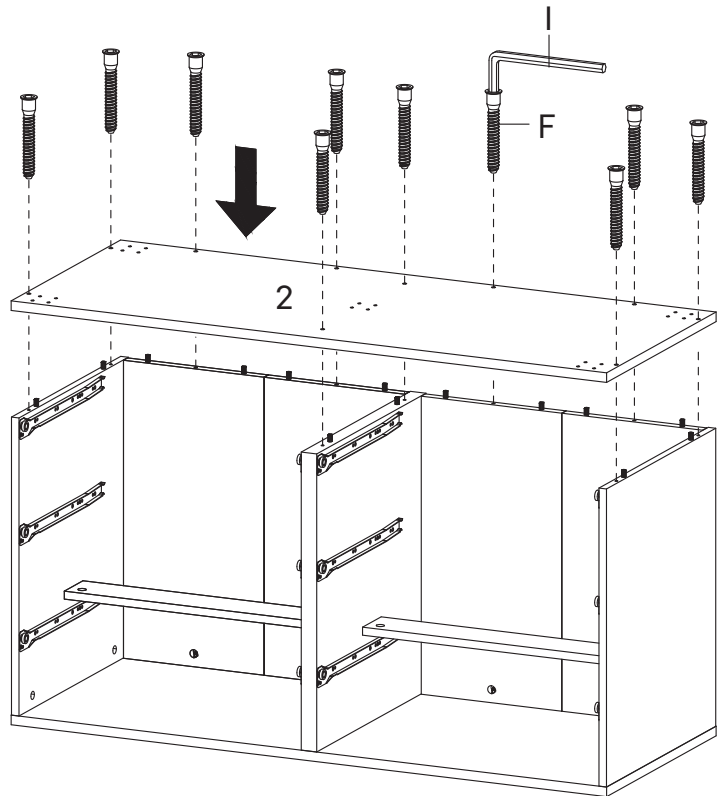
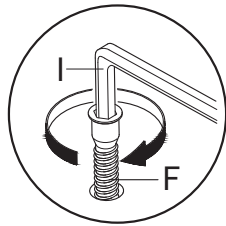
# Step 13

## HARDWARE

- F** Screw M 7 x 50 mm x10
- I** Allen Key x1

## COMPONENTS

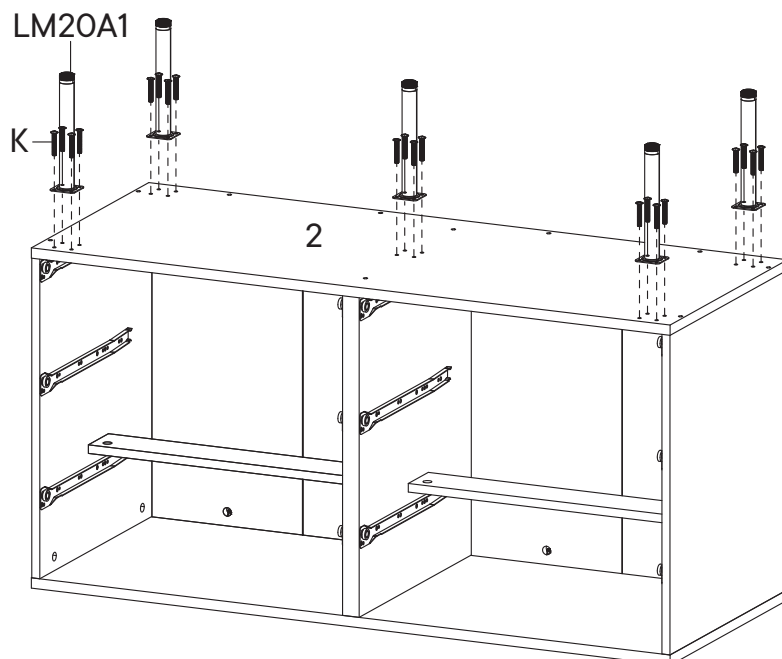
- 2** Bottom Board x1



# Step 14

## HARDWARE

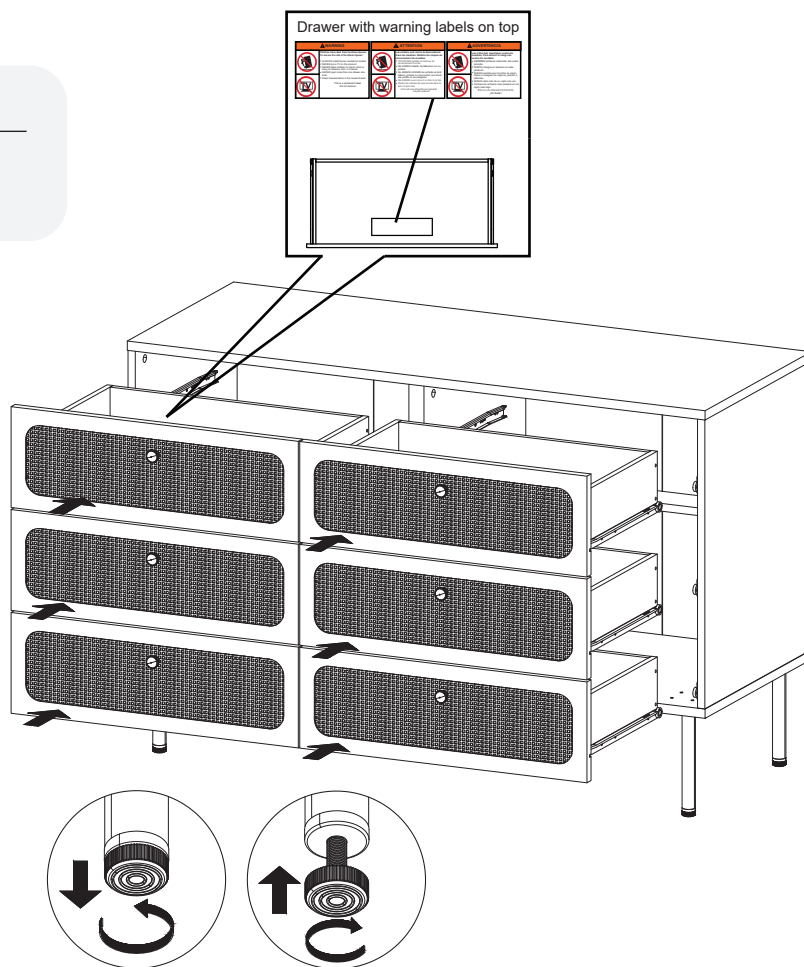
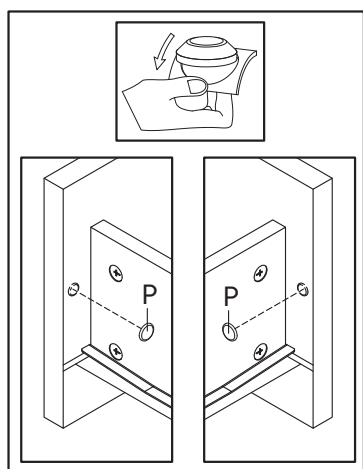
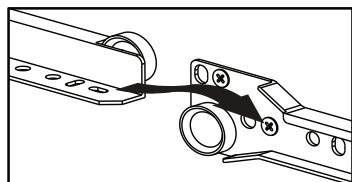
- K** Screw M 4 x 20 mm x20
- LM20A1** Leg Metal x5



# Step 15

## HARDWARE

**P** Silicon Bumper x12



## Great job!

Chest drawer assembly is complete.

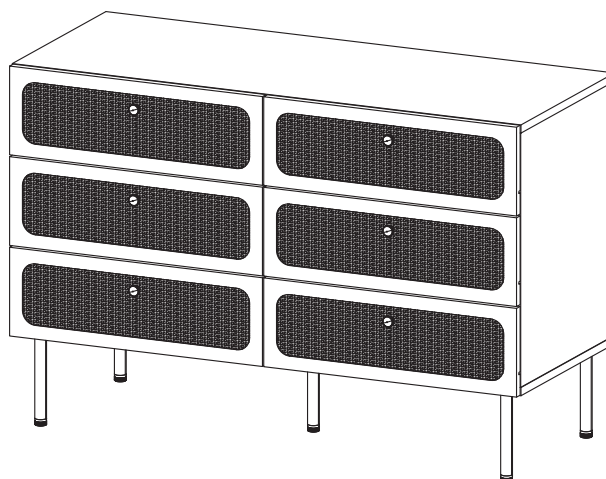
### ♥ CARING FOR YOUR ITEM

Indoor use only.

Not contract grade.

Clean using a non-abrasive cloth and a mild cleaner.

Never use harsh chemicals, as they could damage the finish or integrity of the item.



CONNECT WITH US!   

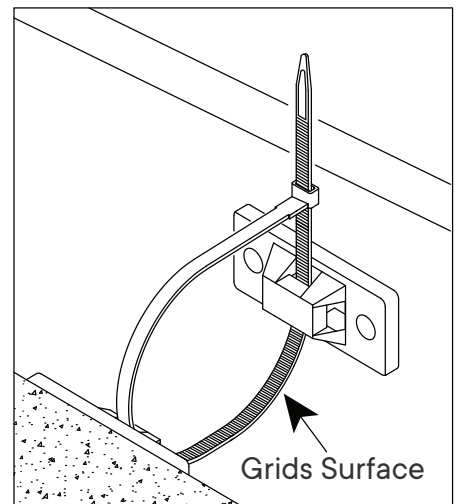
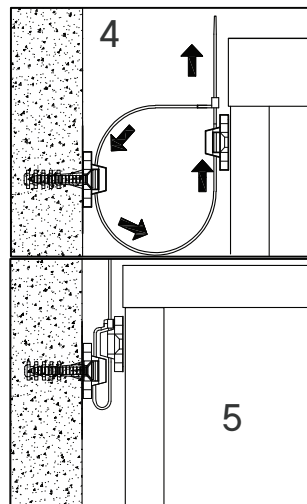
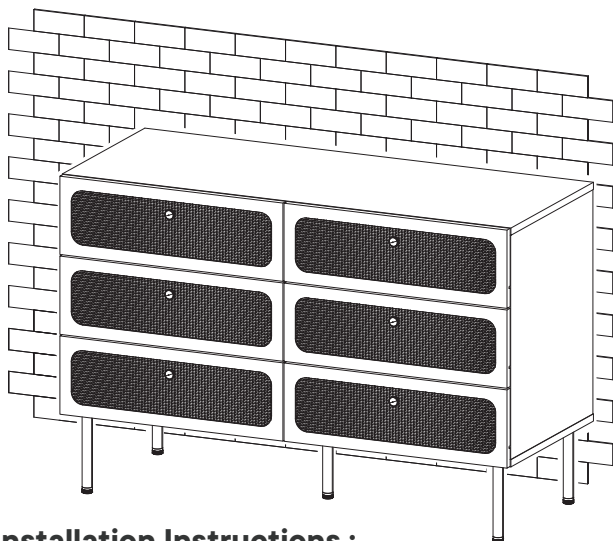
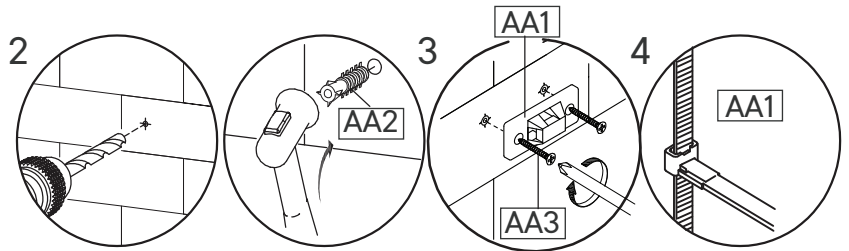
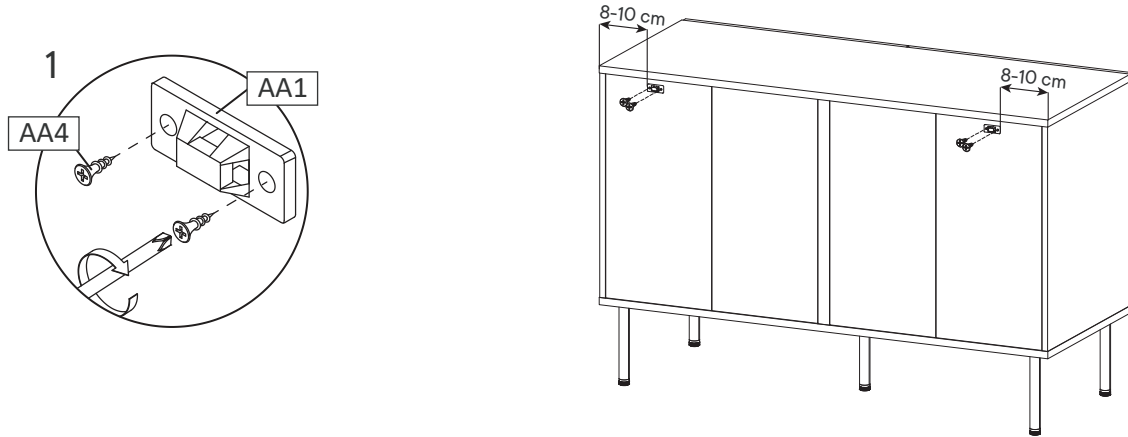
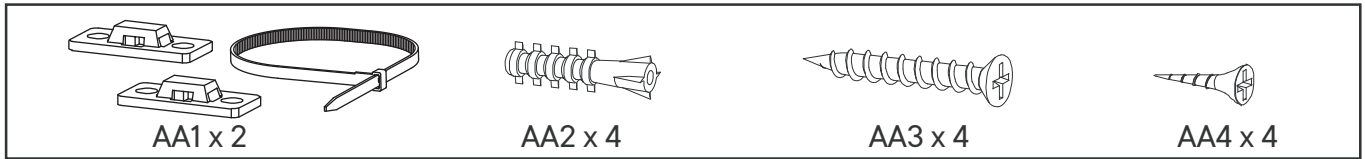
Tag us @modway\_furniture and #modway for a chance to be featured.

## TIPPING RESTRAINTS KIT INSTALLATION GUIDANCE

Different wall materials require unique wall fasteners.

The wall plugs (AA2) and screws (AA3) are designed for fixing to concrete walls only.

Please consult your local hardware store to ensure you are using the correct hardware for you wall type.



### Installation Instructions :

1. Attach bracket (AA1) securely to the back top of the furniture using screw (AA4) provided. Allow 8 - 10 cm from each side.
2. Please make a hole for wall plugs position on the wall and minimum 15 mm below bracket secured to the back of unit attach the wall plugs (AA2).
3. Locate the other bracket (AA1) on the wall over wall plugs (AA2). Place furniture into position so both brackets (AA1) are vertically in the line.
4. Lace the end of the restrains strap through the larger hole in each bracket. Ensure the restrains strap with grids surface facing the inner loops. Bring both ends together and slide the flat end through the locking end and draw it through until all slack is removed.
5. Make sure that the strap is securely laced & locked.