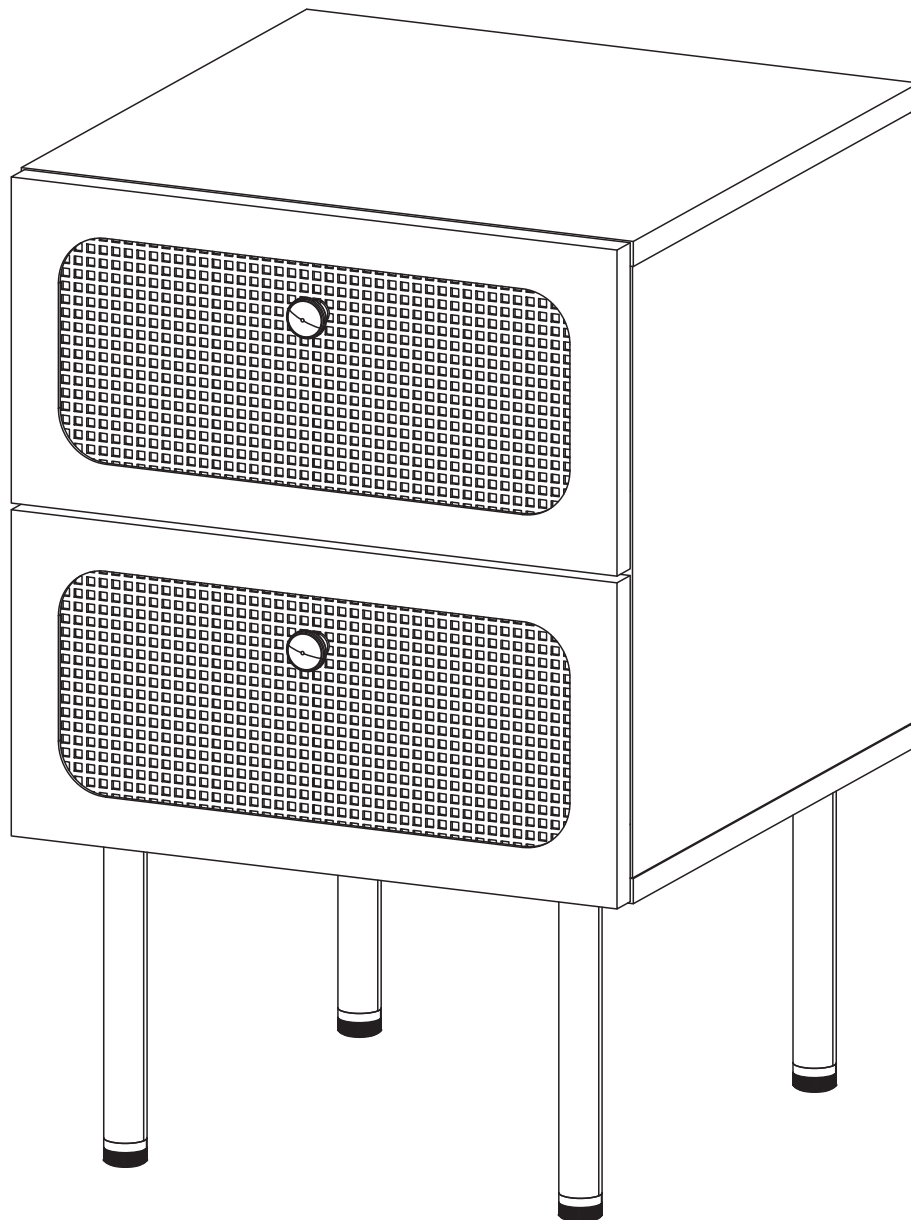


ASSEMBLY INSTRUCTIONS

MOD-7063

V0.09.09.22



Questions? Contact us!

609.256.9000 • cs@modway.com
www.modway.com

*modway



Read through all of the instructions before starting



Care instructions are listed in the last step of this manual

Only use hand tools to assemble this item. Do not use power tools. Do not tighten bolts or screws completely until all hardware is lined up and inserted into the holes.



Approx. 45 minutes assembly time



Make sure you have all parts and components before discarding any packing materials

Do not over-tighten screws and bolts to avoid stripping the hardware or cracking the item.

Assemble your item on a flat, carpeted area, with plenty of space to work. This will prevent damage and scratches to your floors or the item while you're assembling the product.

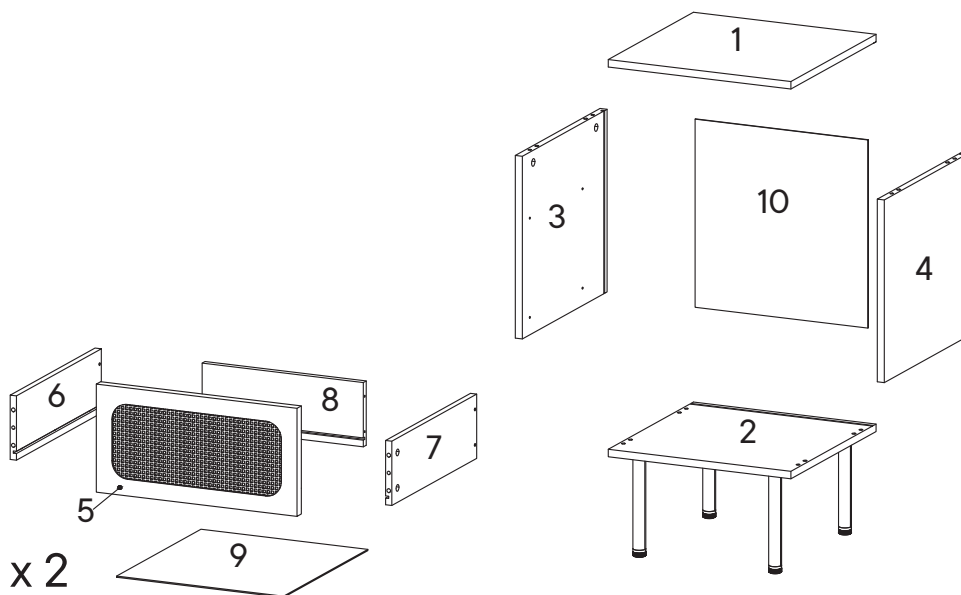


1 people recommended for assembly

Keep all components and packaging out of reach of children or animals to avoid risk of choking or suffocation.

Furniture components:

1	Top Board	x1
2	Bottom Board	x1
3	Side Board Left	x1
4	Side Board Right	x1
5	Front Drawer	x2
6	Side Drawer Left	x2
7	Side Drawer Right	x2
8	Back Drawer	x2
9	Bottom Drawer	x2
10	Back Board	x1



Provided hardware:

A		Cam Bolt Ø6 x 35 mm	x12	J		Screw M 8 x 39 mm	x8
B		Cam Lock Ø15 mm	x4	K		Screw M 4.5 x 12.5 mm	x16
C		Cam Lock Ø12 mm	x8	L		Screw M 6 x 10.5 mm	x8
D		Wood Dowel Ø8 x 30 mm	x8	M		Screw M 4 x 22 mm	x2
E		Wood Dowel Ø6 x 30 mm	x4	N		Wedge	x16
F		Screw M 7 x 50 mm	x4	O		Screw M 3.5 x 15.5 mm	x16
G		Handle	x2	P		Silicon Bumper	x4
H		Screw M 3.5 x 13 mm	x12	RM35A		Drawer Runner	x2
I		Allen Key	x1	LM20A1		Leg Metal	x4

What you need:



Wait!

Missing parts or hardware? Need assistance?
Contact us before returning your item. We're here to help!
609.256.9000 • cs@modway.com

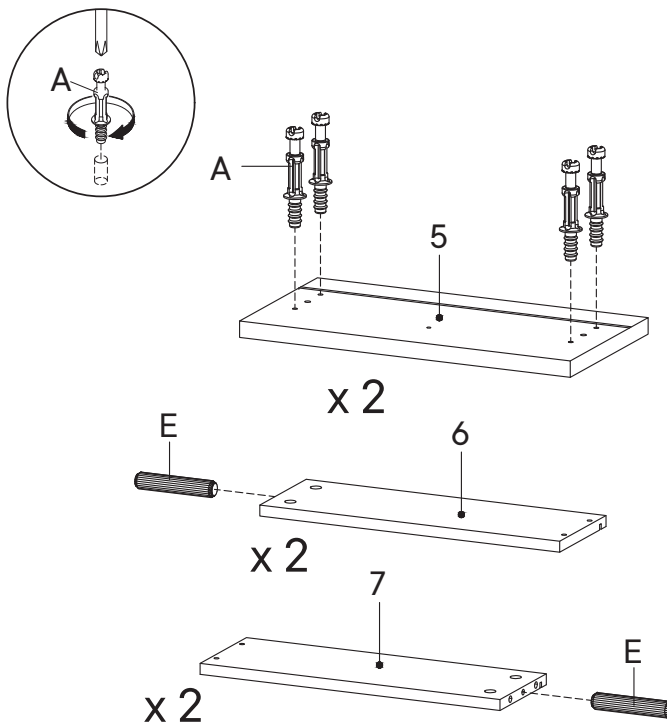
Step 1

HARDWARE

- A** Cam Bolt $\varnothing 6 \times 35$ mm x8
- E** Wood Dowel $\varnothing 6 \times 30$ mm x4

COMPONENTS

- 5** Front Drawer x2
- 6** Side Drawer Left x2
- 7** Side Drawer Right x2



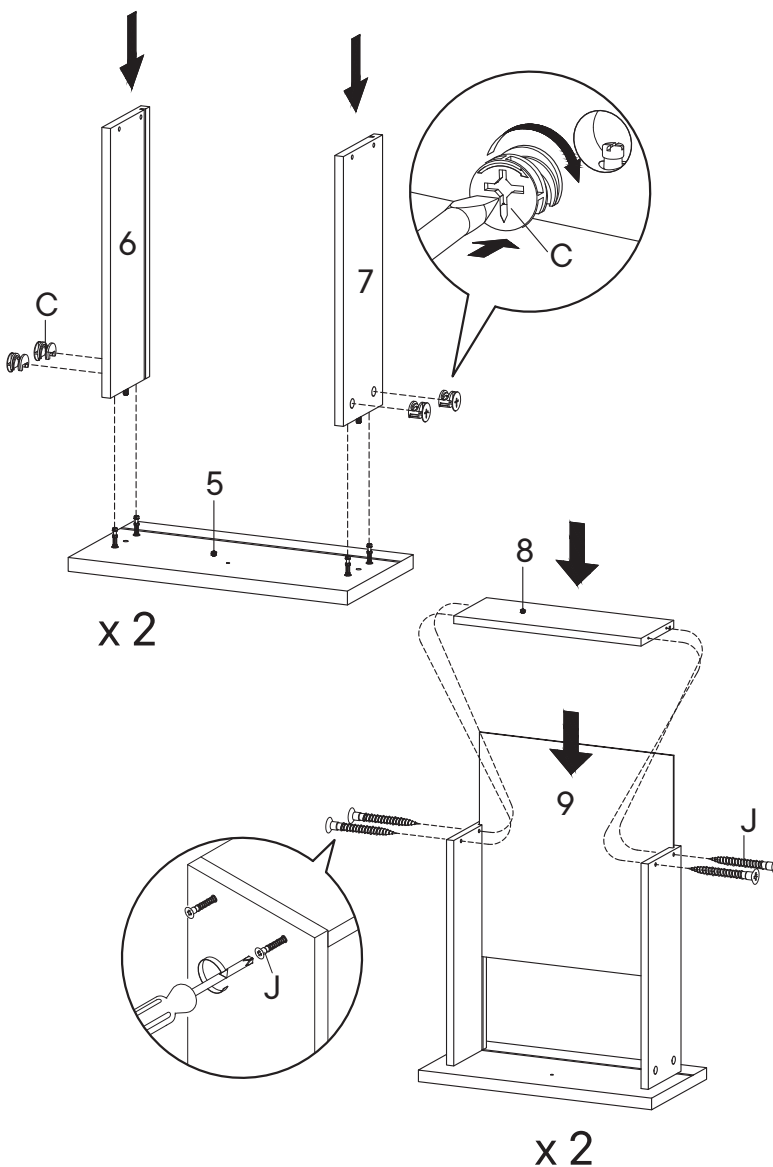
Step 2

HARDWARE

- C** Cam Lock $\varnothing 12$ mm x8
- J** Screw M 8 x 39 mm x8

COMPONENTS

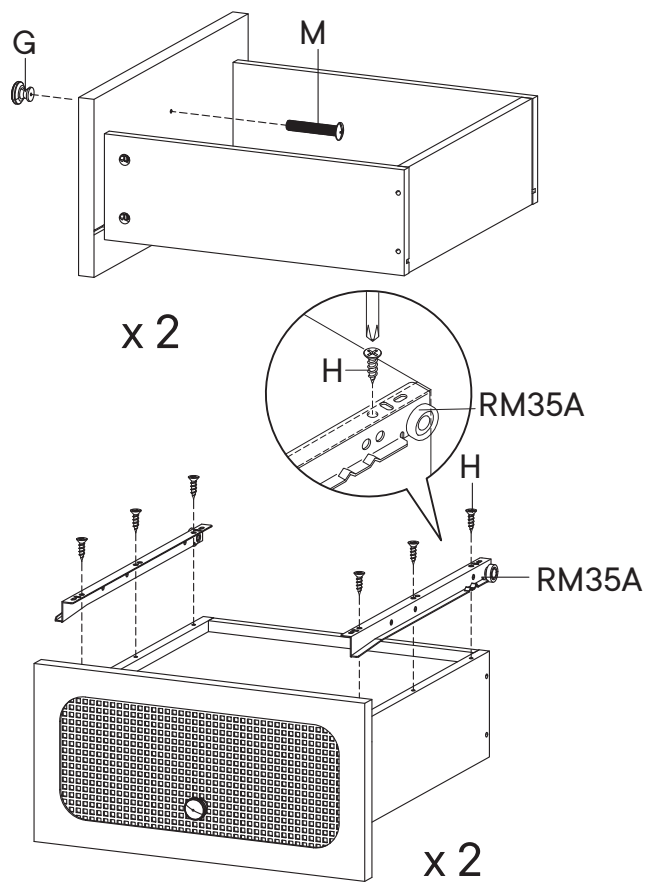
- 5** Front Drawer x2
- 6** Side Drawer Left x2
- 7** Side Drawer Right x2
- 8** Back Drawer x2
- 9** Bottom Drawer x2



Step 3

HARDWARE

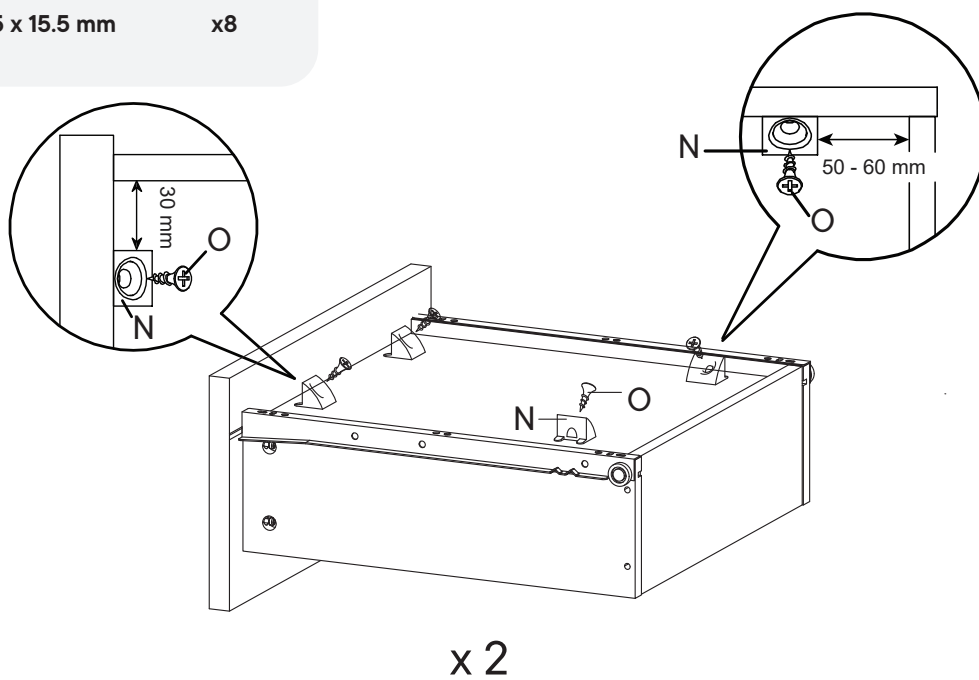
G	Handle	x2
H	Screw M 3.5 x 13 mm	x12
M	Screw M 4 x 22 mm	x2
RM35A	Drawer Runner	x2



Step 4

HARDWARE

N	Wedge	x8
O	Screw M 3.5 x 15.5 mm	x8



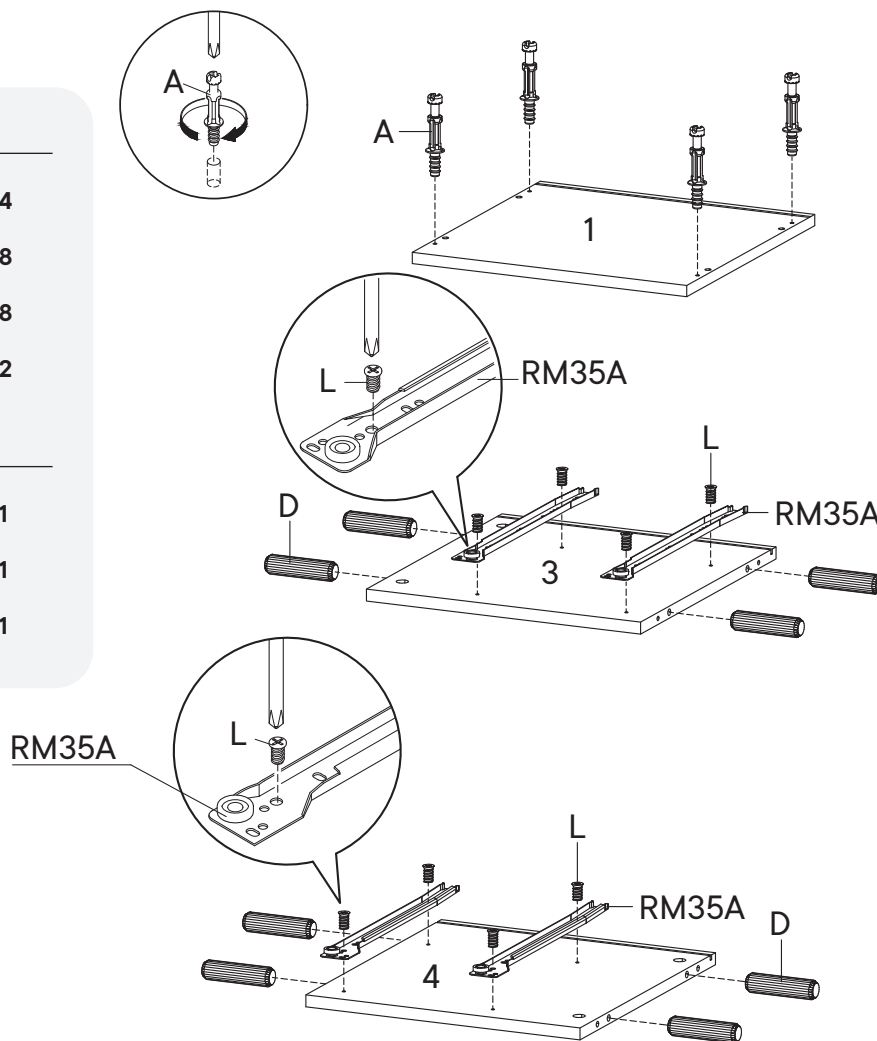
Step 5

HARDWARE

- A** Cam Bolt Ø6 x 35 mm x4
- D** Wood Dowel Ø8 x 30 mm x8
- L** Screw M 6 x 10.5 mm x8
- RM35A** Drawer Runner x2

COMPONENTS

- 1** Top Board x1
- 3** Side Board Left x1
- 4** Side Board Right x1



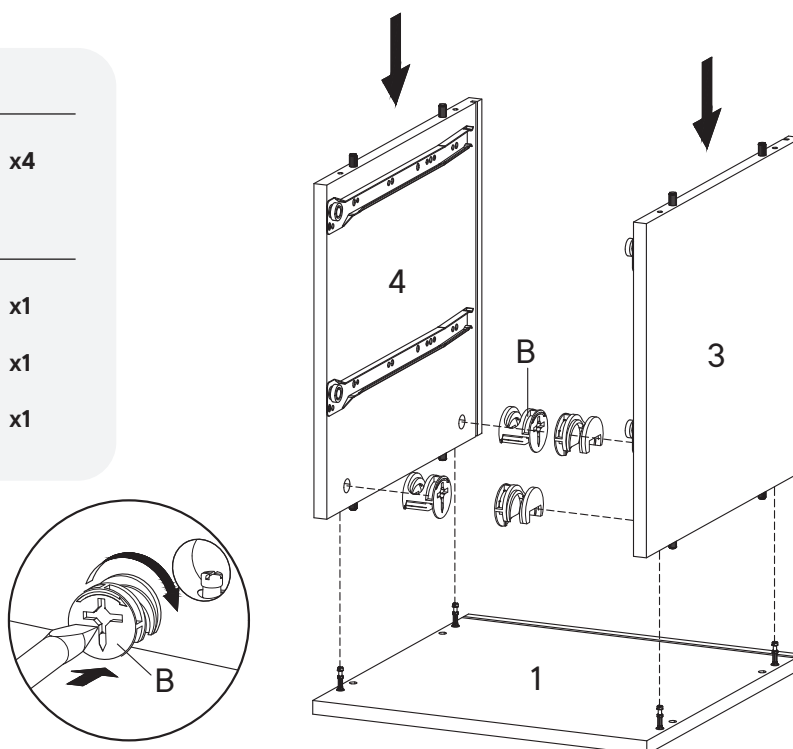
Step 6

HARDWARE

- B** Cam Lock Ø15 mm x4

COMPONENTS

- 1** Top Board x1
- 3** Side Board Left x1
- 4** Side Board Right x1



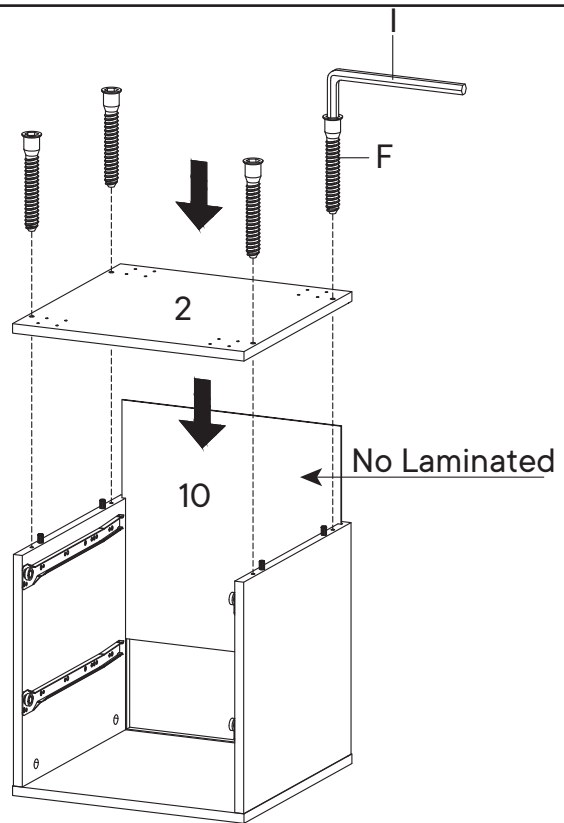
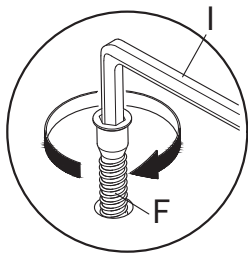
Step 7

HARDWARE

- F** Screw M 7 x 50 mm x4
- I** Allen Key x1

COMPONENTS

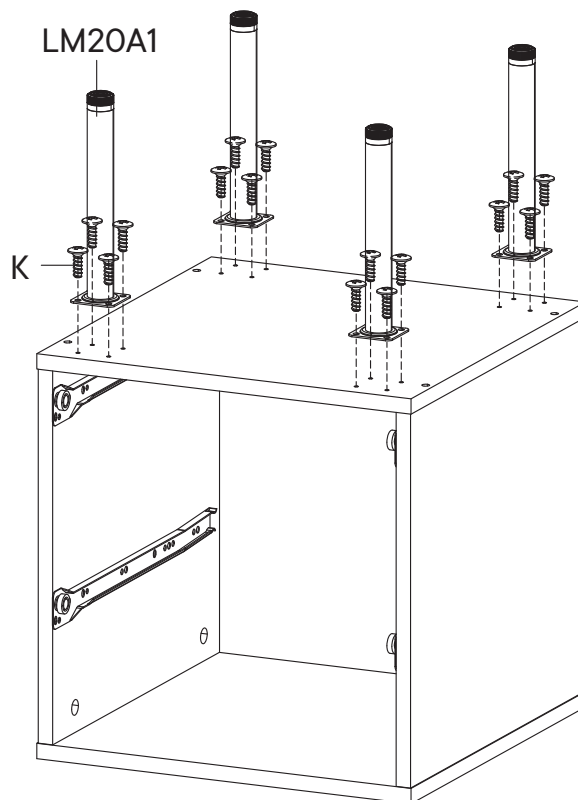
- 2** Bottom Board x1
- 10** Back Board x1



Step 8

HARDWARE

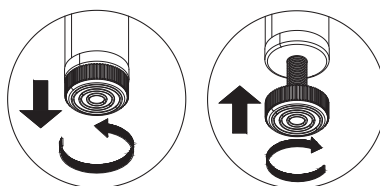
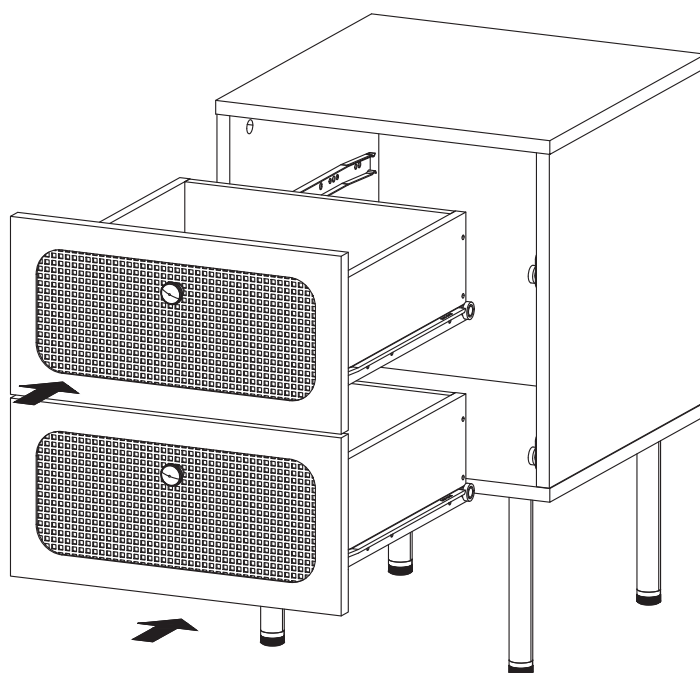
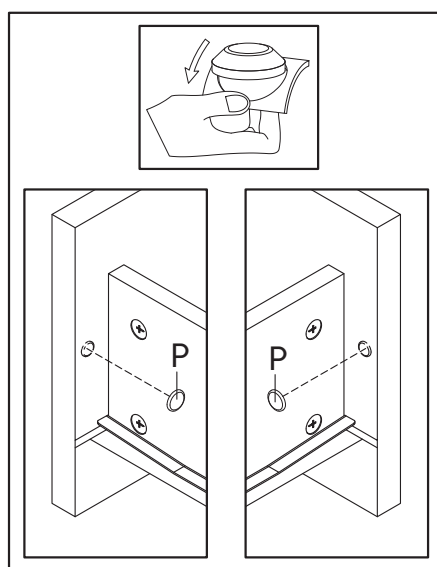
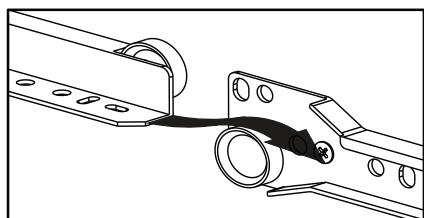
- K** Screw M 4.5 x 12.5 mm x16
- LM20A1** Leg Metal x4



Step 9

HARDWARE

P Silicon Bumper x4

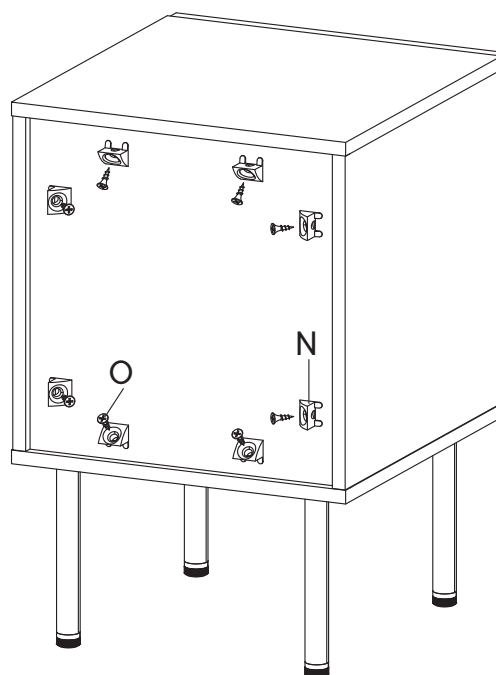
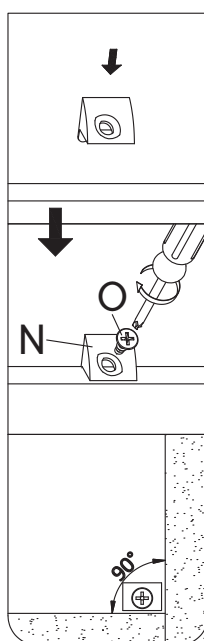


Step 10

HARDWARE

N Wedge x8

O Screw M 3.5 x 15.5 mm x8



Great job!

Nightstand assembly is complete.

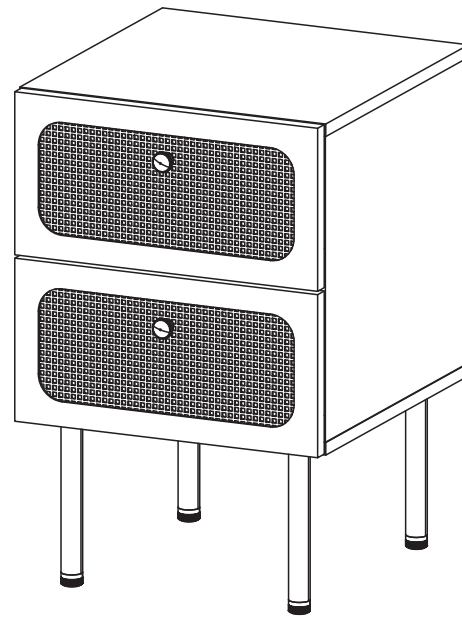
♥ CARING FOR YOUR ITEM

Indoor use only.

Not contract grade.

Clean using a non-abrasive cloth and a mild cleaner.

Never use harsh chemicals, as they could damage the finish or integrity of the item.



CONNECT WITH US!   

Tag us @modway_furniture and #modway for a chance to be featured.