

ASSEMBLY INSTRUCTIONS

MOD-7051

V0.07.11.22



Questions? Contact us!

609.256.9000 • cs@modway.com
www.modway.com

*modway

Let's get started!

*modway



Read through all of the instructions before starting



Care instructions are listed in the last step of this manual



Approx. 60 minutes assembly time



Make sure you have all parts and components before discarding any packing materials



2 people recommended for assembly

Only use hand tools to assemble this item. Do not use power tools. Do not tighten bolts or screws completely until all hardware is lined up and inserted into the holes.

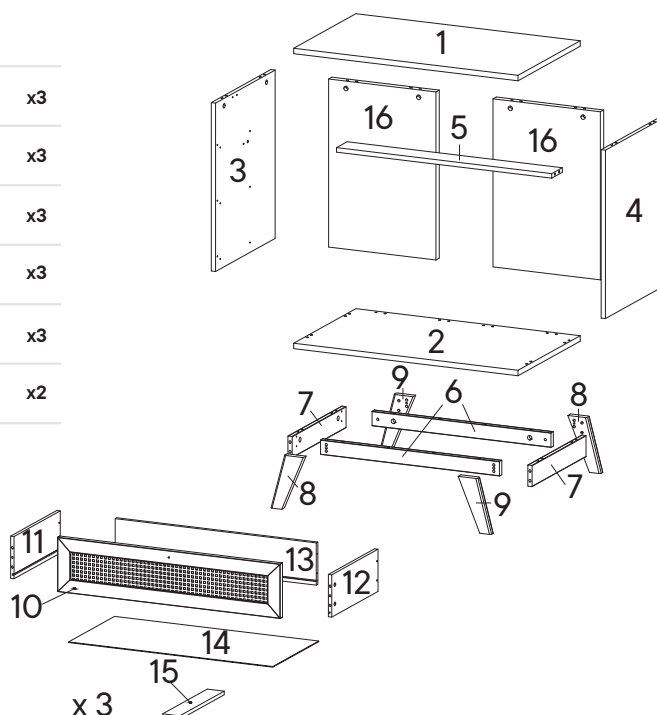
Do not over-tighten screws and bolts to avoid stripping the hardware or cracking the item.

Assemble your item on a flat, carpeted area, with plenty of space to work. This will prevent damage and scratches to your floors or the item while you're assembling the product.

Keep all components and packaging out of reach of children or animals to avoid risk of choking or suffocation.

Furniture components:

1	Top Board	x1	11	Side Drawer Left	x3
2	Bottom Board	x1	12	Side Drawer Right	x3
3	Side Board Left	x1	13	Back Drawer	x3
4	Side Board Right	x1	14	Bottom Drawer	x3
5	Support Board	x1	15	Support Drawer	x3
6	Bottom Skirt 1	x2	16	Back Board	x2
7	Bottom Skirt 2	x2			
8	Leg 1	x2			
9	Leg 2	x2			
10	Front Drawer	x3			



Provided hardware:

A		Cam Bolt Ø6 x 35 mm	x33	J		Screw M 3.5 x 15.5 mm	x12	S		Bracket	x2
B		Cam Lock Ø15 mm	x18	K		Floor Protector	x4	RM35A		Drawer Runner	x3
C		Wood Dowel Ø8 x 30 mm	x42	L		Screw M 8 x 39 mm	x18	ST756		Anti-Deflection Bar	x1
D		Allen Key	x2	M		Screw M 6 x 10.5 mm	x22				
E		Screw M 7 x 50 mm	x8	N		Screw M 3.5 x 13 mm	x18				
F		Bracket	x4	O		Cam Lock Ø12 mm	x15				
G		Screw M 6.4 x 35 mm	x4	P		Wood Dowel Ø6 x 30 mm	x6				
H		Screw M 4.5 x 12.5 mm	x8	Q		Handle	x3				
I		Wedge	x12	R		Screw M 4 x 25 mm	x3				

What you need:

Phillips Head Screwdriver

Wait!

Missing parts or hardware? Need assistance?
Contact us before returning your item. We're here to help!
609.256.9000 • cs@modway.com

Step 1

HARDWARE

A Cam Bolt Ø6 x 35 mm x15

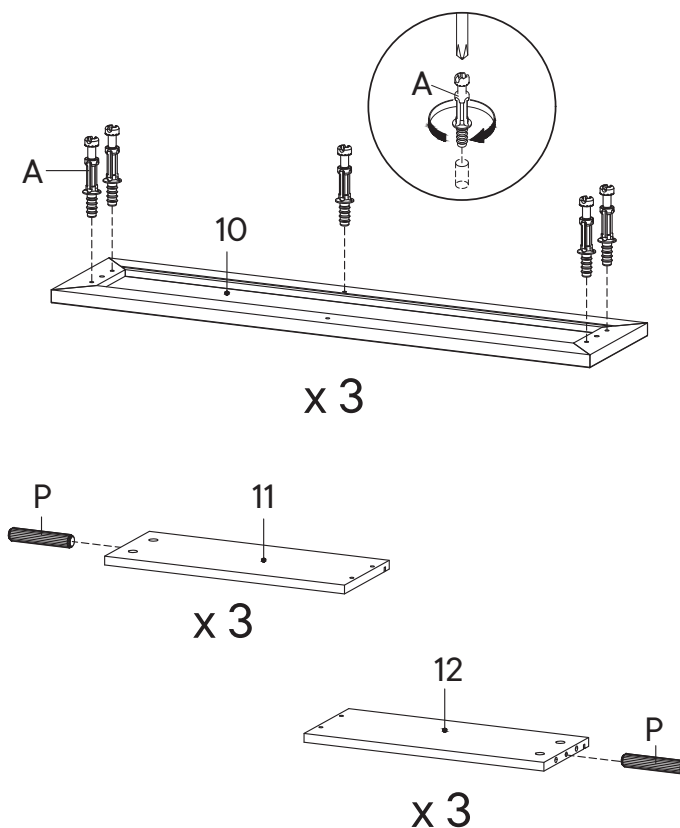
P Wood Dowel Ø6 x 30 mm x6

COMPONENTS

10 Front Drawer x3

11 Side Drawer Left x3

12 Side Drawer Right x3



Step 2

HARDWARE

L Screw M 8 x 39 mm x18

O Cam Lock Ø12 mm x15

COMPONENTS

10 Front Drawer x3

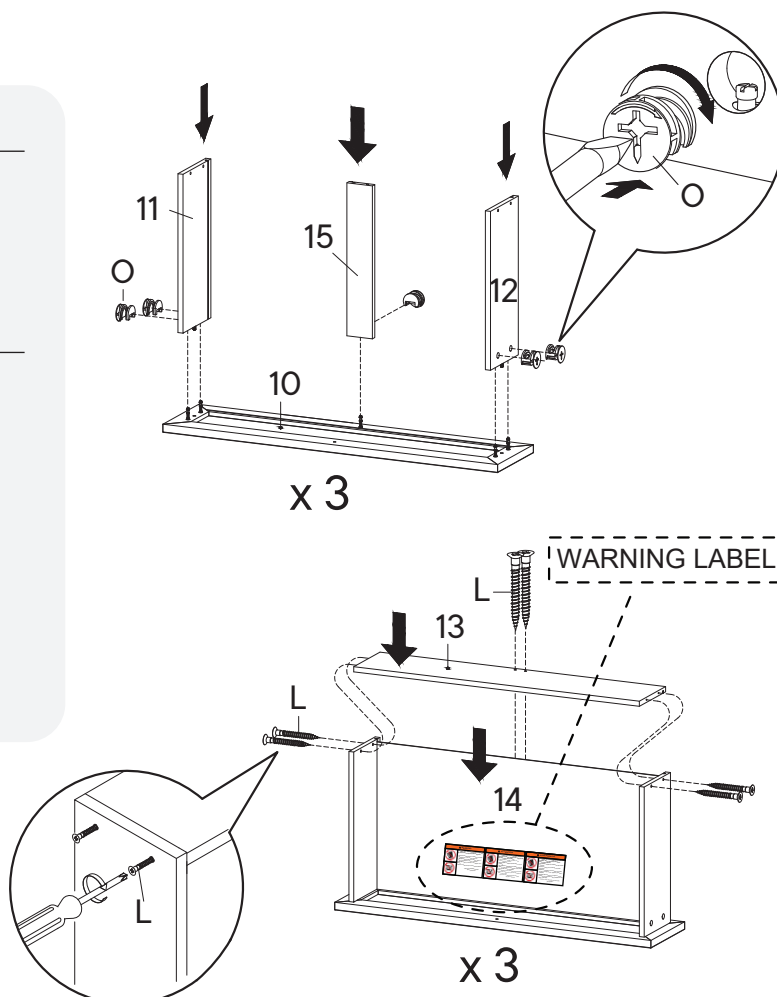
11 Side Drawer Left x3

12 Side Drawer Right x3

13 Back Drawer x3

14 Bottom Drawer x3

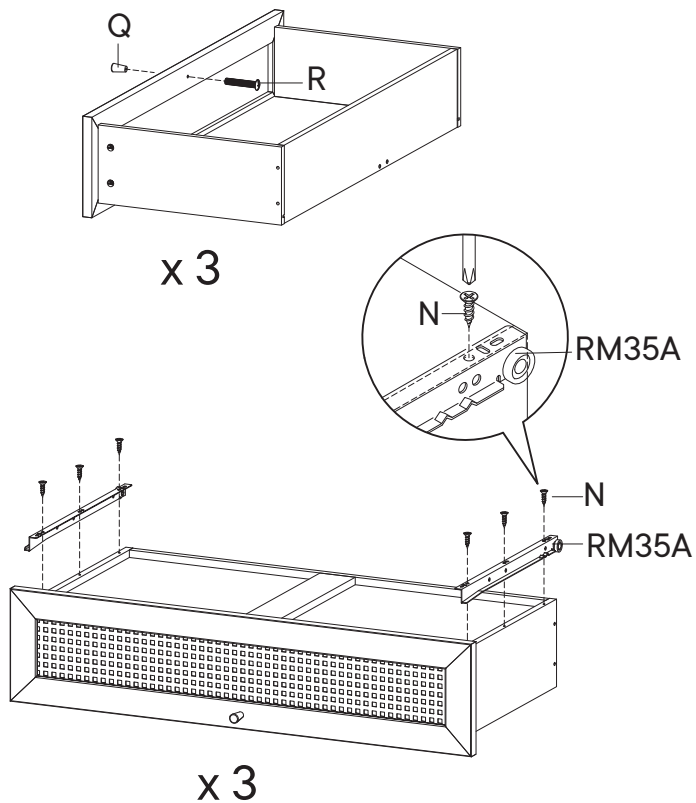
15 Support Drawer x3



Step 3

HARDWARE

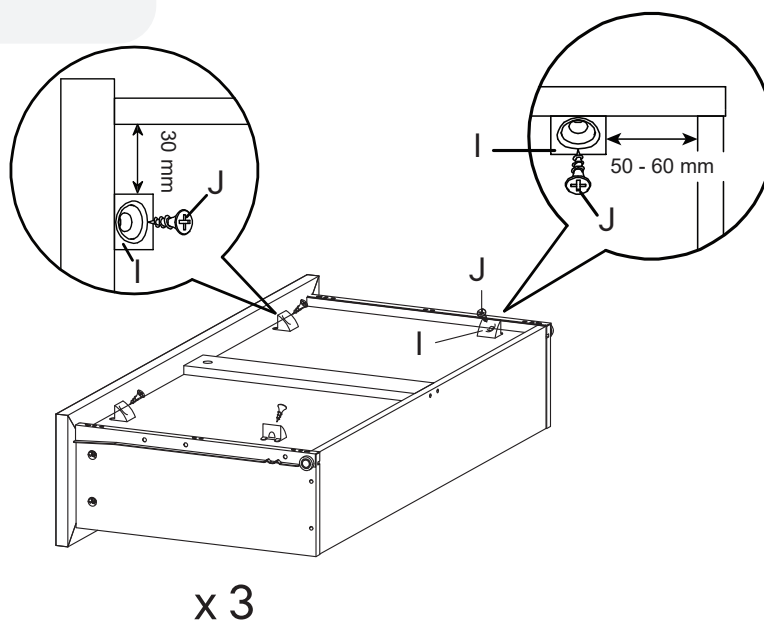
N	Screw M 3.5 x 13 mm	x18
Q	Handle	x3
R	Screw M 4 x 25 mm	x3
RM35A	Drawer Runner	x3



Step 4

HARDWARE

I	Wedge	x12
J	Screw M 3.5 x 15.5 mm	x12



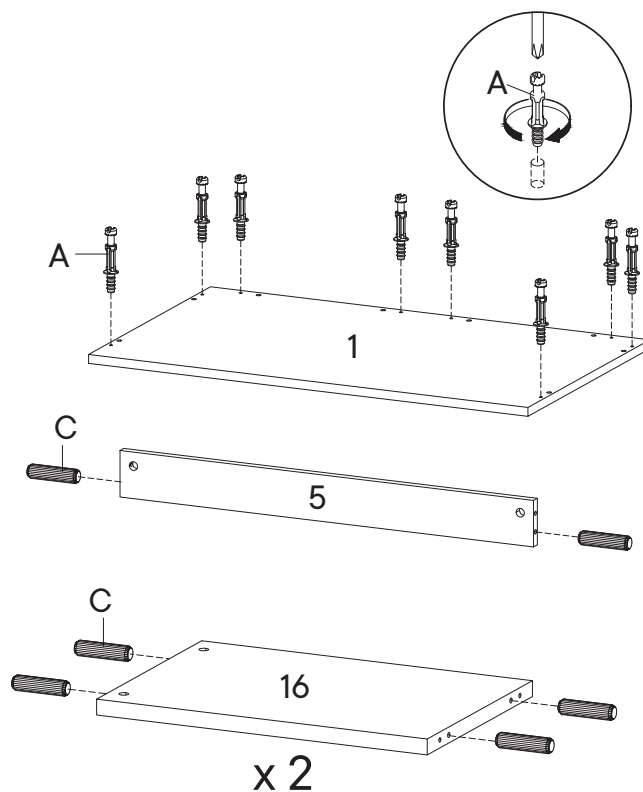
Step 5

HARDWARE

- A** Cam Bolt Ø6 x 35 mm x8
- C** Wood Dowel Ø8 x 30 mm x10

COMPONENTS

- 1** Top Board x1
- 5** Support Board x1
- 16** Back Board x2



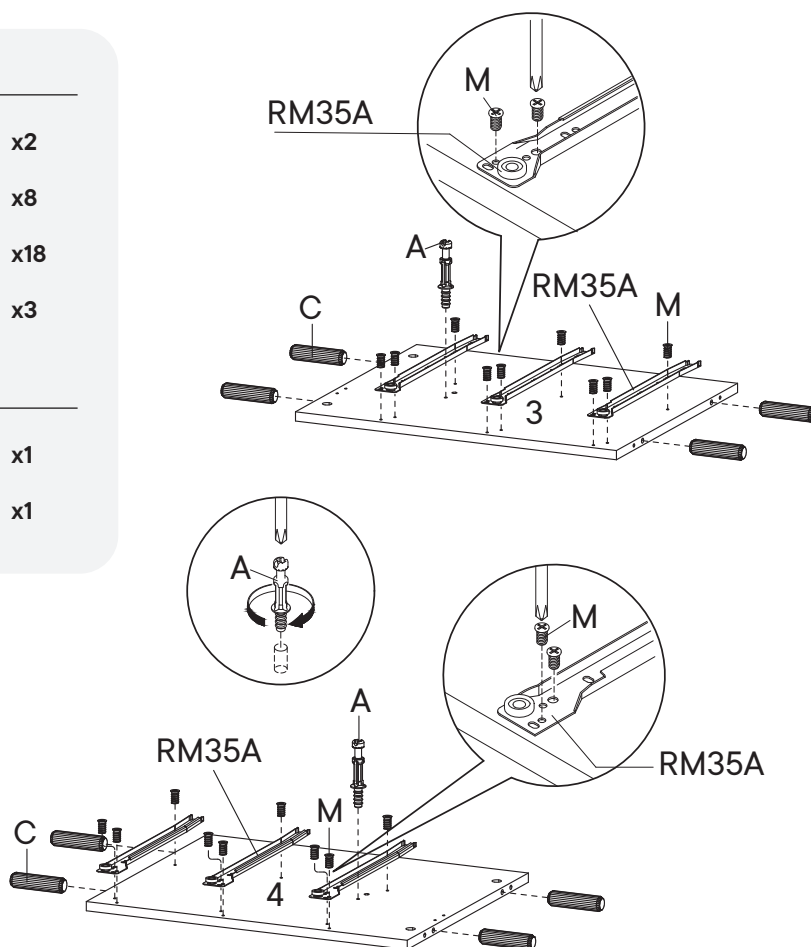
Step 6

HARDWARE

- A** Cam Bolt Ø6 x 35 mm x2
- C** Wood Dowel Ø8 x 30 mm x8
- M** Screw M 6 x 10.5 mm x18
- RM35A** Drawer Runner x3

COMPONENTS

- 3** Side Board Left x1
- 4** Side Board Right x1



Step 7

HARDWARE

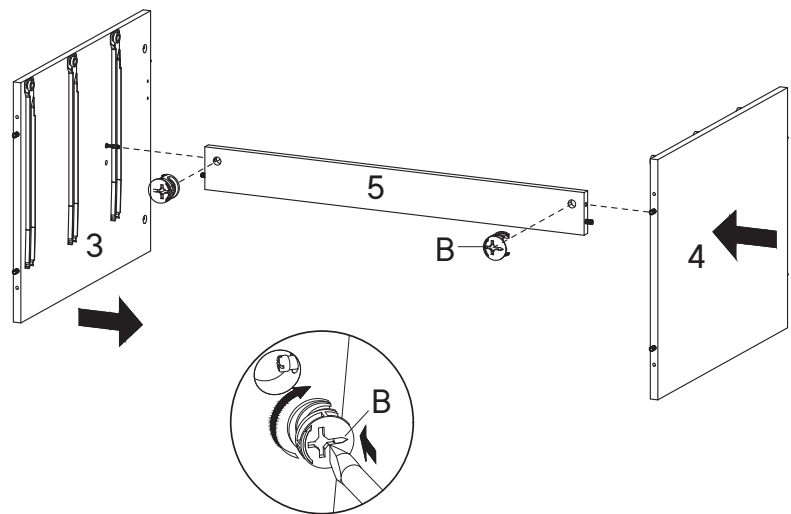
B Cam Lock Ø15 mm x2

COMPONENTS

3 Side Board Left x1

4 Side Board Right x1

5 Support Board x1



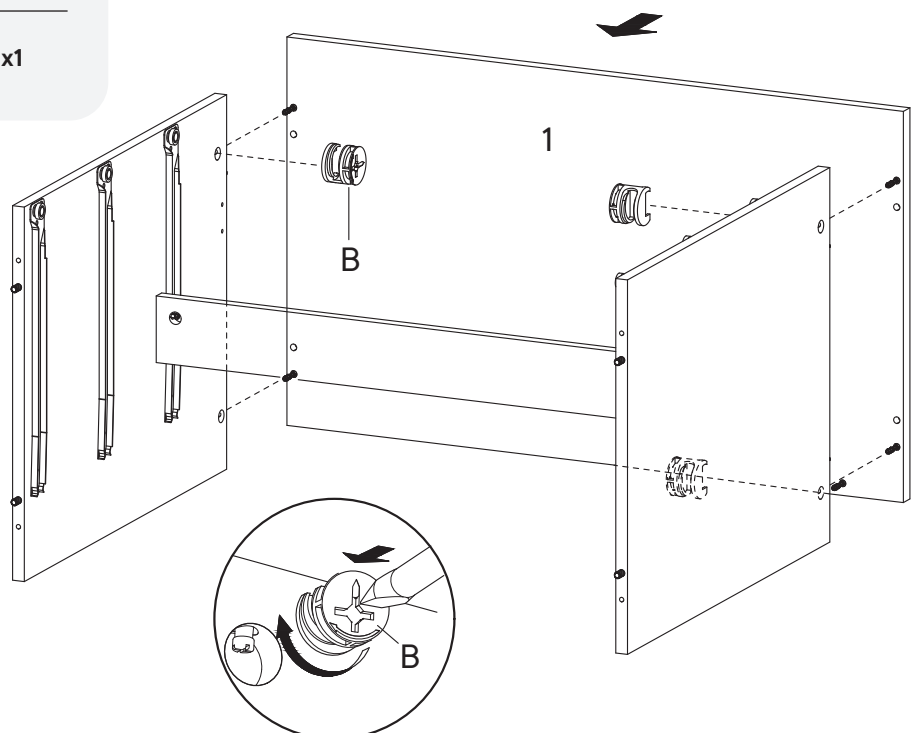
Step 8

HARDWARE

B Cam Lock Ø15 mm x4

COMPONENTS

1 Top Board x1



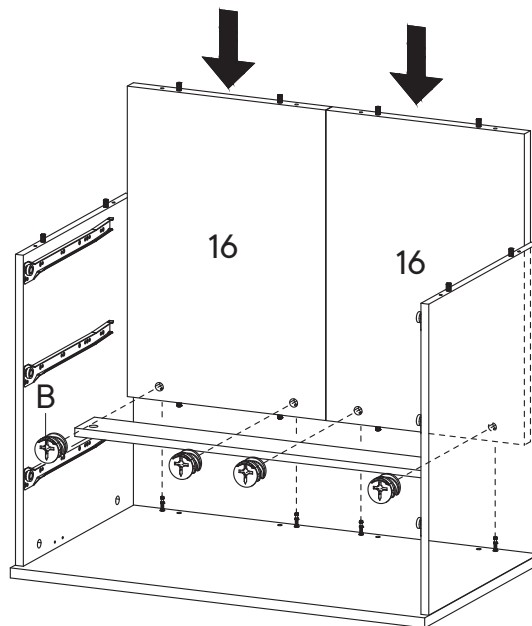
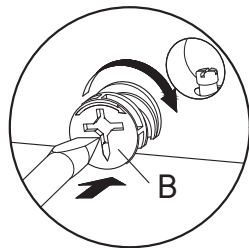
Step 9

HARDWARE

B Cam Lock Ø15 mm x4

COMPONENTS

16 Back Board x2



Step 10

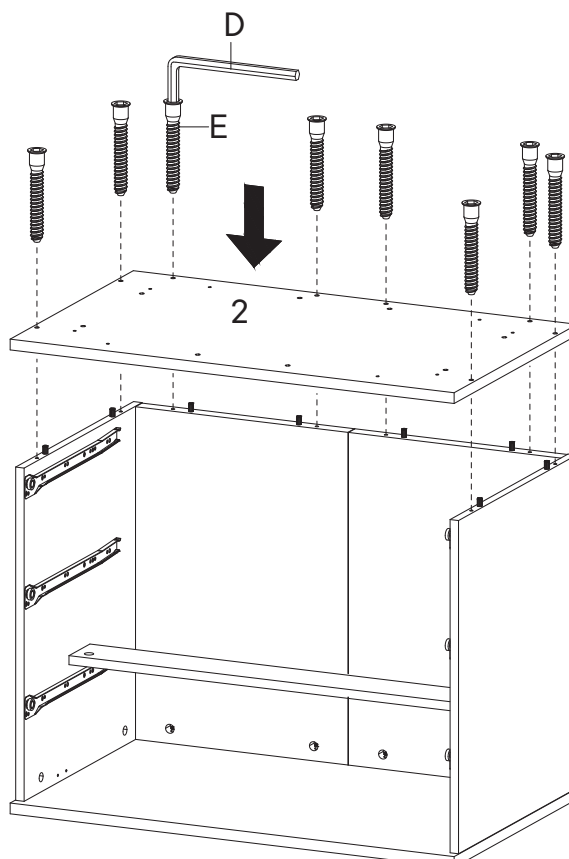
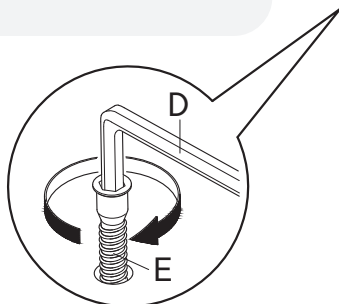
HARDWARE

D Allen Key x1

E Screw M 7 x 50 mm x8

COMPONENTS

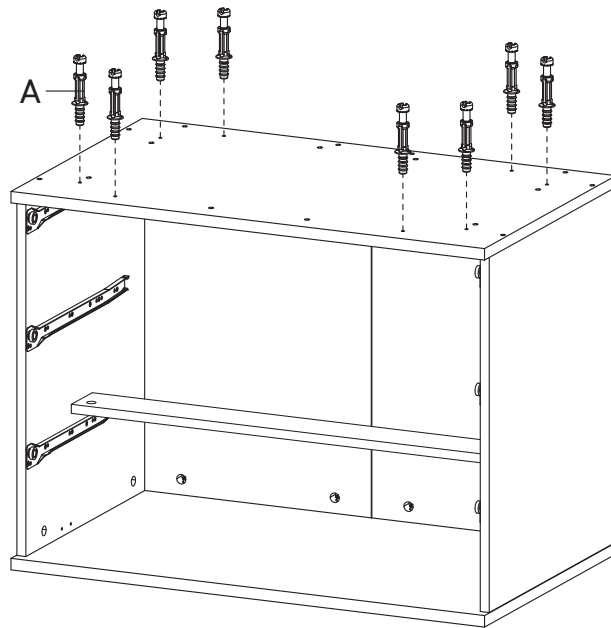
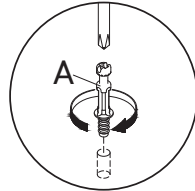
2 Bottom Board x1



Step 11

HARDWARE

- A** Cam Bolt $\varnothing 6 \times 35$ mm x8



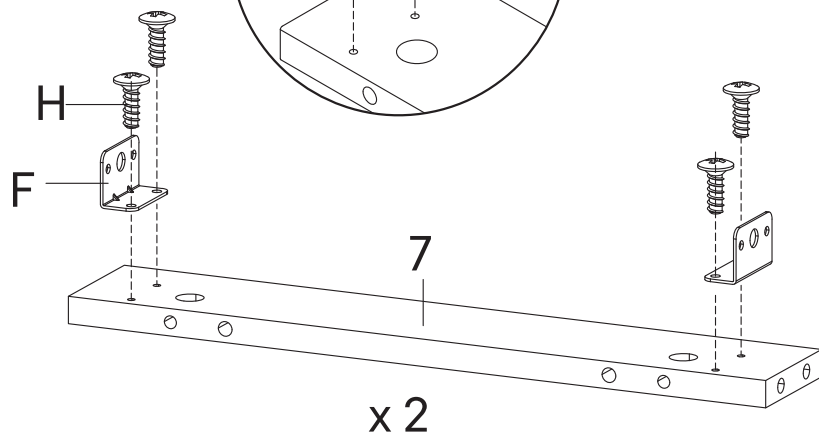
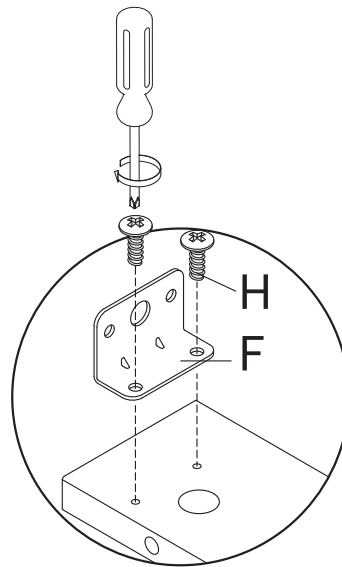
Step 12

HARDWARE

- F** Bracket x4
- H** Screw M 4.5 x 12.5 mm x8

COMPONENTS

- 7** Bottom Skirt 2 x2



Step 13

HARDWARE

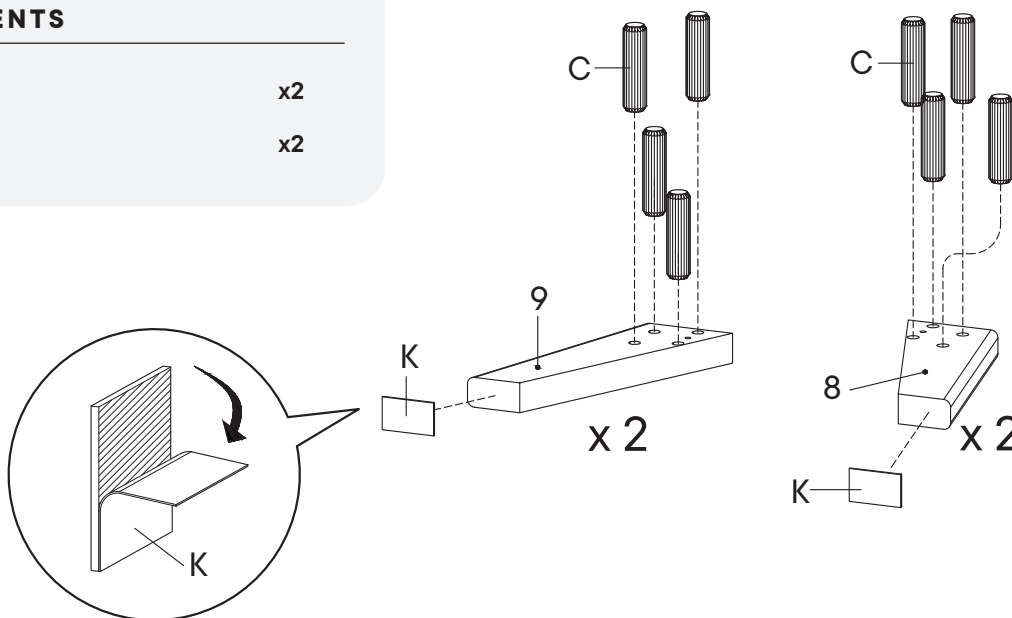
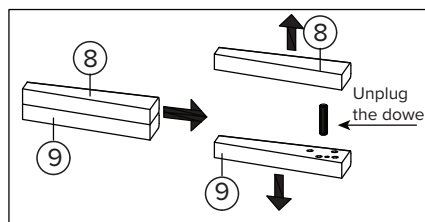
C Wood Dowel Ø8 x 30 mm x16

K Floor Protector x4

COMPONENTS

8 Leg 1 x2

9 Leg 2 x2

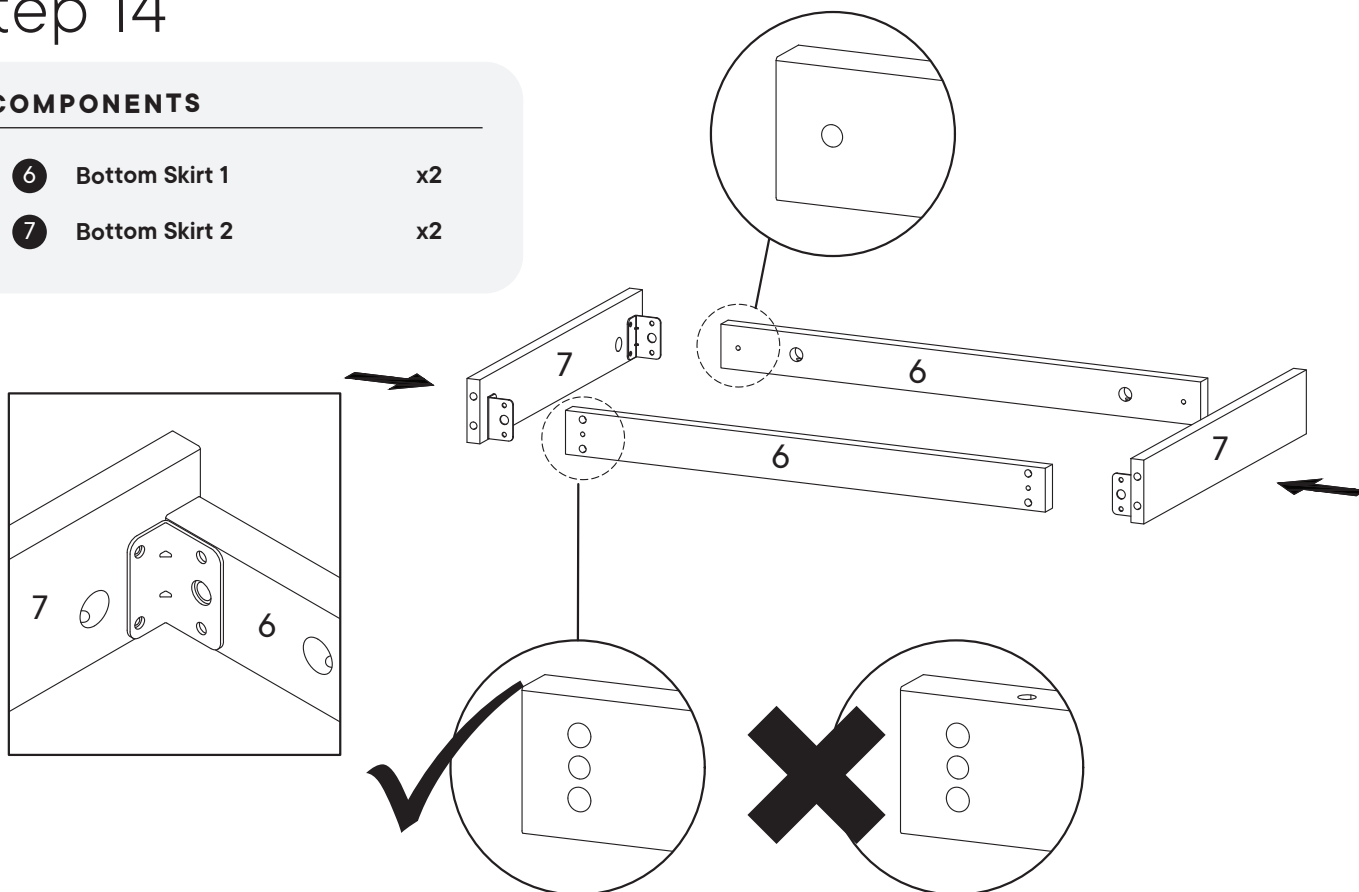


Step 14

COMPONENTS

6 Bottom Skirt 1 x2

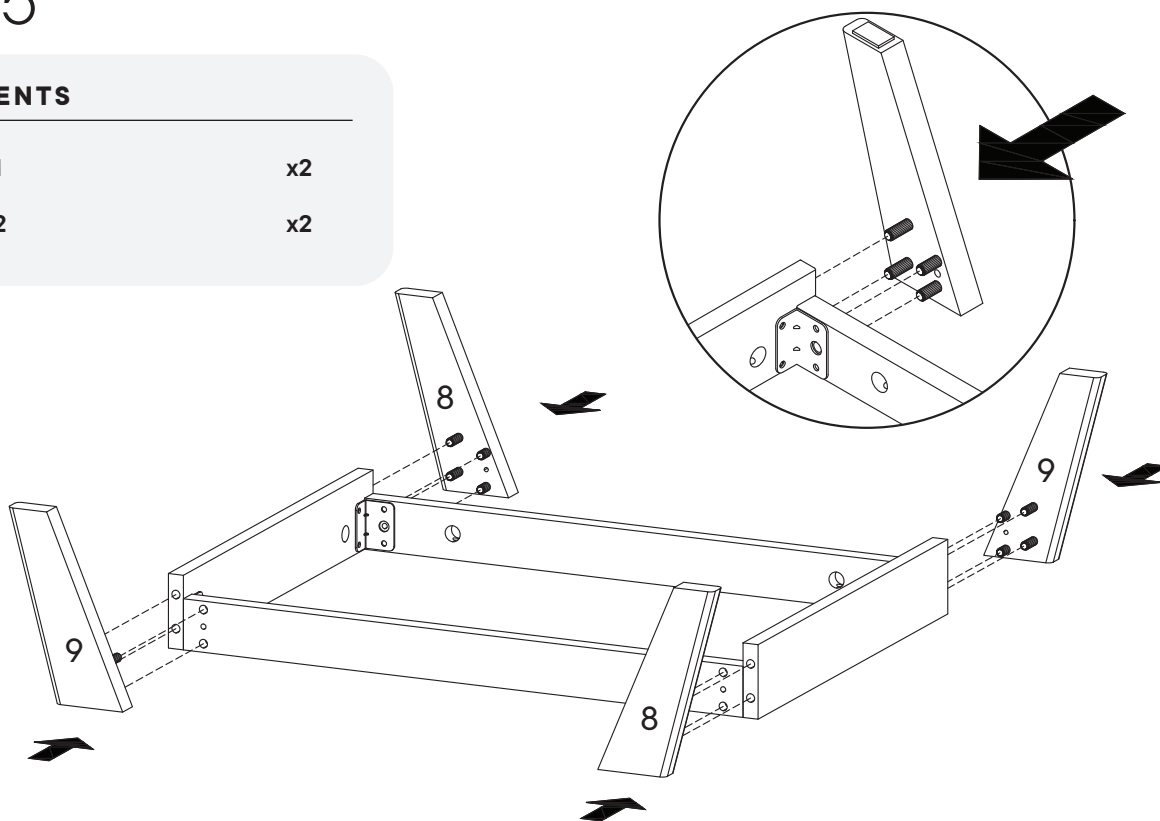
7 Bottom Skirt 2 x2



Step 15

COMPONENTS

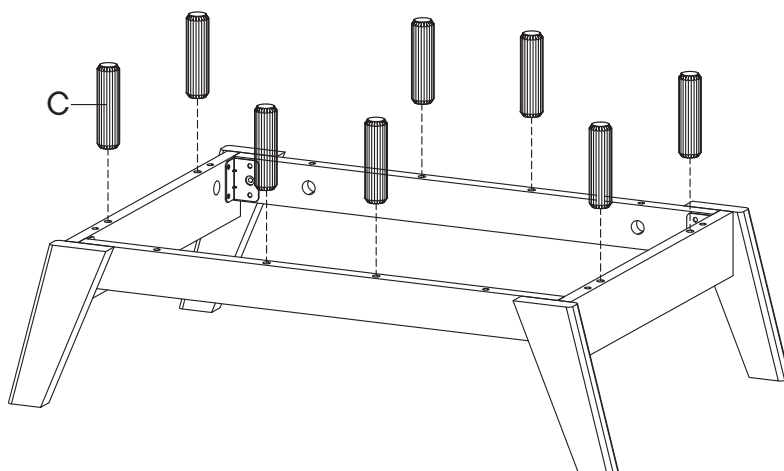
- 8 Leg 1 x2
- 9 Leg 2 x2



Step 16

HARDWARE

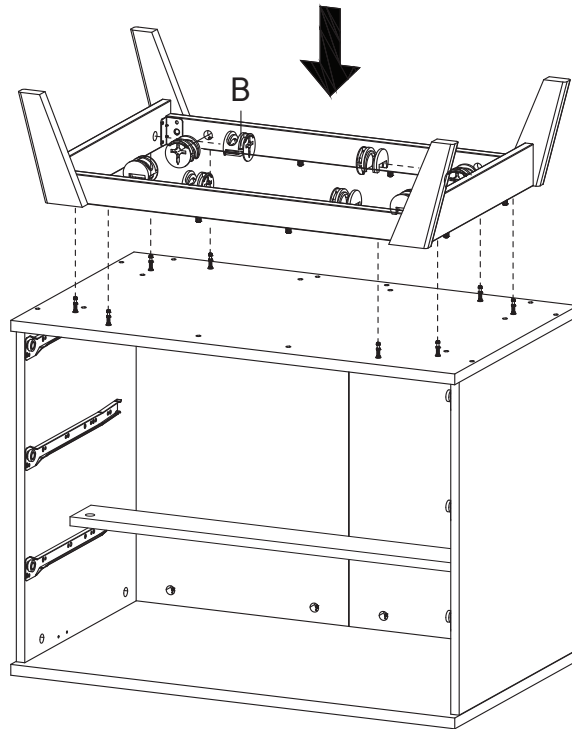
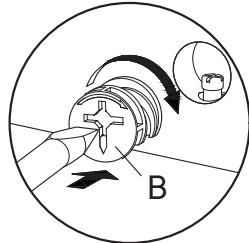
- C Wood Dowel Ø8 x 30 mm x8



Step 17

HARDWARE

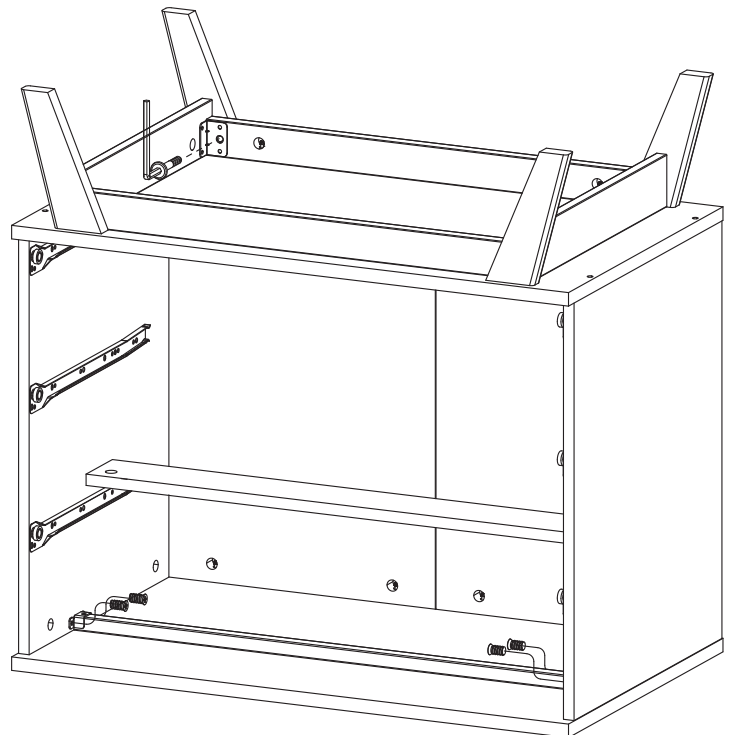
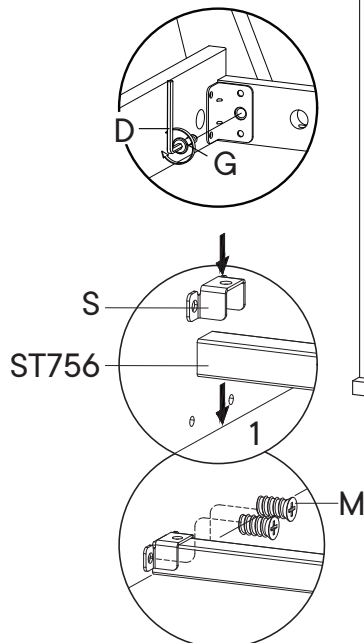
- B** Cam Lock Ø15 mm x8



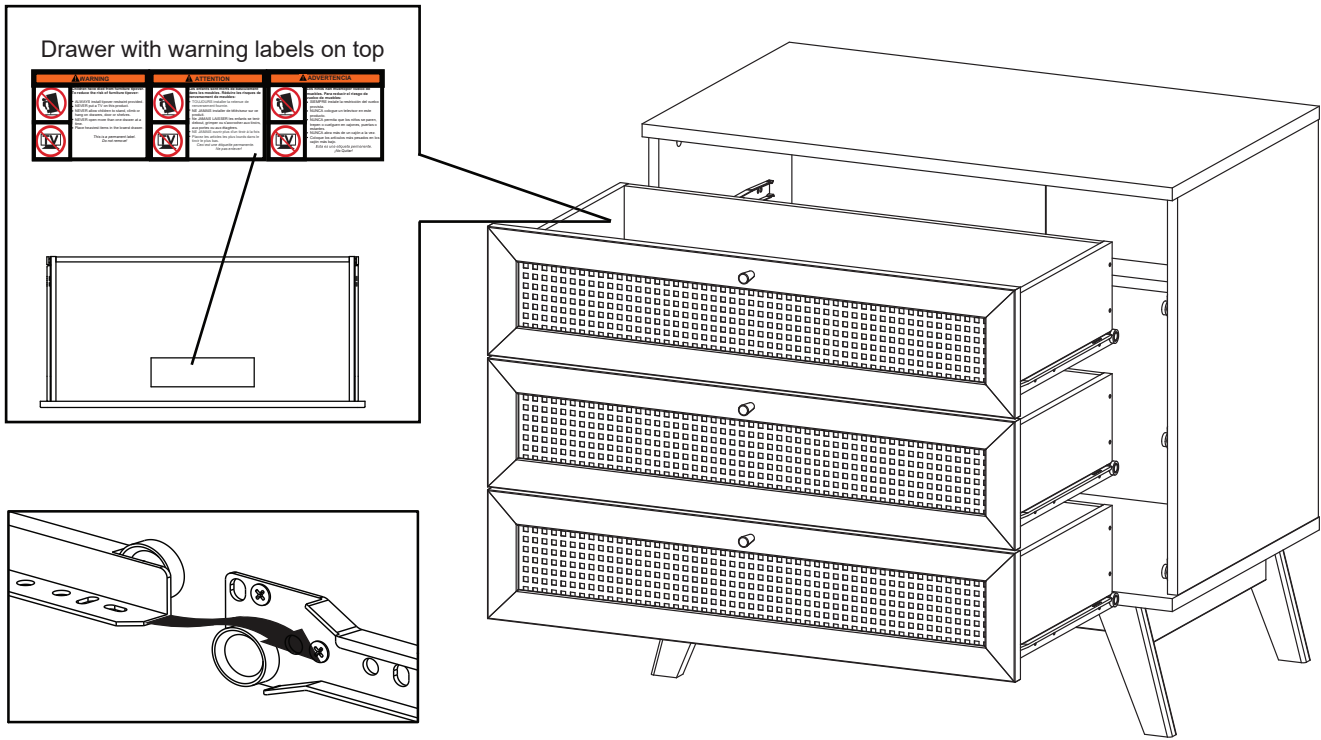
Step 18

HARDWARE

- D** Allen Key x1
- G** Screw M 6.4 x 35 mm x4
- M** Screw M 6 x 10.5 mm x4
- S** Bracket x2
- ST756** Anti-Deflection Bar x1



Step 19



Great job!

Chest Drawers assembly is complete.

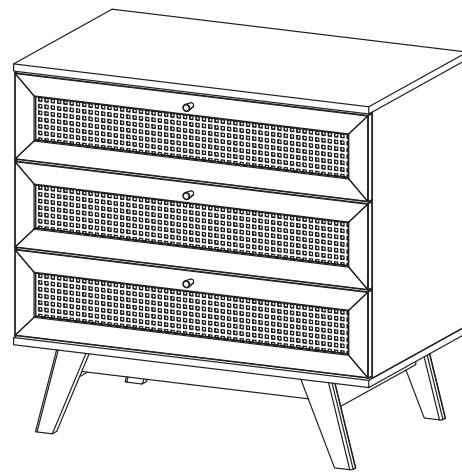
CARING FOR YOUR ITEM

Indoor use only.

Not contract grade.

Clean using a non-abrasive cloth and a mild cleaner.

Never use harsh chemicals, as they could damage the finish or integrity of the item.



CONNECT WITH US!

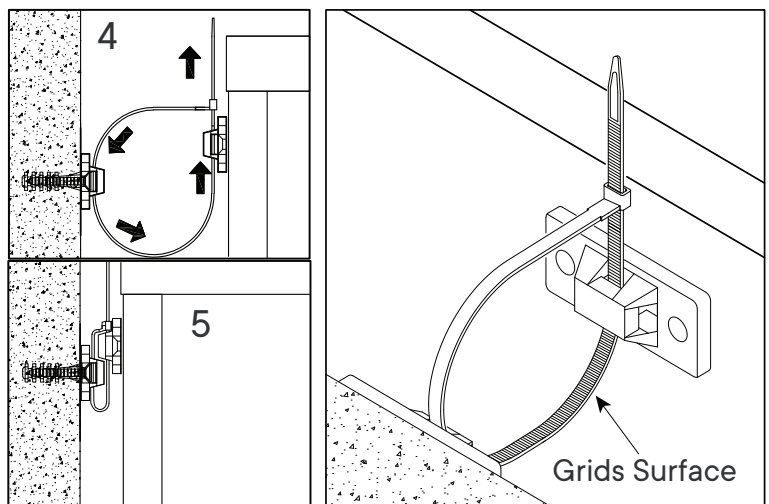
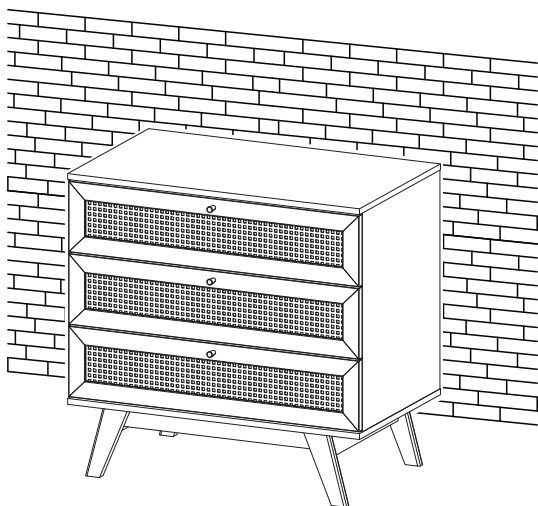
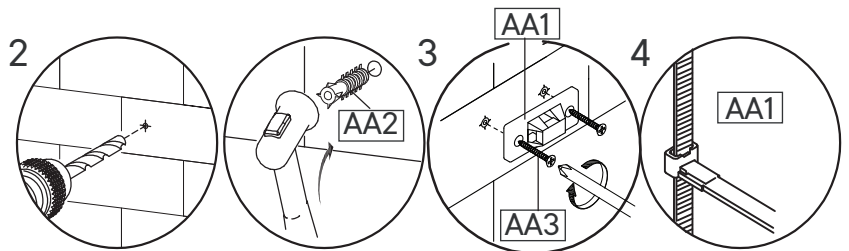
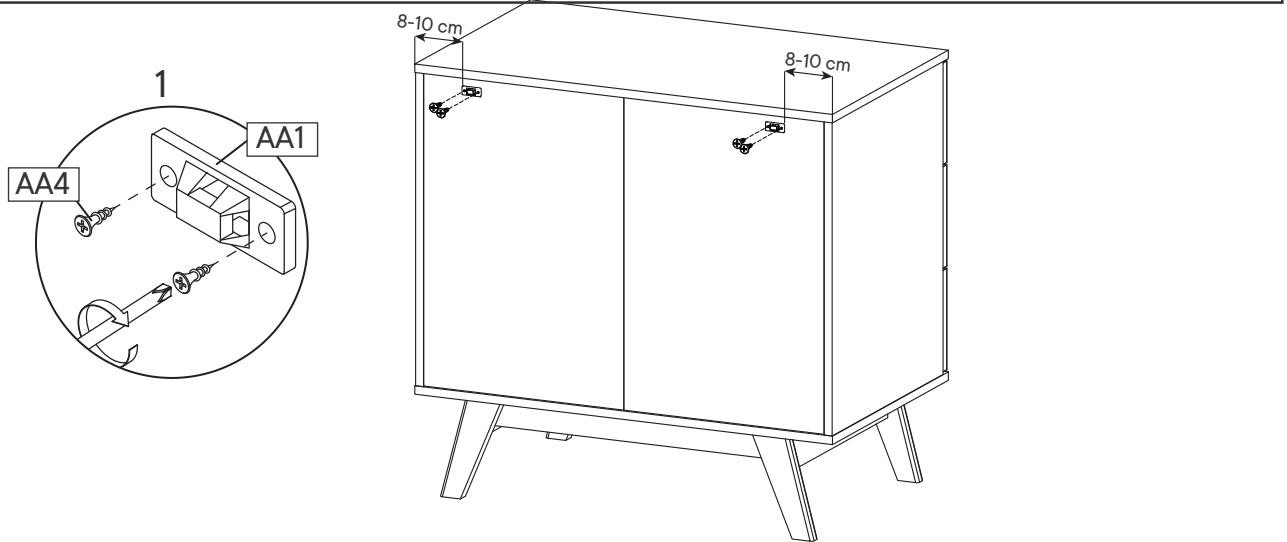
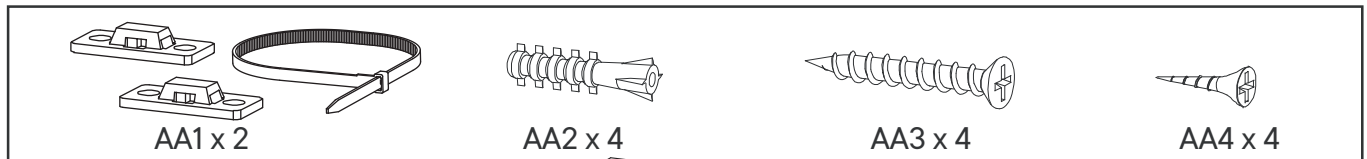
Tag us @modway_furniture and #modway for a chance to be featured.

TIPPING RESTRAINTS KIT INSTALLATION GUIDANCE

Different wall materials require unique wall fasteners.

The wall plugs (AA2) and screws (AA3) are designed for fixing to concrete walls only.

Please consult your local hardware store to ensure you are using the correct hardware for you wall type.



Installation Instructions :

1. Attach bracket (AA1) securely to the back top of the furniture using screw (AA4) provided. Allow 8 - 10 cm from each side.
2. Please make a hole for wall plugs position on the wall and minimum 15 mm below bracket secured to the back of unit attach the wall plugs (AA2).
3. Locate the other bracket (AA1) on the wall over wall plugs (AA2). Place furniture into position so both brackets (AA1) are vertically in the line.
4. Lace the end of the restraints strap through the larger hole in each bracket. Ensure the restraints strap with grids surface facing the inner loops. Bring both ends together and slide the flat end through the locking end and draw it through until all slack is removed.
5. Make sure that the strap is securely laced & locked.