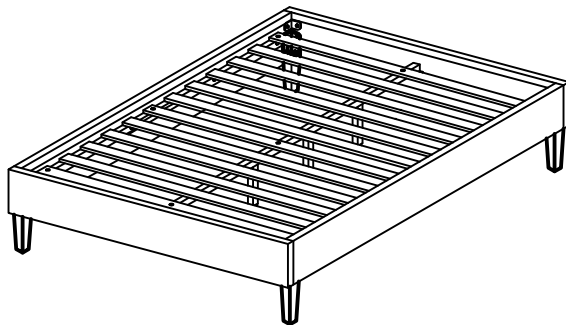


MOD - 6265


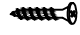
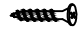
Thank you for purchasing the **MODWAY BED!**

Before you start, here are some helpful advice:

1. We suggest you spend a short time reading through this leaflet and then follow the simple step instructions.
2. Owing to the size and weight of the bed, we recommend that it is assembled by two adults, on a carpeted or padded area, in the room that it is intended for. Approximate assembly time: 35 minutes.
3. Please do not use any tools other than those provided or recommended in these instructions.
4. Please do not throw away any of the packaging or the instruction until you have checked all the components and hardware and the furniture is fully assembled. Please ensure that the packaging is disposed of in a safe environmentally friendly way.
5. Assemble all components loosely until advised to tighten. Depending on use, it may be necessary to tighten the components from time to time, so please save tools that have been provided.
6. Please keep all fitting out of reach of children.

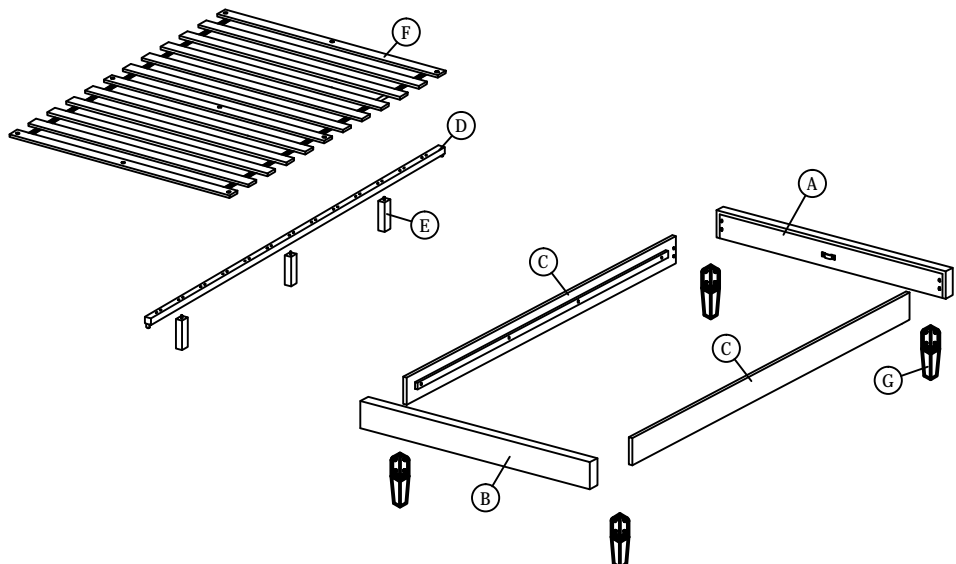


Hardware:

1		JCBB BOLT M8 x 20mm	16 PCS
2		M8 SPRING WASHER	16 PCS
3		M8 FLAT WASHER	16 PCS
4		ALLEN KEY (BALL SHAPE) M5	1 PC
5		5005 L-BRKT	4 PCS
6		WOOD SCREW M4 x 20mm	2 PCS
7		WOOD SCREW M4 x 20mm (Black)	8 PCS
8		WOOD SCREW M4 x 32mm	9 PCS

Component:

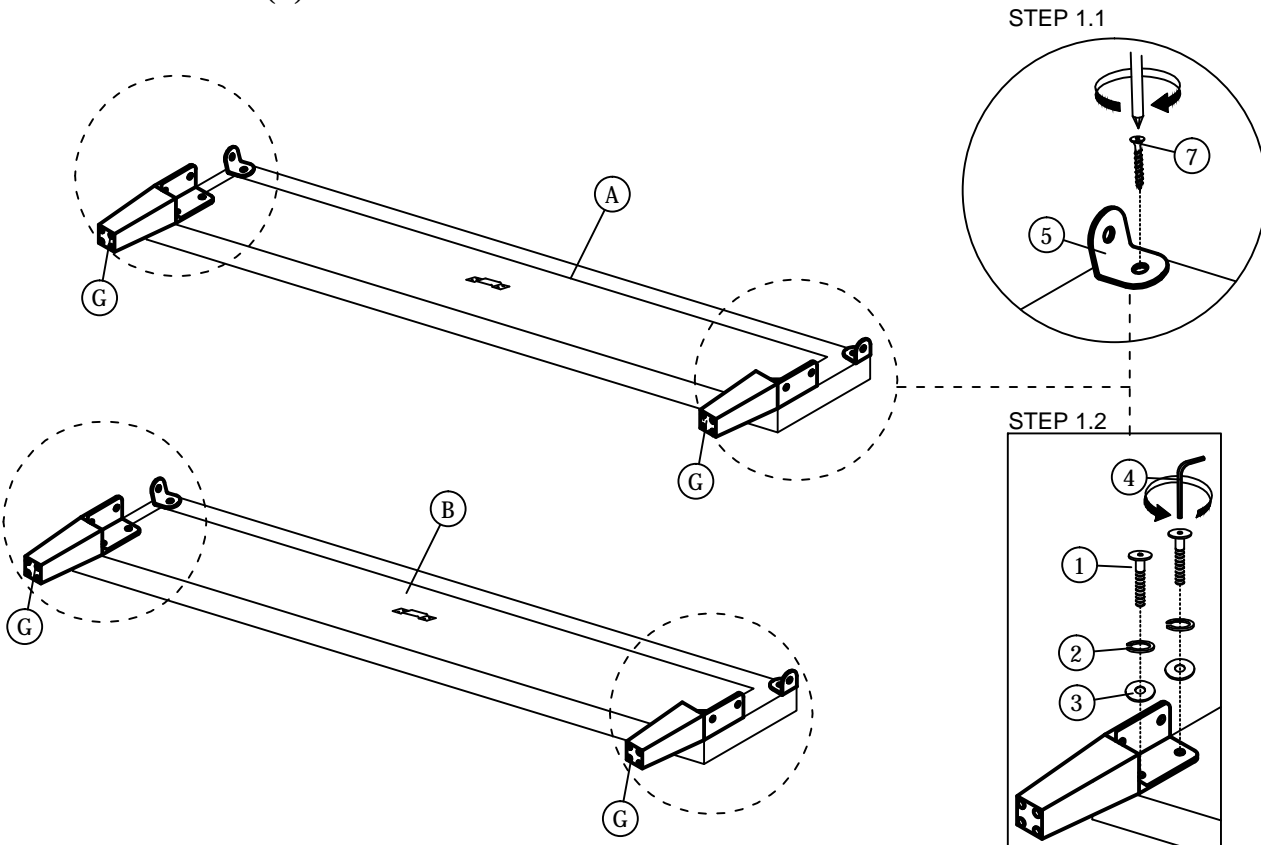
A.	HEADBOARD	x 1
B.	FOOTBOARD	x 1
C.	SIDE RAIL (L/R)	x 2
D.	CENTER RAIL	x 1
E.	CENTER RAIL LEG	x 3
F.	BED SLAT	x 1
G.	BED LEG	x 4



MOD - 6265

STEP 1

1.1 Secure the Bed Leg (G) & L Bracket (5) to the Headboard (A) and Footboard (B) using hardware parts BOLT (1), SPRING WASHER (2), FLAT WASHER (3), ALLEN KEY (4) & WOOD SCREW (7).

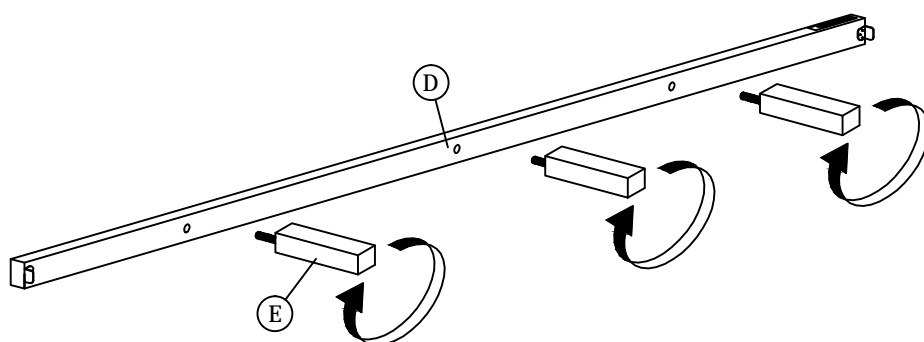


1. JBWB BOLT M8 x 20mm x 8pcs	2. M8 SPRING WASHER x 8pcs	3. M8 FLAT WASHER x 8pcs	4. ALLEN KEY (BALL SHAPE) M5

		Screw Driver
5. 5005 L-BRKT x 4pcs	7. SCREW M4 x 20mm x 4pcs	

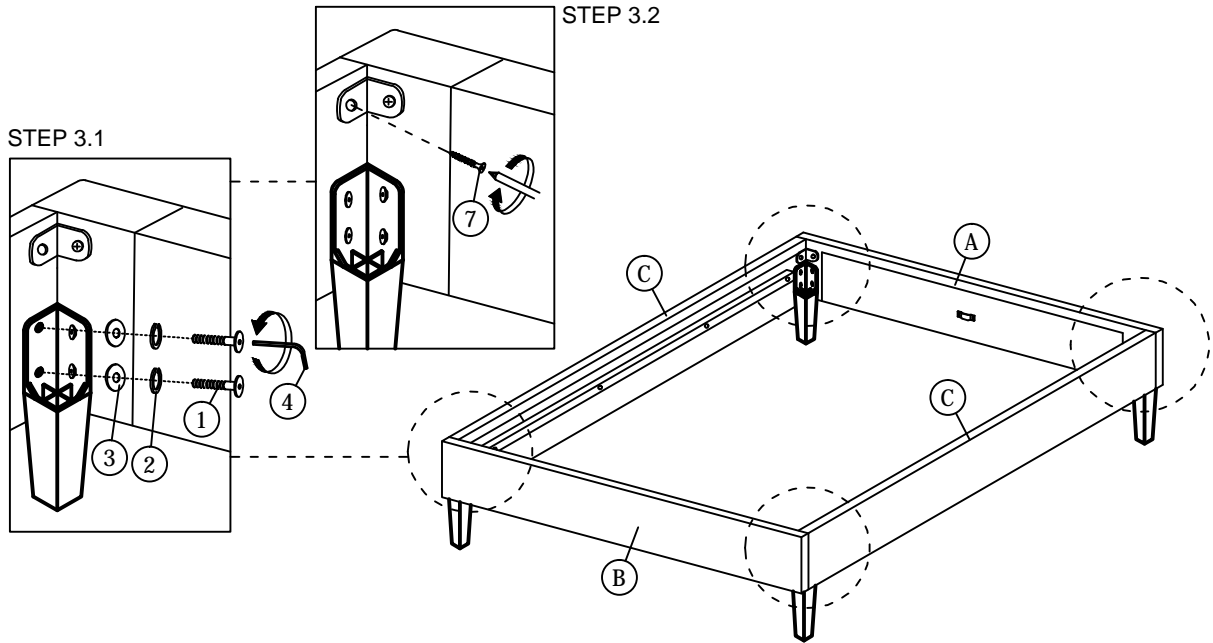
STEP 2

2.1 Fasten Center Rail Leg (E) to Center Rail (D) attach by screwing the protruding nut into the corresponding holes.



STEP 3

3.1 Attach the Side Rails (C) to the Headboard (A) & Footboard (B) using hardware parts BOLT (1), SPRING WASHER (2), FLAT WASHER (3), ALLEN KEY (4) & WOOD SCREW (7).

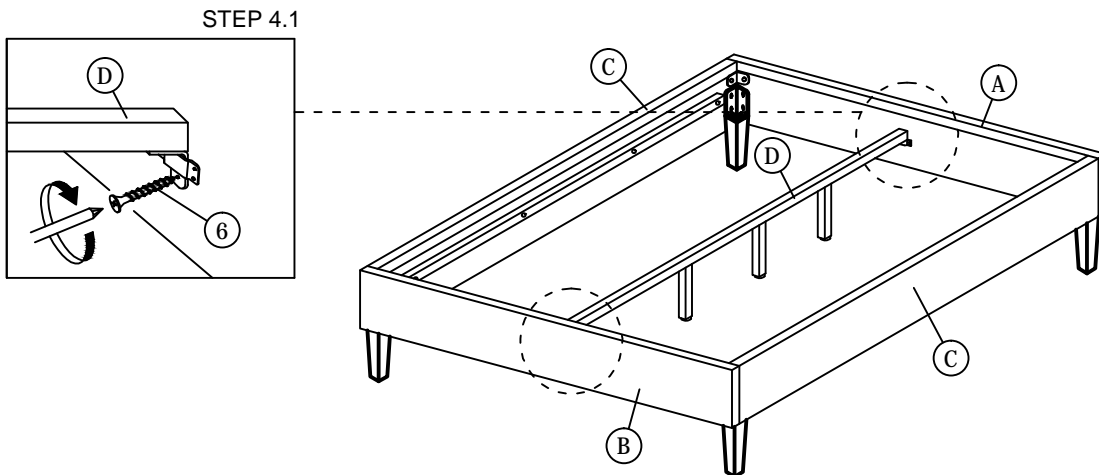


1. JCBB BOLT M8 x 20mm x 8pcs	2. M8 SPRING WASHER x 8pcs	3. M8 FLAT WASHER x 8pcs	4. ALLEN KEY (BALL SHAPE) M5

7. SCREW M4 x 20mm x 4pcs	Screw Driver

STEP 4

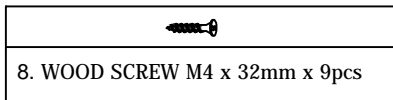
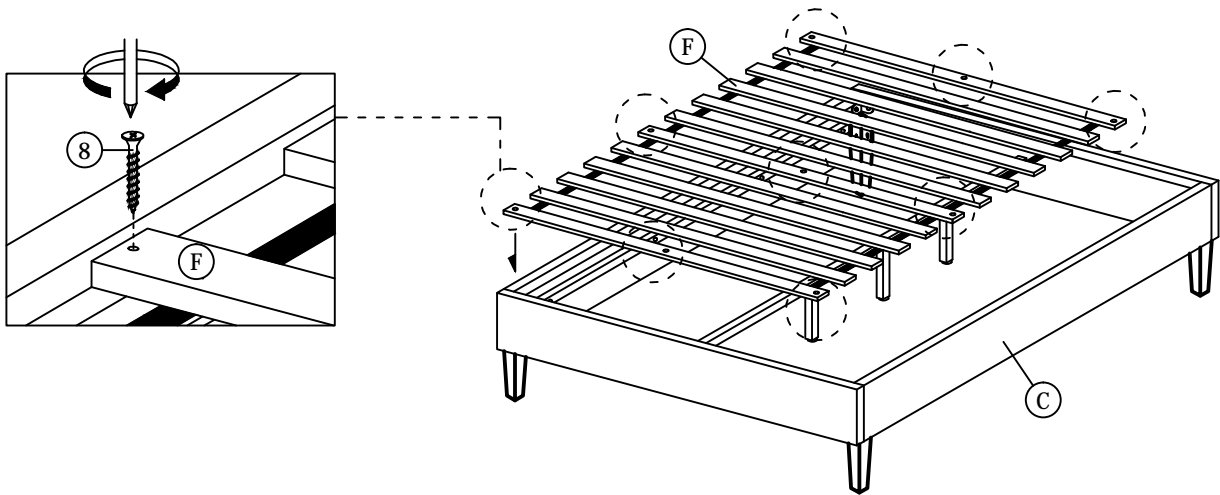
4.1 Locate Center Rail (D) into the corresponding brackets inside of Headboard (A) and Footboard (B). Using hardware parts WOOD SCREW (6).



6. WOOD SCREW M4 x 20mm x 2pcs	Screw Driver

STEP 5

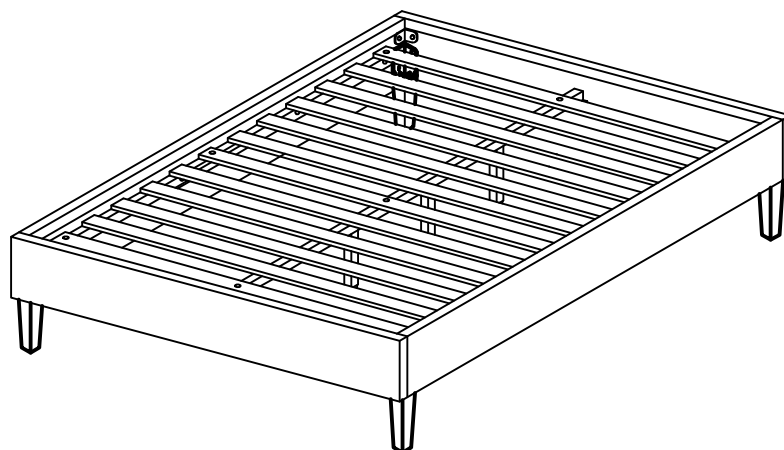
5.1 Secure the Slats (F) into the Side Rail (C) using hardware parts WOOD SCREW (8).



Screw Driver

STEP 6

6.1 Carefully position the assembled bed to the desired location by four adults.



Assembly is complete. The bed is ready to use now!

NOTE: Hardware may loosen over time. Periodically check that all connections are tight.