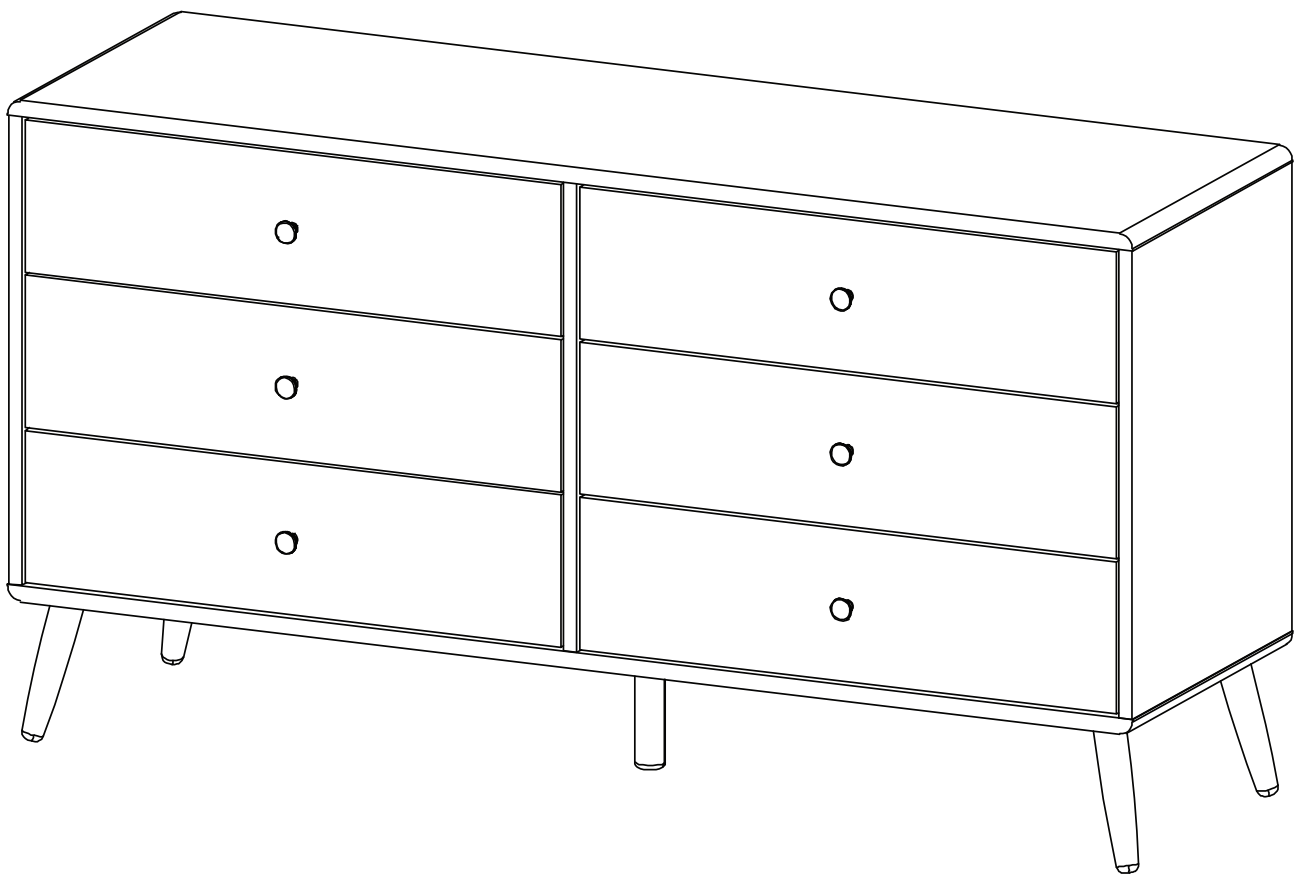


ASSEMBLY INSTRUCTIONS

MOD-7022

VO.12.10.21



Questions? Contact us!

609.256.9000 • cs@modway.com
www.modway.com

*modway



Read through all of the instructions before starting



Care instructions are listed in the last step of this manual



Approx. 120 minutes assembly time



Make sure you have all parts and components before discarding any packing materials



2 people recommended for assembly

Only use hand tools to assemble this item. Do not use power tools. Do not tighten bolts or screws completely until all hardware is lined up and inserted into the holes.

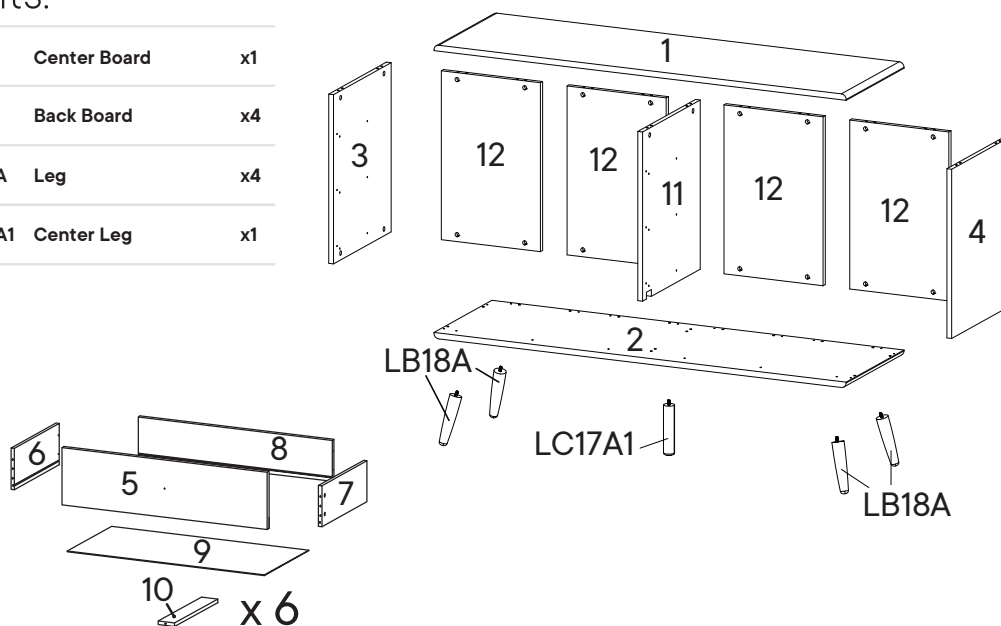
Do not over-tighten screws and bolts to avoid stripping the hardware or cracking the item.

Assemble your item on a flat, carpeted area, with plenty of space to work. This will prevent damage and scratches to your floors or the item while you're assembling the product.

Keep all components and packaging out of reach of children or animals to avoid risk of choking or suffocation.

Furniture components:

1	Top Board	x1	11	Center Board	x1
2	Bottom Board	x1	12	Back Board	x4
3	Side Board Left	x1	LB18A	Leg	x4
4	Side Board Right	x1	LC17A1	Center Leg	x1
5	Front Drawer	x6			
6	Side Drawer Left	x6			
7	Side Drawer Right	x6			
8	Back Drawer	x6			
9	Bottom Drawer	x6			
10	Support Drawer	x6			



Provided hardware:

A		Cam Bolt $\varnothing 6 \times 35$ mm	x56	J		Screw M 4.5 x 12.5 mm	x24	PM1		Mounting Plate	x4
B		Cam Lock $\varnothing 15$ mm	x26	K		Screw M 6.4 x 25 mm	x6	PM2		Mounting Plate	x1
C		Cam Lock $\varnothing 12$ mm	x30	L		Wedge	x24				
D		Wood Dowel $\varnothing 8 \times 30$ mm	x28	M		Screw M 3.5 x 15.5 mm	x24				
E		Wood Dowel $\varnothing 6 \times 30$ mm	x12	N		Screw M 4 x 22 mm	x6				
F		Allen Key	x1	O		Drawer Knob	x6				
G		Screw M 6 x 10.5 mm	x36	P		Screw M 7 x 50 mm	x2				
H		Screw M 3.5 x 13 mm	x36			Anti Deflection Bar	x1				
I		Screw M 8 x 39 mm	x36			Drawer Runner	x6				

What you need:

Phillips Head Screwdriver

Wait!

Missing parts or hardware? Need assistance?
Contact us before returning your item. We're here to help!
609.256.9000 • cs@modway.com

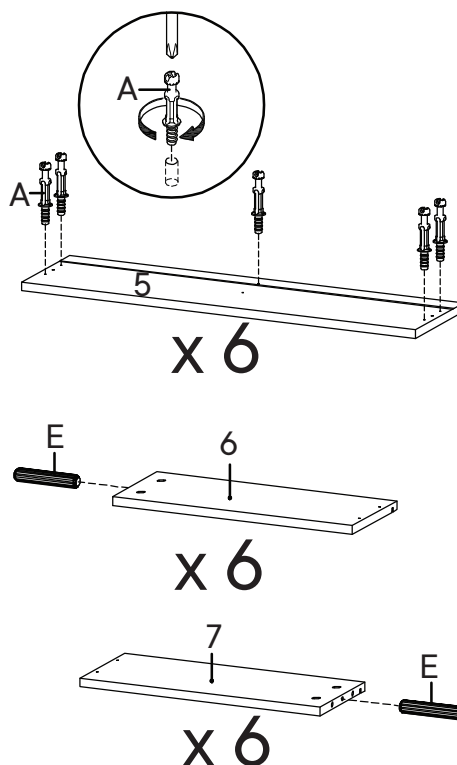
Step 1

HARDWARE

- A** Cam Bolt Ø6 x 35 mm x30
- E** Wood Dowel Ø6 x 30 mm x12

COMPONENTS

- 5** Front Drawer x6
- 6** Side Drawer Left x6
- 7** Side Drawer Right x6



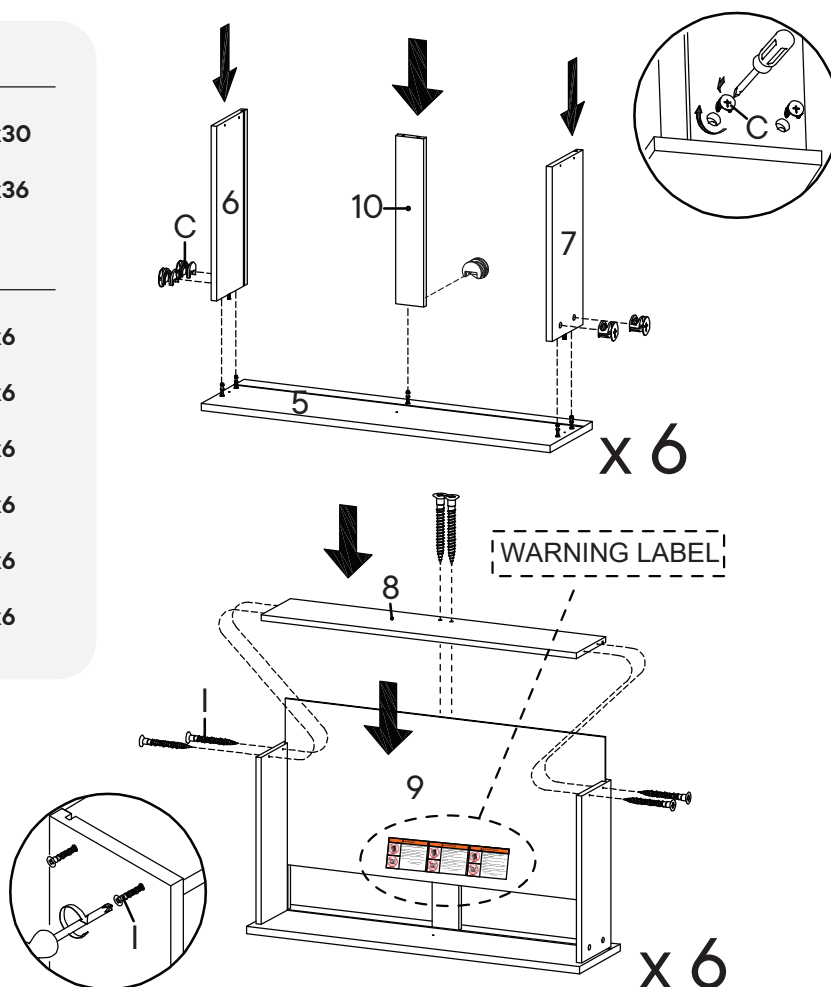
Step 2

HARDWARE

- C** Cam Lock Ø12 mm x30
- I** Screw M 8 x 39 mm x36

COMPONENTS

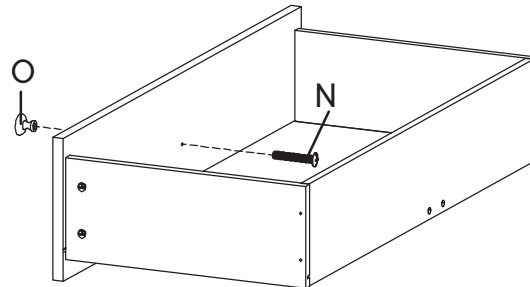
- 5** Front Drawer x6
- 6** Side Drawer Left x6
- 7** Side Drawer Right x6
- 8** Back Drawer x6
- 9** Bottom Drawer x6
- 10** Support Drawer x6



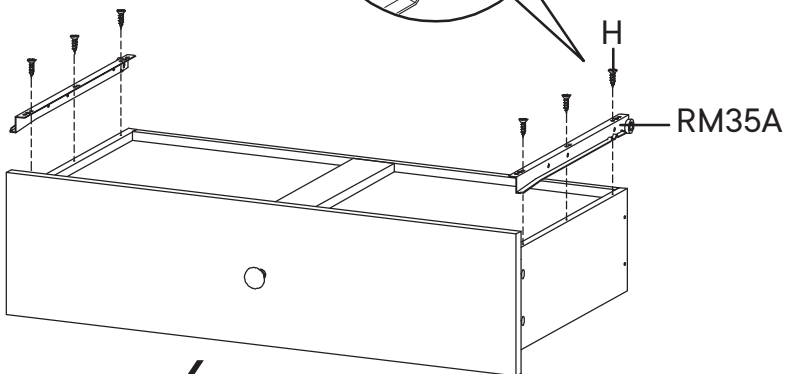
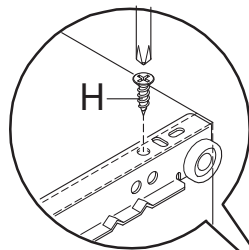
Step 3

HARDWARE

- H** Screw M 3.5 x 13 mm x36
- O** Drawer Knob x6
- N** Screw M 4 x 22 mm x6
- RM35A** Drawer Runner x6



x 6

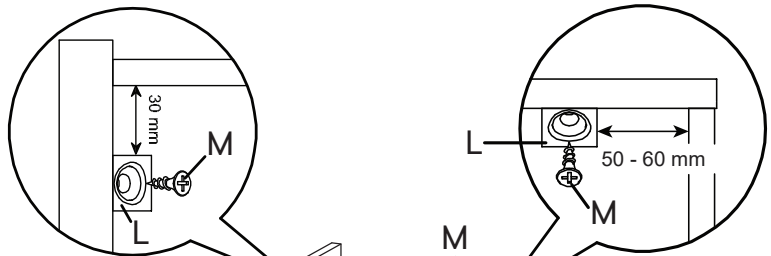


x 6

Step 4

HARDWARE

- L** Wedge x24
- M** Screw 3.5 x 15.5 mm x24



x 6

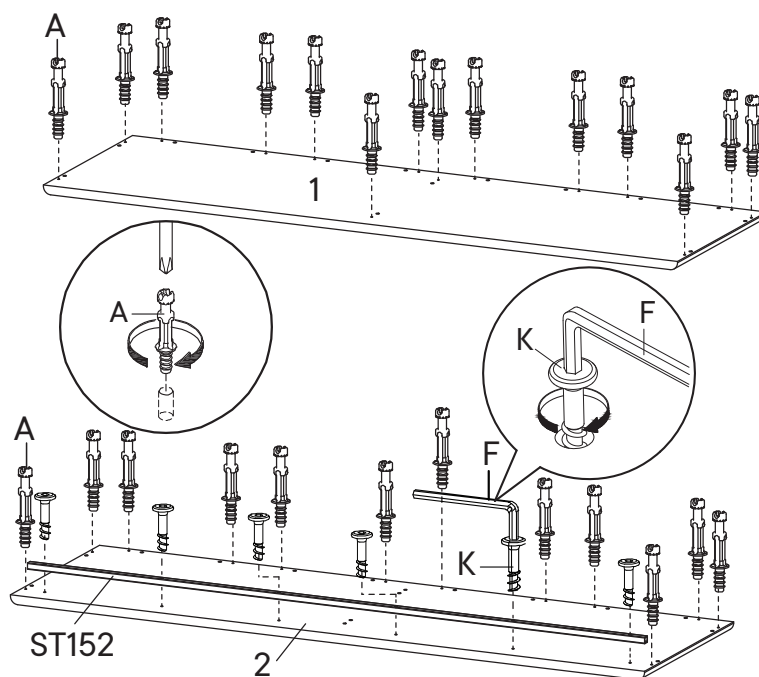
Step 5

HARDWARE

- A** Cam Bolt $\varnothing 6 \times 35$ mm x26
- F** Allen Key x1
- K** Screw M 6.4 x 25 mm x6
- ST152** Anti Deflection Bar x1

COMPONENTS

- 1** Top Board x1
- 2** Bottom Board x1



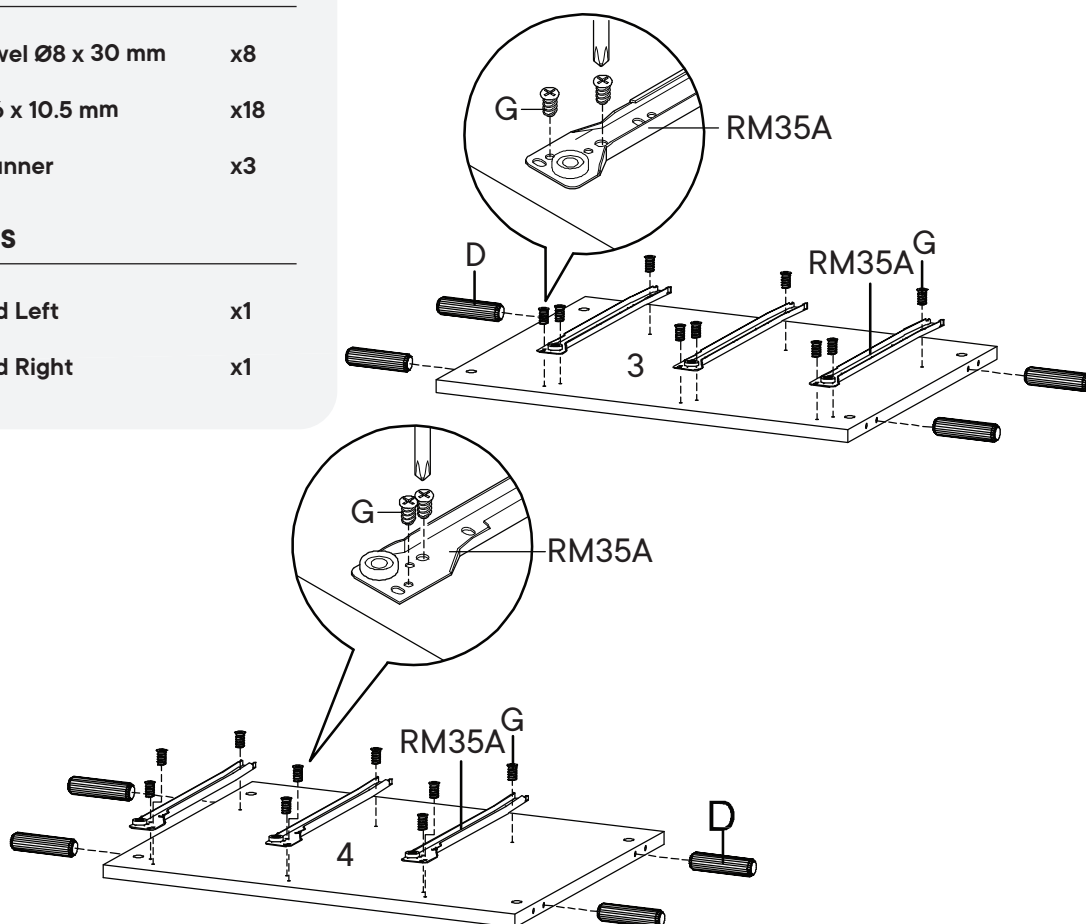
Step 6

HARDWARE

- D** Wood Dowel $\varnothing 8 \times 30$ mm x8
- G** Screw M 6 x 10.5 mm x18
- RM35A** Drawer Runner x3

COMPONENTS

- 3** Side Board Left x1
- 4** Side Board Right x1



Step 7

HARDWARE

D Wood Dowel Ø8 x 30 mm x20

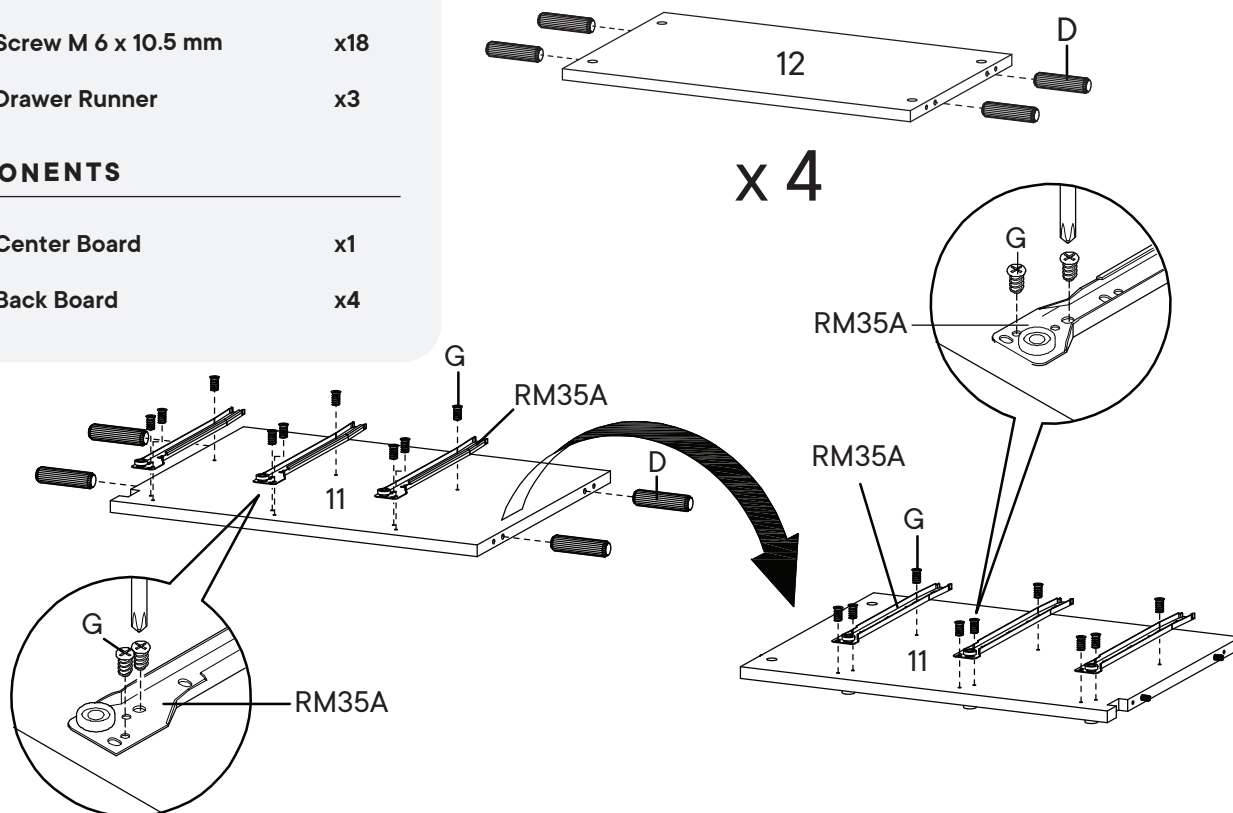
G Screw M 6 x 10.5 mm x18

RM35A Drawer Runner x3

COMPONENTS

11 Center Board x1

12 Back Board x4



Step 8

HARDWARE

B Cam Lock Ø15 mm x6

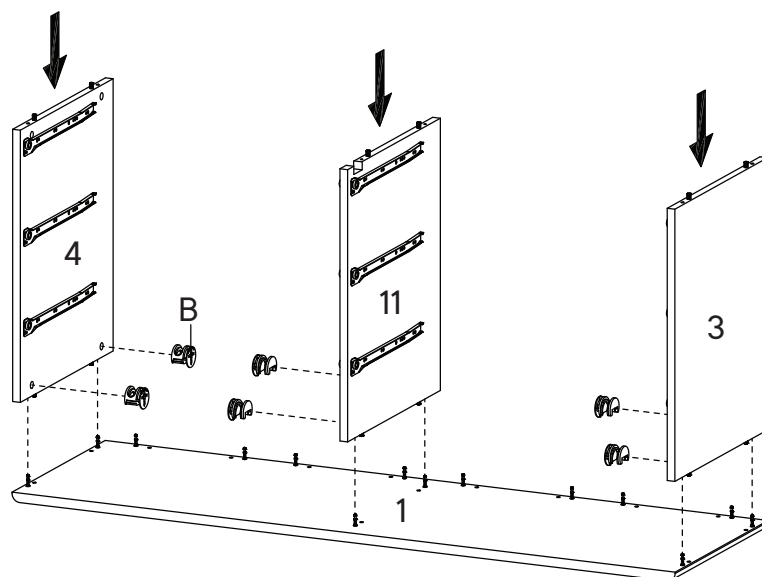
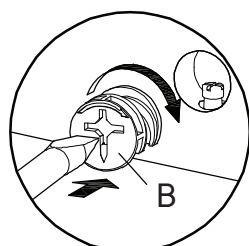
COMPONENTS

1 Top Board x1

3 Side Board Left x1

4 Side Board Right x1

11 Center Board x1



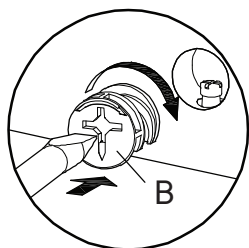
Step 9

HARDWARE

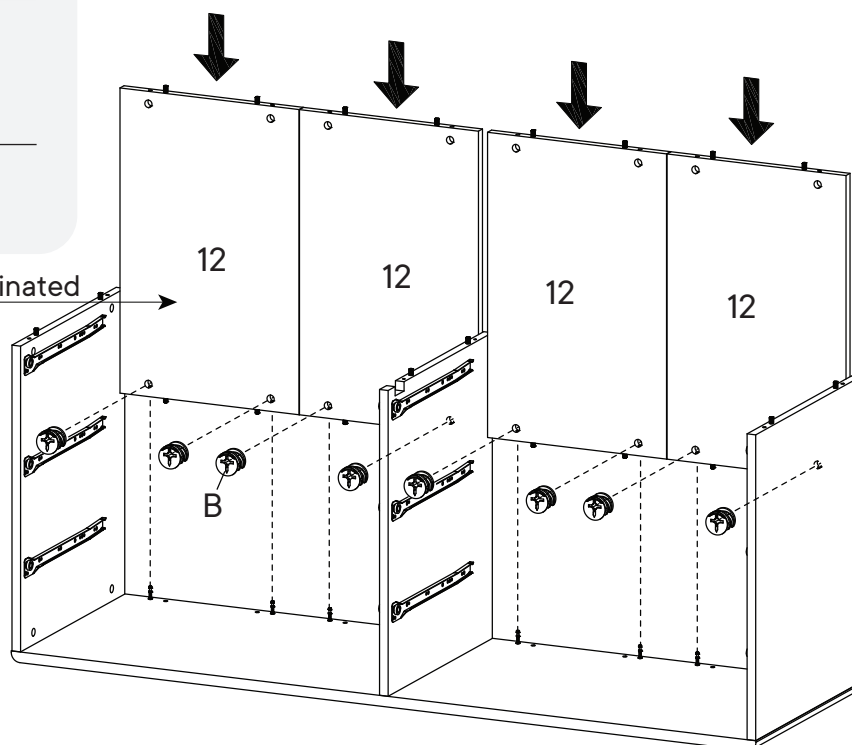
B Cam Lock Ø15 mm x8

COMPONENTS

12 Back Board x4



Not Laminated



Step 10

HARDWARE

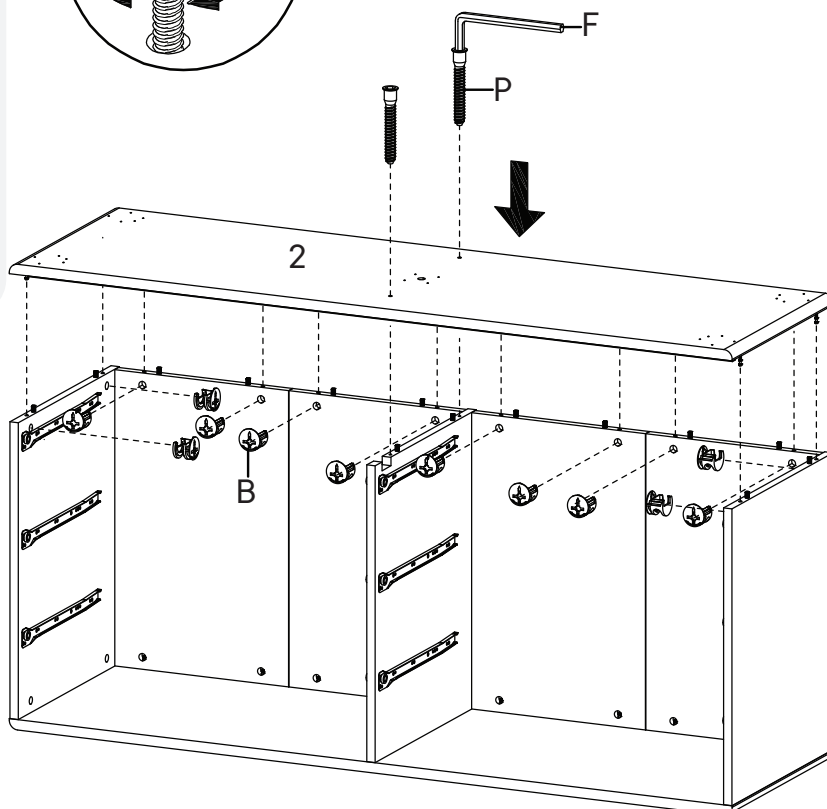
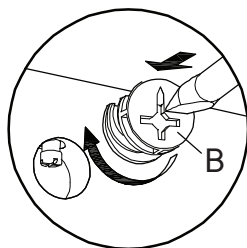
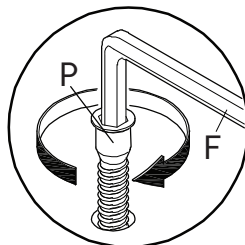
B Cam Lock Ø15 mm x12

F Allen Key x1

P Screw M 7 x 50 mm x2

COMPONENTS

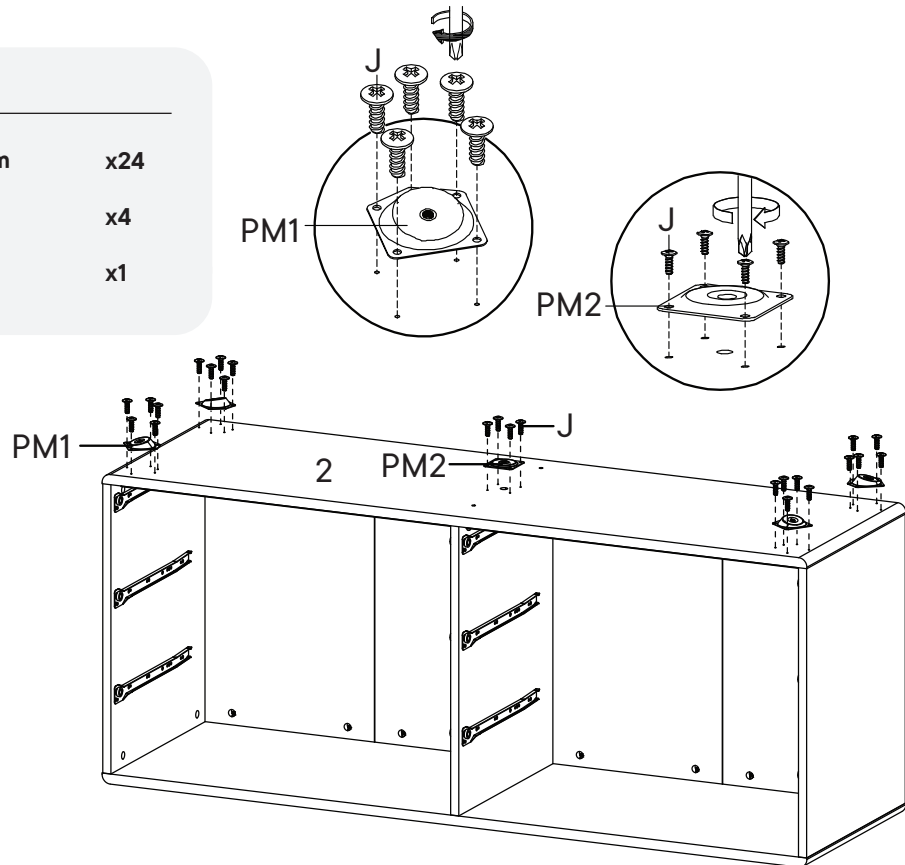
2 Bottom Board x1



Step 11

HARDWARE

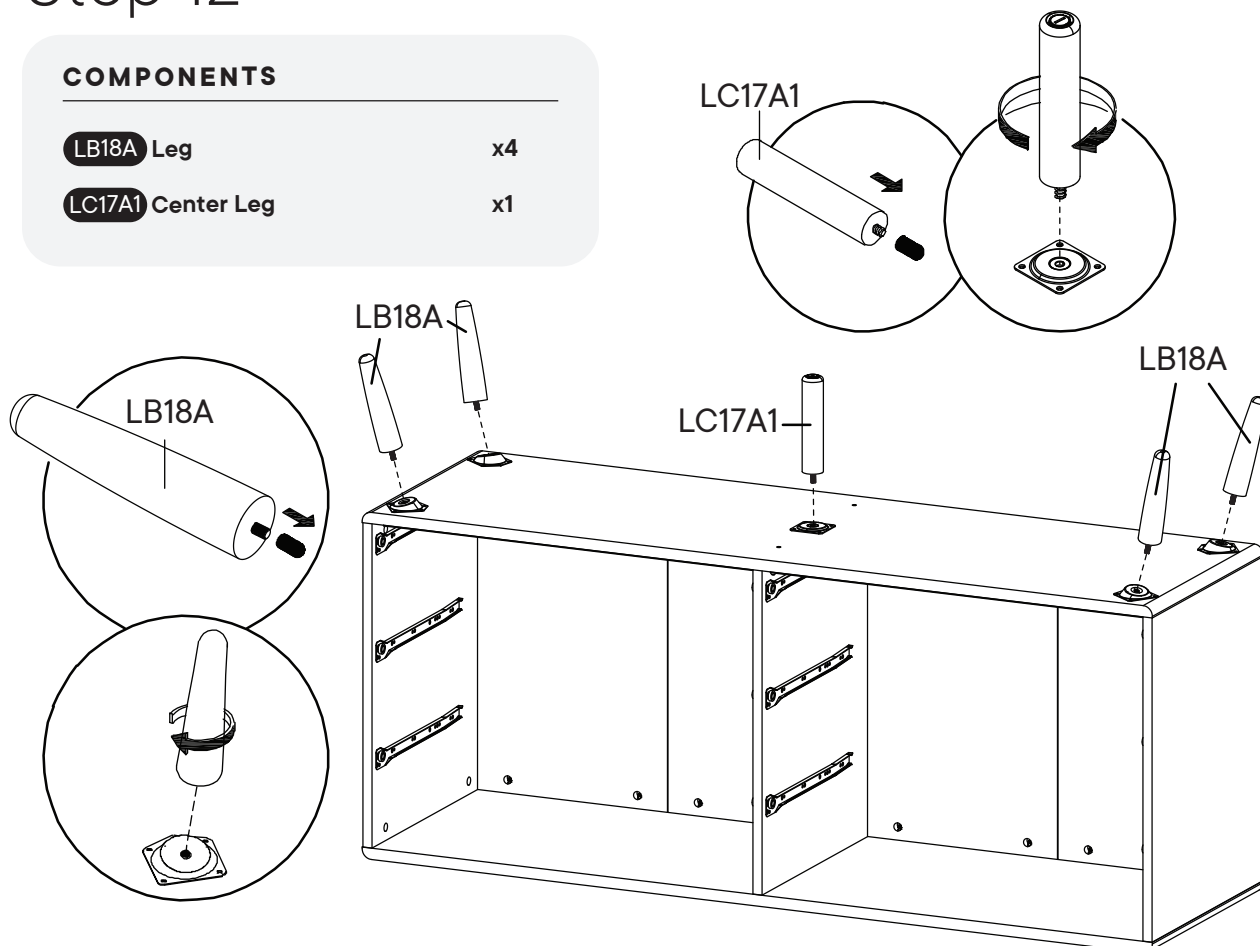
- J** Screw M 4.5 x 12.5 mm x24
- PM1** Mounting Plate x4
- PM2** Mounting Plate x1



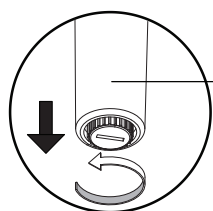
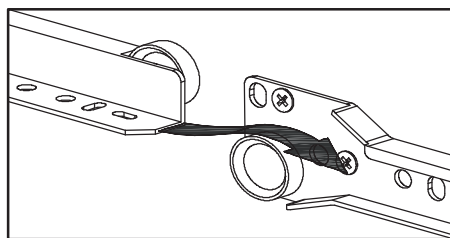
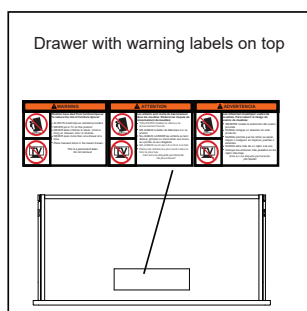
Step 12

COMPONENTS

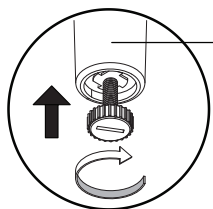
- LB18A** Leg x4
- LC17A1** Center Leg x1



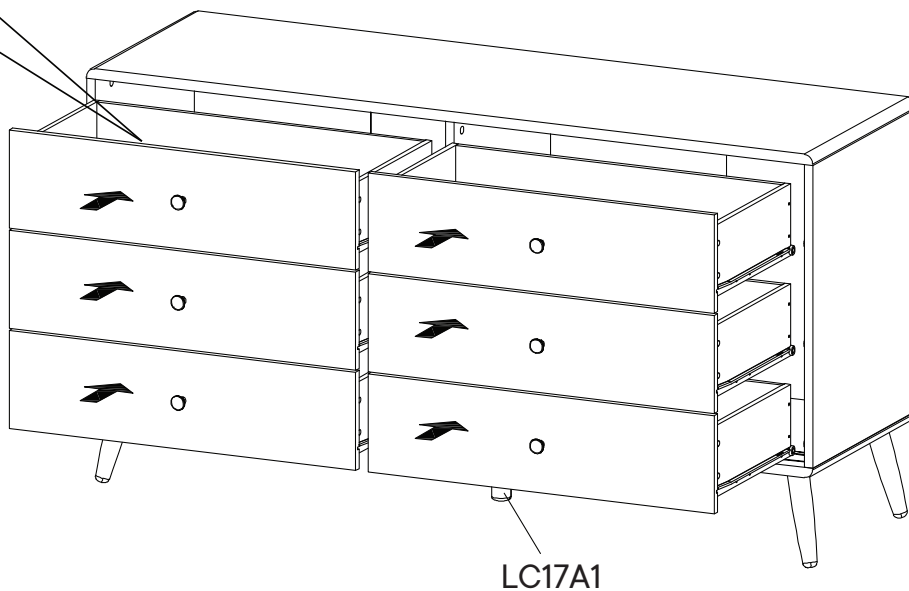
Step 13



LC17A1



LC17A1



Great job!

Chest Of Drawers assembly is complete.

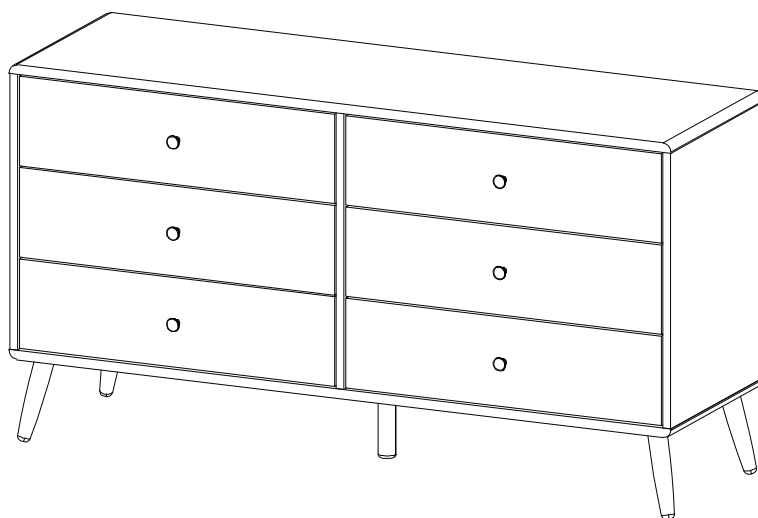
♥ CARING FOR YOUR ITEM

Indoor use only.

Not contract grade.

Clean using a non-abrasive cloth and a mild cleaner.

Never use harsh chemicals, as they could damage the finish or integrity of the item.



CONNECT WITH US!   

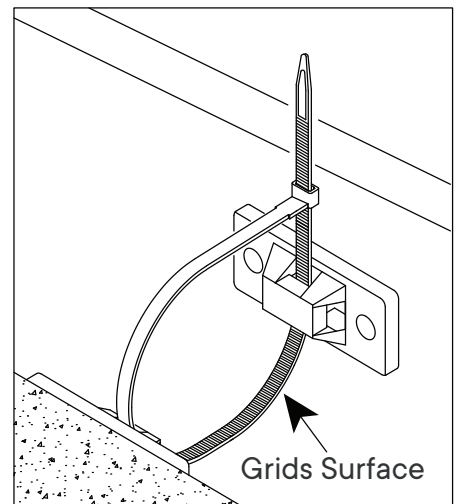
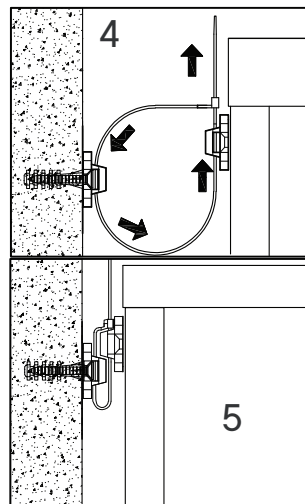
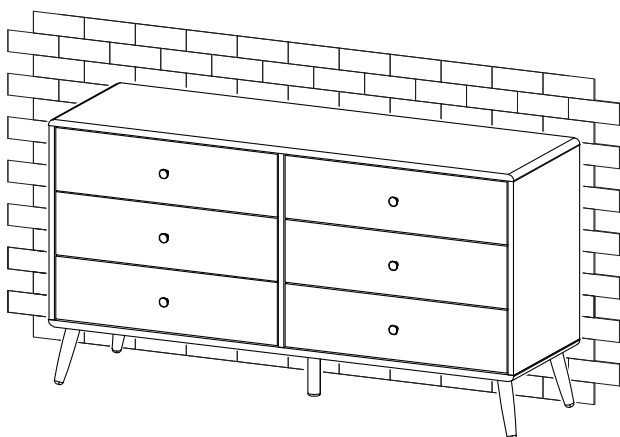
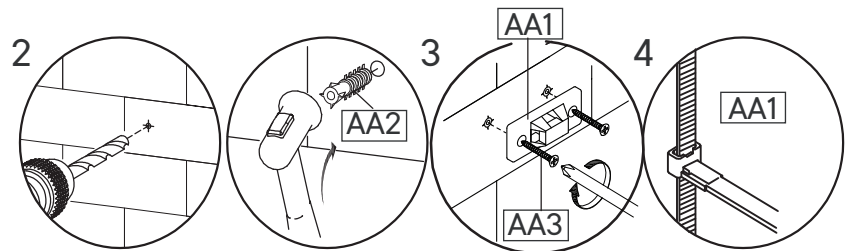
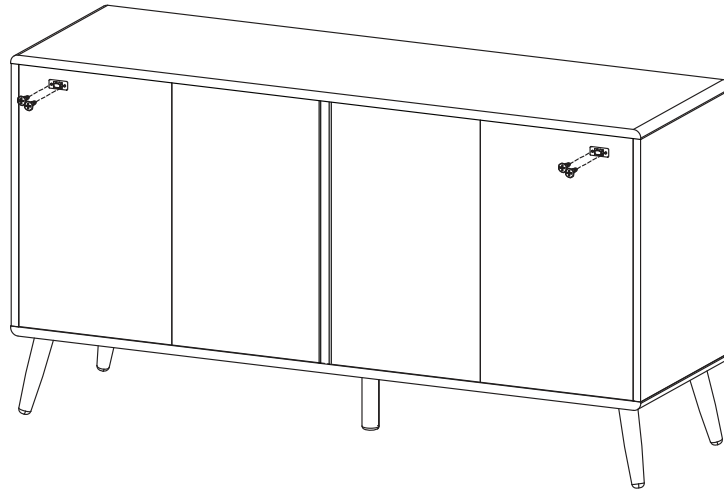
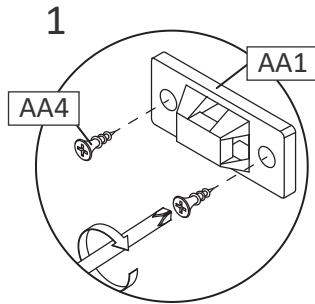
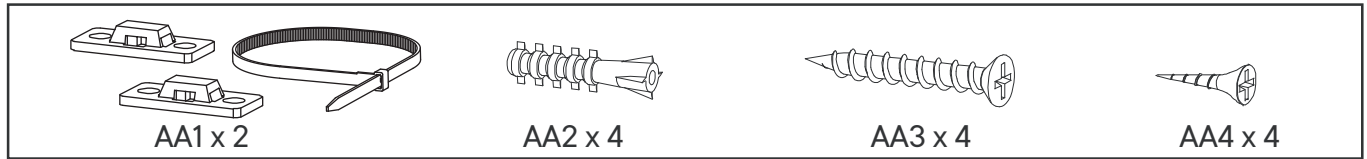
Tag us @modway_furniture and #modway for a chance to be featured.

TIPPING RESTRAINTS KIT INSTALLATION GUIDANCE

Different wall materials require unique wall fasteners.

The wall plugs (AA2) and screws (AA3) are designed for fixing to concrete walls only.

Please consult your local hardware store to ensure you are using the correct hardware for you wall type.



Installation Instructions :

1. Attach bracket (AA1) securely to the back top of the furniture using screw (AA4) provided. Allow 8 - 10 cm from each side.
2. Please make a hole for wall plugs position on the wall and minimum 15 mm below bracket secured to the back of unit attach the wall plugs (AA2).
3. Locate the other bracket (AA1) on the wall over wall plugs (AA2). Place furniture into position so both brackets (AA1) are vertically in the line.
4. Lace the end of the restrains strap through the larger hole in each bracket. Ensure the restrains strap with grids surface facing the inner loops. Bring both ends together and slide the flat end through the locking end and draw it through until all slack is removed.
5. Make sure that the strap is securely laced & locked.