






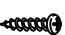


Thank you for purchasing the **MODWAY BED !**
 Before you start, here is some helpful advice:

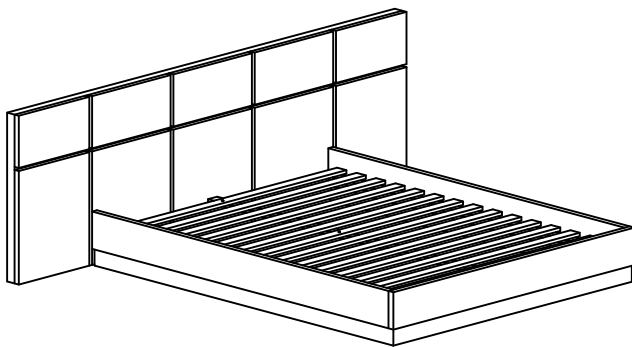
1. We suggest you spend a short time reading through this leaflet and then follow the simple step by step instructions.
2. Owing to the size and weight of the bed, we recommend that it is assembled by two adults, on a carpeted or padded area, in the room that it is intended for. Approx assembly time: 30 minutes.
3. Please do not use any tools other than those provided or recommended in these instructions.
4. Please do not throw away any of the packaging or the instruction until you have checked all the components and hardware and the furniture is fully assembled. Please ensure that the packaging is disposed of in a safe environmentally friendly way.
5. Assemble all components loosely until advised to tighten. Depending on use, it may be necessary to tighten the components from time to time, so please save the tools that has been provided.
6. Please keep all fitting out of reach of children.

Hardware for Headboard

A		JCBB SCREW M8 x 16MM	x8
B		M5 ALLEN KEY	x1

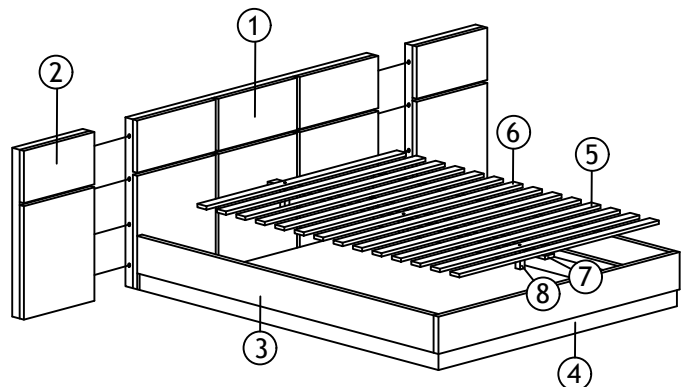
Hardware for Bed Frame and Legs

C		JCBC SCREW M6 x 50MM	x3
D		SPRING WASHER 1/4"	x11
E		ADJUSTABLE GLIDE C167	x3
F		M4 ALLEN KEY (BALL SHAPE)LONG	x1
G		PAN HEAD SCREW M4 x 25MM	x28
H		JCBC SCREW M6 x 40MM	x8
I		FLAT WASHER 1/4"	x8
J		PROTECTION PAD	x6



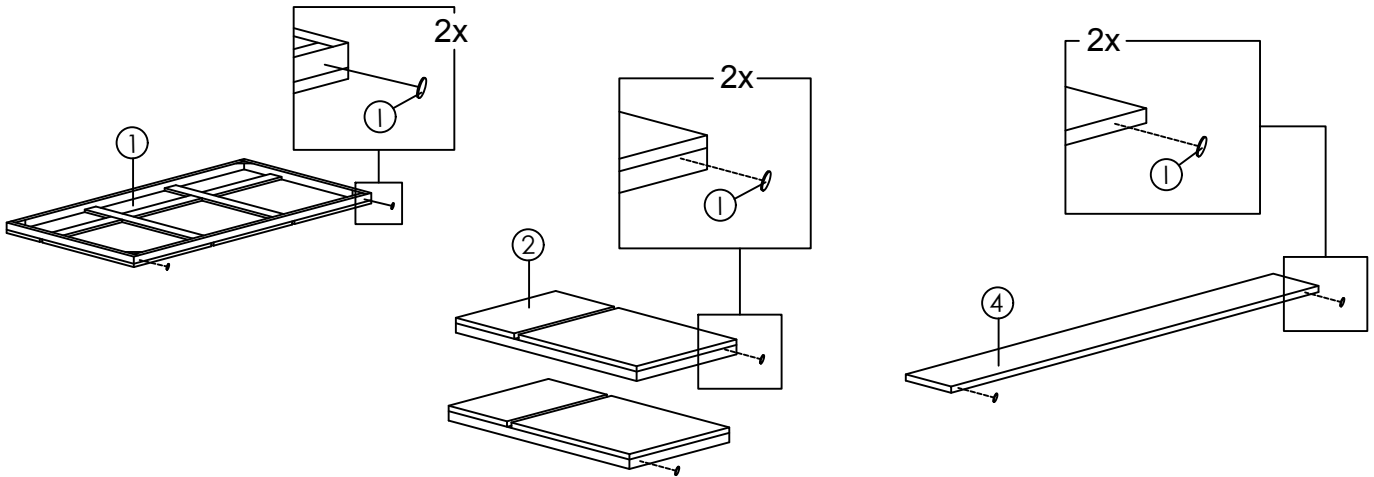
Component :


- | | |
|----------------------|------------------------|
| 1- HEADBOARD | 5- SLAT |
| 2- HEADBOARD SUPPORT | 6- SLAT WITH HOLE |
| 3- SIDERAIL (L & R) | 7- CENTER SLAT |
| 4- FOOTBOARD | 8- CENTER SLAT SUPPORT |



STEP 1 :

Place **HEADBOARD (1)**, **HEADBOARD SUPPORT(2)** ,and **FOOTBOARD(4)** on a carpeted or padded area as shown. Then, place the **FELT PROTECTOR (I)** to the Bottom of **HEADBOARD (1)**, **HEADBOARD SUPPORT(2)** ,and **FOOTBOARD(4)** or padded area as shown.

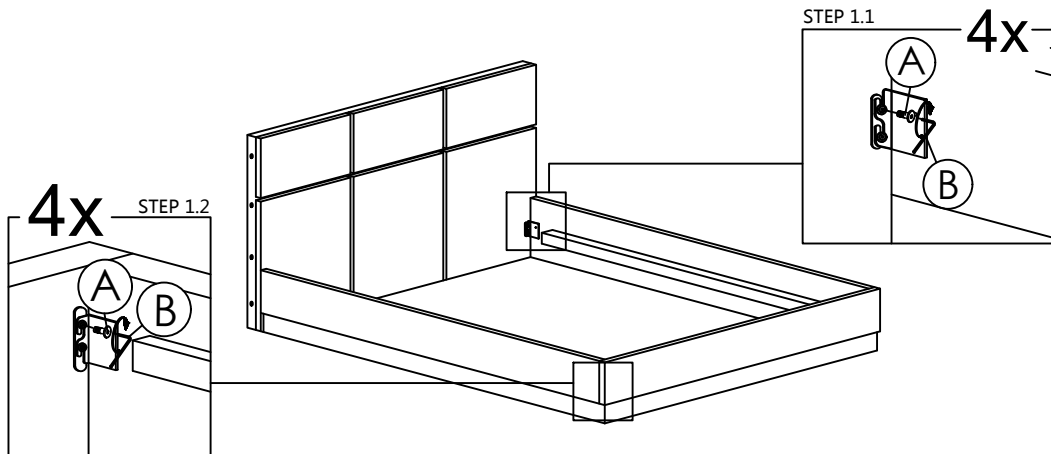





1 x 6

Hardware & Tool required

STEP 2 :

Place **SIDERAIL (L & R)(3)** and **FOOTBOARD(4)** on a carpeted or padded area as shown. Attach **FOOTBOARD(4)** into **SIDERAIL (L & R)(3)** by inserting **JCBB SCREW M8 x 16MM(A)**. Tighten with **M5 ALLEN KEY(B)**.

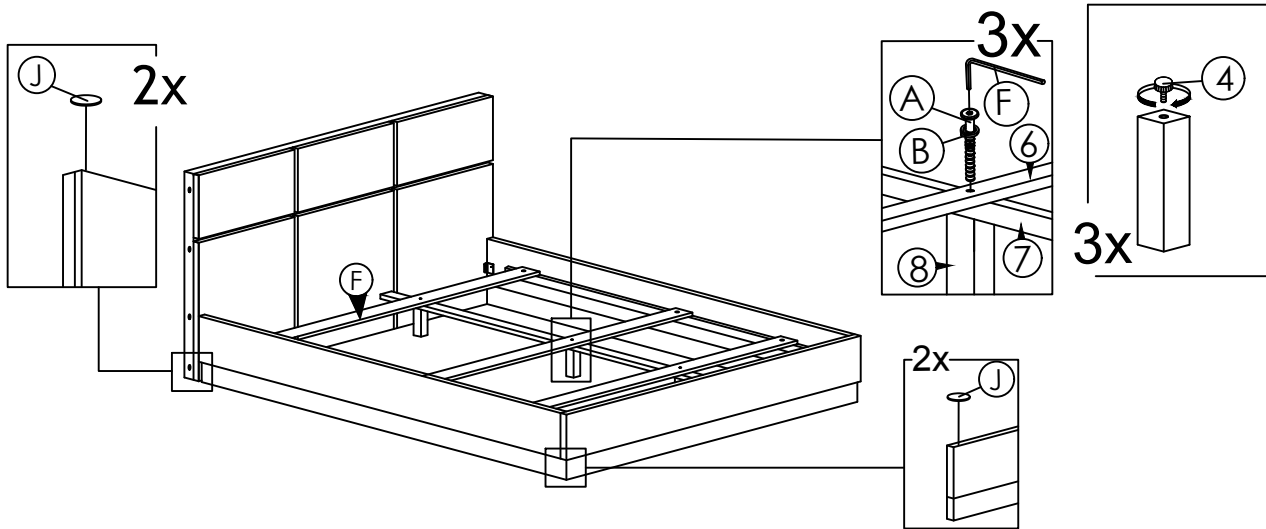


	
A x 8	B x 1

Hardware & Tool required

STEP 3 :

Flip the assembled **CENTER SLAT(7)** over. Place the **SLAT WITH HOLE(6)** on the **CENTER SLAT (7)** and place the **CENTER SLAT SUPPORT(8)** attach them by inserting **JCBC SCREW M6 x 50MM(C)**,and **Spring Washer¹/₄"**. Tighten with **M4 Allen Key(Ball Shape)Long(D)**.Then, attach **ADJUSTABLE GLIDE C167(E)** into **CENTER SLAT SUPPORT(8)**.

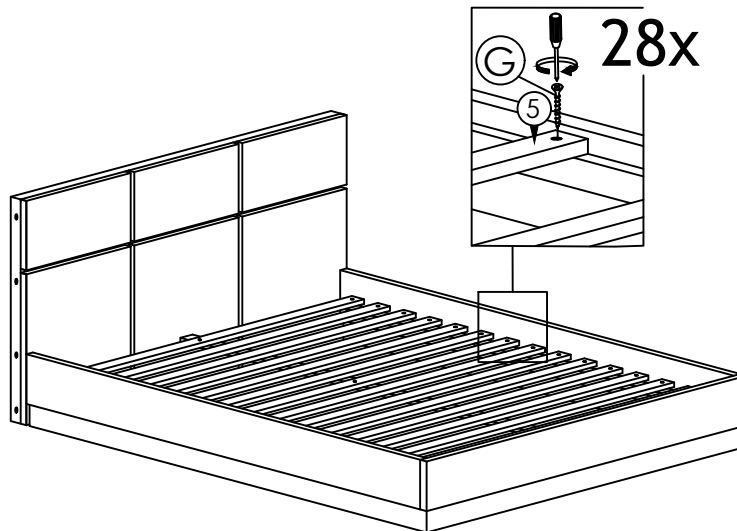


A x 3	B x 3	B x 3	F	J x 4

Hardware & Tool required

STEP 4 :

Screw the **slat(5)** by inserting **PAN HEAD SCREW M4 x 25MM (G)** or padded area as shown. Tighten with **SCREW DRIVER**.

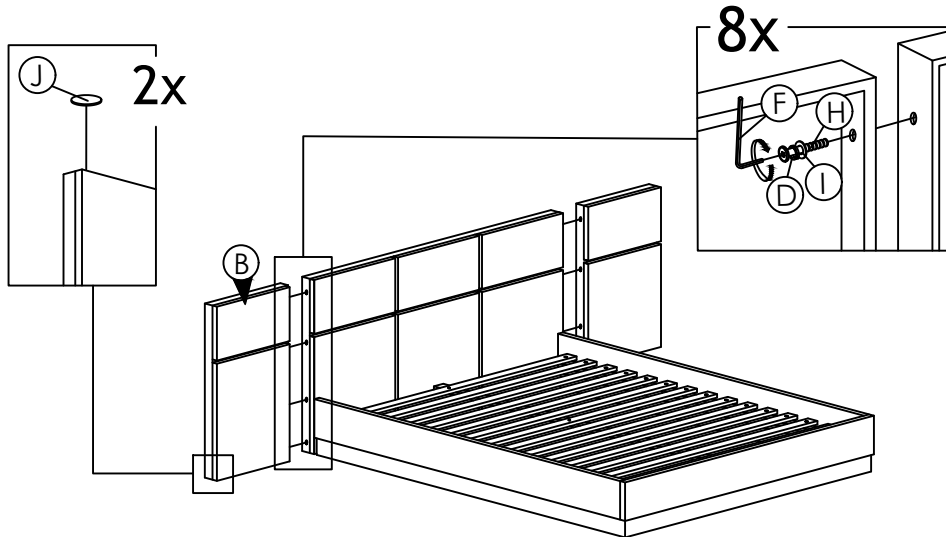


G x 28

Hardware & Tool required

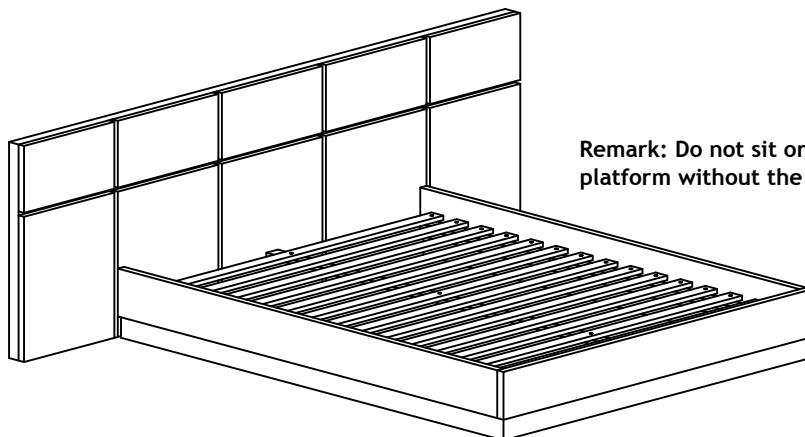
STEP 5 :

Place the Headboard(1) with Headboard support(2) attach them by inserting JCBC SCREW M6 x 40MM(H), SPRING WASHER 1/4"(D), and FLAT WASHER 1/4"(I). Tighten with M4 ALLEN KEY (BALL SHAPE)LONG(F).



H x 8	D x 8	I x 8	F	J x 2

Hardware & Tool required



Remark: Do not sit or lie down on the platform without the mattress

Assembly is complete, the bed is ready to be enjoyed now!