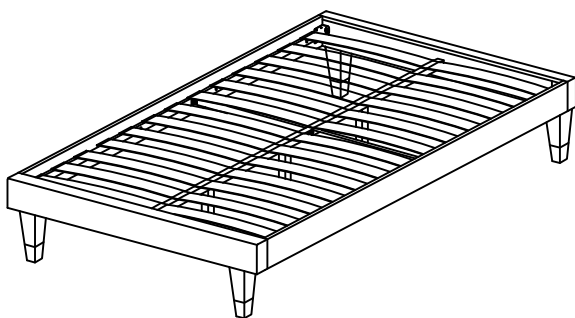


# MOD - 6270

Thank you for purchasing the **MODWAY BED!**

Before you start, here are some helpful advice:

1. We suggest you spend a short time reading through this leaflet and then follow the simple step instructions.
2. Owing to the size and weight of the bed, we recommend that it is assembled by two adults, on a carpeted or padded area, in the room that it is intended for. Approximate assembly time: 35 minutes.
3. Please do not use any tools other than those provided or recommended in these instructions.
4. Please do not throw away any of the packaging or the instruction until you have checked all the components and hardware and the furniture is fully assembled. Please ensure that the packaging is disposed of in a safe environmentally friendly way.
5. Assemble all components loosely until advised to tighten. Depending on use, it may be necessary to tighten the components from time to time, so please save tools that have been provided.
6. Please keep all fitting out of reach of children.

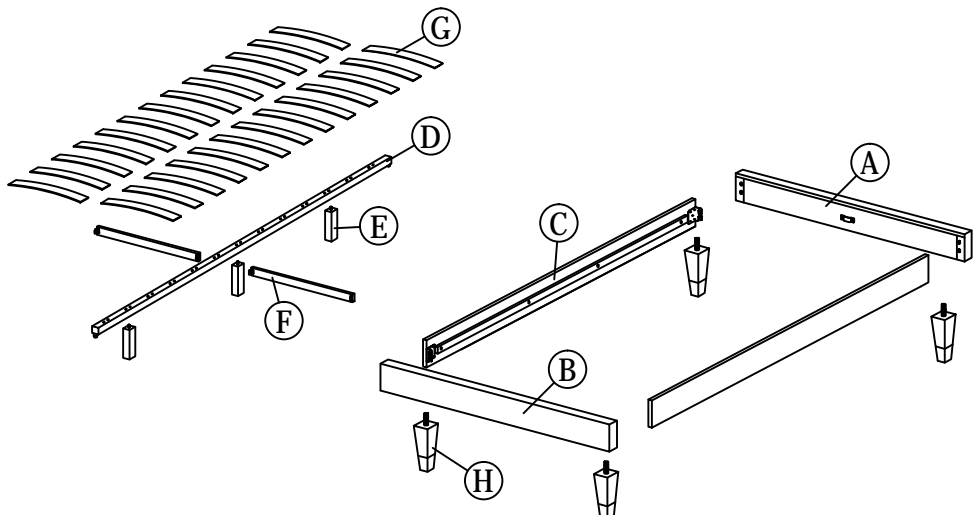


Hardware:

1		WOOD SCREW M4 x 20mm	2 PCS
2		WOOD SCREW M3.5 x 16mm	8 PCS
3		PVC BLACK WASHER	4 PCS
4		BED SLAT SIDE FITTER	26 PCS
5		BED SLAT CENTER FITTER	13 PCS
6		M5 ALLEN KEY (BALL SHAPE)	1 PC

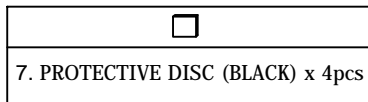
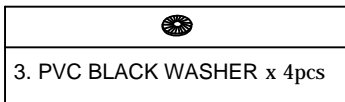
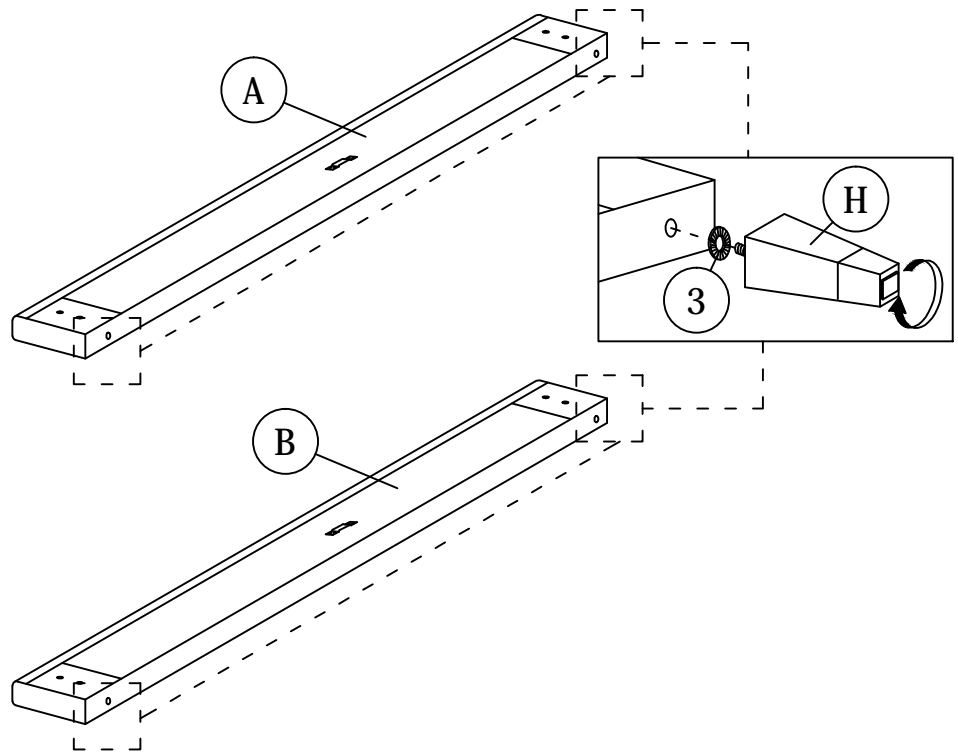
Component:

A.	HEADBOARD	x 1
B.	FOOTBOARD	x 1
C.	SIDE RAIL (L/R)	x 2
D.	CENTER RAIL	x 1
E.	CENTER RAIL LEG	x 3
F.	CENTER RAIL SUPPORT	x 2
G.	BED SLAT	x 26
H.	BED LEG	x 4



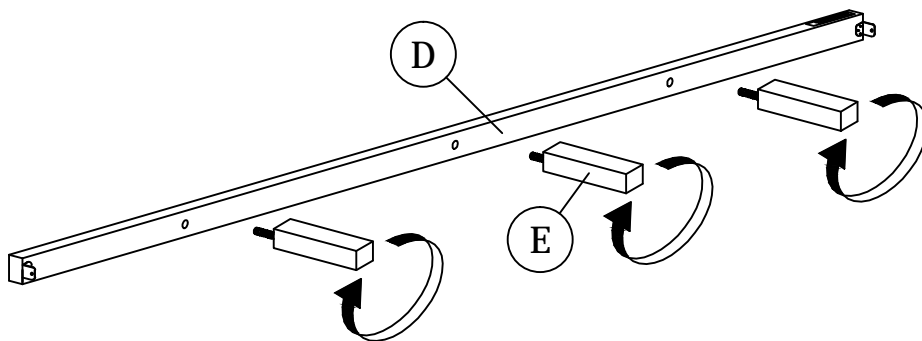
STEP 1

1.1 Insert and secure the Bed leg (H) to the Headboard (A) and Footboard (B) using hardware parts PVC Black Washer (3).



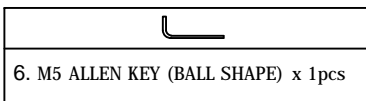
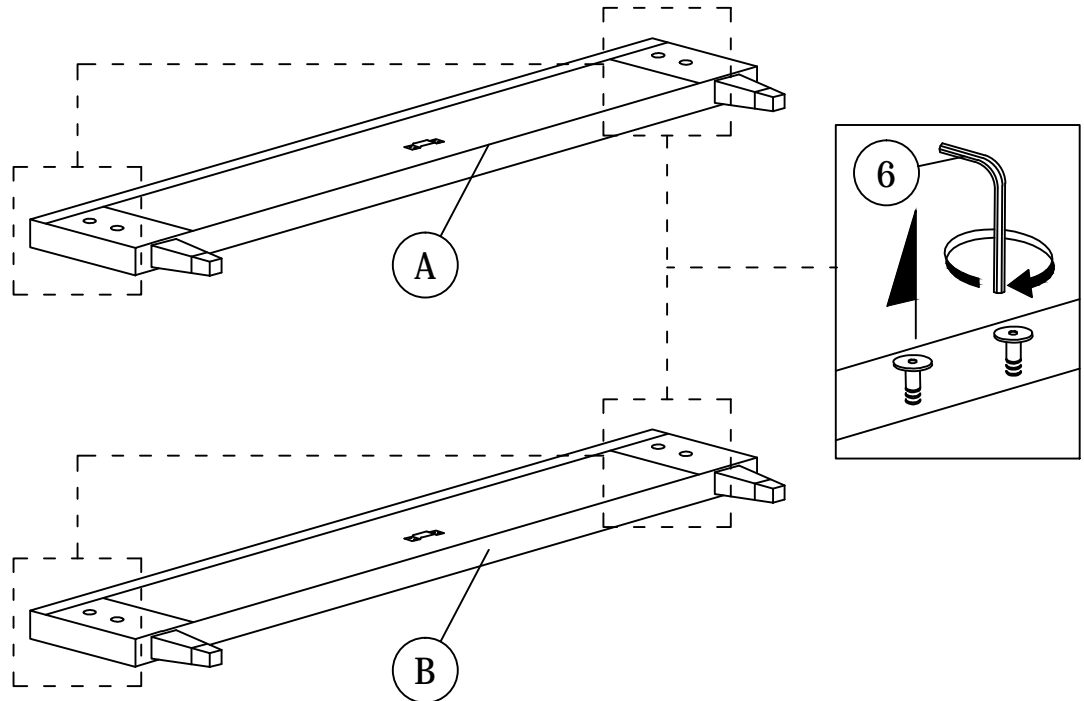
STEP 2

2.1 Fasten Center Rail Leg (E) to Center Rail (D) attach by screwing the protruding nut into the corresponding holes.



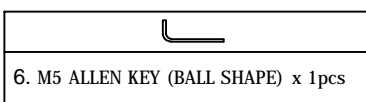
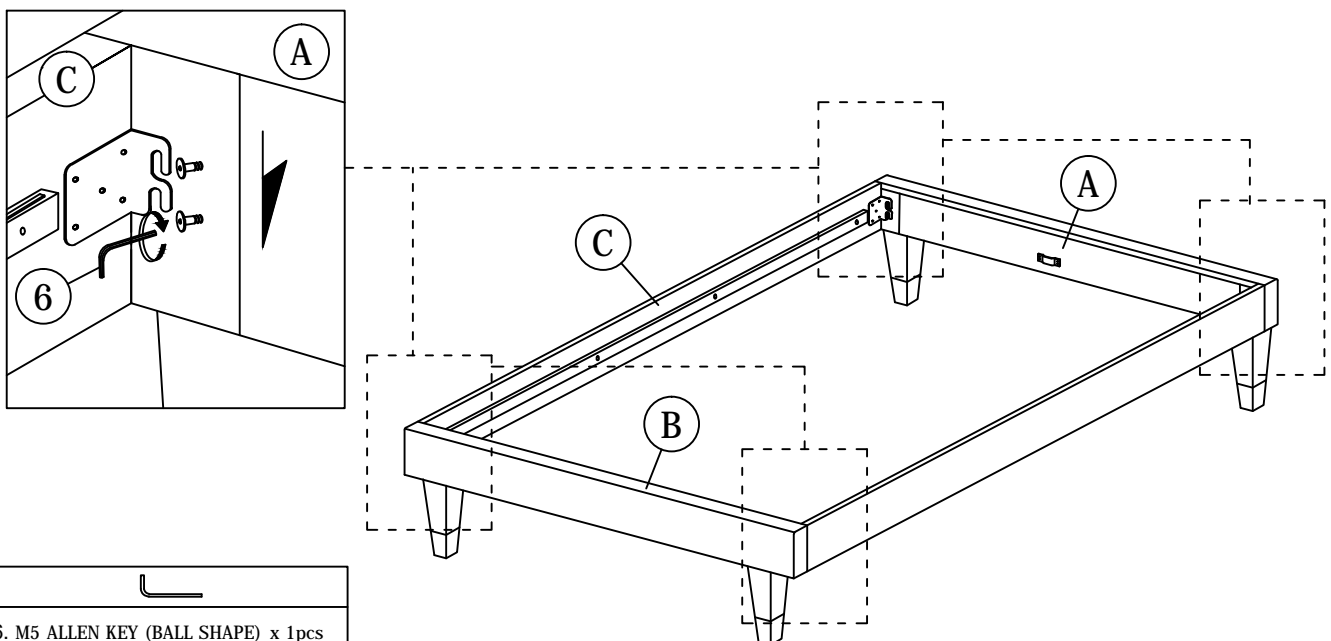
STEP 3

3.1 Loosen the pre-inserted bolt on the Headboard (A) & Footboard (B) using hardware part Allen Key (6).



STEP 4

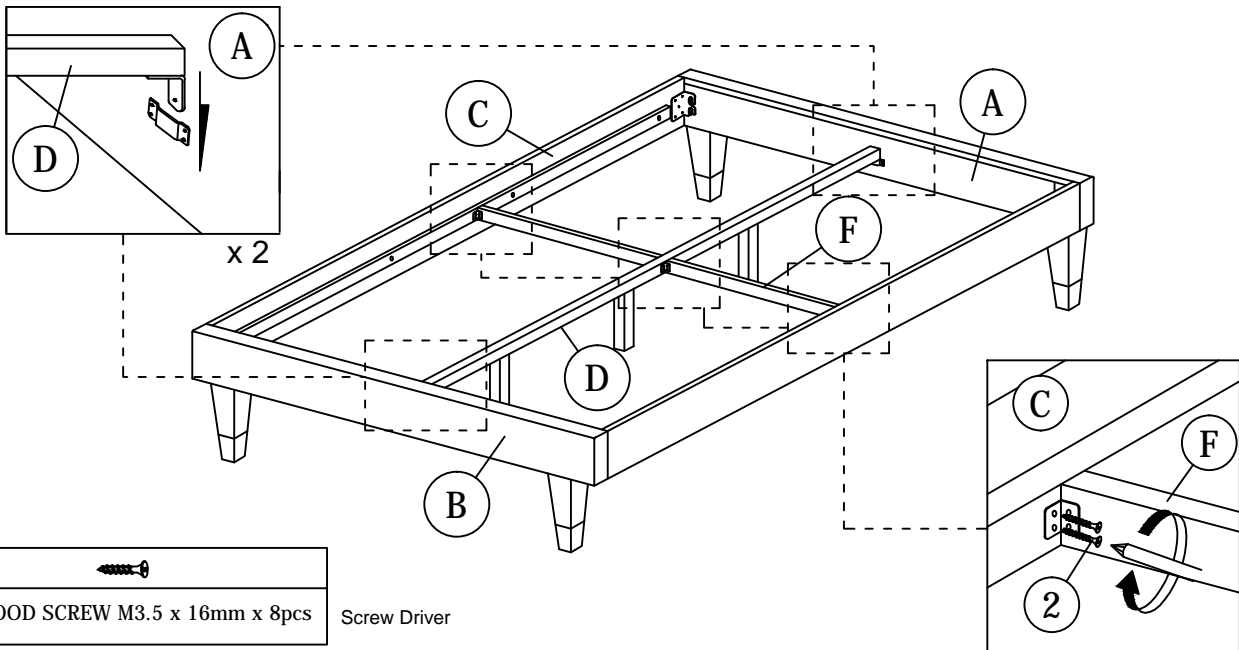
4.1 Attach the Side Rails (C) to the Headboard (A) & Footboard (B) using hardware part Allen Key (6).



**STEP 5**

5.1 Locate Center Rail (D) into the corresponding brackets inside of Headboard (A) and Footboard (B).

5.2 Insert and secure the Center Rail Support (F) to the Center Rail (D) & Side Rail (C) using hardware parts Wood Screw (2).

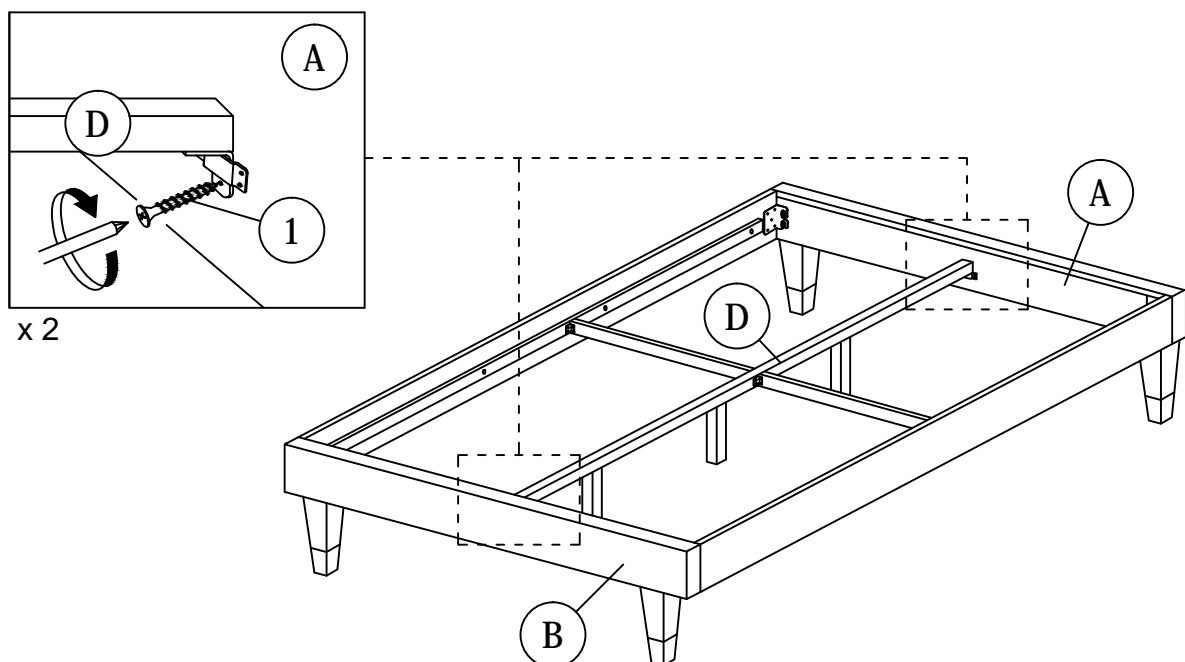


2. WOOD SCREW M3.5 x 16mm x 8pcs

Screw Driver

**STEP 6**

6.1 Locate Center Rail (D) into the corresponding brackets inside of Headboard (A) and Footboard (B) using hardware parts Wood Screw (1).

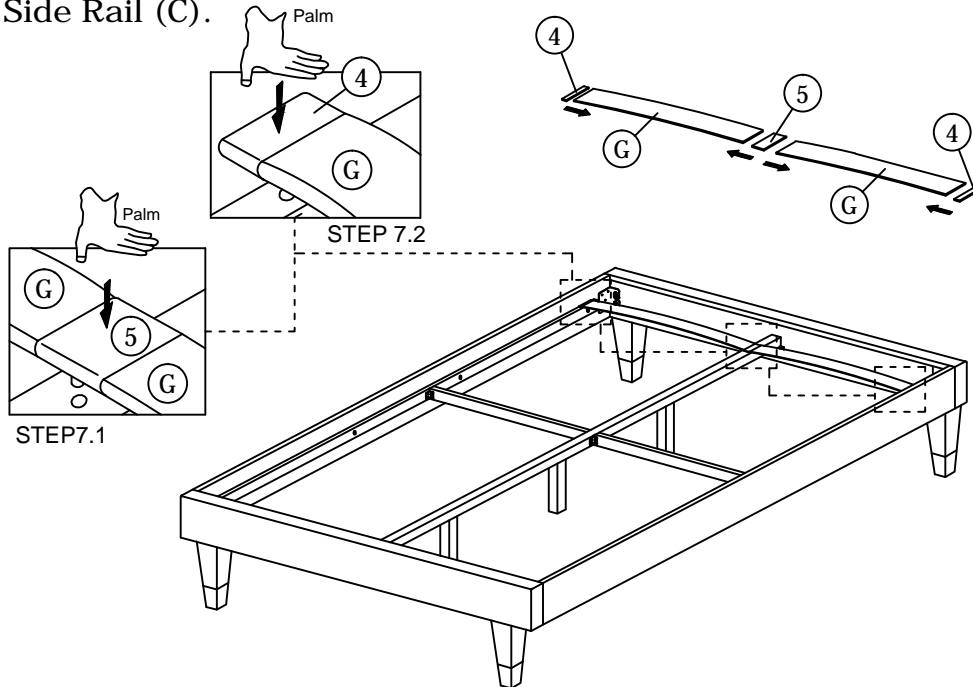


1. WOOD SCREW M4 x 20mm x 2pcs

Screw Driver

**STEP 7**

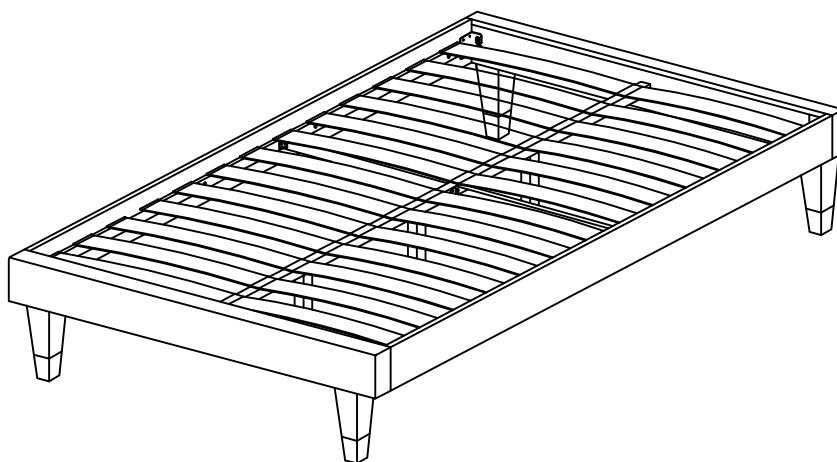
7.1 Insert the Slats (G) into the end Slat cap (4) & (5) and fix it to the corresponding holes on the Side Rail (C).



4. BED SLAT SIDE FITTER x 26pcs	5. BED SLAT CENTER FITTER x 13pcs

**STEP 8**

8.1 Carefully position the assembled bed to the desired location by four adults.



Assembly is complete. The bed is ready to use now!

**NOTE:** Hardware may loosen over time. Periodically check that all connections are tight.