



Thank you for purchasing the **MODWAY BED !**  
 Before you start, here is some helpful advice:

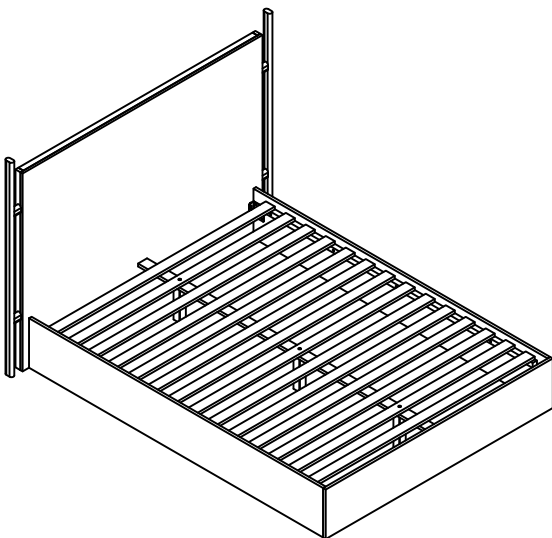
1. We suggest you spend a short time reading through this leaflet and then follow the simple step by step instructions.
2. Owing to the size and weight of the bed, we recommend that it is assembled by two adults, on a carpeted or padded area, in the room that it is intended for. Approx assembly time: 30 minutes.
3. Please do not use any tools other than those provided or recommended in these instructions.
4. Please do not throw away any of the packaging or the instruction until you have checked all the components and hardware and the furniture is fully assembled. Please ensure that the packaging is disposed of in a safe environmentally friendly way.
5. Assemble all components loosely until advised to tighten. Depending on use, it may be necessary to tighten the components from time to time, so please save the tools that has been provided.
6. Please keep all fitting out of reach of children.

**Hardware for Headboard**

A		JCBB SCREW M8 x 16MM	<b>x8</b>
B		M5 ALLEN KEY	<b>x1</b>

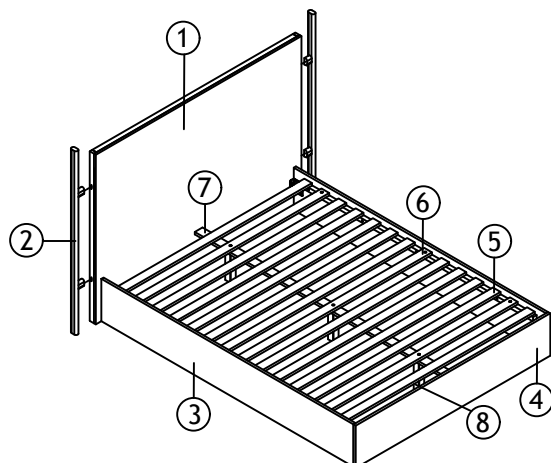
**Hardware for Bed Frame and Legs**

C		JCBC SCREW M6 x 50MM	<b>x3</b>
D		SPRING WASHER 1/4"	<b>x11</b>
E		ADJUSTABLE GLIDE C167	<b>x3</b>
F		M4 ALLEN KEY (BALL SHAPE )LONG	<b>x1</b>
G		PAN HEAD SCREW M4 x 25MM	<b>x28</b>
H		JCBC SCREW M6 x 40MM	<b>x4</b>
I		FLAT WASHER 1/4"	<b>x8</b>
J		PROTECTION PAD	<b>x4</b>



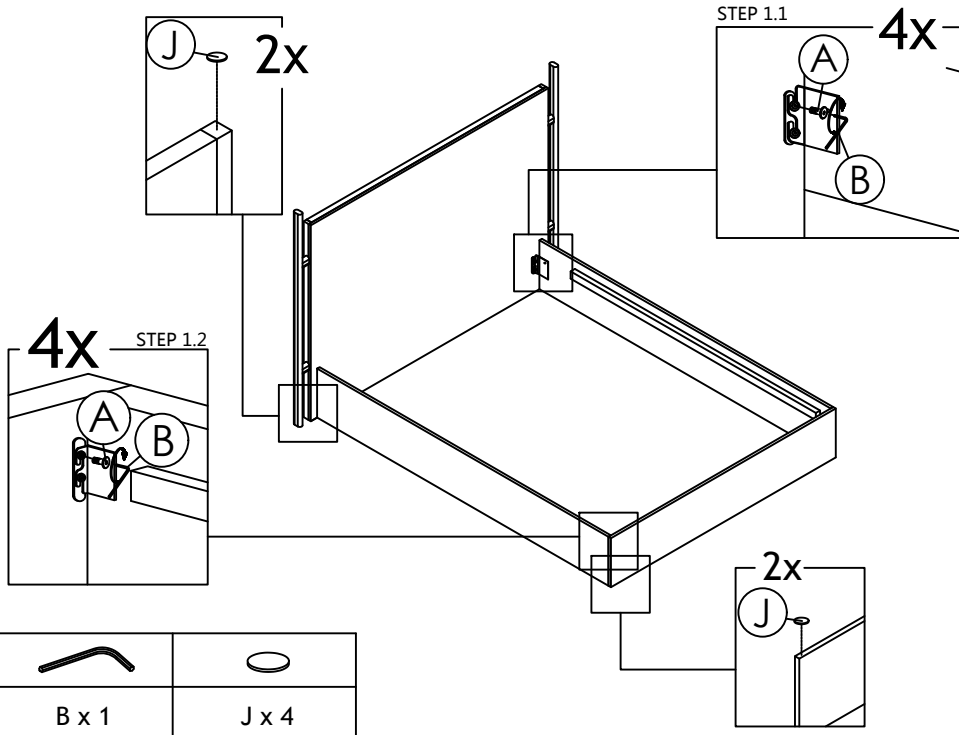
**Component :**

- |                      |                        |
|----------------------|------------------------|
| 1- HEADBOARD         | 5- SLAT                |
| 2- HEADBOARD SUPPORT | 6- SLAT WITH HOLE      |
| 3- SIDERAIL (L & R)  | 7- CENTER SLAT         |
| 4- FOOTBOARD         | 8- CENTER SLAT SUPPORT |



**STEP 1 :**

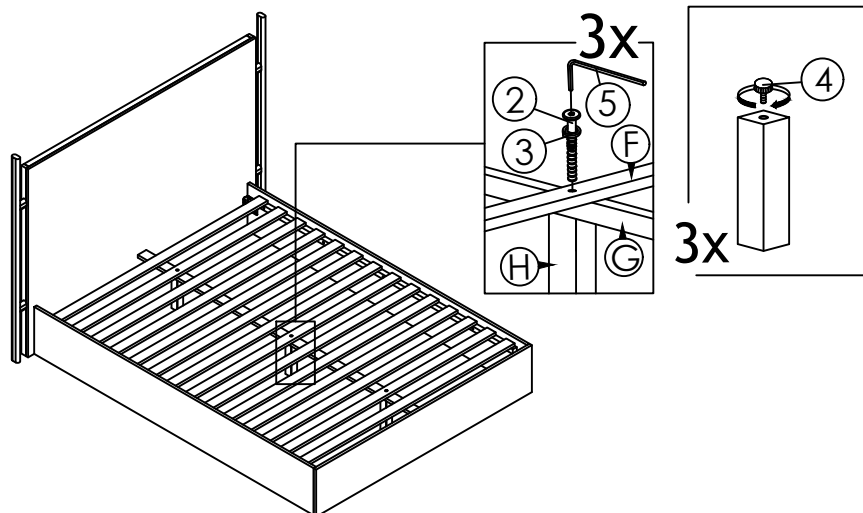
Place **SIDERAIL (L & R)(3)** and **FOOTBOARD(4)** on a carpeted or padded area as shown. Attach **FOOTBOARD(4)** into **SIDERAIL (L & R)(3)** by inserting **JCBB SCREW M8 x 16MM(A)**. Tighten with **M5 ALLEN KEY(B)**.






**Hardware & Tool required**

**STEP 2 :**

Flip the assembled **CENTER SLAT(7)** over. Place the **SLAT WITH HOLE(6)** on the **CENTER SLAT (7)** and place the **CENTER SLAT SUPPORT(8)** attach them by inserting **JCBB SCREW M6 x 50MM(C)**, and **Spring Washer<sup>1</sup>/<sub>4</sub>"**. Tighten with **M4 Allen Key(Ball Shape)Long(D)**. Then, attach **ADJUSTABLE GLIDE C167(E)** into **CENTER SLAT SUPPORT(8)**.

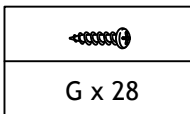
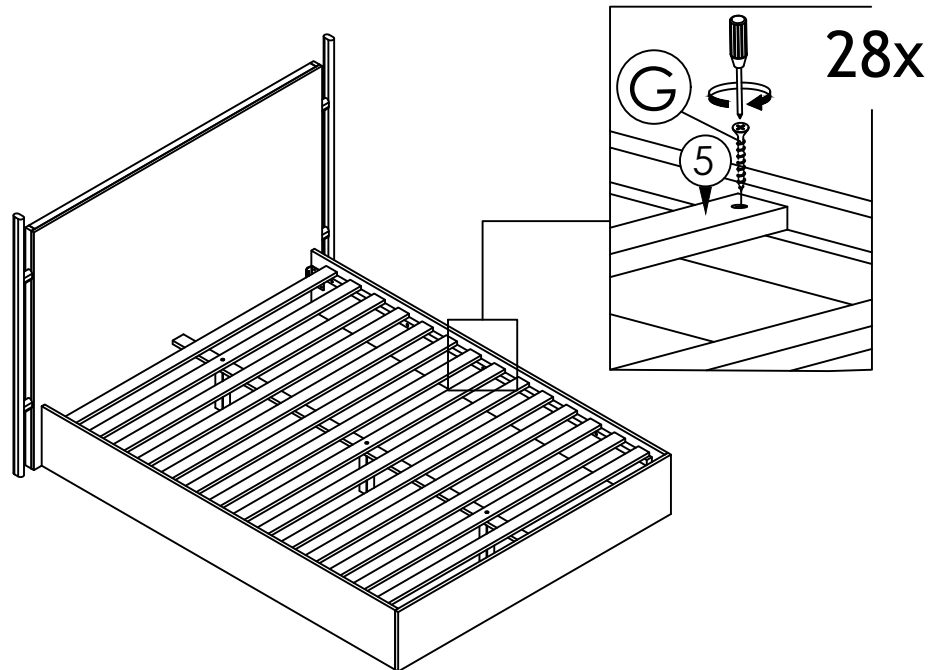
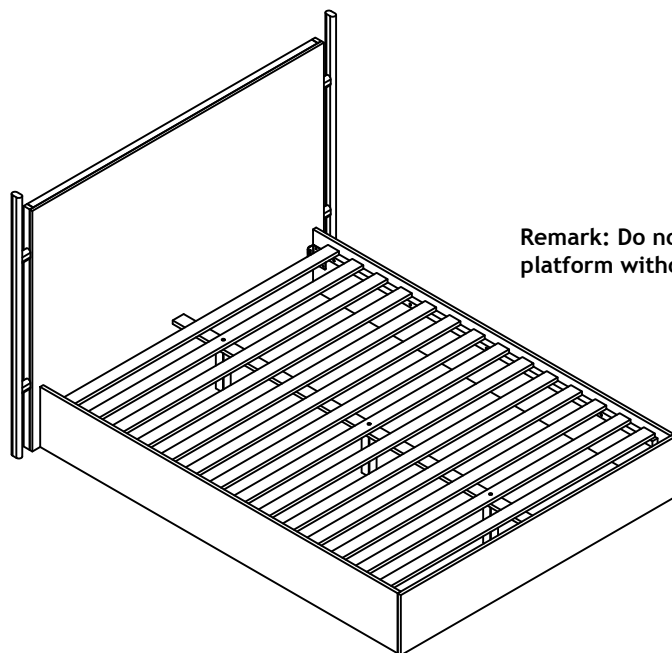


			
A x 3	B x 3	B x 3	F

**Hardware & Tool required**

**STEP 3 :**

Screw the **slat(5)** by inserting **PAN HEAD SCREW M4 x 25MM (G)** or padded area as shown. Tighten with **SCREW DRIVER**.

**Hardware & Tool required**

**Remark: Do not sit or lie down on the platform without the mattress**

**Assembly is complete, the bed is ready to be enjoyed now!**