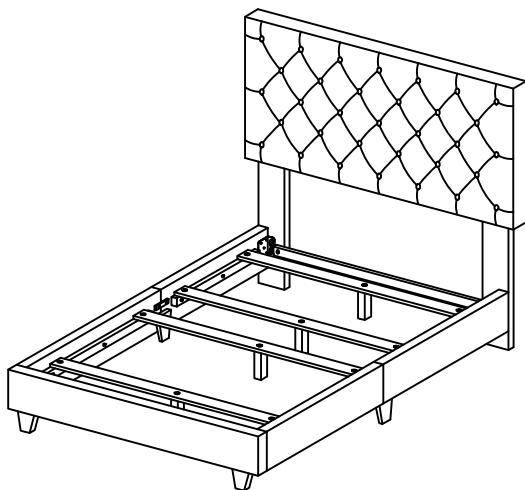


Thank you for purchasing the **MODWAY BED!**

Before you start, here are some helpful advice:

1. We suggest you spend a short time reading through this leaflet and then follow the simple step instructions.
2. Owing to the size and weight of the bed, we recommend that it is assembled by two adults, on a carpeted or padded area, in the room that it is intended for. Approx assembly time: 35 minutes.
3. Please do not use any tools other than those provided or recommended in these instructions.
4. Please do not throw away any of the packaging or the instruction until you have checked all the components and hardware and the furniture is fully assembled. Please ensure that the packaging is disposed of in a safe environmentally friendly way.
5. Assemble all components loosely until advised to tighten. Depending on use, it may be necessary to tighten the components from time to time, so please save tools that have been provided.
6. Please keep all fitting out of reach of children.

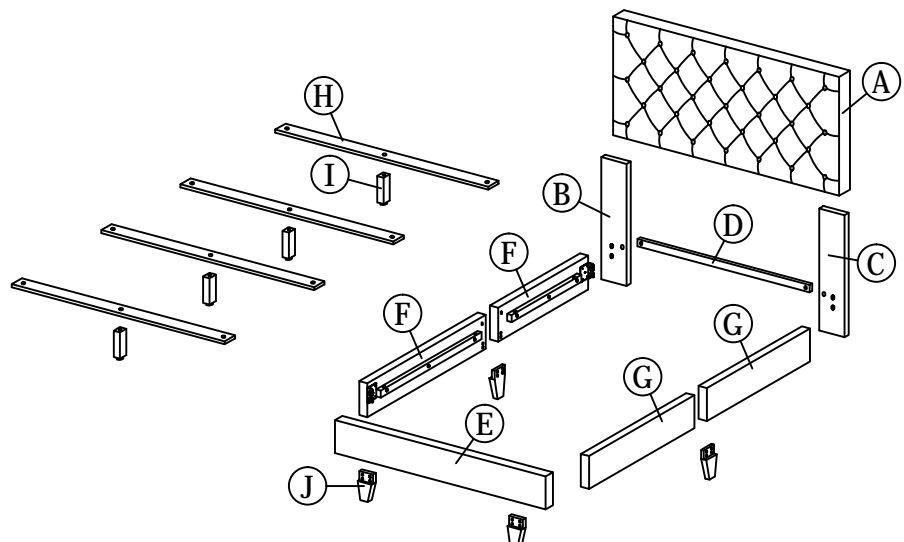


Hardware:

1		JCBC BOLT M6 x 20mm	4 PCS
2		JCBC BOLT M6 x 30mm	16 PCS
3		JCBC BOLT M6 x 35mm	12 PCS
4		JCBB BOLT M8 x 50mm	6 PCS
5		SPRING WASHER M6	20 PCS
6		FLAT WASHER M6	20 PCS
7		SPRING WASHER M8	6 PCS
8		FLAT WASHER M8	6 PCS
9		ALLEN KEY (BALL SHAPE) M4	1 PC
10		ALLEN KEY (BALL SHAPE) M5	1 PC
11		SHEET METAL (VMB 3076)	2 PCS

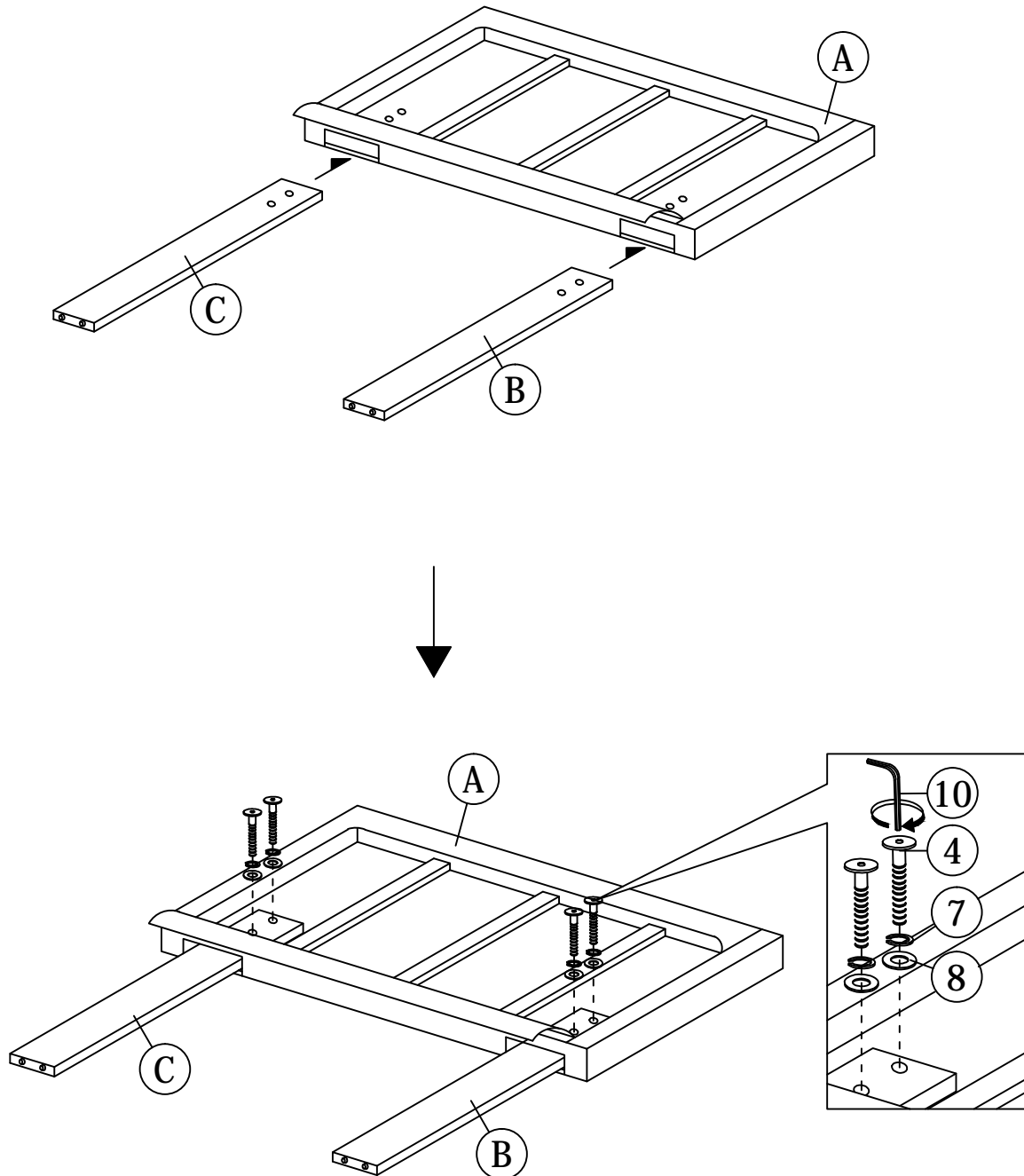
Component:





A.	HEADBOARD	x 1
B.	HEADBOARD LEG (L)	x 1
C.	HEADBOARD LEG (R)	x 1
D.	HEADBOARD SUPPORT RAIL	x 1
E.	FOOTBOARD	x 1
F.	SIDE RAIL (L)	x 2
G.	SIDE RAIL (R)	x 2
H.	CENTER SUPPORT WOOD	x 4
I.	CENTER LEG	x 4
J.	BED LEG	x 4



STEP 1

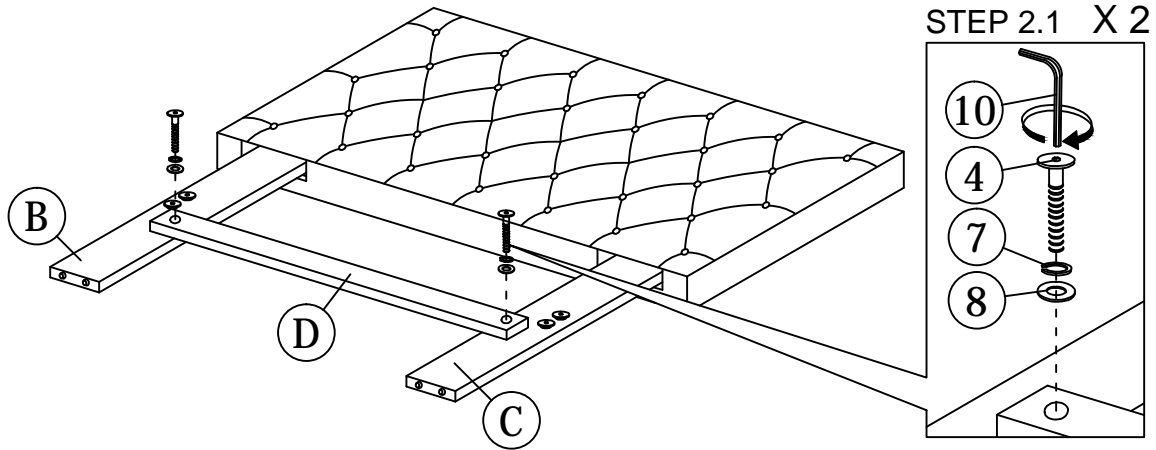
1.1 Insert and secure the **headboard leg (C)** & **headboard leg (B)** to the **headboard (A)** using hardware parts **4, 7, 8 and 10**.



			
4. JBCC BOLT M8 x 50 x 4pcs	7. SPRING WASHER M8 x 4pcs	8. FLAT WASHER M8 x 4pcs	10. ALLEN KEY (BALL SHAPE) M5 x 1pc

STEP 2

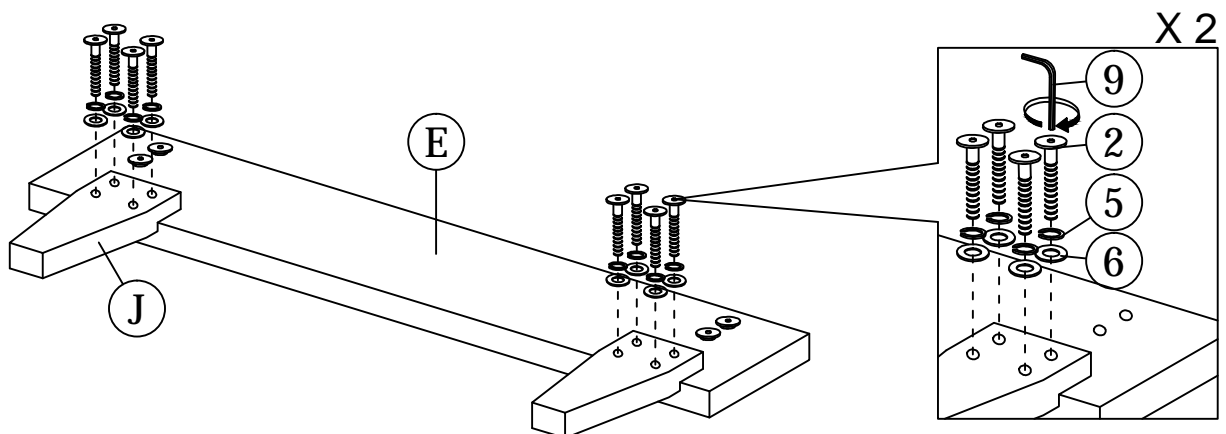
2.1 Insert and secure the **headboard support rail (D)** to the **headboard leg (B)** & **headboard leg (C)** using hardware parts **4, 7, 8 and 10**.



4. JBBC BOLT M8 x 50 x 2pcs	7. SPRING WASHER M8 x 2pcs	8. FLAT WASHER M8 x 2pcs	10. ALLEN KEY (BALL SHAPE) M5 x 1pc

STEP 3

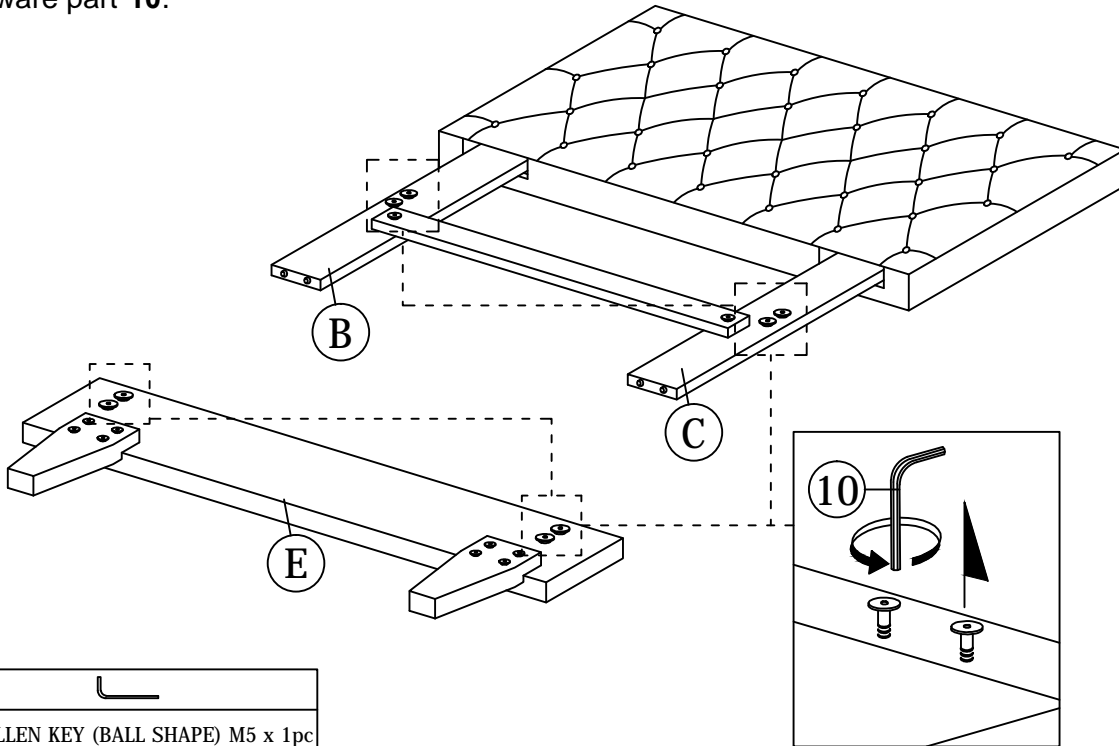
3.1 Insert and secure the **bed leg (J)** to the **footboard (E)** using hardware parts **2, 5, 6 and 9**.



2. JBBC BOLT M6 x 30 x 8pcs	5. SPRING WASHER M6 x 8pcs	6. FLAT WASHER M6 x 8pcs	9. ALLEN KEY (BALL SHAPE) M4 x 1pc

STEP 4

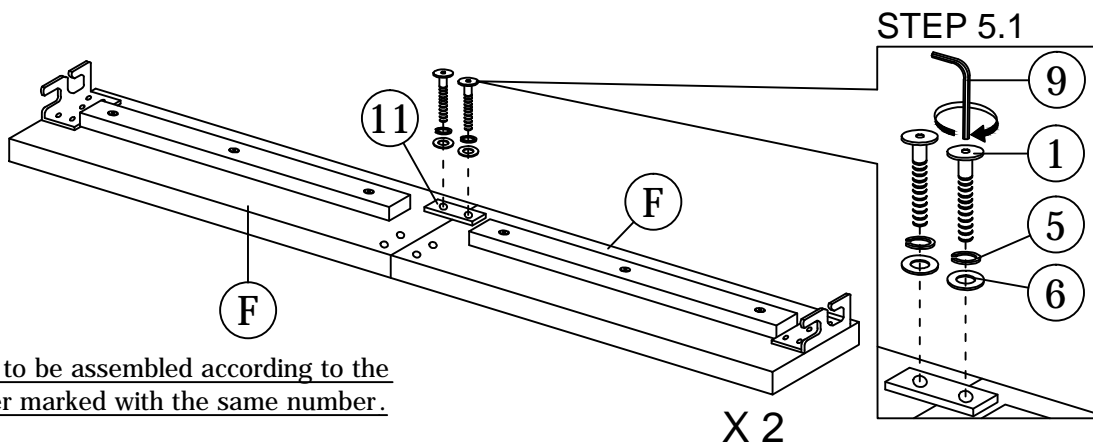
4.1 Loosen the pre-inserted bolt on the **headboard leg (B)** & **headboard (C)** and **footboard (E)** using hardware part **10**.



10. ALLEN KEY (BALL SHAPE) M5 x 1pc

STEP 5

5.1 Insert and secure the **side rail (F)** to the **side rail (F)** using hardware part **1, 5, 6, 9** and **11**. Repeat the same step for the other side of **side rail (G)**.



Need to be assembled according to the sticker marked with the same number.

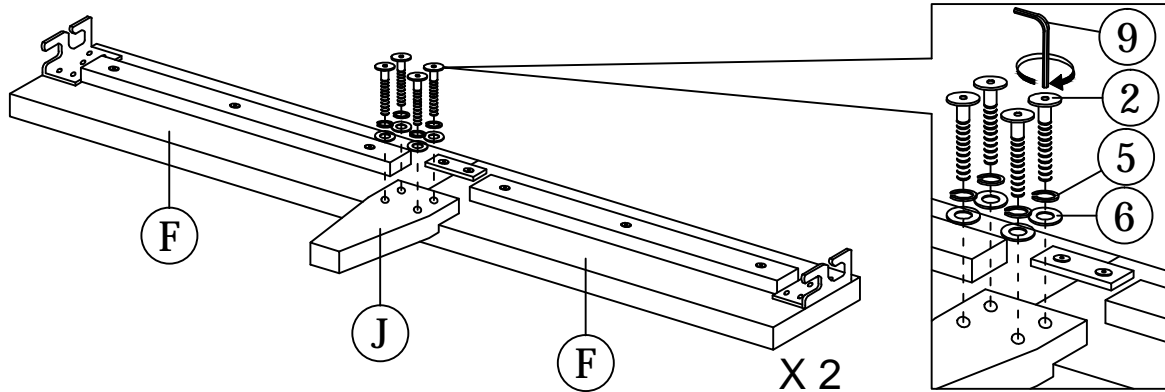
X 2

1. JCBC BOLT M6 x 20 x 4pcs	5. SPRING WASHER M6 x 4pcs	6. FLAT WASHER M6 x 4pcs	9. ALLEN KEY (BALL SHAPE) M4 x 1pc

11. SHEET METAL (VMB 3076) x 2pcs

STEP 6

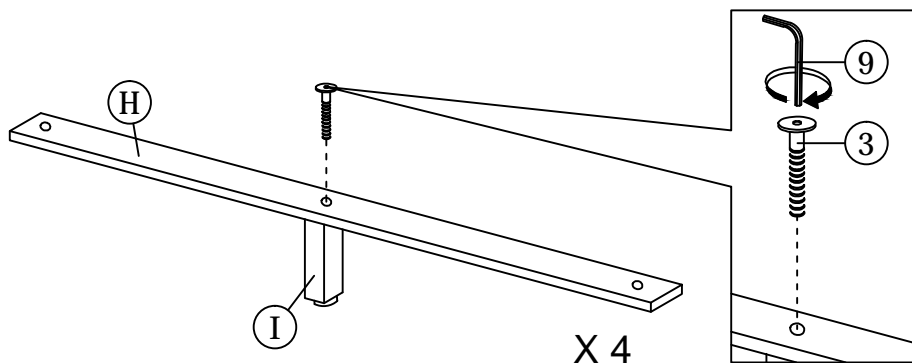
6.1 Insert and secure the **bed leg (J)** to the **side rail (F)** using hardware parts **2, 5, 6 and 9**. Repeat the same step for the other side of **side rail (G)**.



2. JCBC BOLT M6 x 30 x 8pcs	5. SPRING WASHER M6 x 8pcs	6. FLAT WASHER M6 x 8pcs	9. ALLEN KEY (BALL SHAPE) M4 x 1pc

STEP 7

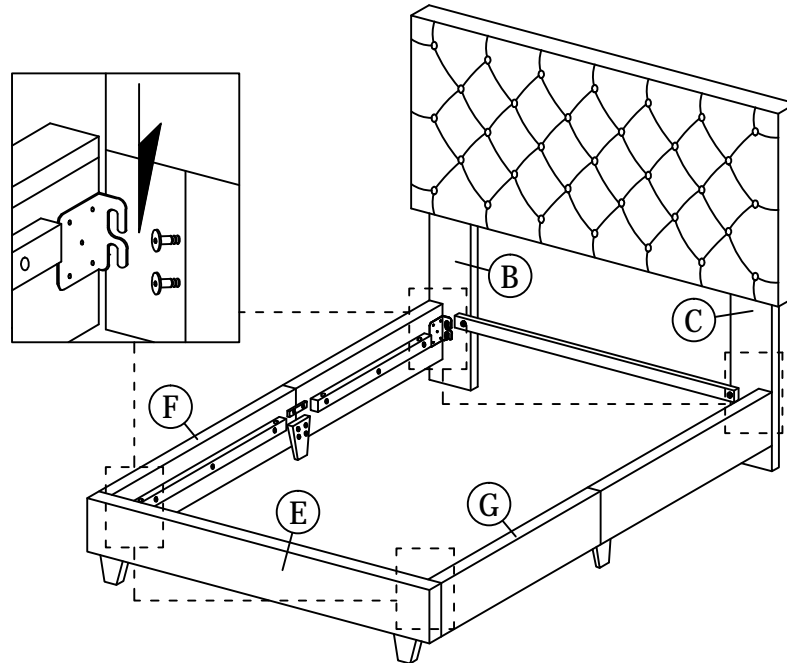
7.1 Insert and secure the **center leg (I)** to the **center support wood (H)** using hardware parts **3 and 9**.



3. JCBC BOLT M6 x 35 x 4pcs	9. ALLEN KEY (BALL SHAPE) M4 x 1pc

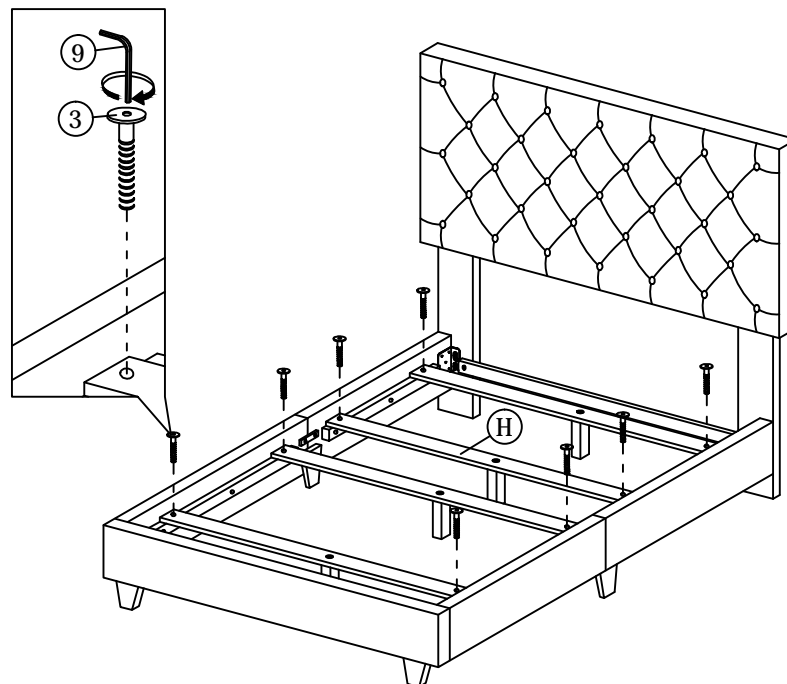
STEP 8



8.1 Attach the side rails (F) & side rail (G) to the headboard leg (B), headboard leg (C) & footboard (E).



STEP 9

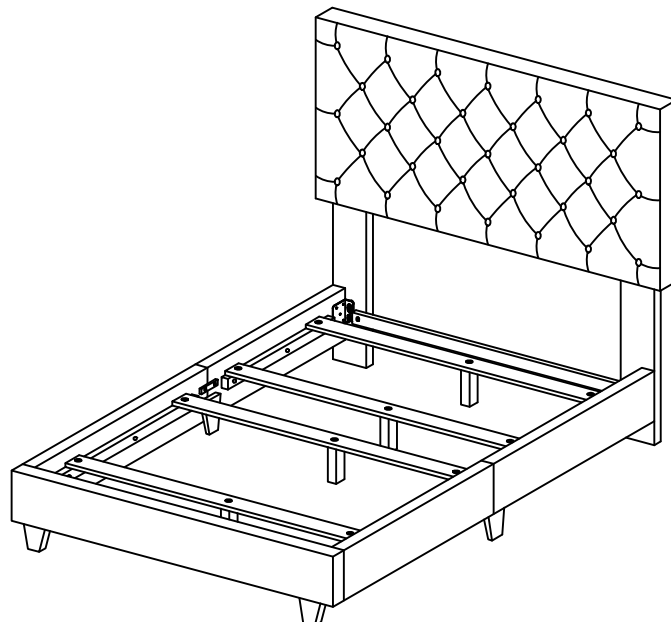
9.1 Insert and secure the **center support wood (H)** to the **side rail (F)** & **side rail (G)** using hardware parts **3** and **9**.



	
3. JCBC BOLT M6 x 35 x 8pcs	9. ALLEN KEY (BALL SHAPE) M4 x 1pc

STEP 10

10.1 Carefully position the assembled bed to the desired location by four adults.



Assembly is complete. The bed is ready to use now!

NOTE: Hardware may loosen over time. Periodically check that all connections are tight.