

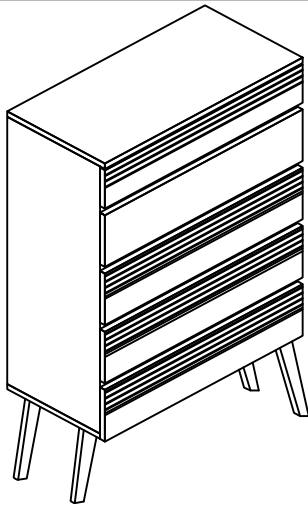
# MOD-6072 CHEST OF DRAWERS







Thank you for purchasing the **MODWAY CHEST OF DRAWERS!**

Before you start, here are some helpful advice:

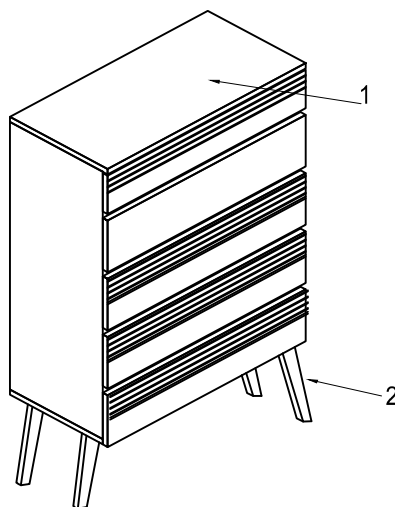
1. We suggest you spend a short time reading through this leaflet and then follow the simple step by step instructions.
2. Owing to the size and weight of the Chest of Drawers, we recommend that it is assembled by two adults, on a carpeted or padded area, in the room that it is intended for. Approximate assembly time: 30 minutes.
3. Please do not use any tools other than those provided or recommended in these instructions.
4. Please do not throw away any of the packaging or the instruction until you have checked all the components and hardware and the furniture is fully assembled. Please ensure that the packaging is disposed of in a safe environmentally friendly way.
5. Assemble all components loosely until advised to tighten. Depending on use, it may be necessary to tighten the components from time to time, so please save the tools that have been provided.
6. Please keep all fitting out of reach of children.



Hardware:

A		JCBC SCREW	M 6 x 60	8 pcs
B		SPRING WASHER		8 pcs
C		FLAT WASHER		8 pcs
D		ALLEN KEY	M 4	1 pc

Component:



1 Chest x1

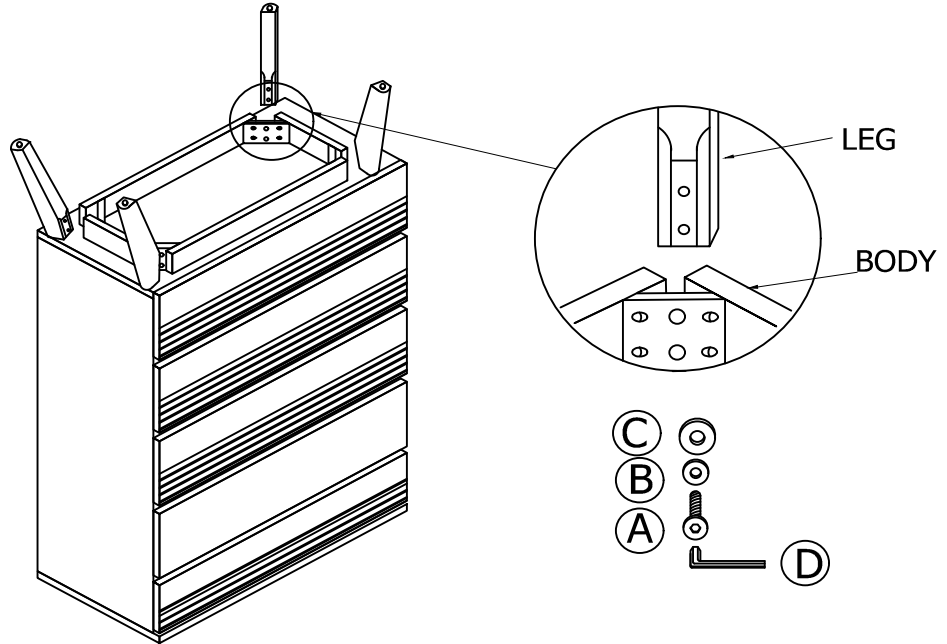
2 Leg x4

# MOD-6072 CHEST OF DRAWERS



## STEP 1

Attach 1 piece **Leg (2)** to the **Chest (1)** as arrow shown, screw with 1 piece of **JCBC Screw (A)**, 1 piece **Spring Washer (B)** and 1 piece **Flat Washer (C)**, tighten with **Allen Key (D)**. Repeat the same steps to secure the other **Leg (2)**.



AX8	BX8	CX8	DX8

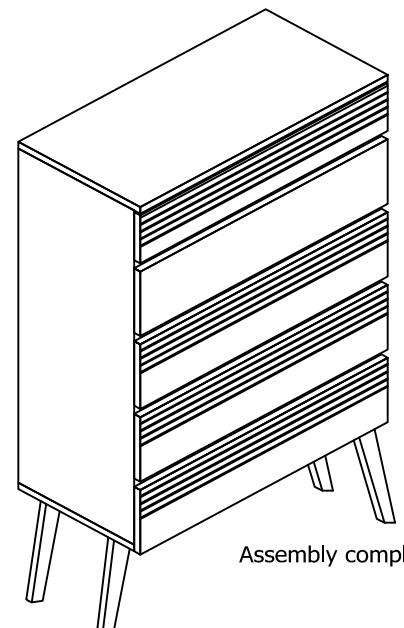
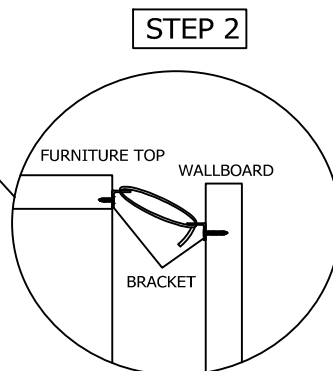
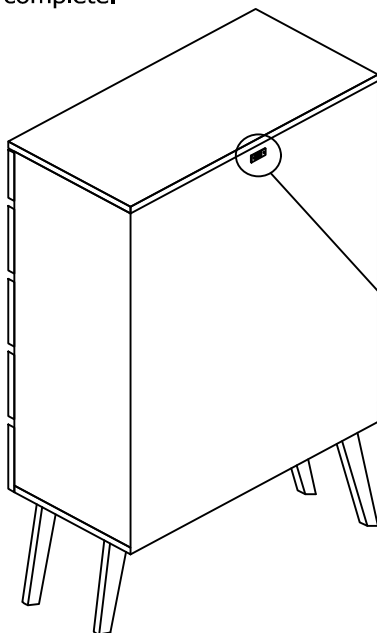
Hardware & Tool required

## STEP 2

Carefully turn up the assembled **Chest (1)**. Then attach **Anti Tipping** to the wallboard and Furniture top as shown.

## STEP 3

Assembly is complete.



Assembly complete.