

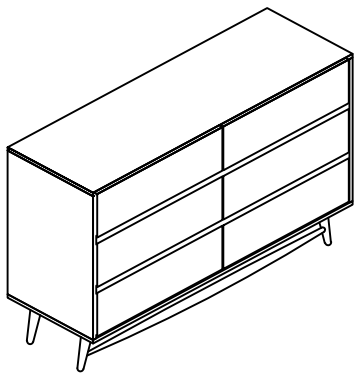
# MOD-6066 DRESSER






Thank you for purchasing the **MODWAY DRESSER!**

Before you start, here are some helpful advice:

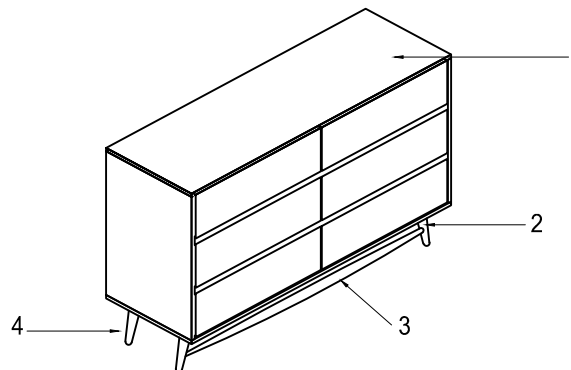
1. We suggest you spend a short time reading through this leaflet and then follow the simple step by step instructions.
2. Owing to the size and weight of the Dresser, we recommend that it is assembled by two adults, on a carpeted or padded area, in the room that it is intended for. Approximate assembly time: 30 minutes.
3. Please do not use any tools other than those provided or recommended in these instructions.
4. Please do not throw away any of the packaging or the instruction until you have checked all the components and hardware and the furniture is fully assembled. Please ensure that the packaging is disposed of in a safe environmentally friendly way.
5. Assemble all components loosely until advised to tighten. Depending on use, it may be necessary to tighten the components from time to time, so please save the tools that have been provided.
6. Please keep all fitting out of reach of children.



Hardware:

|   |                                                                                     |              |         |        |
|---|-------------------------------------------------------------------------------------|--------------|---------|--------|
| A |    | CSK SCREW    | M4 X 30 | 12 pcs |
| B |   | CSK SCREW    | M4 X 38 | 2 pcs  |
| C |  | ANTI-TIPPING |         | 1 pc   |

Component:



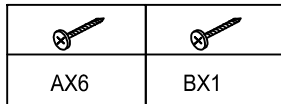
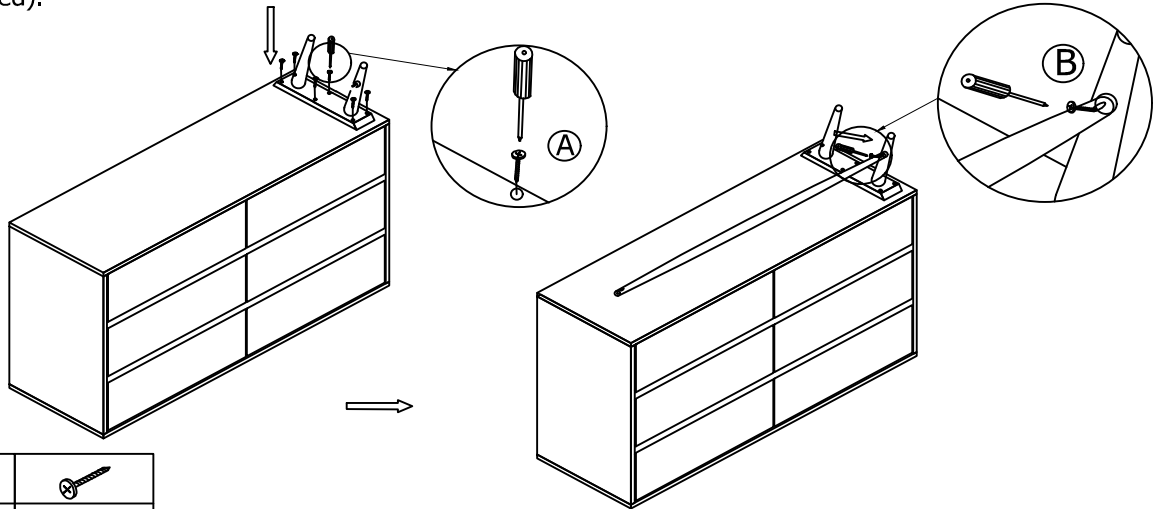
|   |            |    |   |           |    |
|---|------------|----|---|-----------|----|
| 1 | Dresser    | x1 | 2 | Leg Right | x1 |
| 3 | Center Leg | x1 | 4 | Leg Left  | x1 |

# MOD-6066 DRESSER



## STEP 1

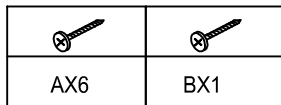
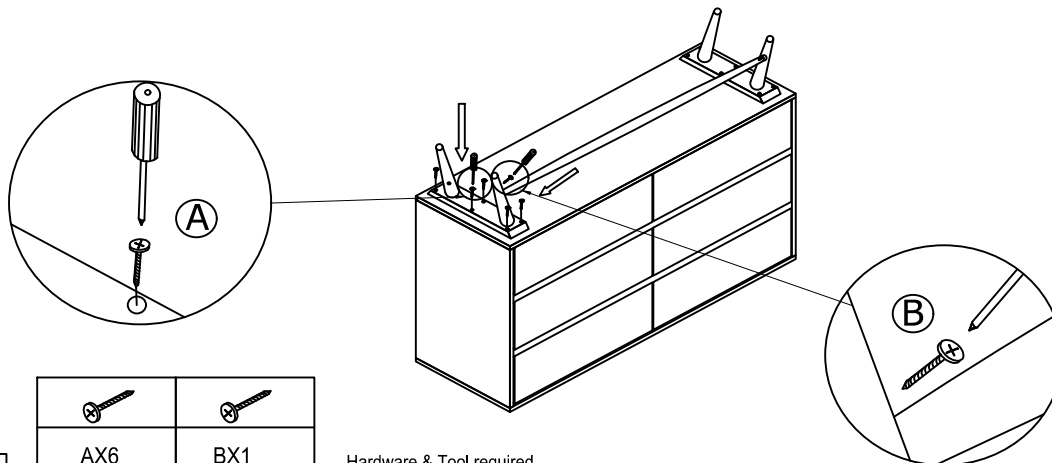
Attach **Leg Right (2)** to the **Dresser (1)** as arrow shown, screw with 6 pieces of **Screw (A)**, tighten with Philips head screwdriver (not included). Then attach **Center Leg (3)** as arrow shown, using **Screw (B)**, tighten with Philips head screwdriver (not included).



Hardware & Tool required

## STEP 2

Repeat the same procedure to secure **Leg Left (4)**. After that, fix the **Center Leg (3)** to connect with the **Leg Left (4)** as arrow shown, screw using **Screw (B)** tighten using Philips head screwdriver (not included).



Hardware & Tool required

## STEP 3

Carefully turn up the assembled **Dresser (1)**. Then attach **Anti Tipping (C)** to the wallboard and Furniture top as shown.

## STEP 4

Assembly is complete.

