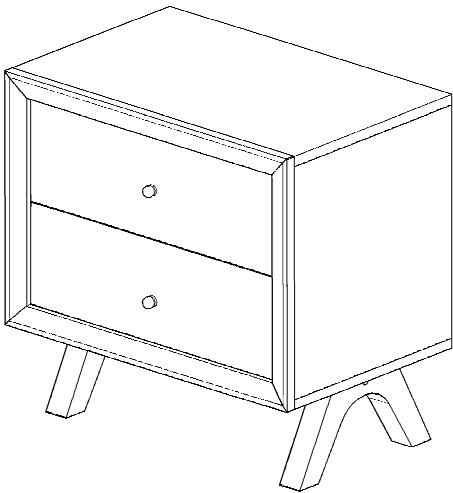


Thank you for purchasing the MODWAY NIGHT STAND !

Before you start, here is some helpful advice:

1. We suggest you spend a short time reading through this leaflet and then follow the simple step by step instructions.
2. Owing to the size and weight of the nightstand, we recommend that it is assembled by two adults, on a carpeted or padded area, in the room that it is intended for. Approx assembly time: 20 minutes.
3. Please do not use any tools other than those provided or recommended in these instructions.
4. Please do not throw away any of the packaging or the instruction until you have checked all the components and hardware and the furniture is fully assembled.
5. Assemble all components loosely until advised to tighten. Depending on use, it may be necessary to tighten the components from time to time, so please save the tools that has been provided.
6. Please keep all small pieces out of reach of children.

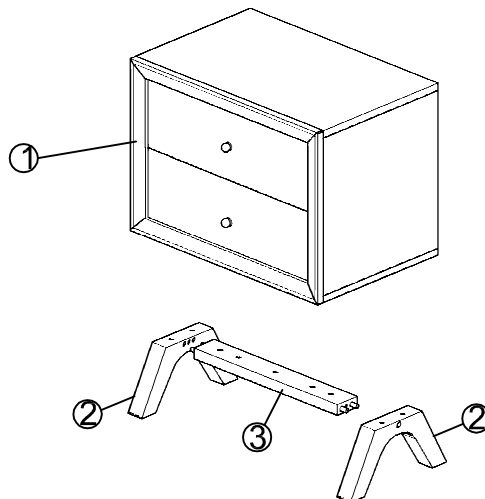


Hardware:

A		JCBC BOLT M6 x 70	6 PCS
B		M4 ALLEN KEY	1 PC
C		WOOD DOWELL M10 X 40	8 PCS
D		BARREL NUT	2 PCS
E		WOOD SCREW M4 X 50mm	3 PCS
F		KNOB HANDLE	2 PCS
G		KNOB HANDLE SCREW	2 PCS

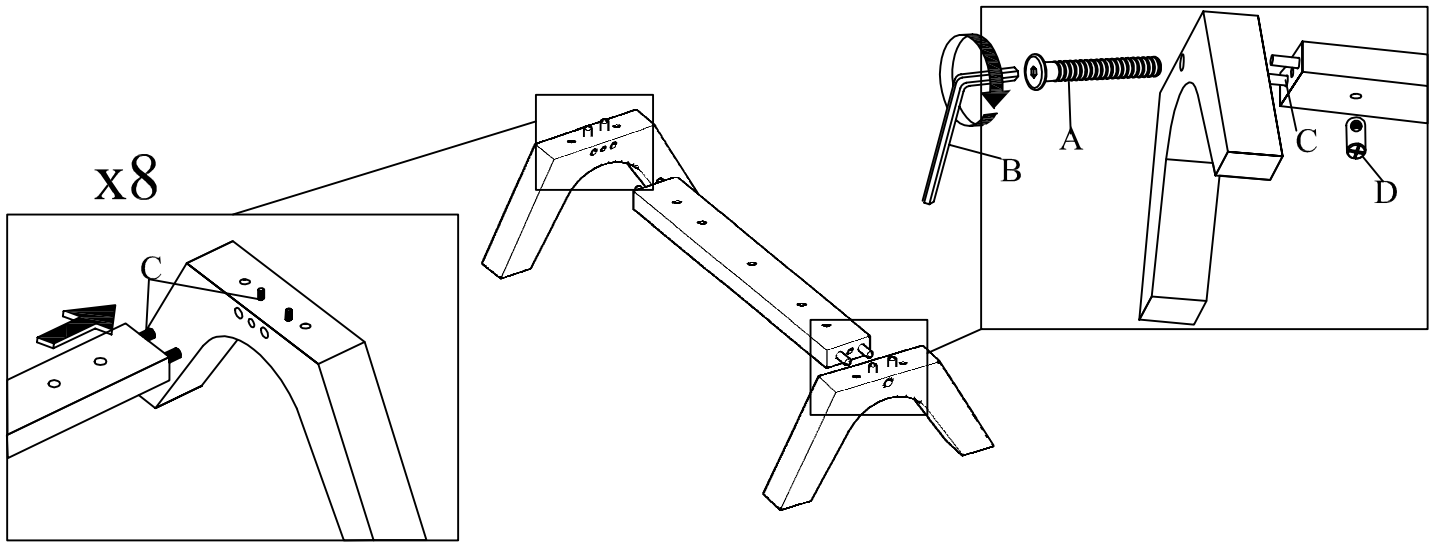
Component :

- 1- DRAWER x 1
- 2- DRAWER LEG x 2
- 3- CENTER SUPPORT x 1



STEP 1:

Place Centre support (3) and Drawer Leg (2) on a carpeted or padded area as shown. Attach Drawer Leg(2) into Drawer (1) by inserting JCBC 70mm Bolt (A) into the predrill holes and Barrel nut(D) at centre support(3) as per diagram shown . Tighten with M4 Allen Key (B).

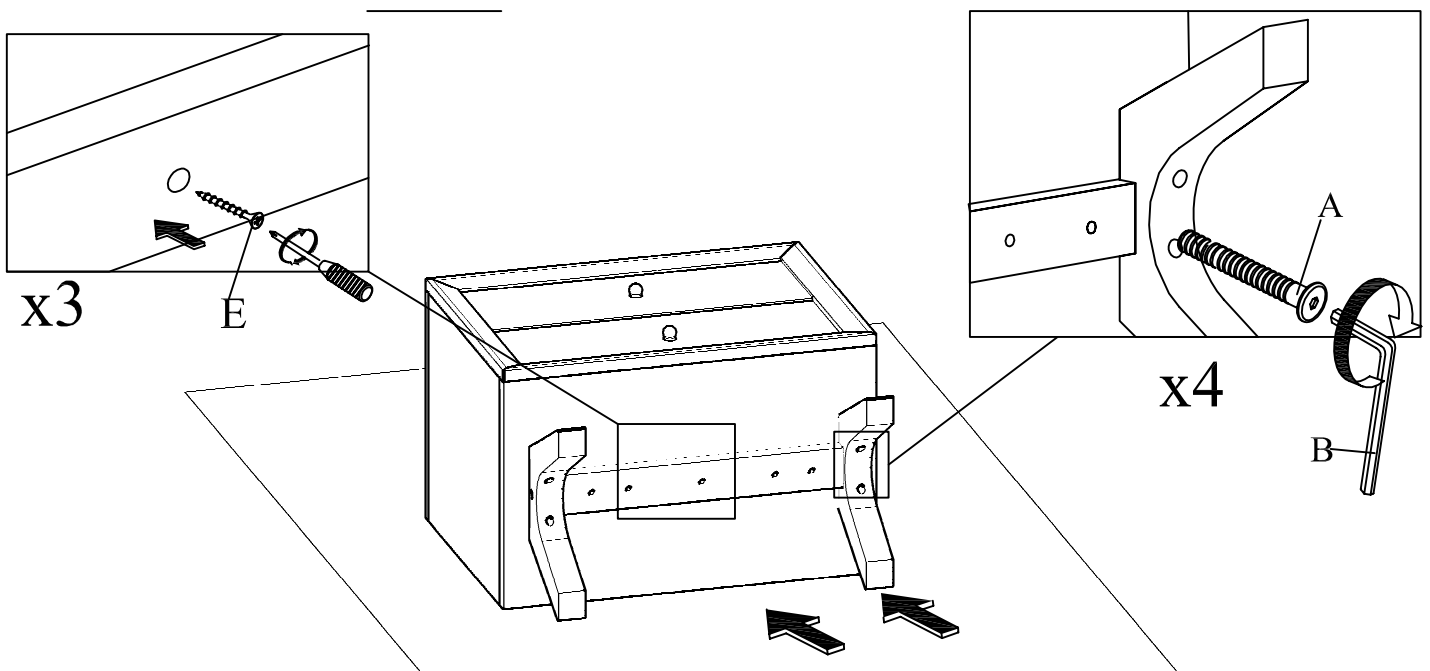


Ax2	Bx1	Cx8	Dx2

Hardware & Tool required

STEP 2:

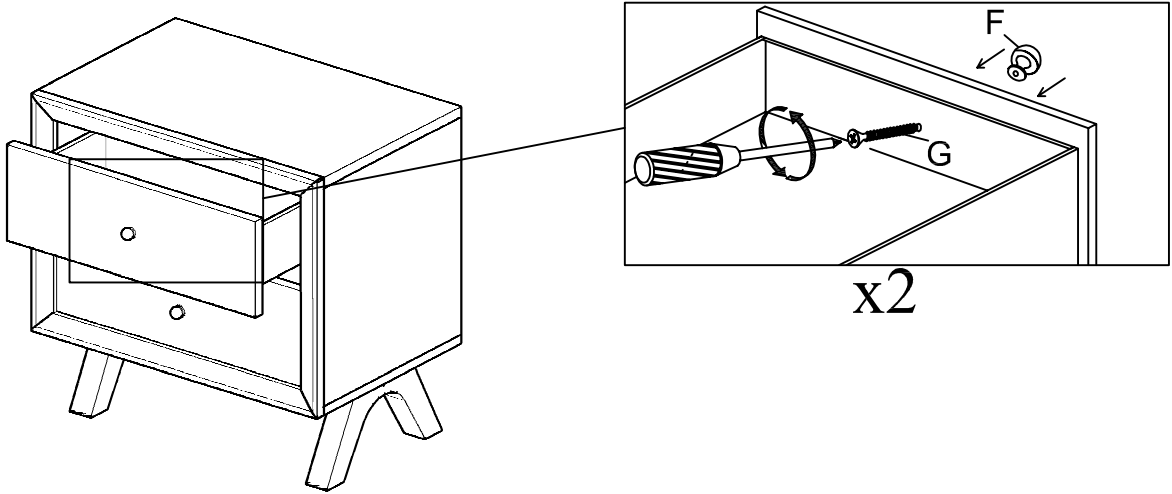
Place Drawer (1) and Drawer Leg (2) on a carpeted or padded area as shown. Attach Drawer Leg(2) into Drawer (1) by inserting CSK SCREW M4 X 50MM (E) and JCBC 70mm Bolt (A) into the predrill holes at Drawer (1) . Tighten with M4 Allen Key (B).

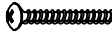



Ax4	Ex3

Hardware & Tool required

STEP 3:
 Attach the Handle Knod (F) to the predrilled hole at center of Drawer (1). Place the Knob screw (G) and tighten by using screwdriver (Not provided).



	
Gx2	Fx2

Hardware & Tool required