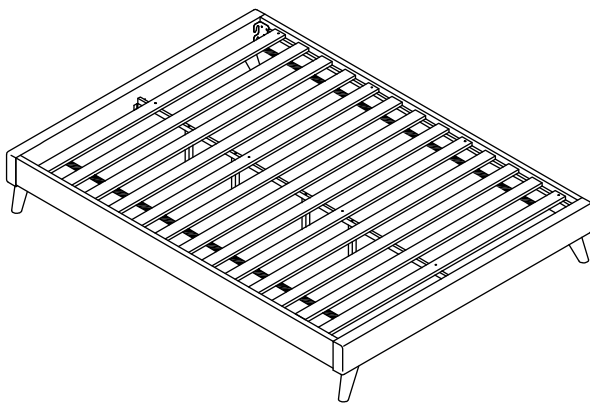










Thank you for purchasing the **MOD-5359/5360/5361/5362 FULL/QUEEN BED FRAME**

Before you start, here are some helpful advice:

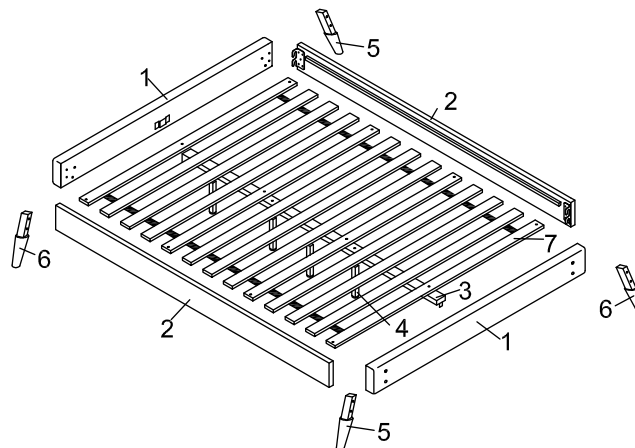
1. We suggest that you spend a short time reading through this leaflet and then follow the simple step-by-step instructions.
2. Owing to the size and weight of the bed frame, we recommend that it is assembled by two adults, on a carpeted or padded area, in the room that it is intended for. Approximate assembly time: 45 minutes.
3. Please do not use any tools other than those provided or recommended in these instructions.
4. Please do not throw away any of the packaging or the instruction until you have checked all the components and hardware and the furniture is fully assembled. Please ensure that the packaging is disposed of in a safe environmentally friendly way.
5. Assemble all components loosely until advised to tighten. Depending on use, it may be necessary to tighten the components from time to time, so please save the tools that have been provided.
6. Please keep all fitting out of reach of children.



Hardware list:

A		Bolt M8 x 20mm	x8
B		Bolt M6 x 50mm	x8
C		Spring Washer M6	x8
D		Flat Washer M6	x8
E		Screw M4 x 32mm	x14
F		M4 Allen Key	x1
G		M5 Allen Key	x1
		PHILLIPS HEAD SCREW DRIVER NOT PROVIDED	

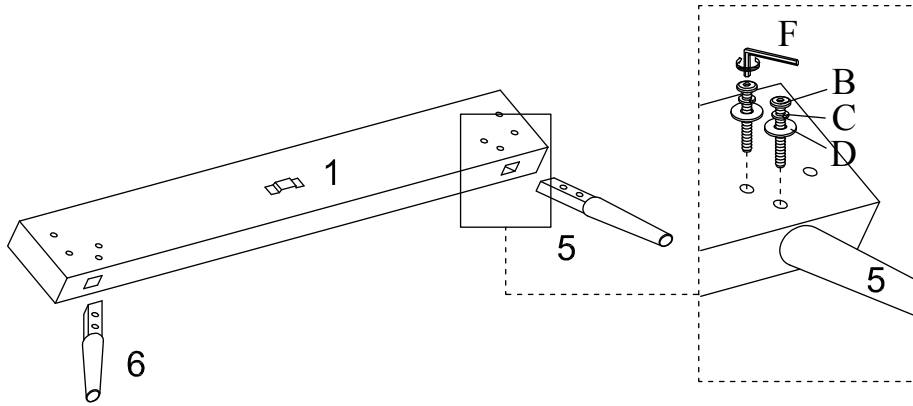
Components:



1	Short Board	x2	2	Long Board	x2	3	Center Rail	x1	4	Support Leg	x4
5	Leg I	x2	6	Leg II	x2	7	Roll Slats	x13			

STEP 1

Put 1 piece of **Short Board (1)** upside down on a carpeted or padded area by two adults. Insert 1 piece of **Leg II (6)** and 1 piece of **Leg I (5)** into the **Short Board (1)** as shown. Please note the numbers shown on **Legs** and **Short Board** must match. Secure them by using 4 pieces of **Bolt (B)**, 4 pieces **Spring Washer (C)** and 4 pieces of **Flat Washer (D)**. Use **Allen Wrench (F)** to tighten the **Bolts (B)** clockwise until secure. Repeat the same steps for the remaining 1 piece of **Short Board (1)**, 1 piece of **Leg I (5)** and 1 piece of **Leg II (6)**.

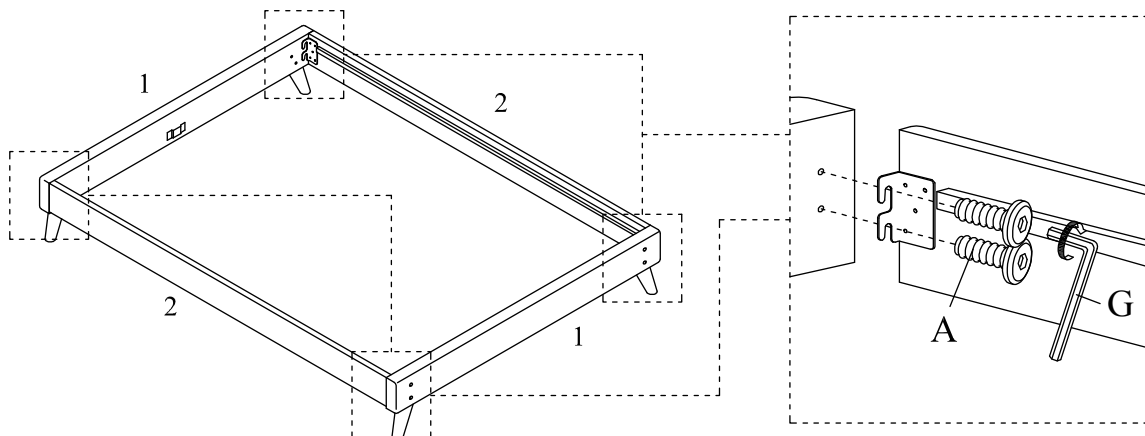


B x 8	C x 8	D x 8	F x 1

Hardware & Tool required

STEP 2

Place 1 piece of **Long Board (2)** to the assembled 2 pieces **Short Board (1)** by two adults. Attach them by using 4 pieces of **Bolt (A)** as shown. Use **Allen Wrench (G)** to tighten the **Bolts (A)** clockwise until secure. Repeat the same steps for the remaining 1 piece of **Long Board (1)**.

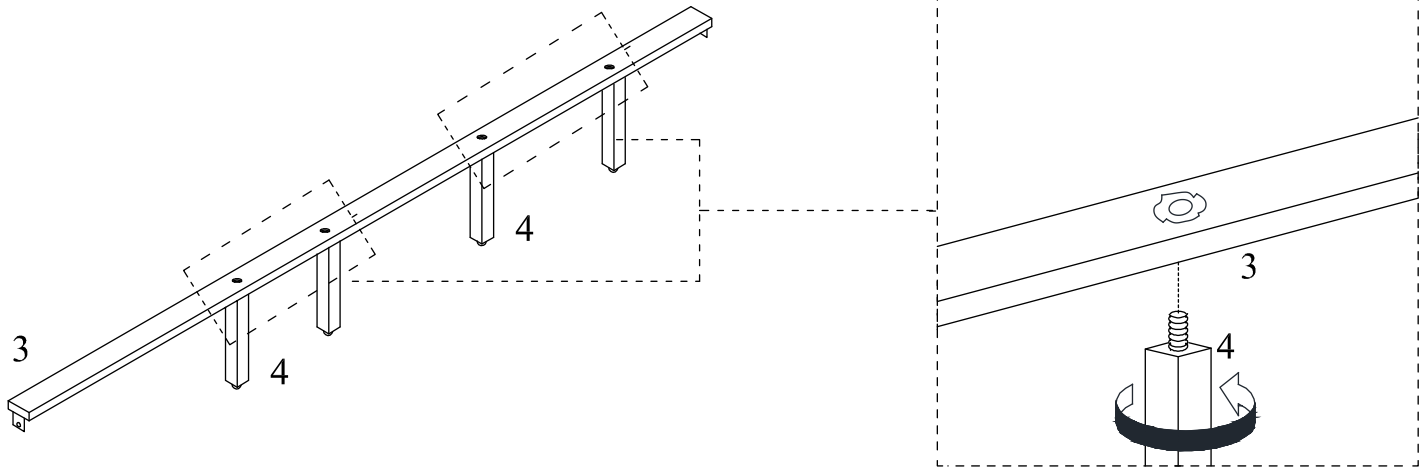


A x 8	G x 1

Hardware & Tool required

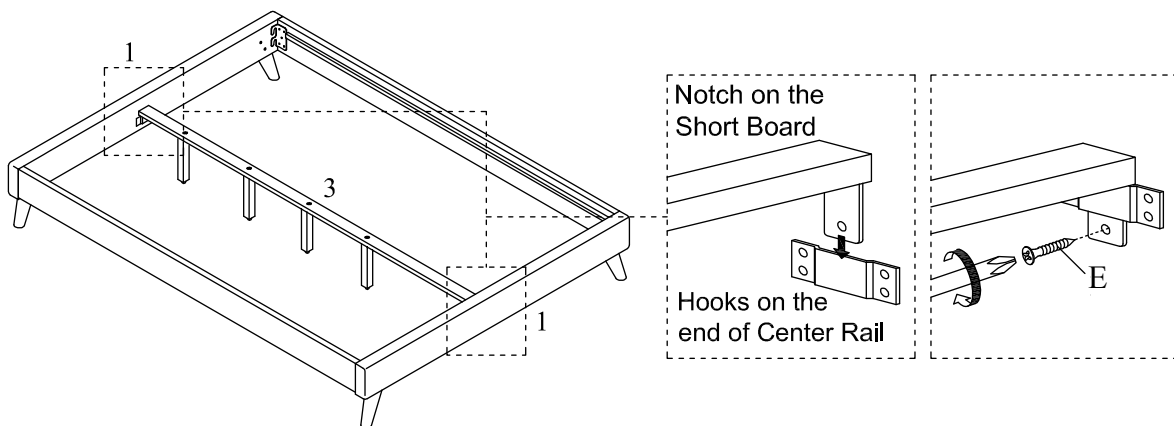
STEP 3

Secure 4 pieces of **Support Leg (4)** to the **Center Rail (3)** with pre-set T-nut as shown. Tighten the **Support leg (4)** clockwise until secure.



STEP 4

Insert **Center Rail (3)** to the bracket (provided) on **Short Board (1)** and then secure with 1 piece **Screw (E)** per each side end. Tighten the **Screws (E)** with Phillips Head Screw Driver (not provided).



E x 2	Phillips Head Screw Driver (not provided)

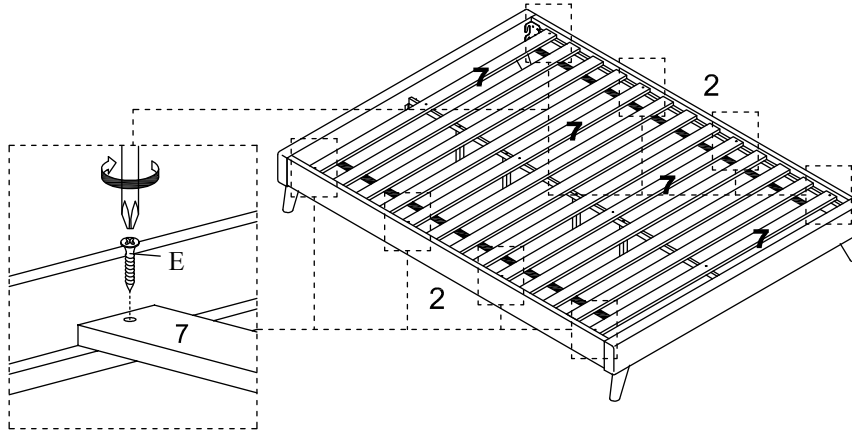
Hardware & Tool required

STEP 5

Place the **Roll Slats (7)** to the **Long Board (2)** as shown.

Secure 4 pieces of **Roll Slat (7)** which have countersink holes on each end into the **Long Board (2)** by using 8 pieces of **Screw (E)** as shown.

Tighten the **Screws (E)** with Phillips Head Screw Driver (not provided).



E x 8	Phillips Head Screw Driver (not provided)

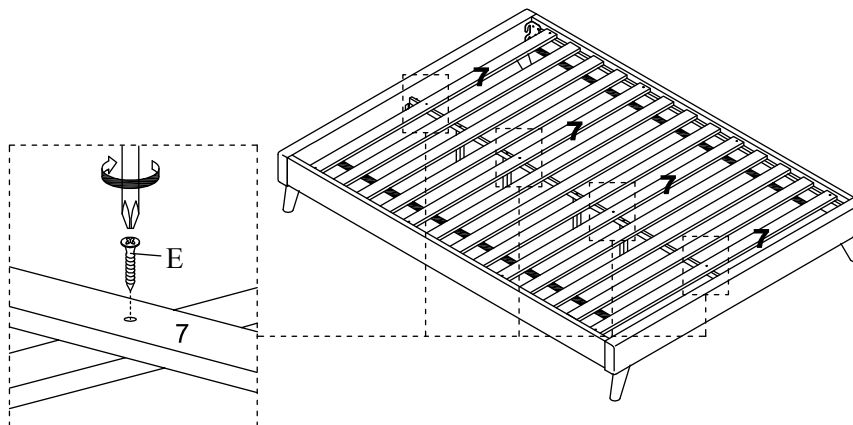
Hardware & Tool required

STEP 6

Secure 4 pieces of **Screw (E)** into the **Roll Slat (7)** on the top of **Center Rail (3)** as shown.

Tighten the **Screws (E)** with Phillips Head Screw Driver (not provided).

Attention: Please adjust the adjustable glide on the **Support Leg (4)** once the bed is unlevel.



E x 4	Phillips Head Screw Driver (not provided)

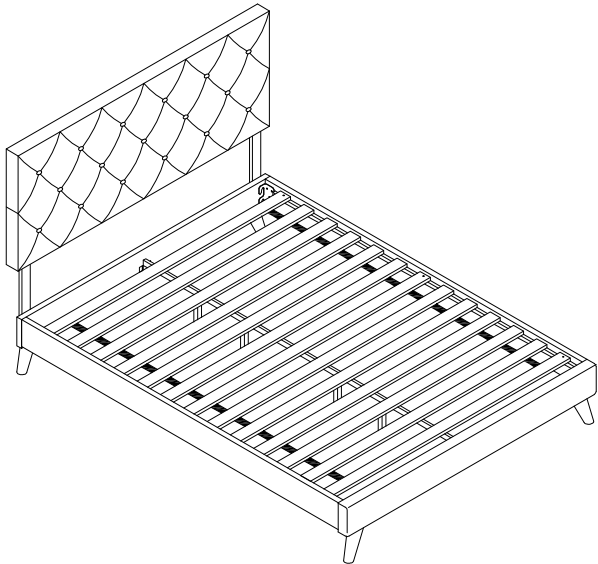
Hardware & Tool required

Assembly is complete. The bed frame is ready to use now!

NOTE: Hardware may loosen over time. Periodically check that all connections are tight.

ASSEMBLY INSTRUCTIONS

Note: This is assembly instruction for MODWAY Full/Twin/Queen/King Bed Frame **MOD5357/5358/5359/5360/5361/5362/5363/5364** to connect Headboard **MOD 5365/5366/5367/5368/5369/5370/5371/5372/5373/5374/5375/5376/5377/5378/5379/5380/5381/5382/5383/5384/5385/5386/5387/5388/5389/5390/5391/5392/5393/5394/5395/5396/5397/5398/5399/5400/5401/5402/5403/5404/5405/5406/5407/5408**.

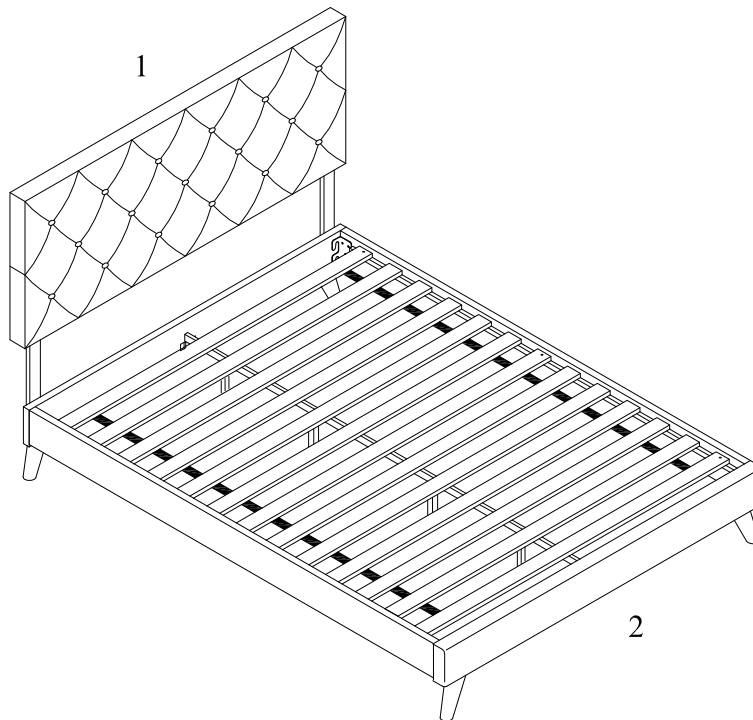


Hardware list:

A		Bolt M6 x 45mm	x4
B		Flat Washer M6	x4
C		Spring Washer M6	x4
D		M4 Allen Key	x1

Reminder: All the hardware packed in the Headboard you bought. Please use only the above hardware from Headboard Hardware Package to assemble the Bed Frame and Headboard.

Component:



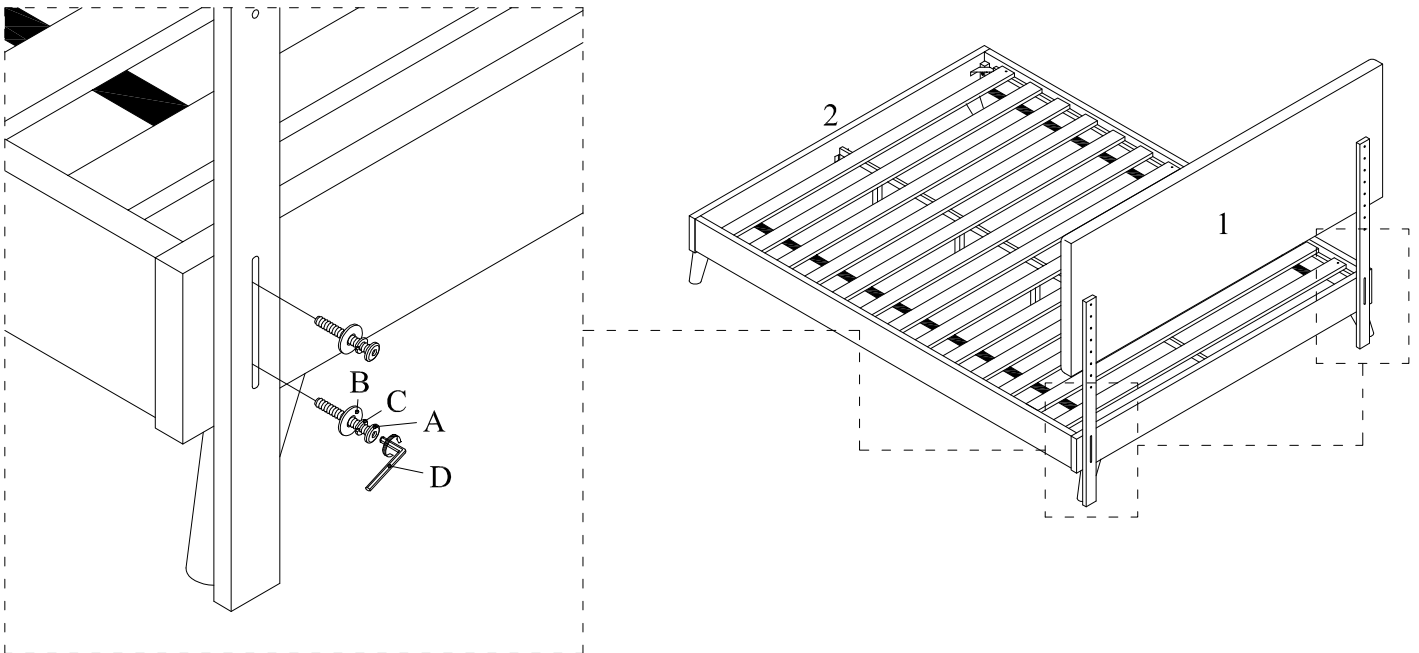
1) Headboard x1

2) Bed Frame x1

(Style may vary)

STEP 1

Attach leg of the **Headboard (1)** to the **Bed Frame (2)**. Secure each **Headboard (1)** leg by using 2x **Bolt (A)**, 2x **Spring Washer (C)** and 2x **Flat Washer (B)**, tighten with supplied **Allen Key (D)** from the back side of the **Headboard**, repeat the same procedure to secure the other side. Note: do not fully tighten nuts and bolts until all nuts and bolts are partially tightened.



A x 4	B x 4	C x 4	D x 1

Hardware & Tool required

STEP 2:

Carefully position the assembled bed to the desired location by four adults.



Assembly is complete. The headboard is ready to use now!

NOTE: Hardware may loosen over time. Periodically check that all connections are tight.