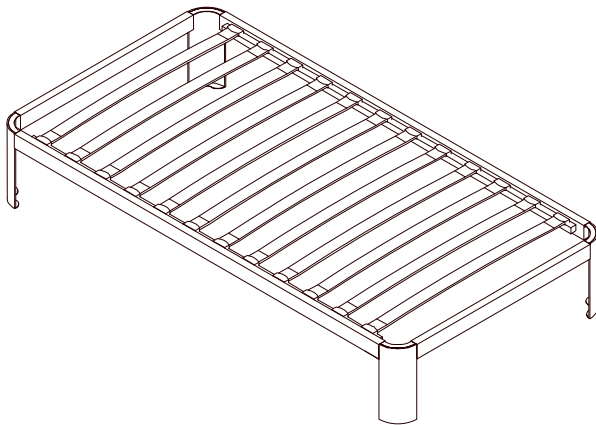





Thank you for purchasing the **MODWAY TWIN BED FRAME!**

Before you start, here is some helpful advice:

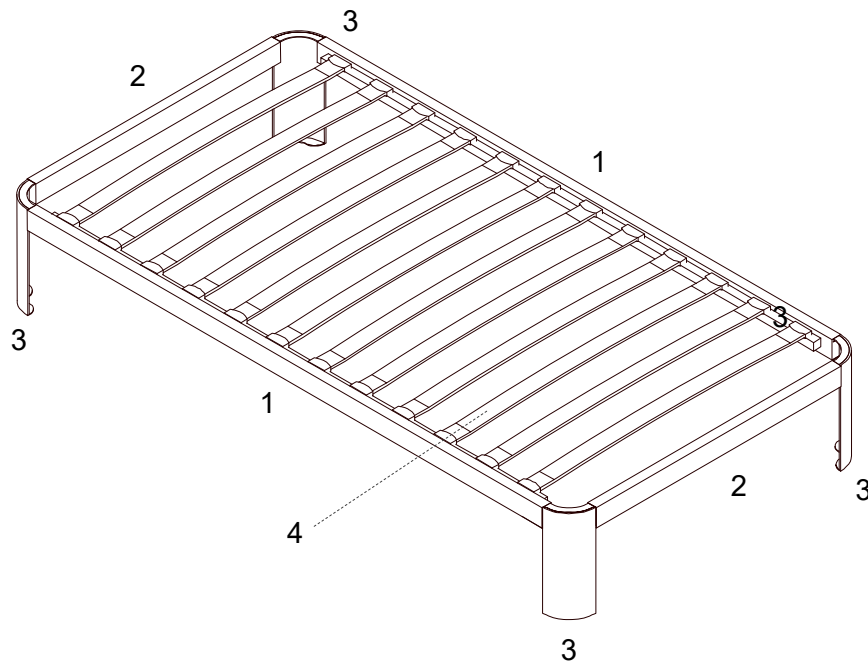
1. We suggest you spend a short time reading through this leaflet and then follow the simple step by step instructions.
2. Owing to the size and weight of the bed frame, we recommend that it is assembled by two adults, on a carpeted or padded area, in the room that it is intended for. Approx assembly time: 30 minutes.
3. Please do not use any tools other than those provided or recommended in these instructions.
4. Please do not throw away any of the packaging or the instruction until you have checked all the components and hardware and the furniture is fully assembled. Please ensure that the packaging is disposed of in a safe environmentally friendly way.
5. Assemble all components loosely until advised to tighten. Depending on use, it may be necessary to tighten the components from time to time, so please save the tools that has been provided.
6. Please keep all fitting out of reach of children.



Hardware:

A		Bolt M8x25mm	x16
B		Allen Wrench	x1
C		Side Plastic Cover	x24

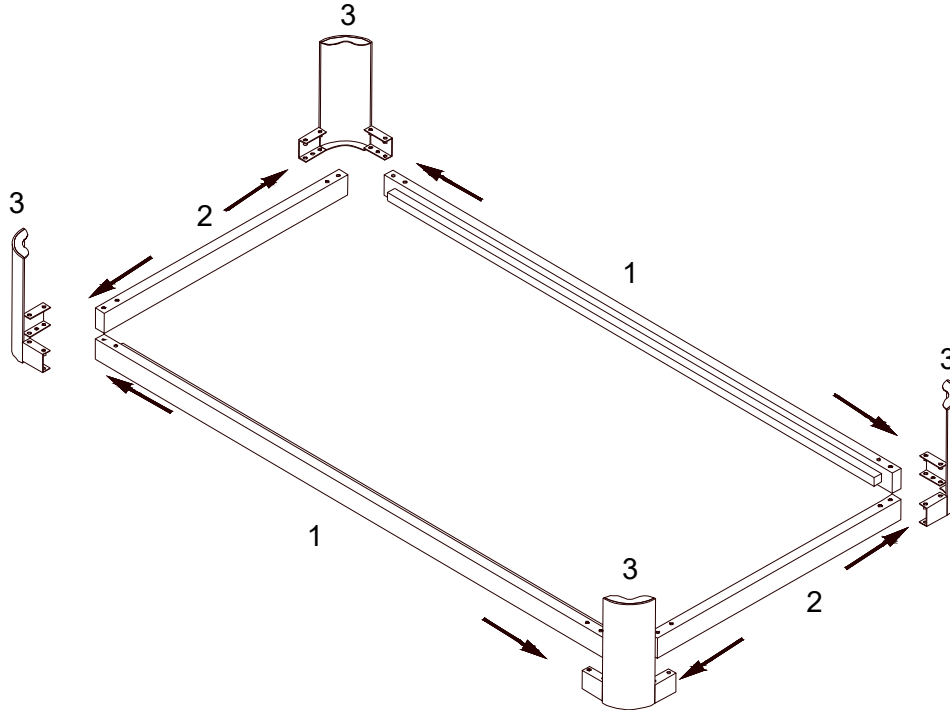
Component:



1	Long Board	x2	2	Short Board	x2
3	Leg	x4	4	Slat	x12

STEP 1:

Place **Long Boards (1)**, **Short Boards (2)** and **Legs (3)** upside down on a carpeted or padded area. Insert the end of 1 piece of **Long Board (1)** and **Short Board (2)** into 1 piece of **Leg (3)** as shown. Repeat the same steps for remaining of **Legs (3)**.

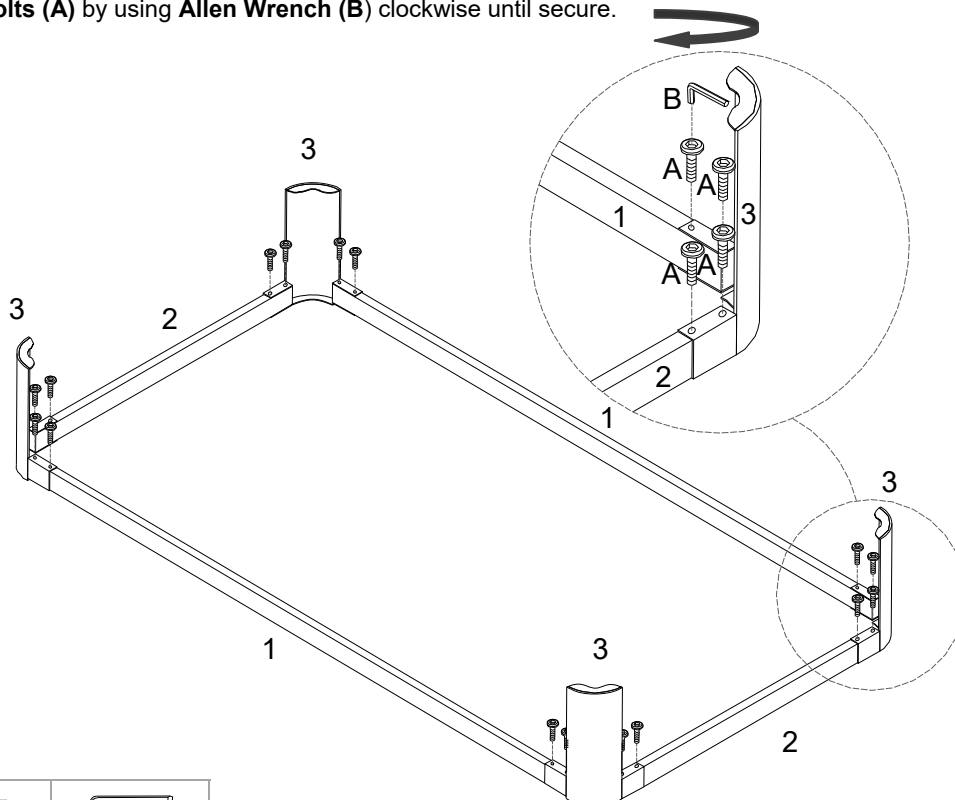


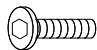

STEP 2:

Insert 4 pieces of **Bolt (A)** into the pre-dilled holes on **Leg (3)** through the pre-drilled holes on the end of **Long Board (1)** and **Short Board (2)** as shown.

Repeat the same step for remaining 3 pieces of **Legs (3)**.

Tighten all **Bolts (A)** by using **Allen Wrench (B)** clockwise until secure.



	
Ax16	Bx1

Hardware & Tool required

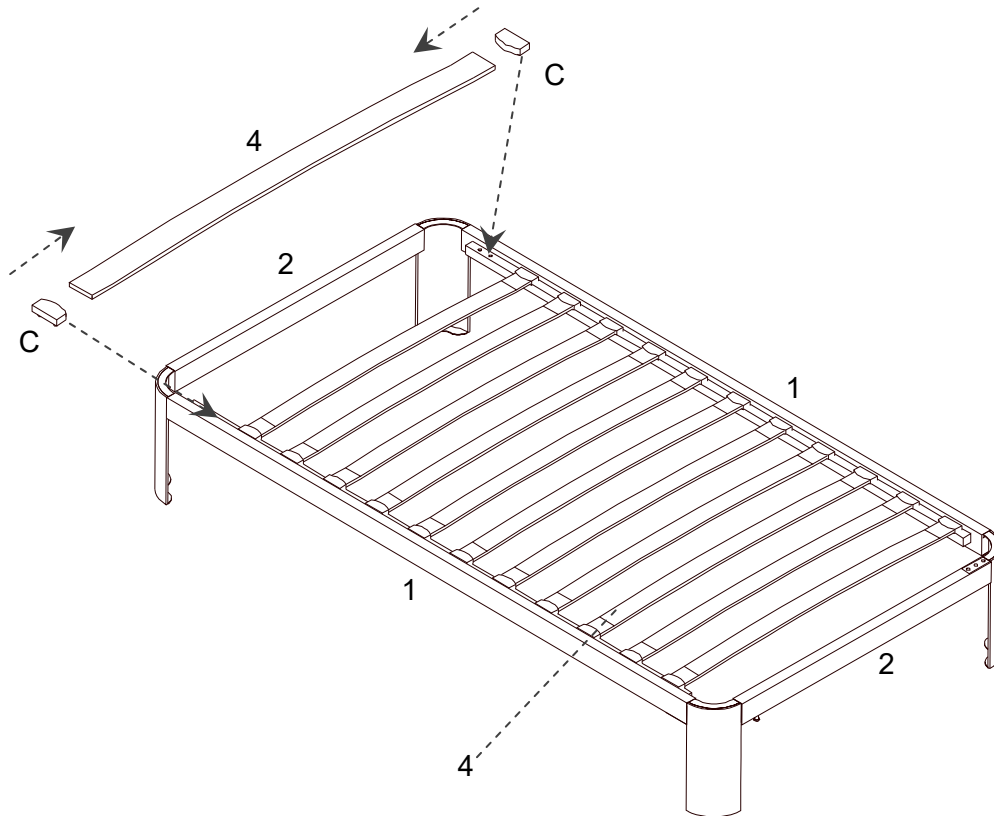
STEP 3:

Carefully turn over the assembled **Long Boards (1)**, **Short Boards (2)** and **Legs (3)**.

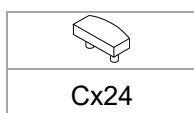
Insert 2 piece of **Side Plastic Cover (C)** into each end of **Slat (4)** as shown.

Insert the assembled **Side Plastic Covers (C)** into the corresponding holes on **Long Board (1)** as shown.

Repeat the same steps for remaining 11 pieces **Slats (4)**.



Assembly is complete. Your bed frame is ready to be enjoyed now!



Hardware & Tool required