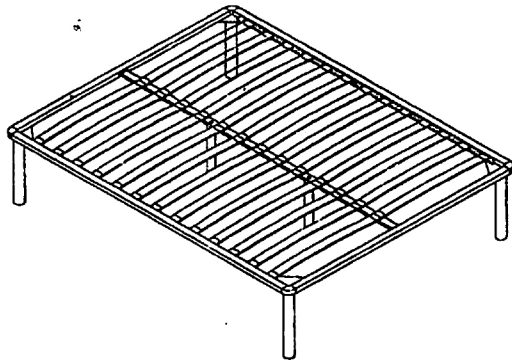



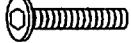
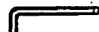
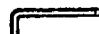




Thank you for purchasing the **MODWAY FULL/QUEEN BED FRAME!**

Before you start, here is some helpful advice:

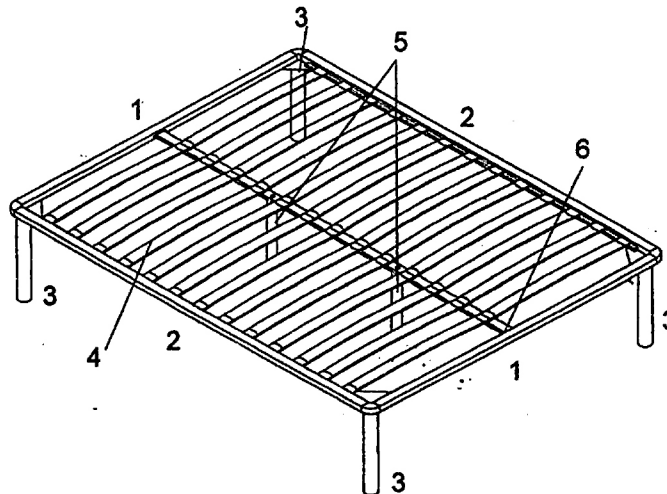
1. We suggest you spend a short time reading through this leaflet and then follow the simple step by step instructions.
2. Owing to the size and weight of the bed frame, we recommend that it is assembled by two adults, on a carpeted or padded area, in the room that it is intended for. Approx assembly time: 30 minutes.
3. Please do not use any tools other than those provided or recommended in these instructions.
4. Please do not throw away any of the packaging or the instruction until you have checked all the components and hardware and the furniture is fully assembled. Please ensure that the packaging is disposed of in a safe environmentally friendly way.
5. Assemble all components loosely until advised to tighten. Depending on use, it may be necessary to tighten the components from time to time, so please save the tools that has been provided.
6. Please keep all fitting out of reach of children.



Hardware:

A		Bolt M8x16mm	x20
B		Bolt M6x50mm	x2
C		Allen Wrench M8	x1
D		Allen Wrench M6	x1
E		Flat Washer M6	x2
F		Rubber Insert	x4
G		Side Plastic Cover	x26
H		Center Plastic Cover	x13

Component:

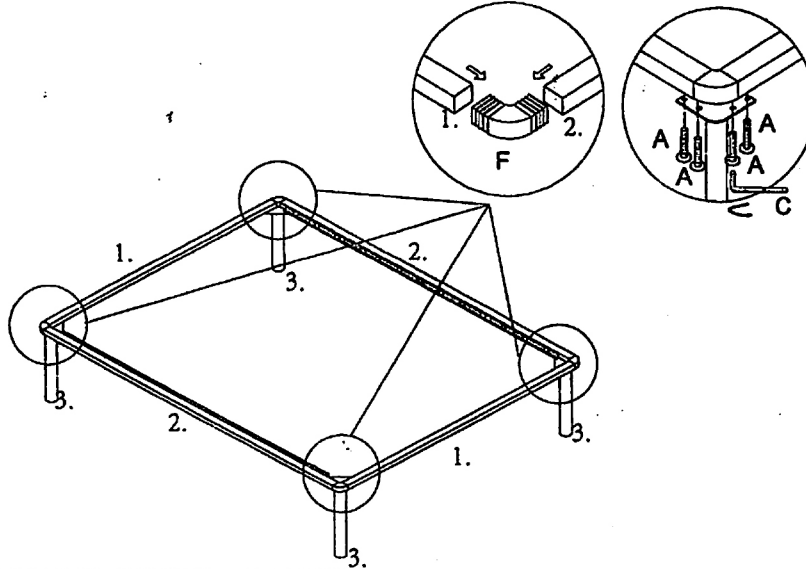


1 Short Board	x 2	2 Long Board	x2	3 Leg	x4	4 Slat	x 26
5 Support Leg	x 2	6 Stretcher	x1				

STEP 1:

Insert the end of 1 piece of Short Board (1) and Long Board (2) into 1 piece of Rubber Insert (F) as shown. Repeat the same steps for remaining of Rubber Insert (F).

Insert 4 pieces of Bolt (A) into the pre-drilled holes on Short Board (1) and Long Board (2) through the pre-drilled holes on the Leg(3) as shown.



Ax16	Cx1	Fx4

Hardware & Tool required

STEP 2:

Place Stretcher (6) to the assembled Short Board (1).

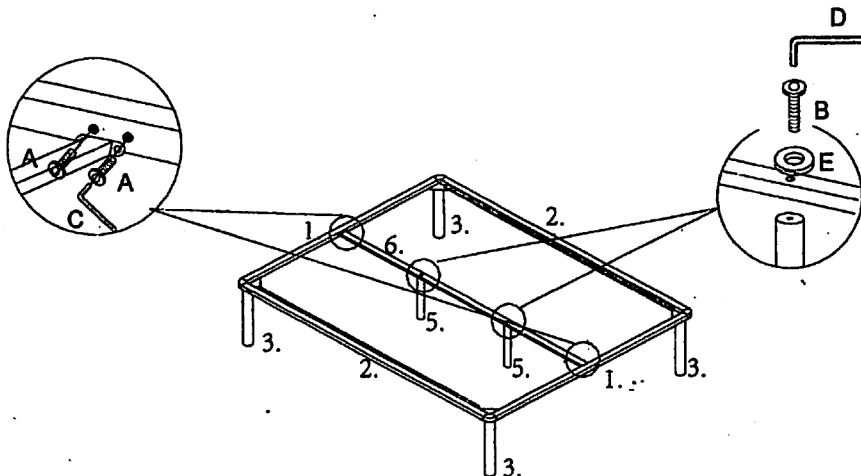
Secure each end of Stretcher (4) by using 2 pieces of Bolt (A) as shown.

Tighten Bolts (A) by using Allen Wrench (C) clockwise until secure.

Place 2 pieces of Support Leg (5) under the assembled Stretcher (4).

Secure each Support Leg (5) by using 1 piece of Bolt (B) as shown.

Tighten Bolts (B) and Flat Washer (E) by using Allen Wrench (D) until secure.

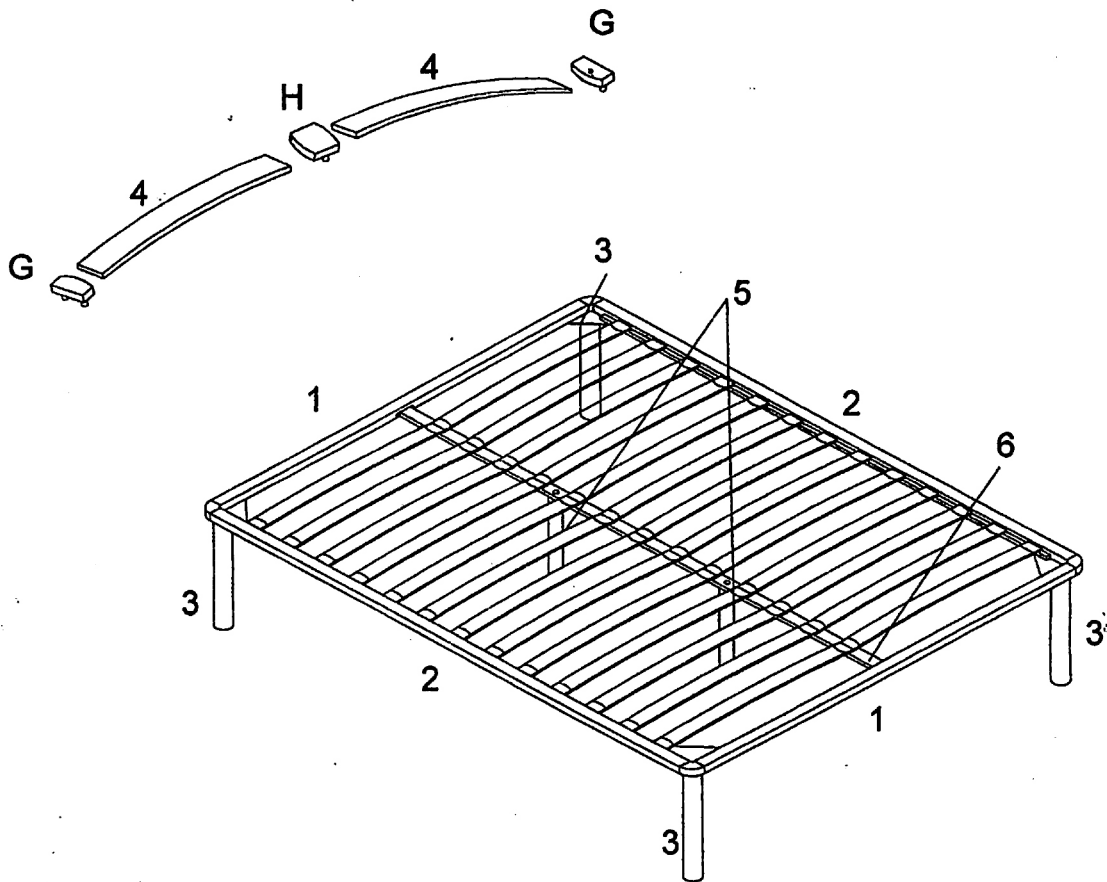


Ax4	Bx2	Cx1	Dx1	E x2



Hardware & Tool

STEP 3:

Insert 2 piece of Side Plastic Cover (G) into each end of 2 pieces of Slat (4) as shown. Insert the other end of the Slats (4) into 1 piece of Center Plastic Cover (H) as shown. Insert the assembled Side Plastic Covers (G) into the corresponding holes on Long Board (2), and the assembled Center Plastic Cover (H) into the corresponding holes on Stretcher (4) as shown. Repeat the same steps for the remaining 24 pieces Slat (4).



Assembly is complete. Your bed frame is ready to be enjoyed now!

	
Gx26	Hx13

Hardware & Tool required