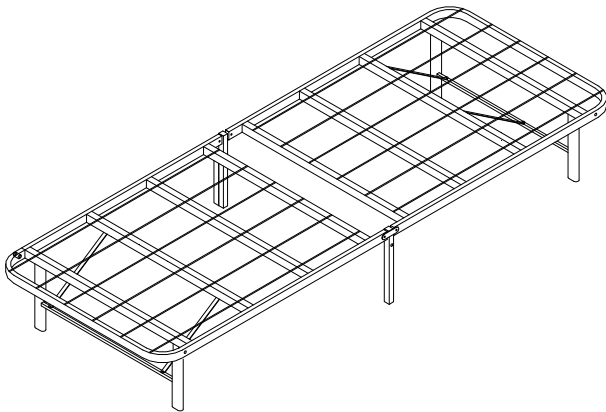


Thank you for purchasing the **MODWAY TWIN BED FRAME!**

Before you start, here is some helpful advice:

1. We suggest you spend a short time reading through this leaflet and then follow the simple step by step instructions.
2. Owing to the size and weight of the bed frame, we recommend that it is assembled by two adults, on a carpeted or padded area, in the room that it is intended for. Approximate assembly time: 15 minutes.
3. Please do not use any tools other than those provided or recommended in these instructions.
4. Please do not throw away any of the packaging or instructions until you have checked all the components and hardware and the furniture is fully assembled.
5. Assemble all components loosely until advised to tighten. Depending on use, it may be necessary to tighten the components from time to time, so please save the tools that have been provided.
6. Please keep all pieces out of reach of small children.



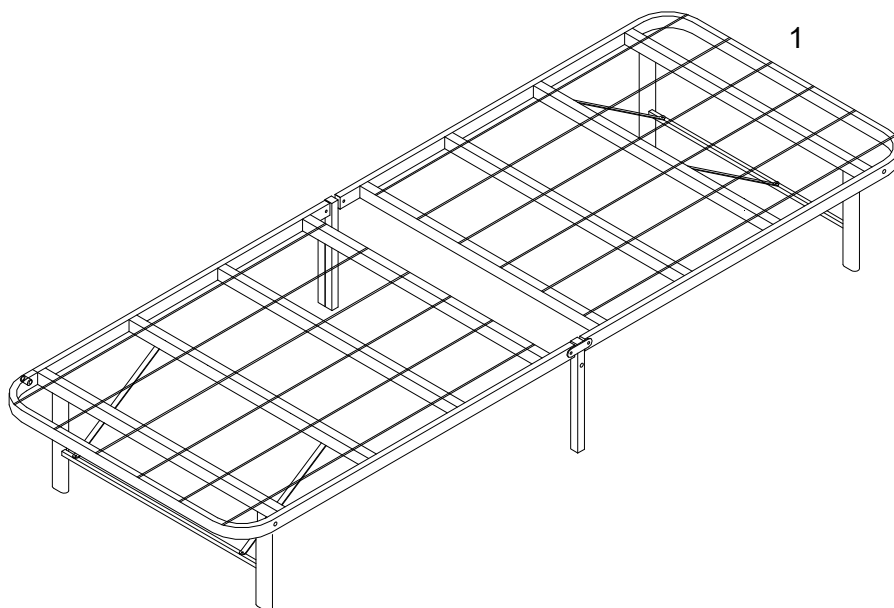
### Hardware:

A



Allen Wrench x 1

### Component:



1 Single bed Frame x1

## STEP 1:

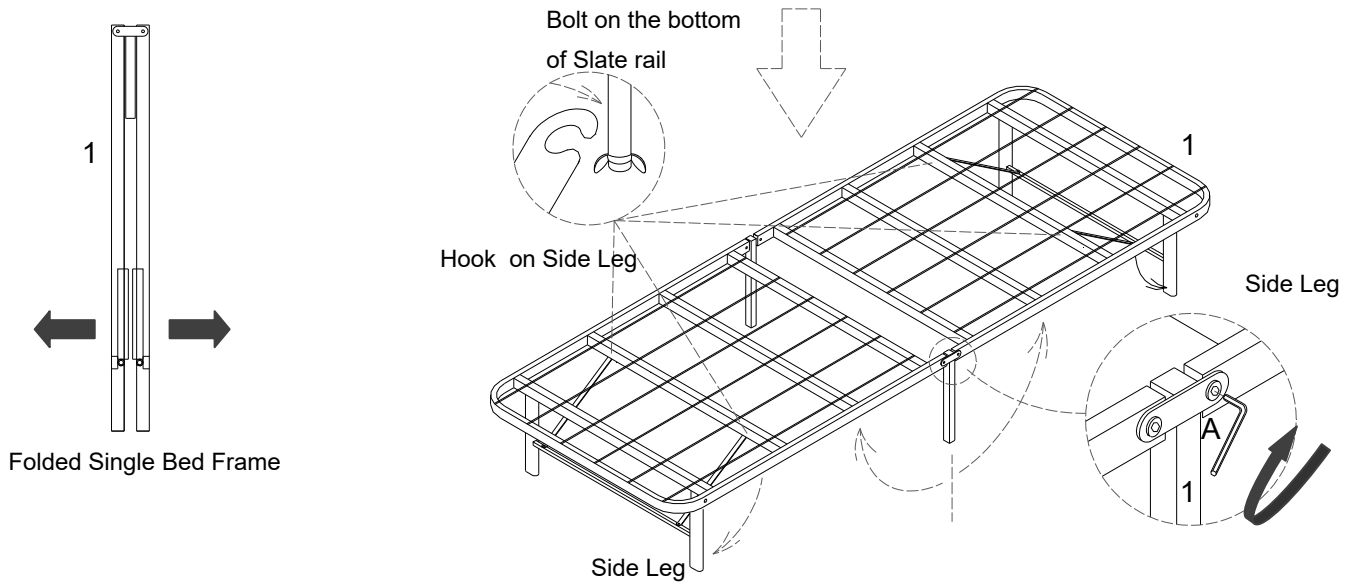
Please find the folded **Single Bed Frame (1)** and hardware package in the carton.

Then put them on a carpeted or padded area by two adults .

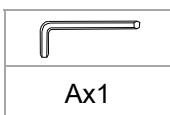
Extend **Single Bed Frame (1)** and the side Legs as shown.

Tighten all the bolts pre-installed on the support legs by using **Allen Wrench (A)**.

Lock the 4pcs of hooks on the side leg to the bolts on the bottom of slat rail as shown.



Assembly is completed. The bed frame is ready to enjoy now!



Hardware & Tool required