

# ASSEMBLY INSTRUCTIONS

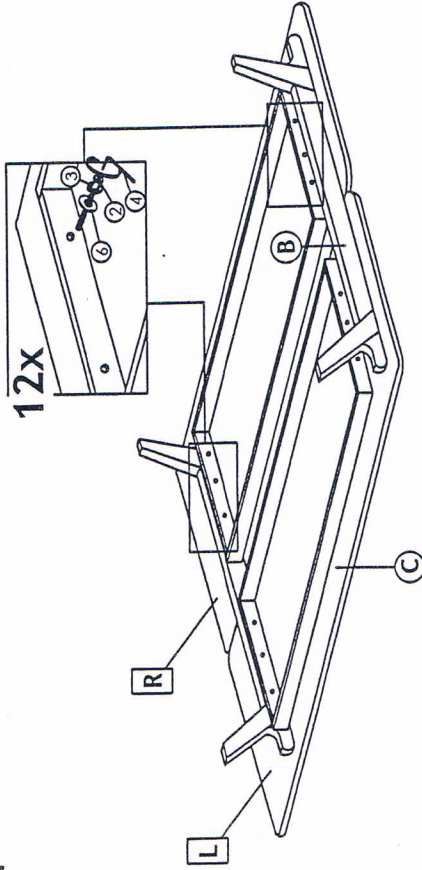
Read this instruction carefully. Refer hardware and furniture parts list for guidance. Be sure all parts are complete, before assembling. Place all wooden furniture part on a clean and flat soft surface to prevent scratches. Refer steps provided as assembling guide.

**CAUTIONS :**

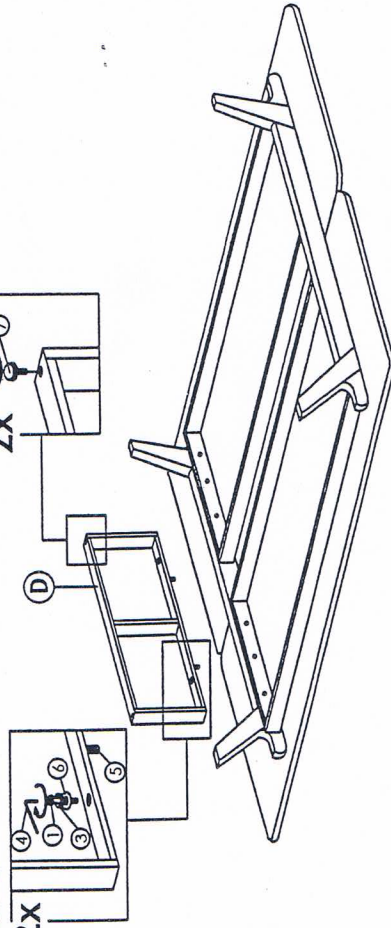
1. Do not FULLY-TIGHTEN the nuts or nut bolts until all are in place.
2. To prevent thread damage. Ensure that nuts or nut bolts are not over-tighten.
3. Hardware are to be kept out of reach from children.

PART LIST		HARDWARE LIST			
ITEM	DESCRIPTION	QTY	ITEM	DESCRIPTION	QTY
A	HEADBOARD	1 PC	1	JCBC SCREW M6 x 35MM	2 PCS
B	LEG	2 PCS	2	JCBC SCREW M6 x 40MM	24 PCS
C	MATTRESS PANEL (L & R)	2 PCS	3	SPRING WASHER 1/4"	26 PCS
D	WOODEN SUPPORT	1 PC	4	M4 ALLEN KEY (BALL SHAPE) LONG	1 PC
			5	WOOD DOWEL DIA 8 x 35MM	2 PCS
			6	FLAT WASHER 1/4"	26 PCS
			7	BOLT BASE GLIDE M6 x 23 (C83)	2 PCS

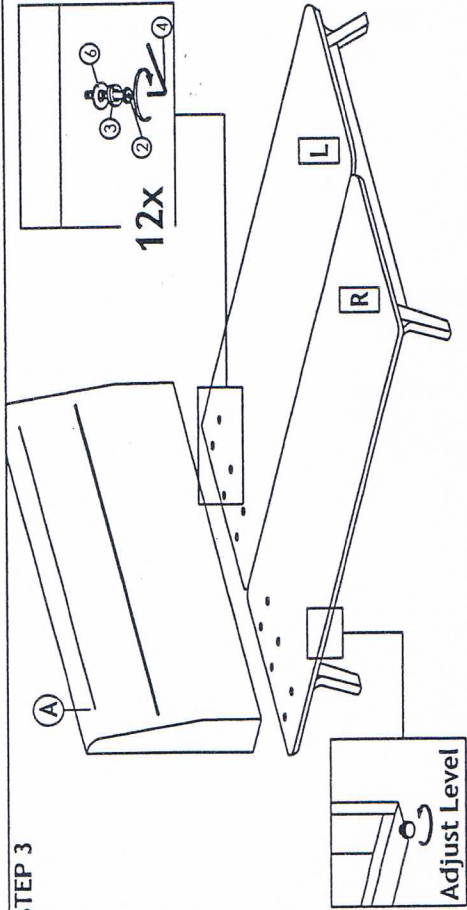
**STEP 1**



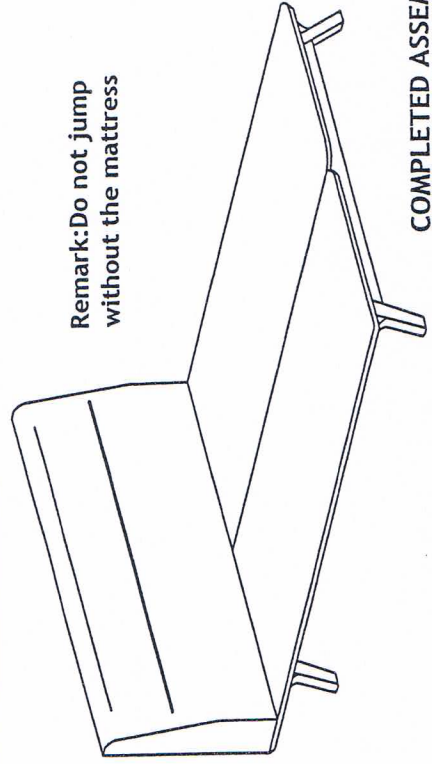
**STEP 2**



**STEP 3**



**STEP 4**



Remark: Do not jump without the mattress

COMPLETED ASSEMBLY