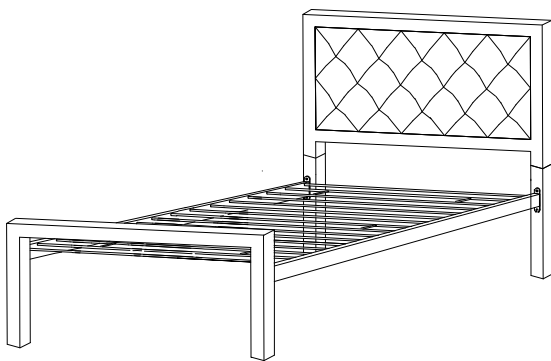






Thank you for purchasing the **MODWAY BED!**

Before you start, here is some helpful advice:

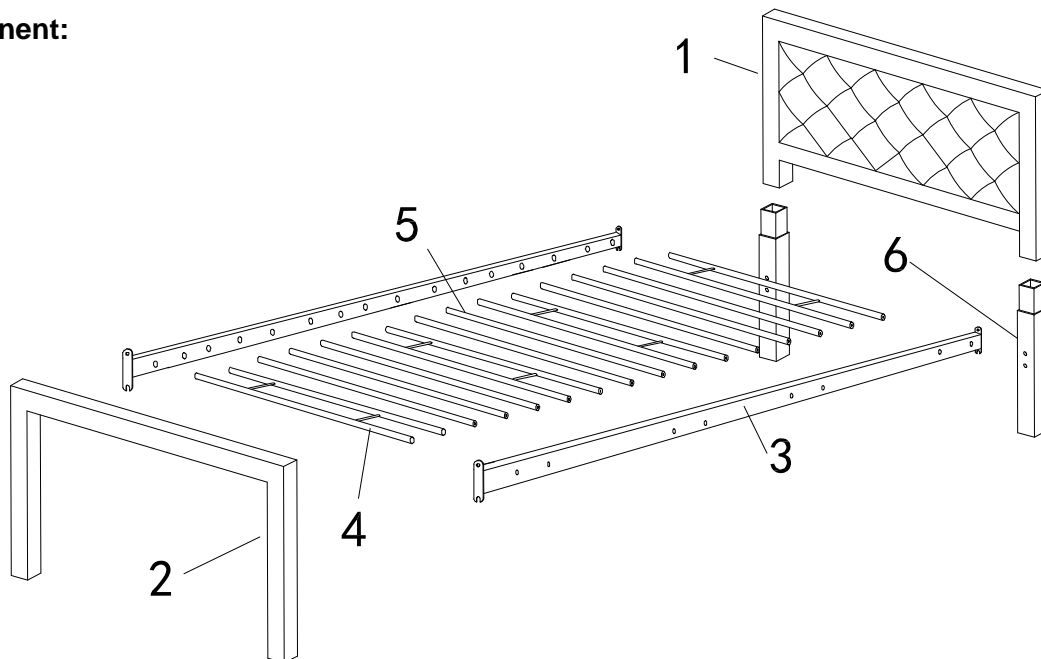
1. We suggest you spend a short time reading through this leaflet and then follow the simple step by step instructions.
2. Owing to the size and weight of the bed, we recommend that it is assembled by two adults, on a carpeted or padded area, in the room that it is intended for. Approx assembly time: 30 minutes.
3. Please do not use any tools other than those provided or recommended in these instructions.
4. Please do not throw away any of the packaging or the instruction until you have checked all the components and hardware and the furniture is fully assembled. Please ensure that the packaging is disposed of in a safe environmentally friendly way.
5. Assemble all components loosely until advised to tighten. Depending on use, it may be necessary to tighten the components from time to time, so please save the tools that has been provided.
6. Please keep all fitting out of reach of children.



Hardware:

A		Bolt M6x20mm	x28
B		Flat Washer	x4
C		Rubber Insert	x16
D		Allen Wrench	x1

Component:



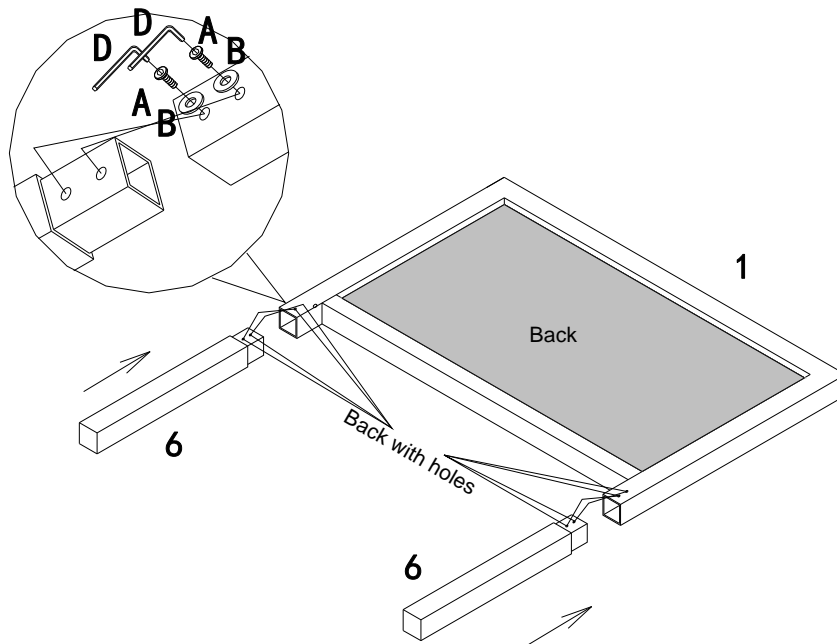
1	Headboard	x1	2	Footboard	x1
3	Side Rail	x2	4	Double Slat	x4
5	Single Slat	x8	6	Low Post	x2

STEP 1:

Insert **Low Post (6)** into **Headboard (1)** as shown.

Attach them by using **Flat Washer (B)** and **Bolt (A)** from the holes on the back of **Low Post (6)** and **Headboard (1)**.

Tighten with **Allen Wrench (D)**.



Ax4	Bx4	Dx1

Hardware & Tool required

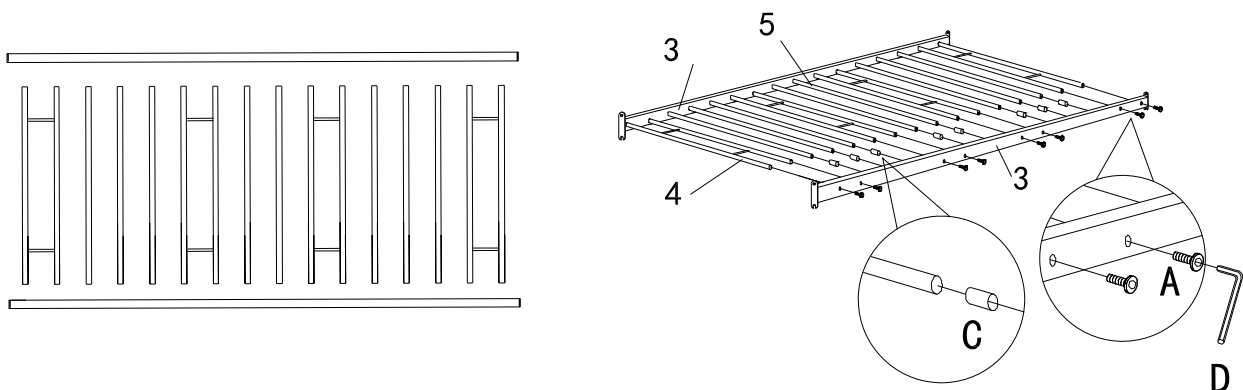
STEP 2:

Take out all **Double Slats (4)**, **Single Slats(5)** and **Side Rails(3)** and place them as shown.

Insert one end of **Rubber Insert (C)** into **Single Slats (5)** and the other end into the corresponding holes on one piece of **Side Rail (3)** as shown.

And attach **Double Slats (4)** to the same **Side Rail (3)** by using **Bolts (A)**, Tighten **Bolts (A)** with **Allen Wrench (D)**.

Repeat above for the other **Side Rail (3)**.

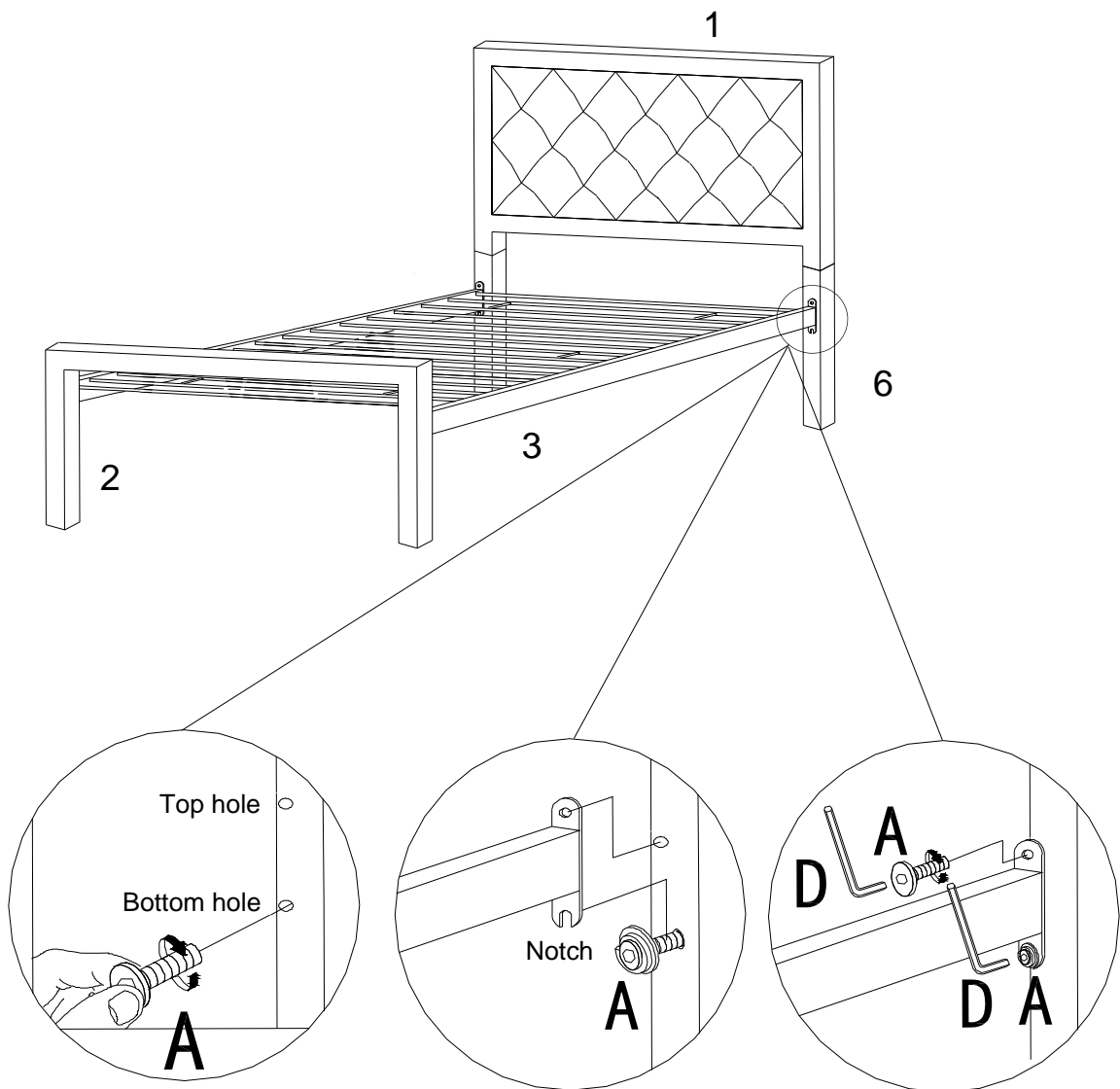




Ax16	Cx16	Dx1

Hardware & Tool required

STEP 3:

Screw **Bolts (A)** into the bottom holes on the assembled **Headboard (1&6)** & **Footboard (2)** by hand .
 Leaving 8~10mm space of the thread of **Bolts (A)** as shown for inserting the notch of assembled **Side Rails (3&4&5)**.
 Insert the notch of assembled **Side Rails(3&4&5)** into the space of thread of **Bolts (A)** which attached into the bottom holes of assembled **Headboard (1&6)** & **Footboard (2)** as shown.
 Screw **Bolts (A)** into the top holes on the assembled **Headboard (1&6)** & **Footboard (2)** as shown.
 Tighten all **Bolts (A)** with **Allen Wrench (D)** after all assembled.



	
AX8	Dx1

Hardware & Tool required

Assembly is completed. The bed is ready for using now!