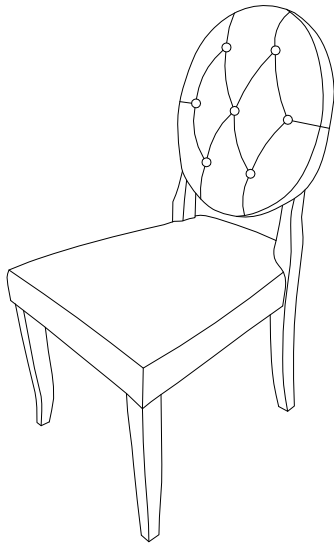








Thank you for purchasing the **MODWAY CHAIR!**

Before you start, here is some helpful advice:

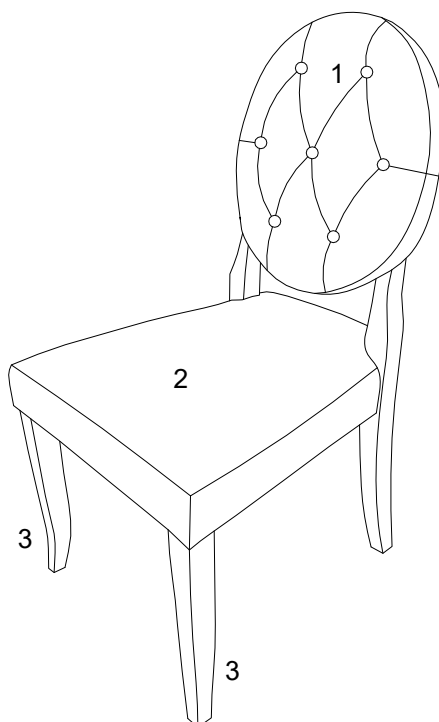
1. We suggest you spend a short time reading through this leaflet and then follow the simple step by step instructions.
2. Owing to the size and weight of the chair, we recommend that it is assembled by two adults, on a carpeted or padded area, in the room that it is intended for. Approximate assembly time: 30 minutes.
3. Please do not use any tools other than those provided or recommended in these instructions.
4. Please do not throw away any of the packaging or instructions until you have checked all the components and hardware and the furniture is fully assembled.
5. Assemble all components loosely until advised to tighten. Depending on use, it may be necessary to tighten the components from time to time, so please save the tools that have been provided.
6. Please keep all pieces out of reach of small children.



### Hardware:

A		Bolt M8x50mm	x 1
B		Bolt M8x57mm	x 4
C		Bolt M8x90mm	x 4
D		Spring Washer M8	x 9
E		Flat Washer M8	x 9
F		Allen Wrench	x 1

### Component:



1 Chair Back x1

2 Seat Frame x1

3 Front Leg x2

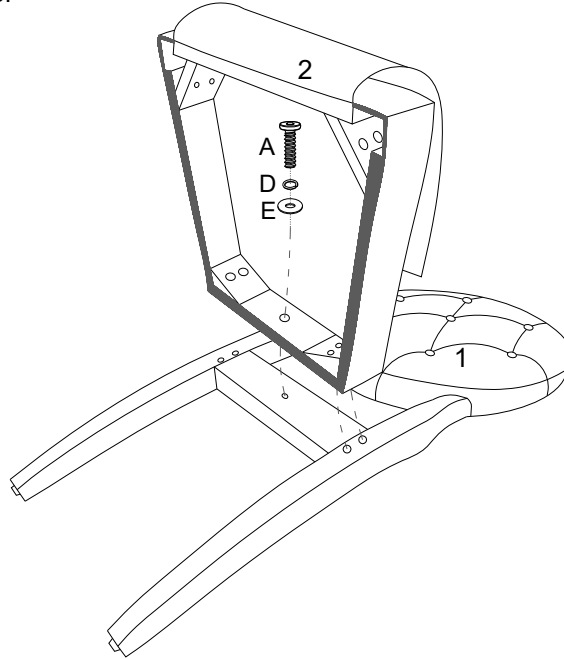
## STEP 1:

Please put **Chair Back (1)** upside down on a carpeted or padded area.

Then open the black fabric which is attached by the Velcro from back to front on bottom of the **Seat Frame (2)**. The inside of the **Seat Frame(2)** will now be visible.

Attach **Seat Frame (2)** to **Chair Back(1)** by using 1 piece of **Bolt (A)**, 1 piece of **Spring Washer (D)** and 1 piece of **Flat Washer (E)** as shown.

Do not fully tighten **Bolt (A)** at this step.



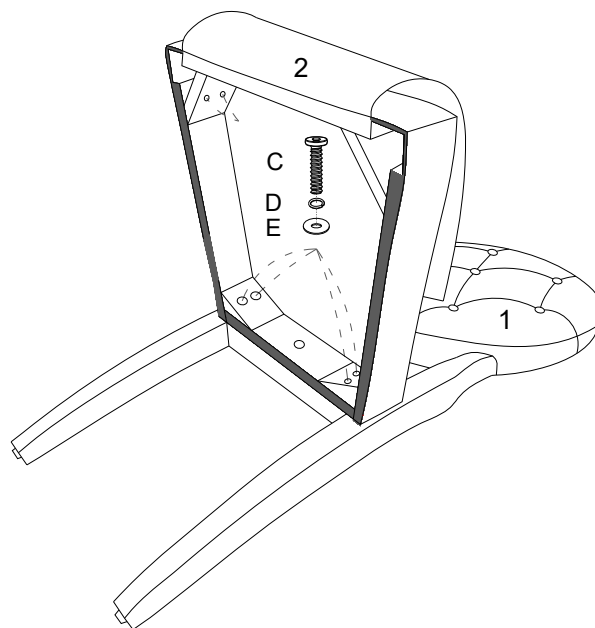
		
Ax1	Dx1	Ex1




Hardware & Tool required

## STEP 2:

Attach **Seat Frame (2)** to **Chair Back (1)** by 4 pieces of **Bolt (C)**, 4 pieces of **Spring Washer (D)** and 4 pieces of **Flat Washer (E)** as shown.

Do not fully tighten **Bolts (C)** at this step also.

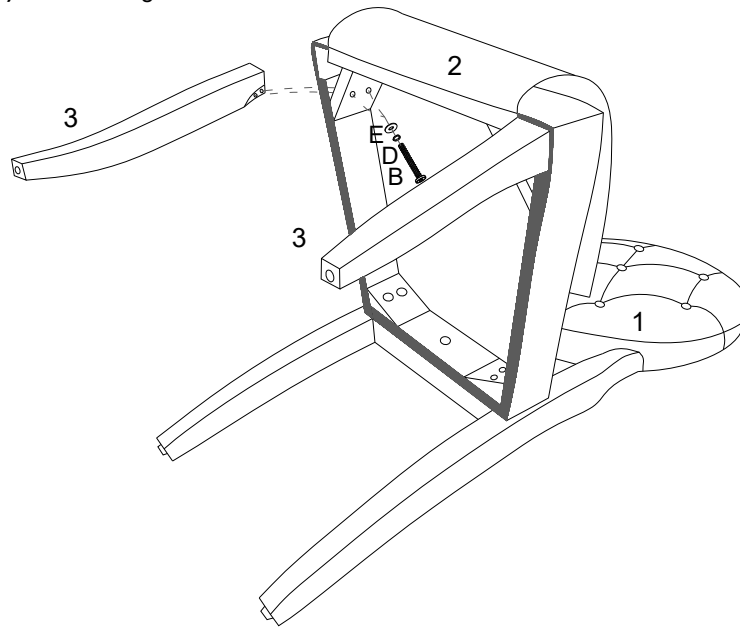


		
Cx4	Dx4	Ex4

Hardware & Tool required

### STEP 3:

Insert 1 piece of **Front Leg (3)** into the upper hole on bottom of the **Chair Back (1)** as shown.  
 Attach by 2 pieces of **Bolt (B)**, 2 pieces of **Spring Washer (D)** and 2 piece of **Flat Washer (E)** as shown.  
 Repeat the same steps for the remaining **Front Leg (3)**.  
 Do not fully tighten **Bolts (B)** for either leg.

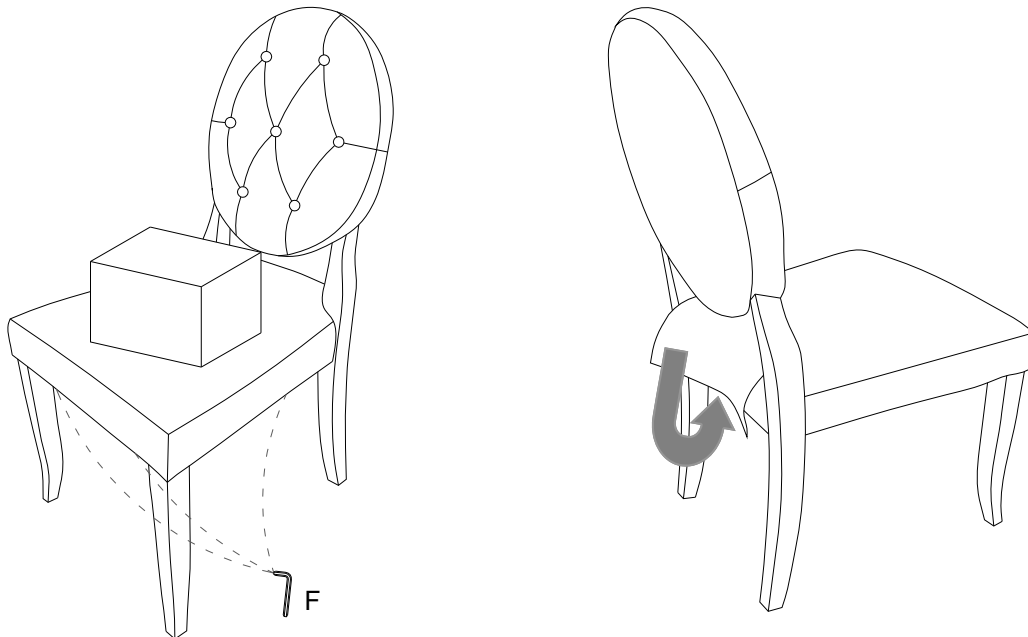


Bx4	Dx4	Ex4

Hardware & Tool required

### STEP 3:

Carefully turn over the chair.  
 Please put a heavy object or seat one adult on top of the **Seat Frame (2)** to pressure the chair for leveling.  
 Fully tighten the **Bolts (A&B&C)** with **Allen Wrench (F)**.  
 Cover the leather on back of the **Seat Frame (2)** by Velcro.



Assembly is completed. The chair is ready to use now!

Fx1

Hardware & Tool required