

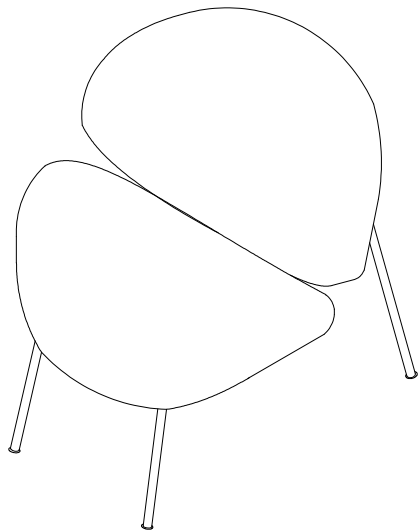
EEI-809 Chair



Thank you for purchasing the **MODWAY Chair**.

Before you start, here are some helpful advice:

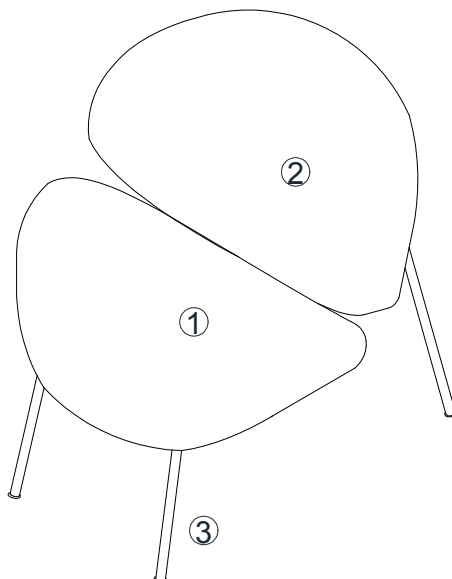
1. We suggest you spend a short time reading through this leaflet and then follow the simple step-by-step instructions.
2. Owing to the size and weight of the chair, we recommend that it is assembled by two adults, on a carpeted or padded area, in the room that it is intended for. Approximate assembly time: 15 minutes.
3. Please do not use any tools other than those provided or recommended in these instructions.
4. Please do not throw away any of the packaging or the instruction until you have checked all the components and hardware and the furniture is fully assembled. Please ensure that the packaging is disposed of in a safe and environmentally friendly way.
5. Assemble all components loosely until advised to tighten. Depending on use, it may be necessary to tighten the components from time to time, so please save the tools that have been provided.
6. Please keep all fitting out of reach of children.



Hardware:

- | | | | |
|----|--|----------------------|----------------------|
| A. | | Bolt M6x30mm | x 4 |
| B. | | Bolt M6x20mm | x 2 |
| C. | | Screw 40mm | x 2 |
| D. | | M5 Allen Wrench | x1 |
| E. | | M4 Allen Wrench | x1 |
| F. | | Phillips screwdriver | x1
(Not Included) |

Component:



- 1 Seat x1 2 Back x 1 3 Base x 1

EEI-809 Chair

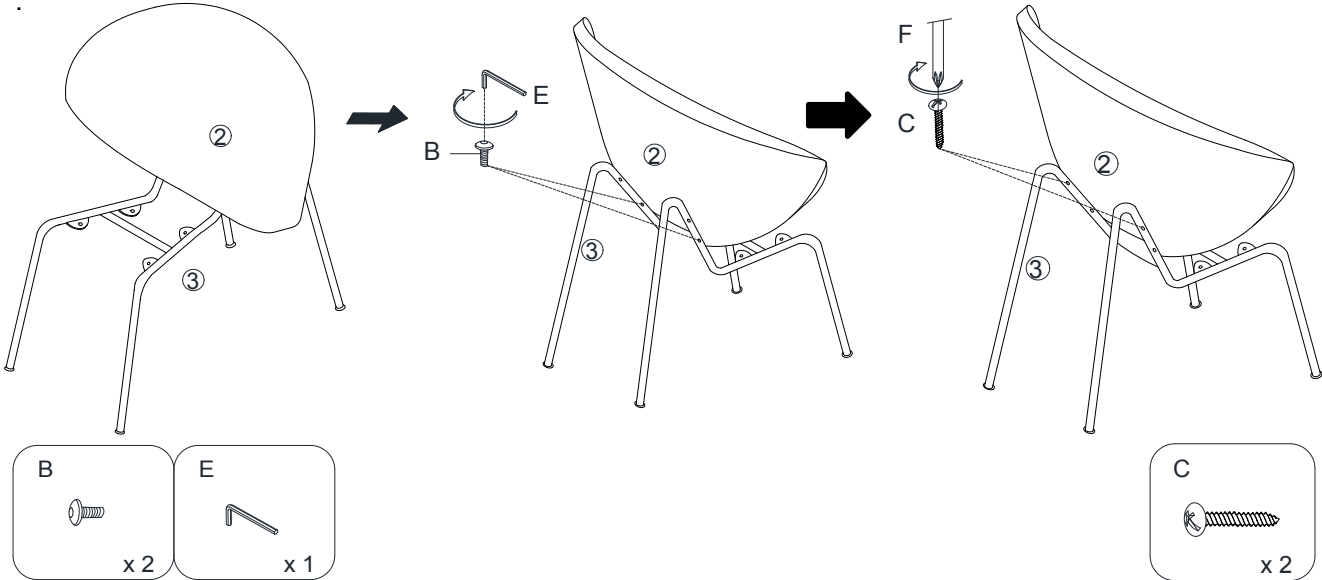
STEP 1:

Attach **Back (2)** to the **Base (3)** by using 2 pieces of **Bolt (B)**.

Tighten **Bolts (B)** by using **Allen Wrench (E)** as shown.

Insert 2 pieces **Screw (C)** into the top holes on the **Base (3)** of the assembled chair.

Tighten by rotating **Screw (C)** clockwise with **Phillips screwdriver (F)** (Not Included).



Hardware & Tools required

Hardware & Tools required

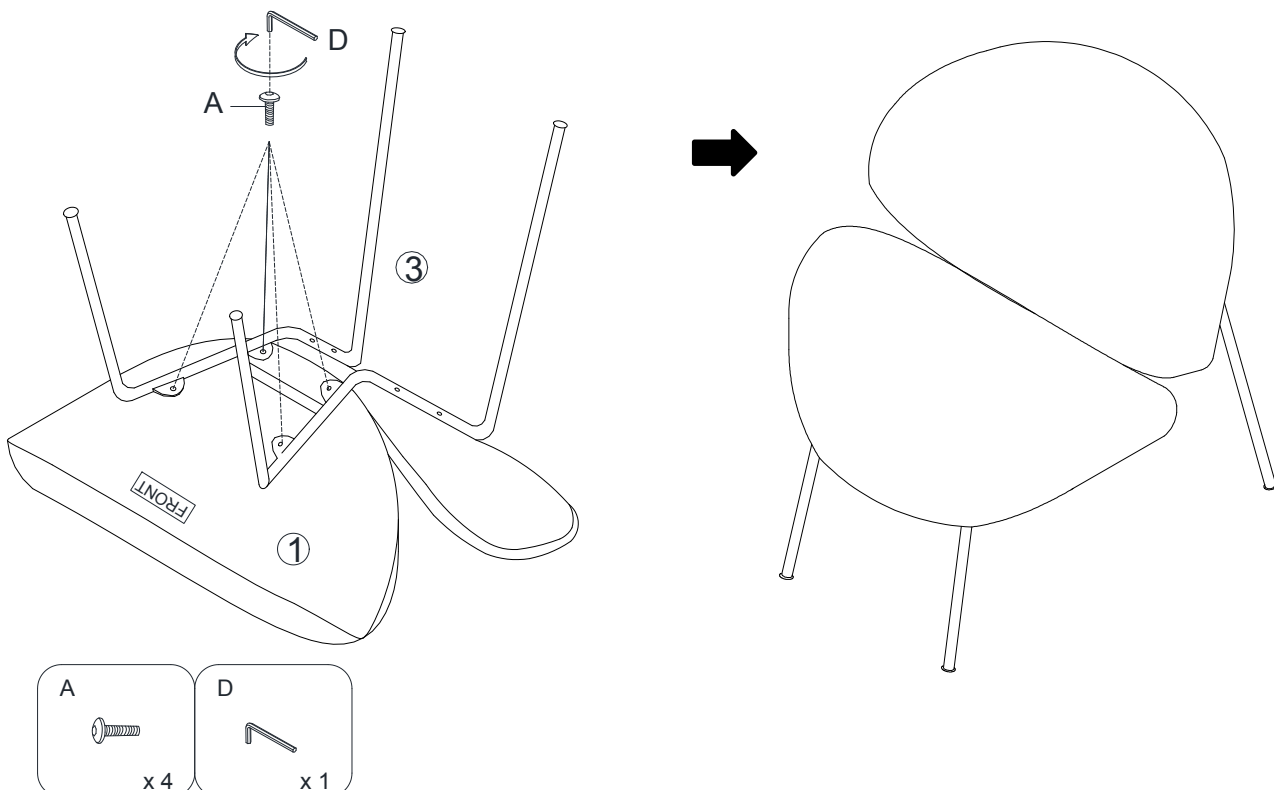
STEP 2:

Put **Seat (1)** on a carpeted or padded surface.

Attach **Base (3)** of assembled chair to the bottom of **Seat (1)** by using 4 pieces of **Bolt (A)** as shown.

Tighten **Bolts (A)** by using **Allen Wrench (D)** as shown.

Turn over the assembled chair carefully. Assembly is complete. Your Chair is ready to be used now!



Hardware & Tools required