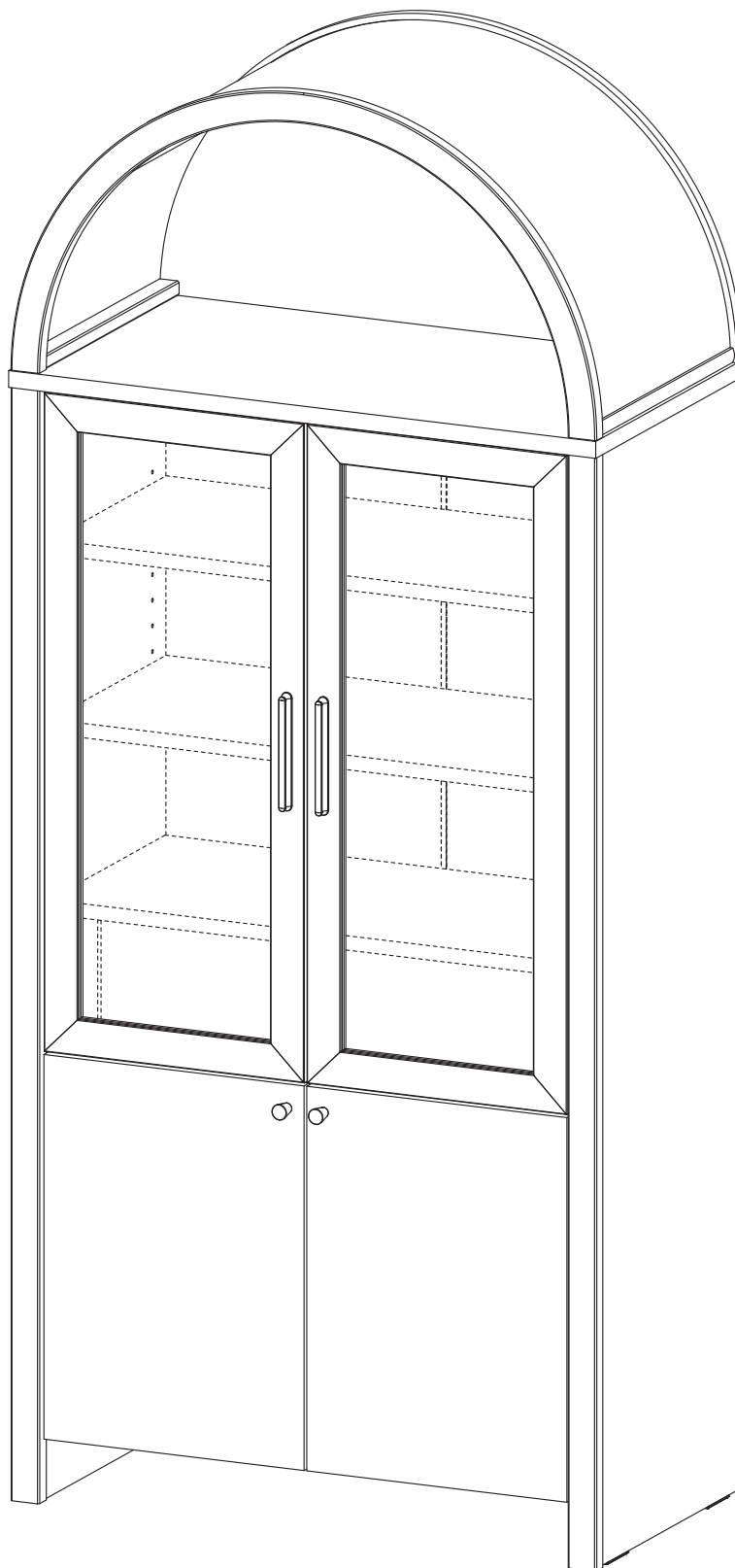


ASSEMBLY INSTRUCTIONS

EEI-6834

VO.11.13.23



Questions? Contact us!

609.256.9000 • cs@modway.com
www.modway.com

*modway



Read through all of the instructions before starting



Care instructions are listed in the last step of this manual



Approx. 120 minutes assembly time



Make sure you have all parts and components before discarding any packing materials



2 people recommended for assembly

Only use hand tools to assemble this item. Do not use power tools. Do not tighten bolts or screws completely until all hardware is lined up and inserted into the holes.

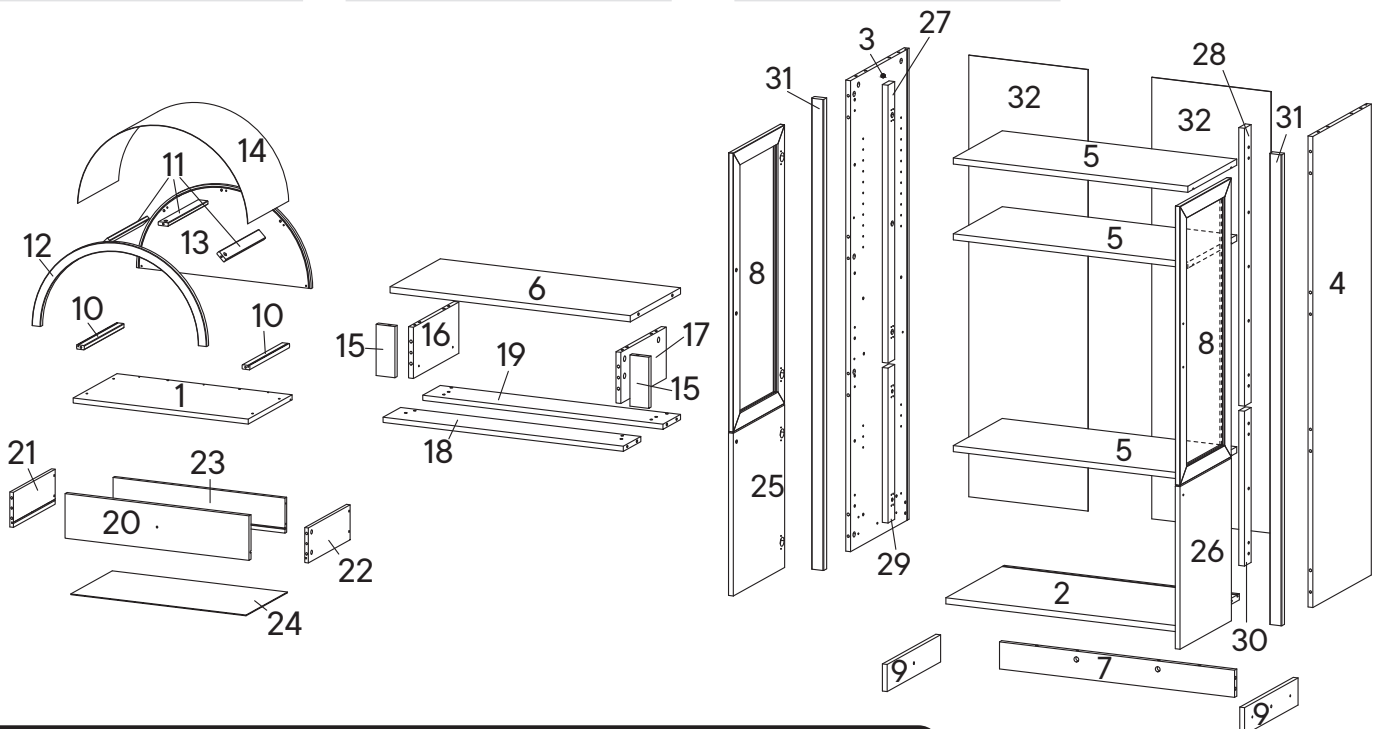
Do not over-tighten screws and bolts to avoid stripping the hardware or cracking the item.

Assemble your item on a flat, carpeted area, with plenty of space to work. This will prevent damage and scratches to your floors or the item while you're assembling the product.

Keep all components and packaging out of reach of children or animals to avoid risk of choking or suffocation.

Furniture components:





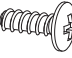




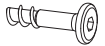



















1	Top Board	x1	11	Support Board 2 Hutch	x3	21	Side Drawer Left	x1	31	Support Board 7	x2
2	Bottom Board	x1	12	Front Board Hutch	x1	22	Side Drawer Right	x1	32	Back Board	x2
3	Side Board Left	x1	13	Back Board Hutch	x1	23	Back Drawer	x1			
4	Side Board Right	x1	14	PVC Board	x1	24	Bottom Drawer	x1			
5	Adjustable Shelf	x3	15	Support Board 2	x2	25	Door Left	x1			
6	Fixed Shelf	x1	16	Center Board Left	x1	26	Door Right	x1			
7	Bottom Skirt 1	x1	17	Center Board Right	x1	27	Support Board 3	x1			
8	Frame Door	x2	18	Bottom Skirt 2	x1	28	Support Board 4	x1			
9	Support Board 1	x2	19	Bottom Skirt 3	x1	29	Support Board 5	x1			
10	Support Board 1 Hutch	x2	20	Front Drawer	x1	30	Support Board 6	x1			



Wait!

Missing parts or hardware? Need assistance?
Contact us before returning your item. We're here to help!
609.256.9000 • cs@modway.com

Provided hardware:

A		Cam Bolt Ø6 x 35 mm	x42	K		Handle	x2	U		Screw M 6 x 10.5 mm	x4
B		Cam Lock Ø15 mm	x38	L		Screw M 4.5 x 12.5 mm	x48	V		Screw M 3.5 x 13 mm	x6
C		Wood Dowel Ø8 x 30 mm	x49	M		Wedge	x16	W		Silicon Bumper	x2
D		Screw M 6.4 x 25 mm	x16	N		Screw M 3.5 x 15.5 mm	x16	X		Floor Glide	x6
E		Screw M 8 x 39 mm	x7	O		Screw Cap Ø15 mm	x4	Y		Wood Dowel M5 x 20mm	x18
F		Shelf Pin	x12	P		Allen Key	x2	Z		Rubber	x2
G		Screw Cap Ø15 mm	x2	Q		Joining Strip	x1	RM30A		Drawer Runner	x1
H		Stopper	x2	R		Cam Lock Ø12 mm	x4	HS26C		Hinge	x8
I		Handle	x3	S		Wood Dowel M6 x 30mm	x2	What you need:			
J		Screw M 4 x 20 mm	x7	T		Screw M 7 x 50 mm	x4		Phillips Head Screwdriver		

Components Carton Placement

Carton 1 of 2

1	Top Board	x1	20	Front Drawer	x1
2	Bottom Board	x1	21	Side Drawer Left	x1
5	Adjustable Shelf	x3	22	Side Drawer Right	x1
6	Fixed Shelf	x1	23	Back Drawer	x1
10	Support Board 1 Hutch	x2	24	Bottom Drawer	x1
11	Support Board 2 Hutch	x3		Hardware Pack	x1
12	Front Board Hutch	x1			
13	Back Board Hutch	x1			
18	Bottom Skirt 2	x1			
19	Bottom Skirt 3	x1			

Carton 2 of 2

3	Side Board Left	x1	26	Door Right	x1
4	Side Board Right	x1	27	Support Board 3	x1
7	Bottom Skirt 1	x1	28	Support Board 4	x1
8	Frame Door	x2	29	Support Board 5	x1
9	Support Board 1	x2	30	Support Board 6	x1
14	PVC Board	x1	31	Support Board 7	x2
15	Support Board 2	x2	32	Back Board	x2
16	Center Board Left	x1		Hardware Pack	x1
17	Center Board Right	x1			
25	Door Left	x1			

Wait!

Missing parts or hardware? Need assistance?
Contact us before returning your item. We're here to help!
609.256.9000 • cs@modway.com

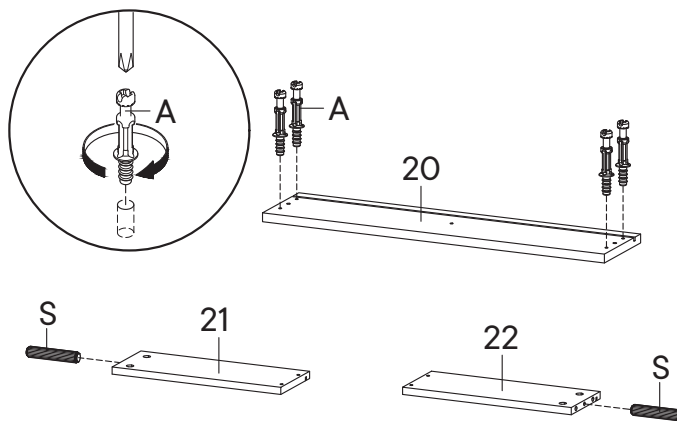
Step 1

HARDWARE

- A** Cam Bolt $\varnothing 6 \times 35$ mm x4
- S** Wood Dowel $\varnothing 6 \times 30$ mm x2

COMPONENTS

- 20** Front Drawer x1
- 21** Side Drawer Left x1
- 22** Side Drawer Right x1



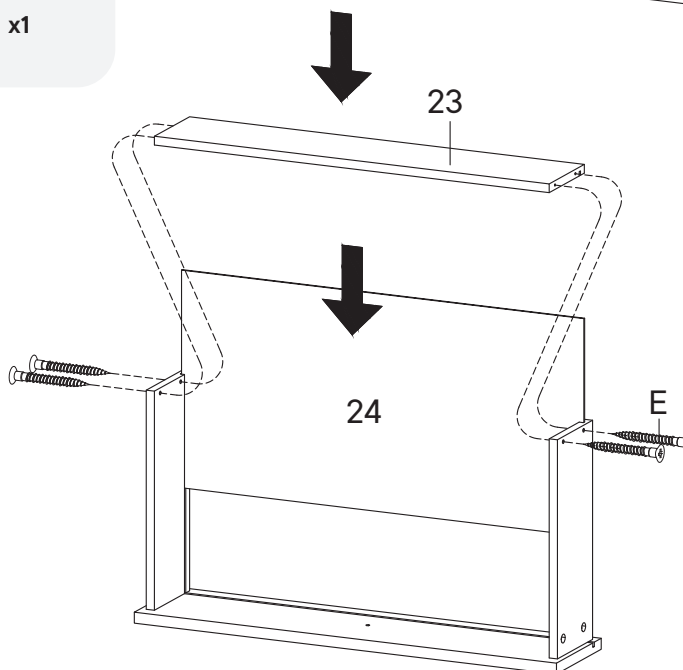
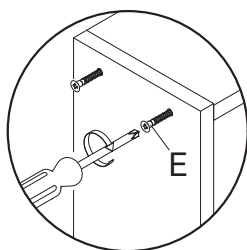
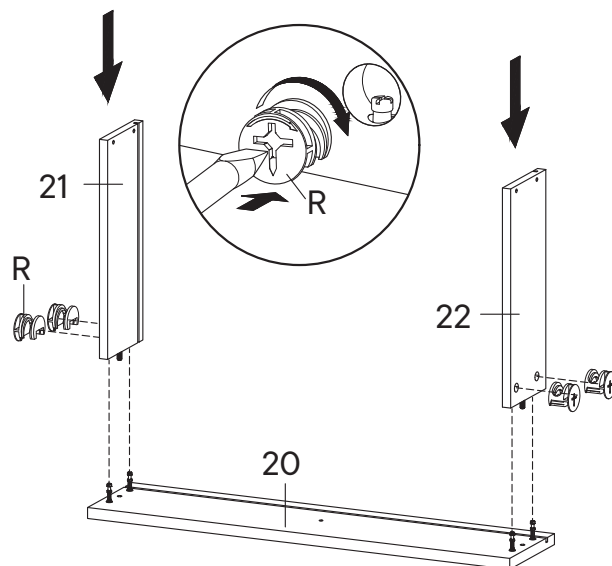
Step 2

HARDWARE

- E** Screw M 8 x 39 mm x4
- R** Cam Lock $\varnothing 12$ mm x4

COMPONENTS

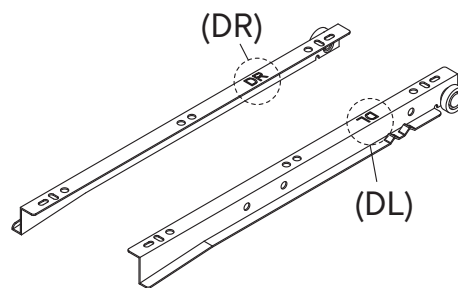
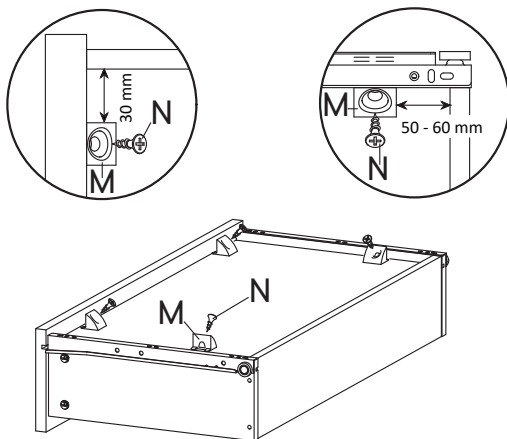
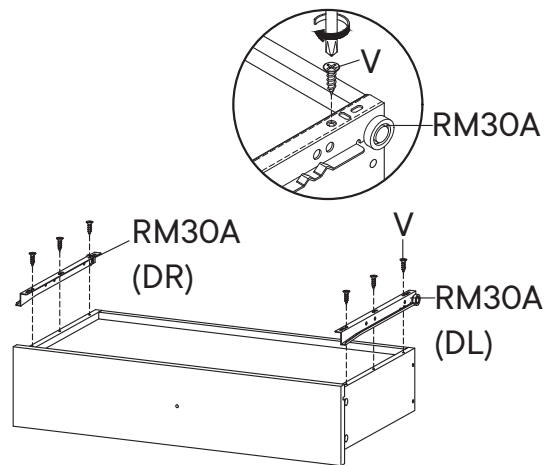
- 20** Front Drawer x1
- 21** Side Drawer Left x1
- 22** Side Drawer Right x1
- 23** Back Drawer x1
- 24** Bottom Drawer x1



Step 3

HARDWARE

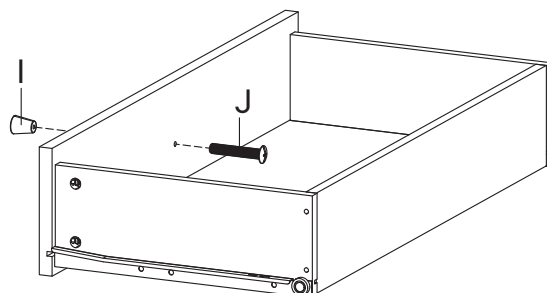
M	Wedge	x4
N	Screw M 3.5 x 15.5 mm	x4
V	Screw M 3.5 x 13 mm	x6
RM30A	Drawer Runner	x1



Step 4

HARDWARE

I	Handle	x1
J	Screw M 4 x 20 mm	x1



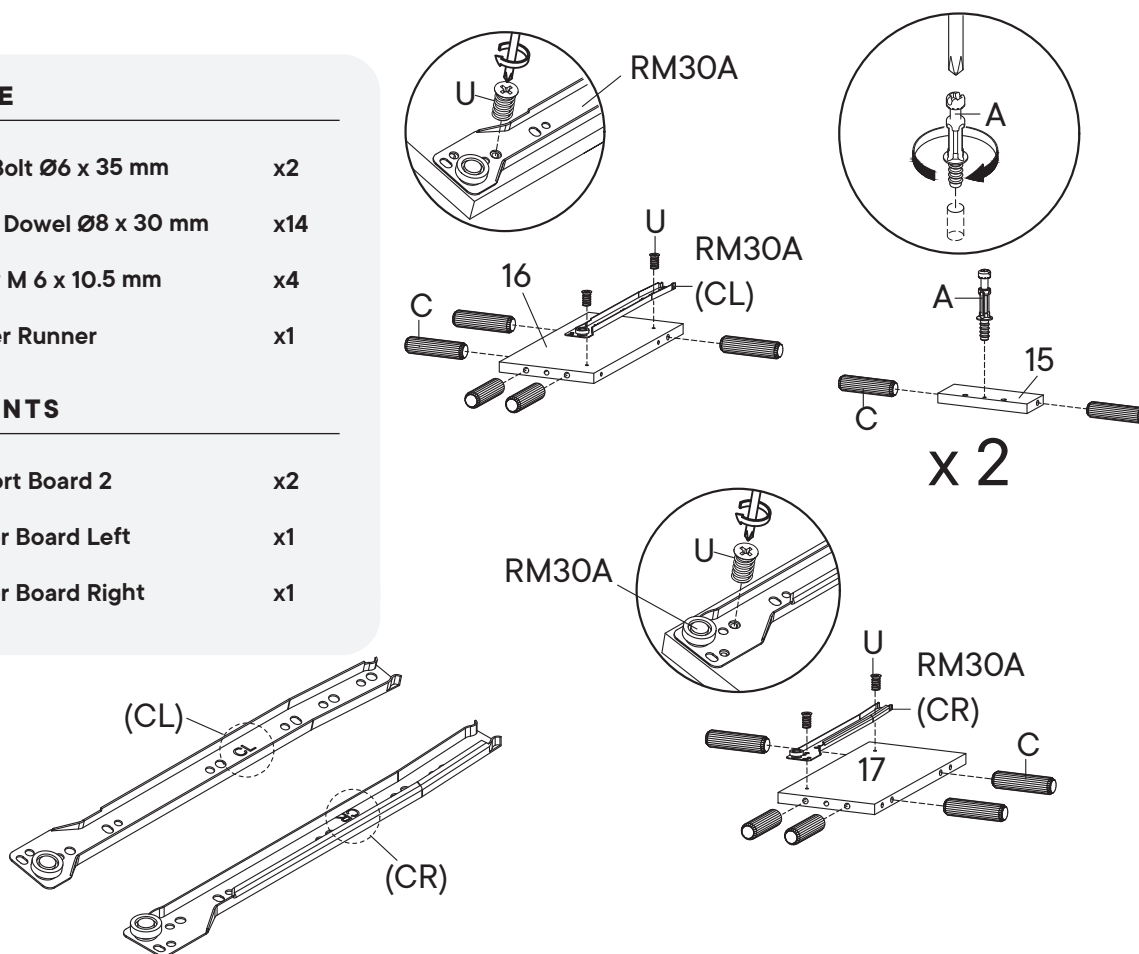
Step 5

HARDWARE

- A** Cam Bolt Ø6 x 35 mm x2
- C** Wood Dowel Ø8 x 30 mm x14
- U** Screw M 6 x 10.5 mm x4
- RM30A** Drawer Runner x1

COMPONENTS

- 15** Support Board 2 x2
- 16** Center Board Left x1
- 17** Center Board Right x1



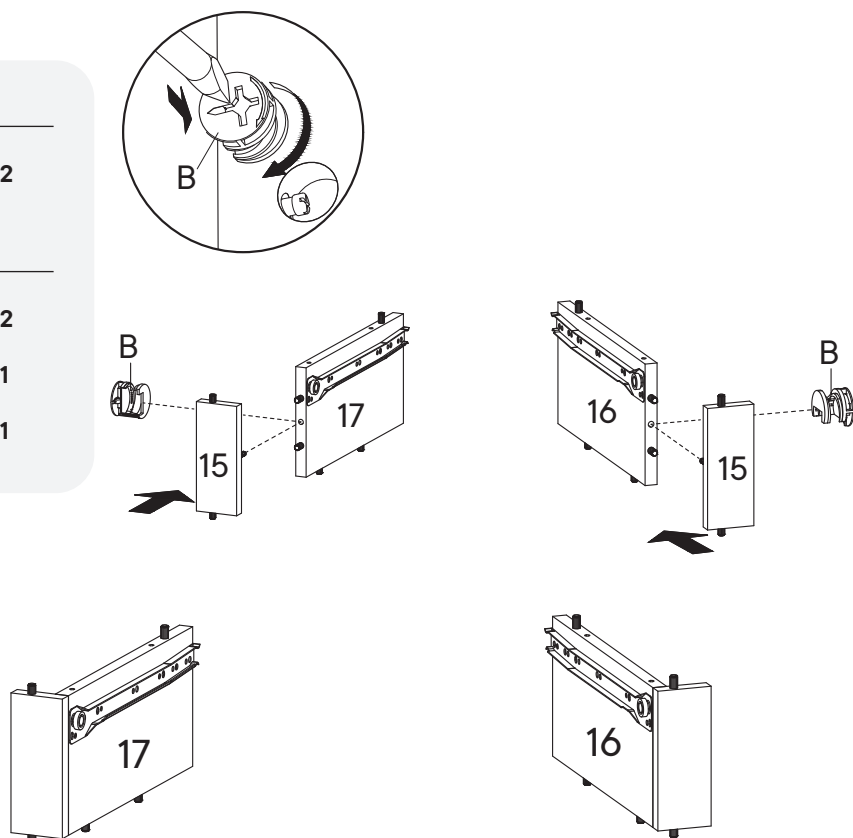
Step 6

HARDWARE

- B** Cam Lock Ø15 mm x2

COMPONENTS

- 15** Support Board 2 x2
- 16** Center Board Left x1
- 17** Center Board Right x1



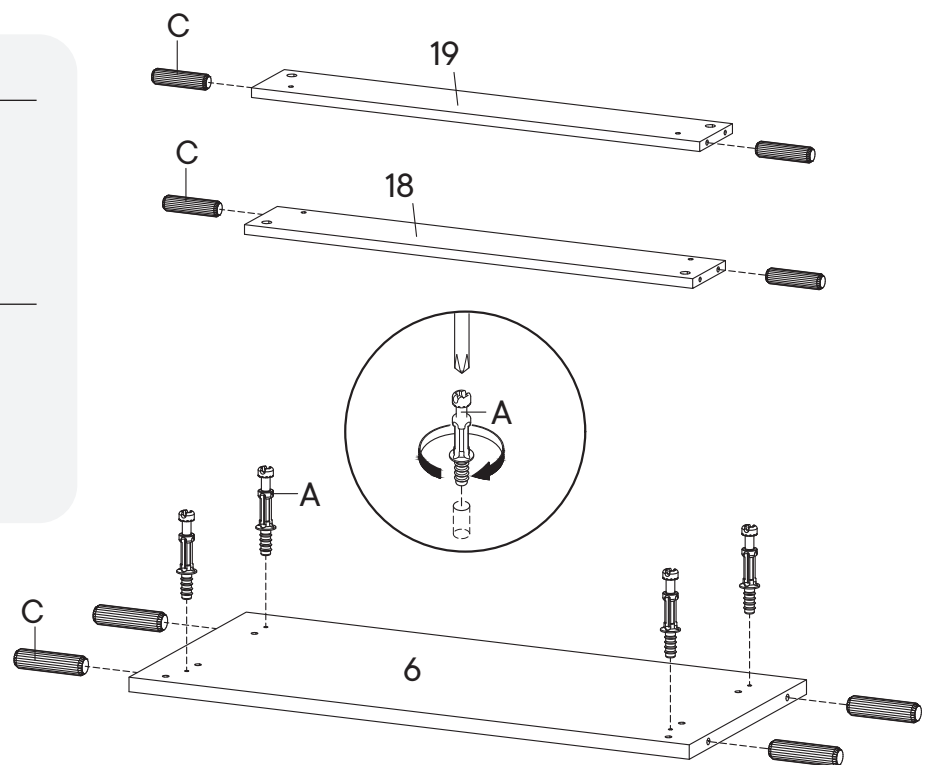
Step 7

HARDWARE

- A** Cam Bolt $\varnothing 6 \times 35$ mm x4
- C** Wood Dowel $\varnothing 8 \times 30$ mm x8

COMPONENTS

- 6** Fixed Shelf x1
- 18** Bottom Skirt 2 x1
- 19** Bottom Skirt 3 x1



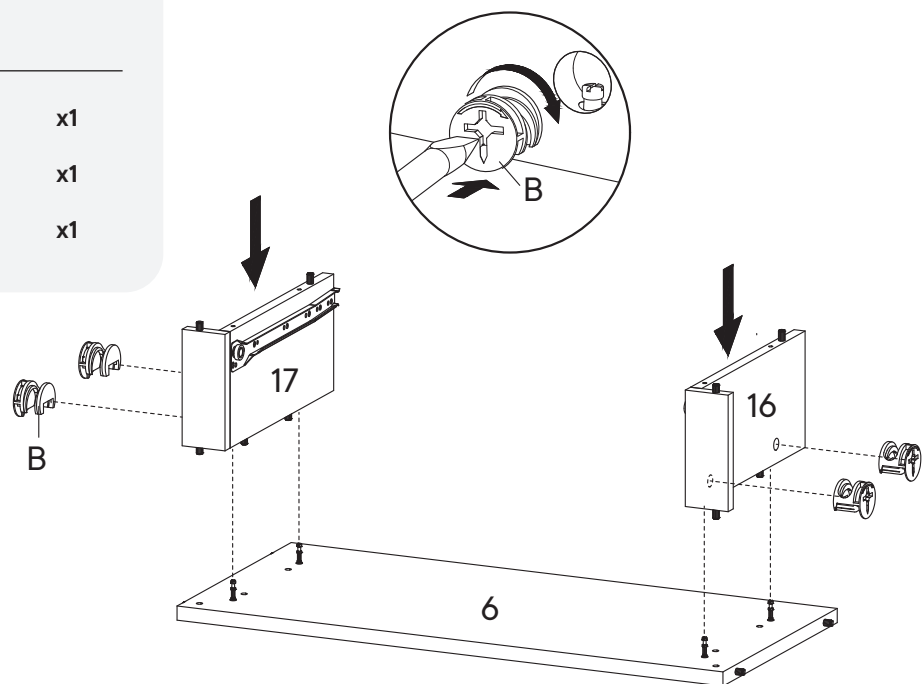
Step 8

HARDWARE

- B** Cam Lock $\varnothing 15$ mm x4

COMPONENTS

- 6** Fixed Shelf x1
- 16** Center Board Left x1
- 17** Center Board Right x1



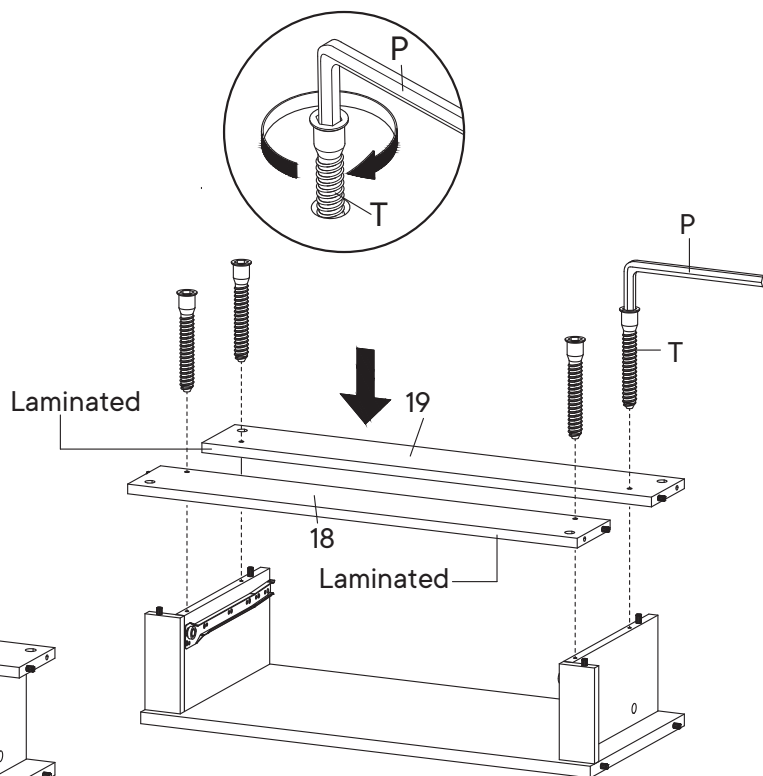
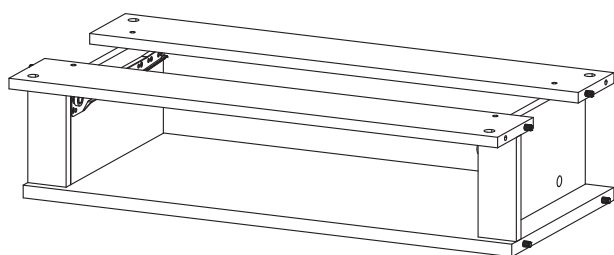
Step 9

HARDWARE

- P** Allen Key x1
- T** Screw M 7 x 50 mm x4

COMPONENTS

- 18** Bottom Skirt 2 x1
- 19** Bottom Skirt 3 x1



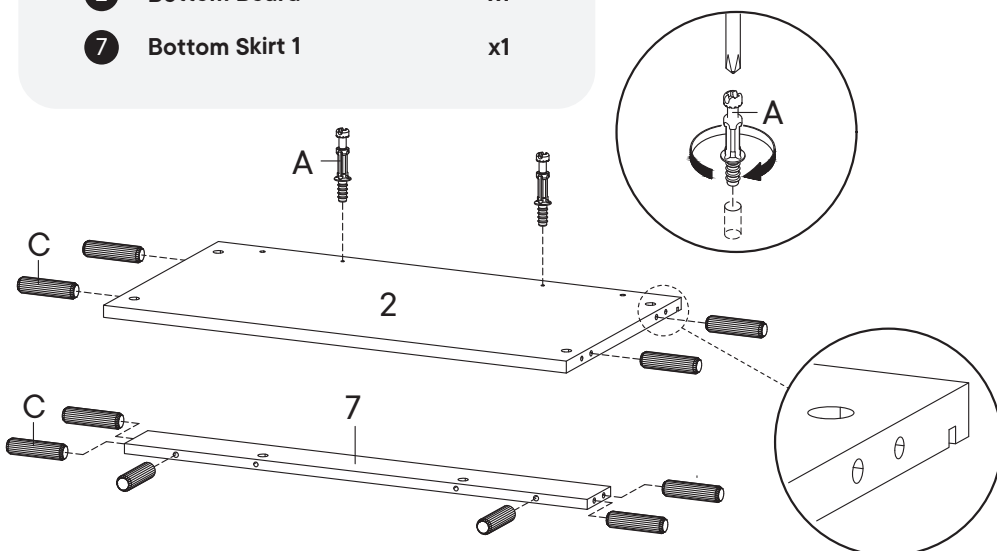
Step 10

HARDWARE

- A** Cam Bolt $\varnothing 6$ x 35 mm x2
- B** Cam Lock $\varnothing 15$ mm x2
- C** Wood Dowel $\varnothing 8$ x 30 mm x10

COMPONENTS

- 2** Bottom Board x1
- 7** Bottom Skirt 1 x1



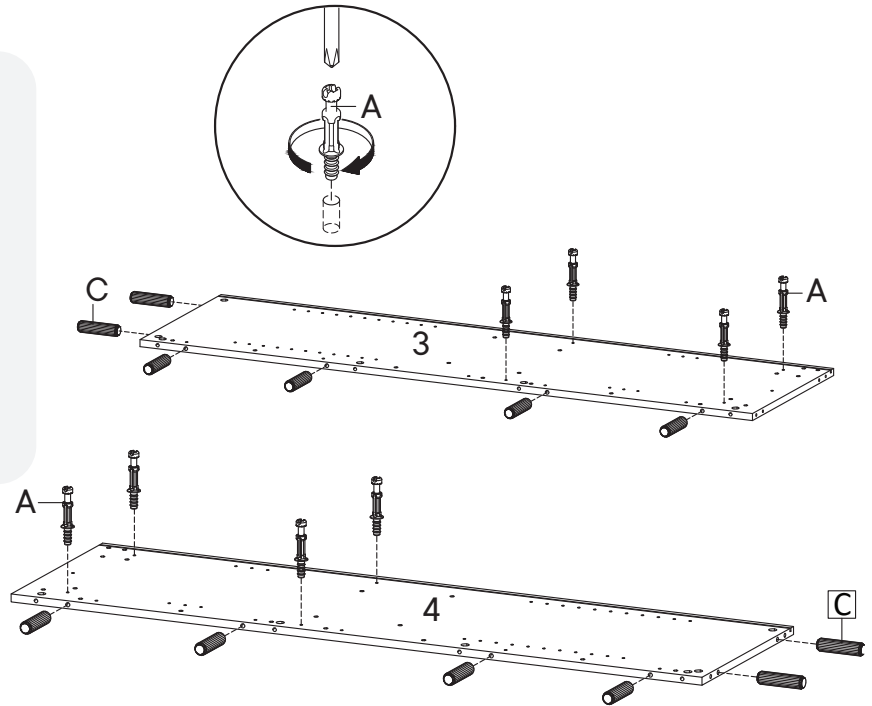
Step 11

HARDWARE

- A** Cam Bolt Ø6 x 35 mm x8
- C** Wood Dowel Ø8 x 30 mm x12

COMPONENTS

- 3** Side Board Left x1
- 4** Side Board Right x1



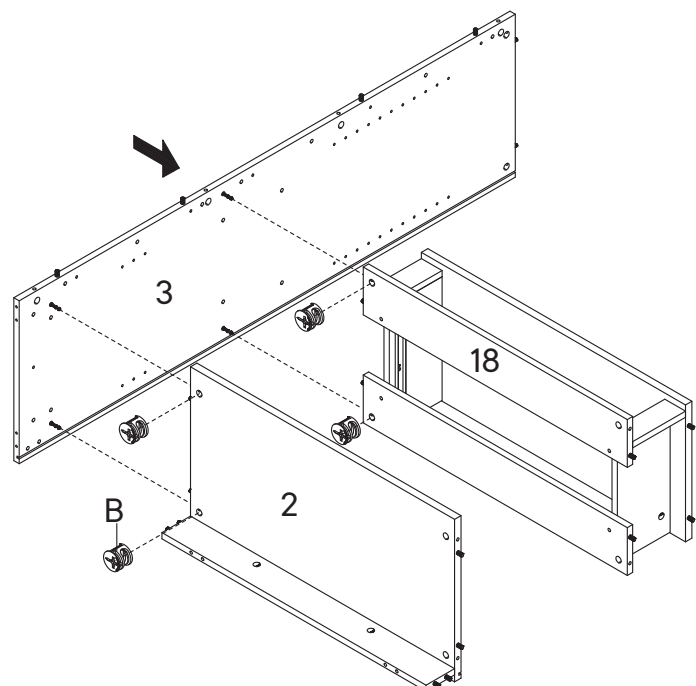
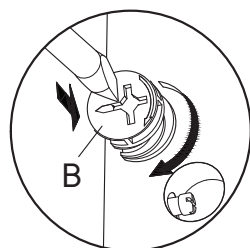
Step 12

HARDWARE

- B** Cam Lock Ø15 mm x4

COMPONENTS

- 2** Bottom Board x1
- 3** Side Board Left x1
- 18** Bottom Skirt 2 x1



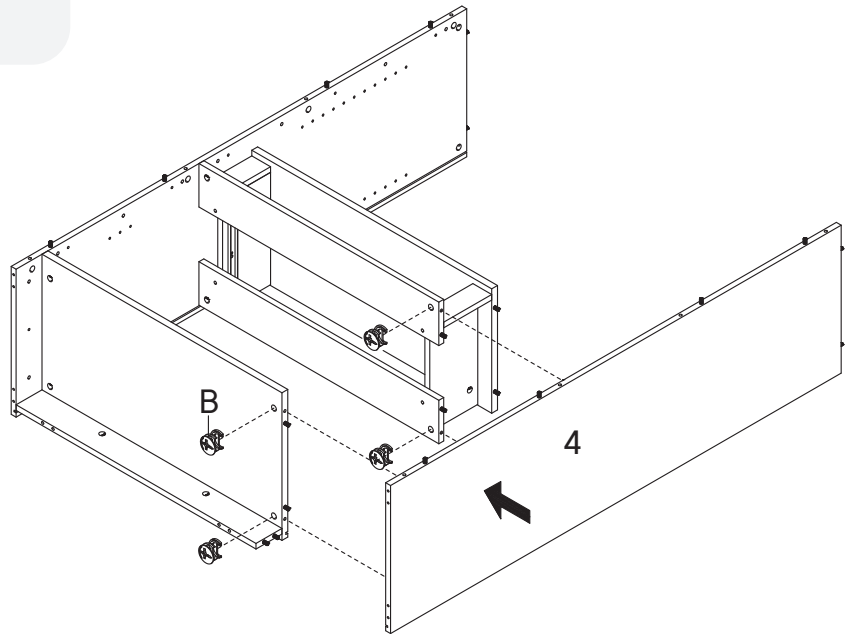
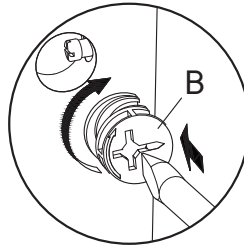
Step 13

HARDWARE

B Cam Lock Ø15 mm x4

COMPONENTS

4 Side Board Right x1



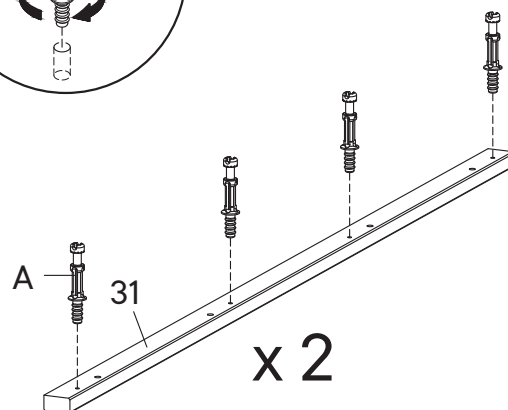
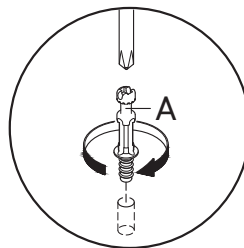
Step 14

HARDWARE

A Cam Bolt Ø6 x 35 mm x8

COMPONENTS

31 Support Board 7 x2



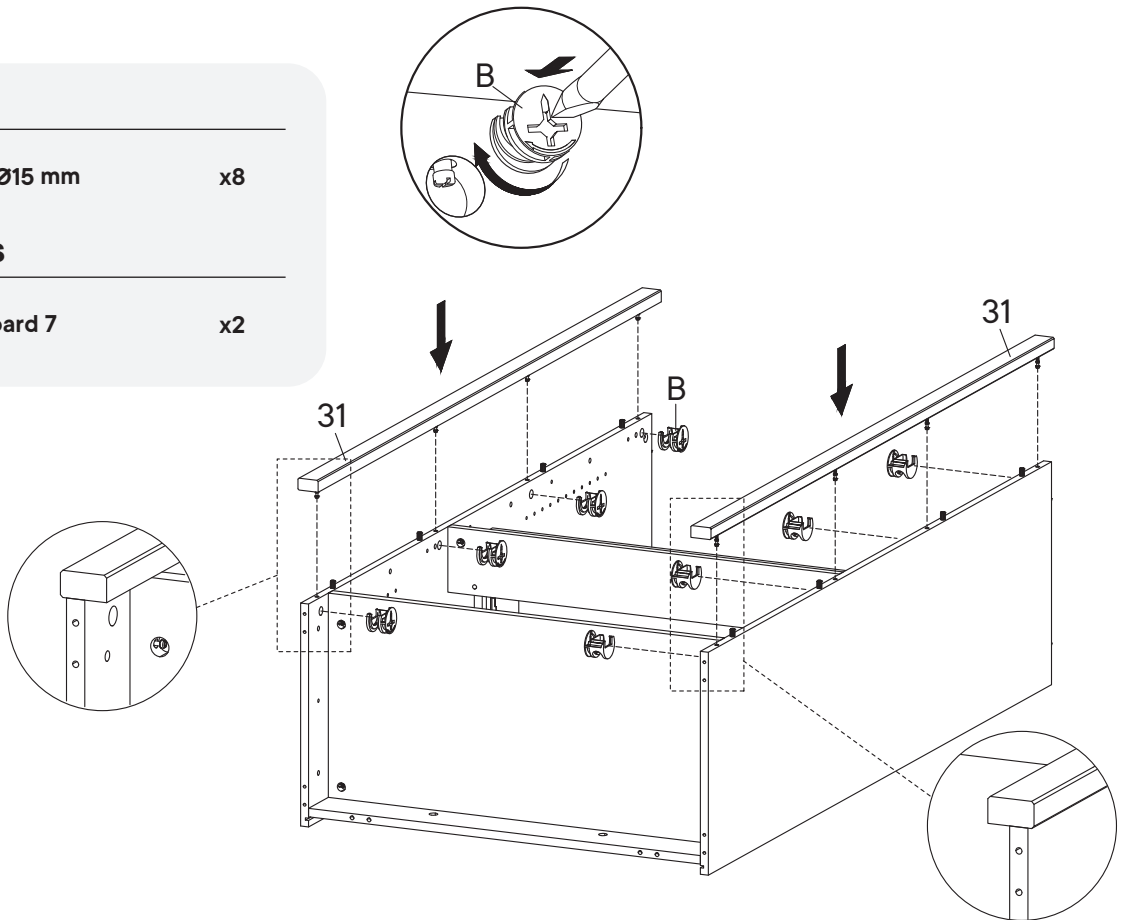
Step 15

HARDWARE

B Cam Lock Ø15 mm x8

COMPONENTS

31 Support Board 7 x2



Step 16

HARDWARE

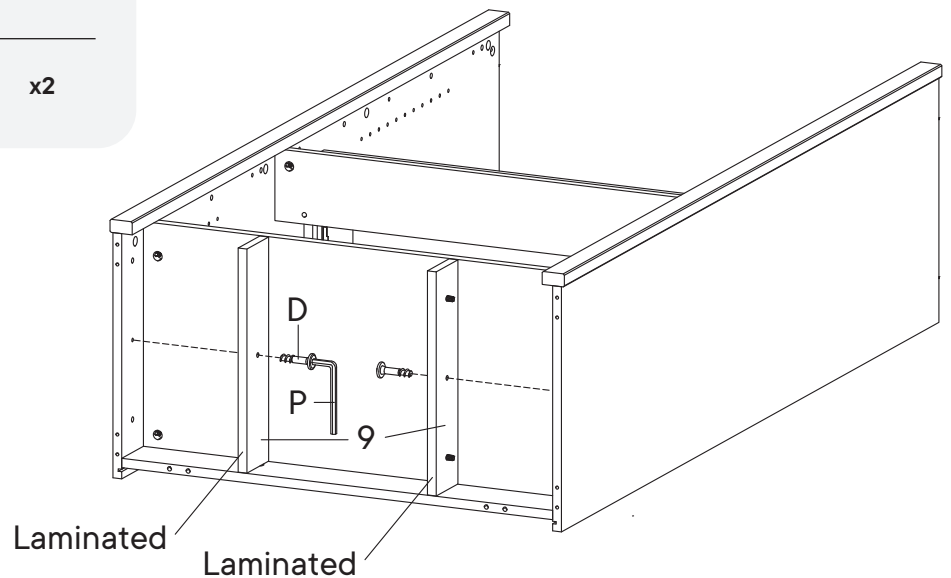
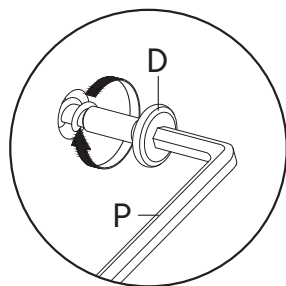
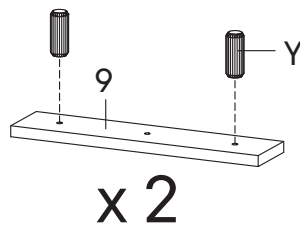
D Screw M 6.4 x 25 mm x2

P Allen Key x1

Y Wood Dowel Ø5 x 20 mm x4

COMPONENTS

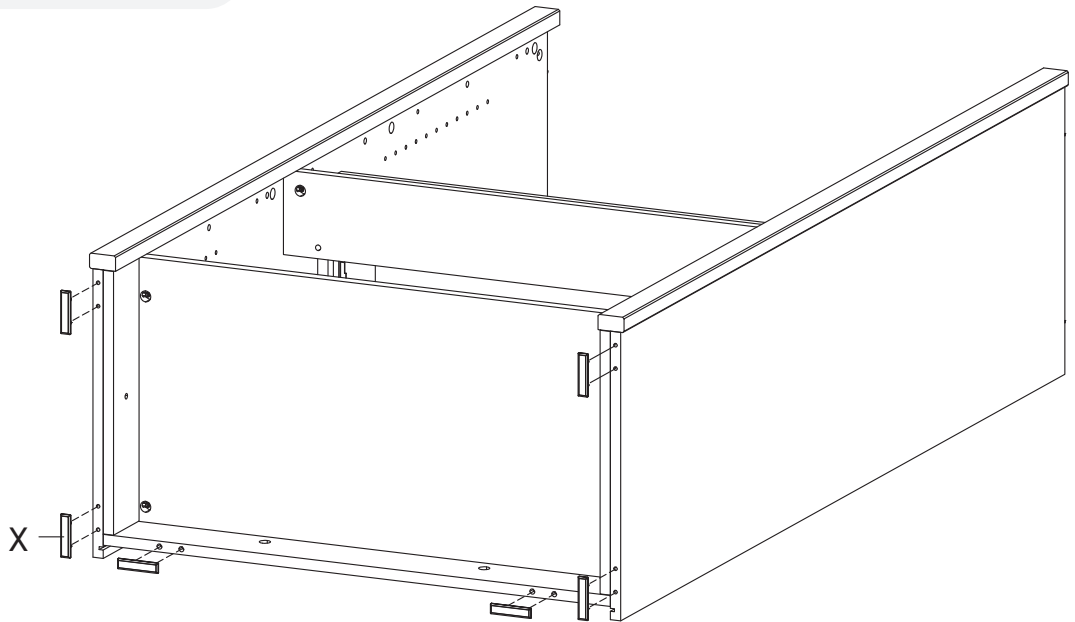
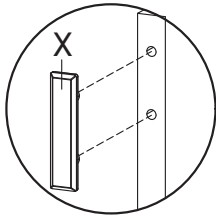
9 Support Board 1 x2



Step 17

HARDWARE

X Floor Glide x6



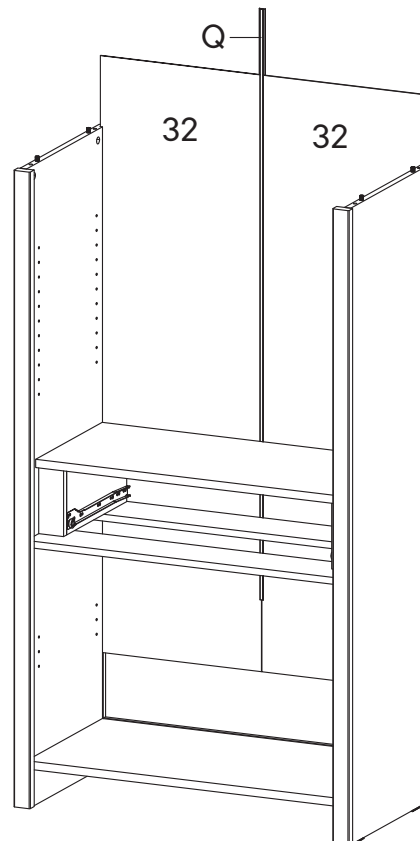
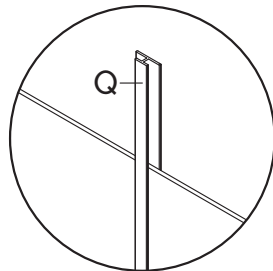
Step 18

HARDWARE

Q Joining Strip x1

COMPONENTS

32 Back Board x2



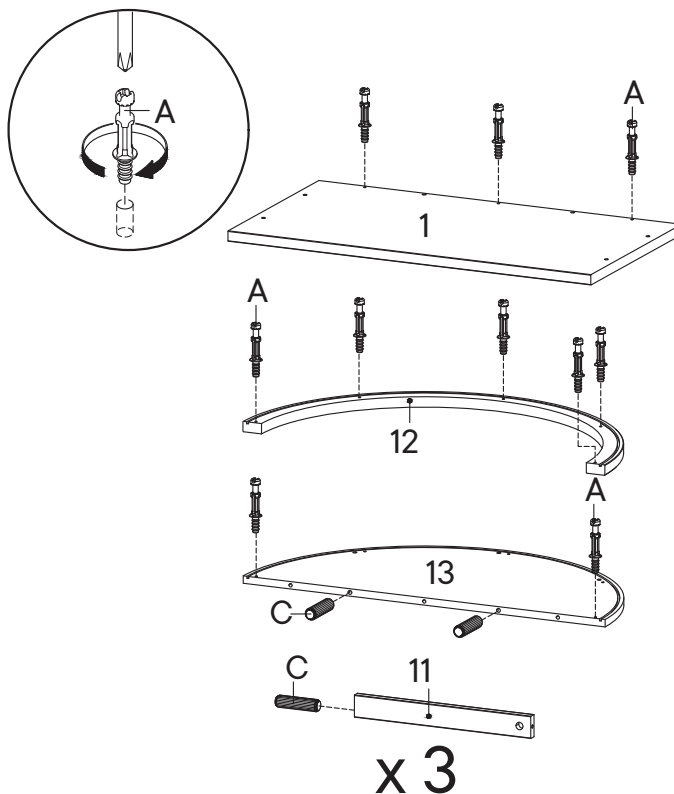
Step 19

HARDWARE

- A** Cam Bolt Ø6 x 35 mm x10
- C** Wood Dowel Ø8 x 30 mm x5

COMPONENTS

- 1** Top Board x1
- 11** Support Board 2 Hutch x3
- 12** Front Board Hutch x1
- 13** Back Board Hutch x1



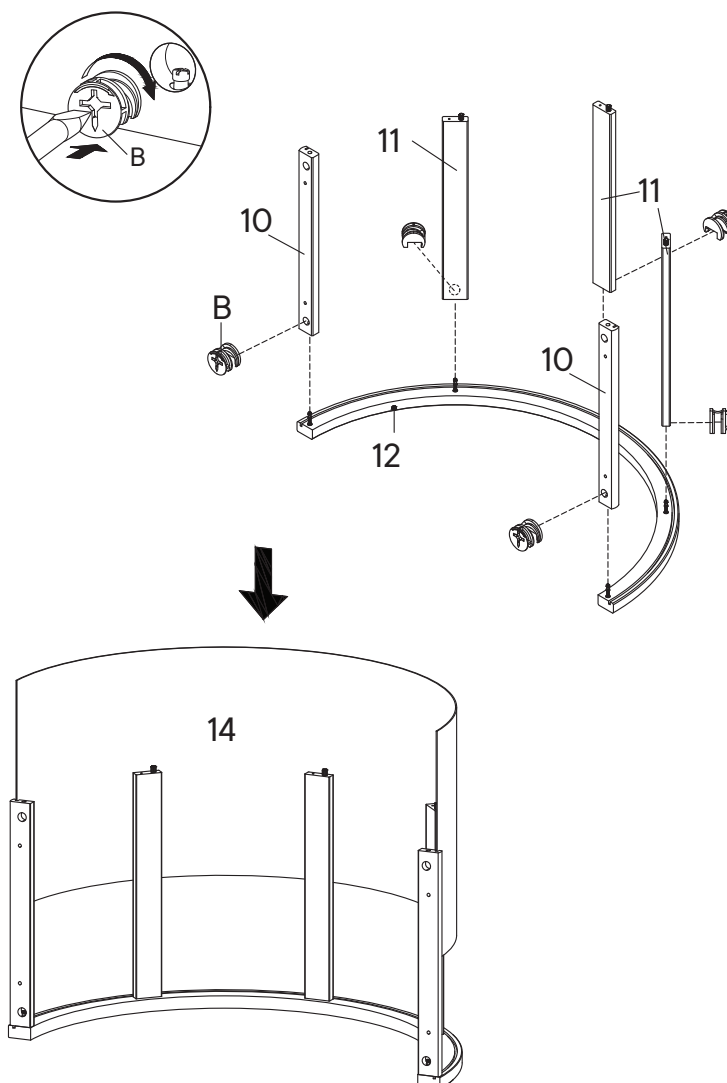
Step 20

HARDWARE

- B** Cam Lock Ø15 mm x5

COMPONENTS

- 10** Support Board 1 Hutch x2
- 11** Support Board 2 Hutch x3
- 12** Front Board Hutch x1
- 14** PVC Board x1



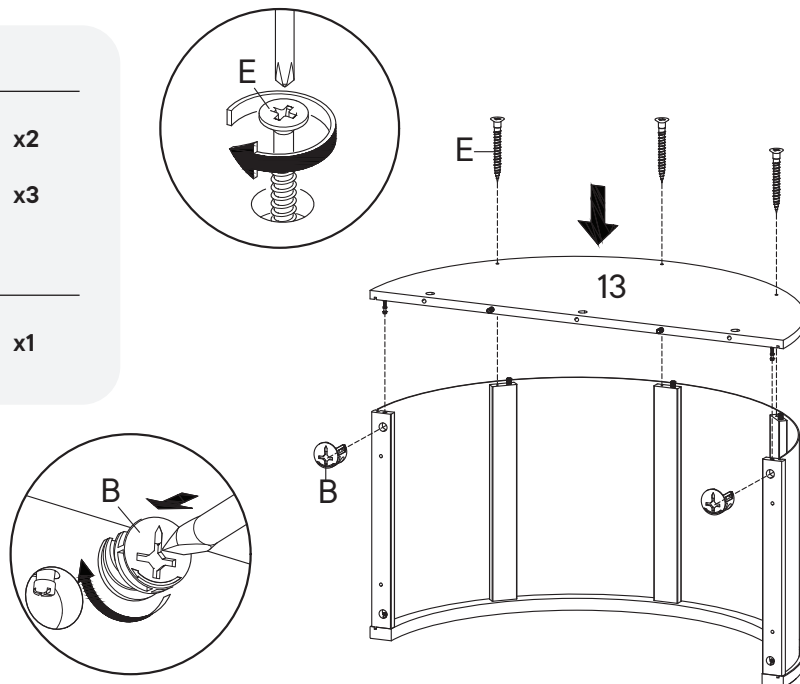
Step 21

HARDWARE

- B** Cam Lock Ø15 mm x2
- E** Screw M 8 x 39 mm x3

COMPONENTS

- 13** Back Board Hutch x1



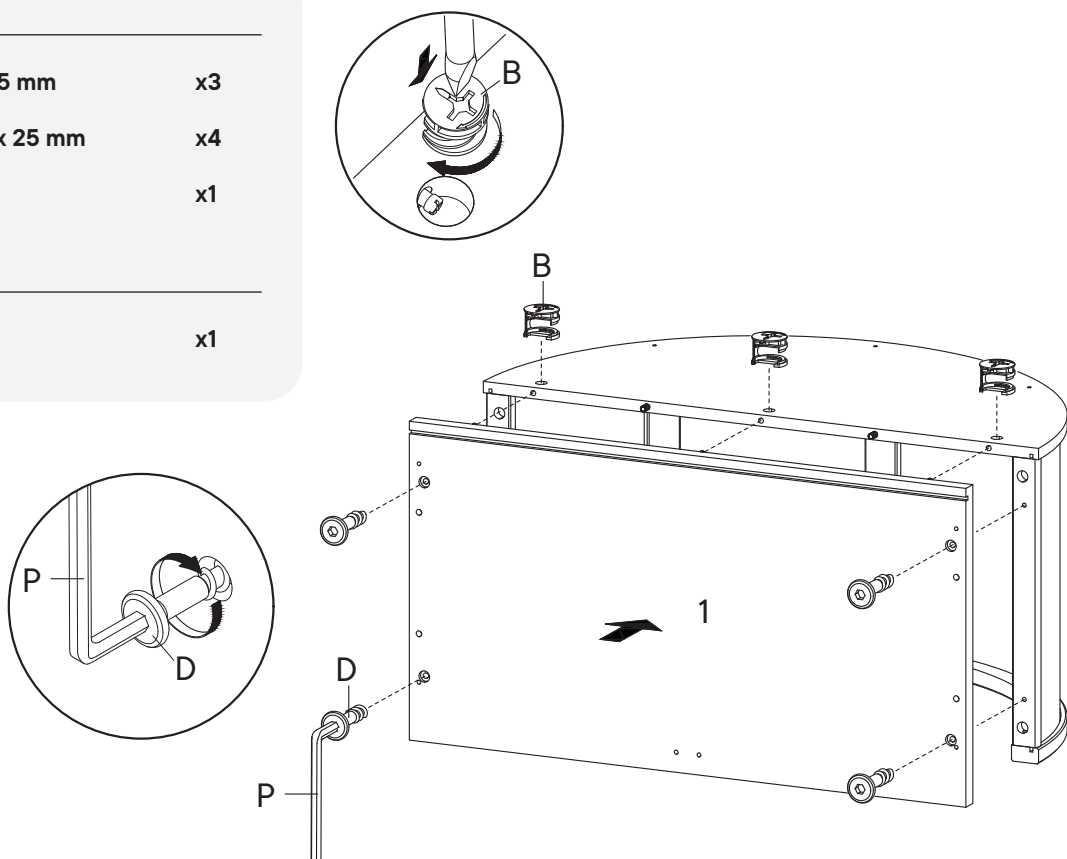
Step 22

HARDWARE

- B** Cam Lock Ø15 mm x3
- D** Screw M 6.4 x 25 mm x4
- P** Allen Key x1

COMPONENTS

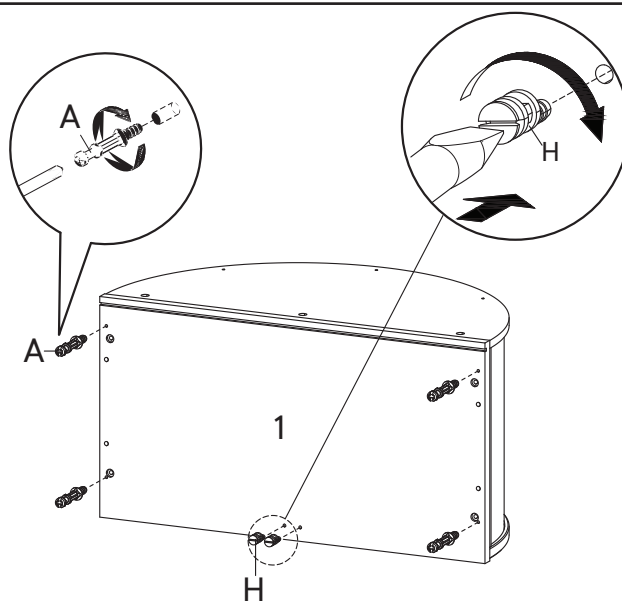
- 1** Top Board x1



Step 23

HARDWARE

- A** Cam Bolt $\varnothing 6 \times 35$ mm x4
- H** Stopper x2



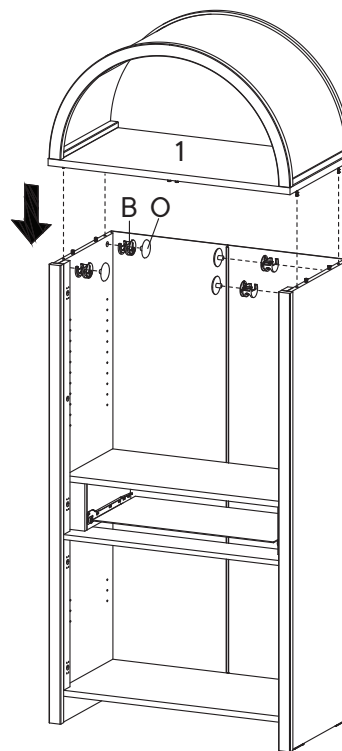
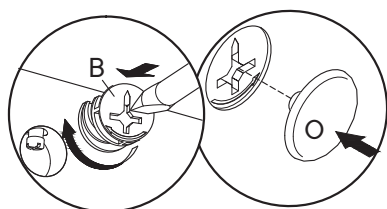
Step 24

HARDWARE

- B** Cam Lock $\varnothing 15$ mm x4
- O** Screw Cap $\varnothing 15$ mm x3

COMPONENTS

- 1** Top Board x1



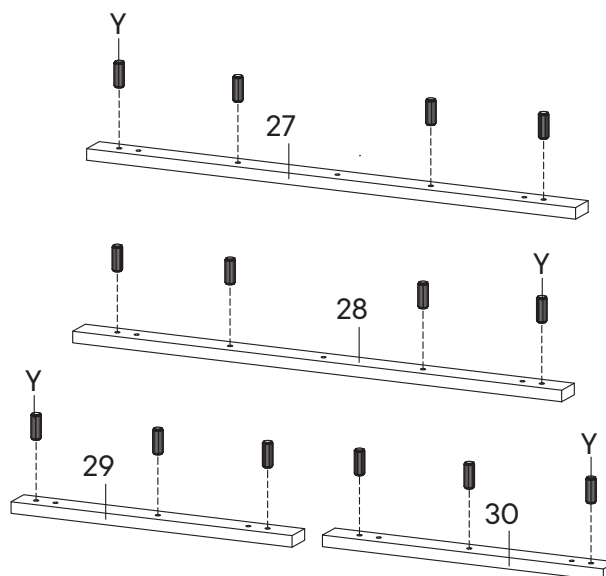
Step 25

HARDWARE

- Y** Wood Dowel $\varnothing 5 \times 20$ mm x14

COMPONENTS

- 27** Support Board 3 x1
- 28** Support Board 4 x1
- 29** Support Board 5 x1
- 30** Support Board 6 x1



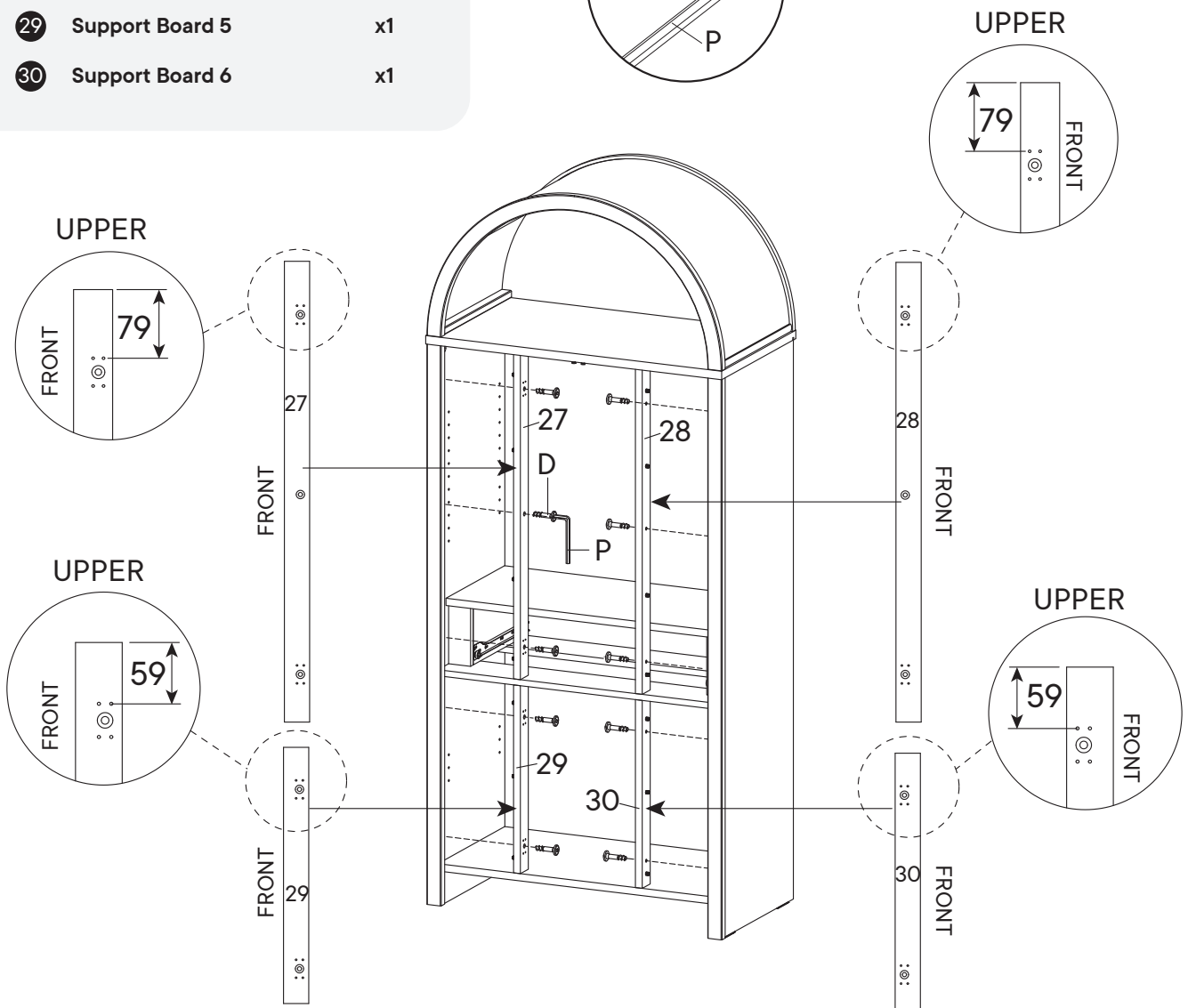
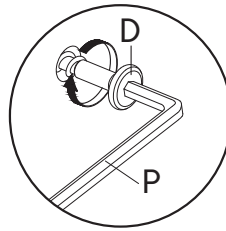
Step 26

HARDWARE

- D** Screw M 6.4 x 25 mm x10
- P** Allen Key x1

COMPONENTS

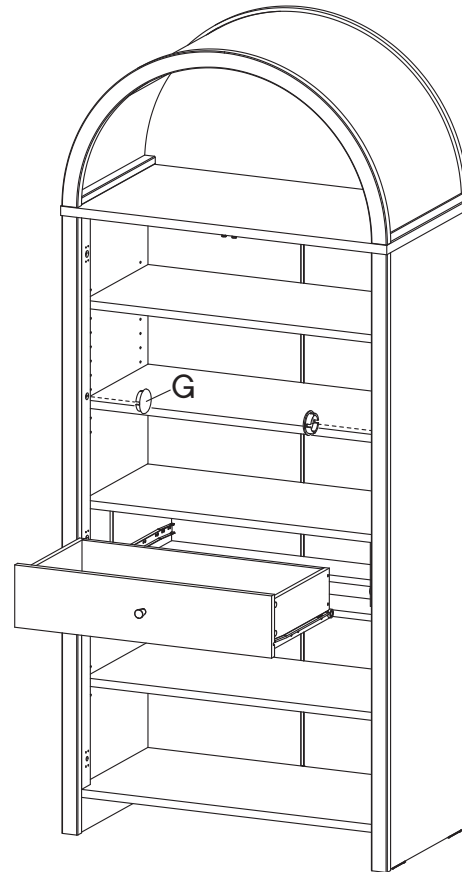
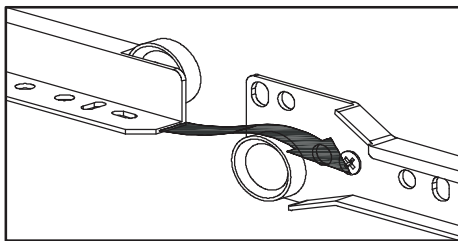
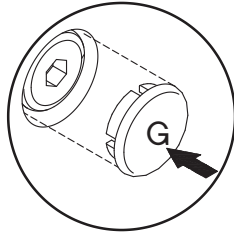
- 27** Support Board 3 x1
- 28** Support Board 4 x1
- 29** Support Board 5 x1
- 30** Support Board 6 x1



Step 27

HARDWARE

- G** Screw Cap Ø15 mm x2



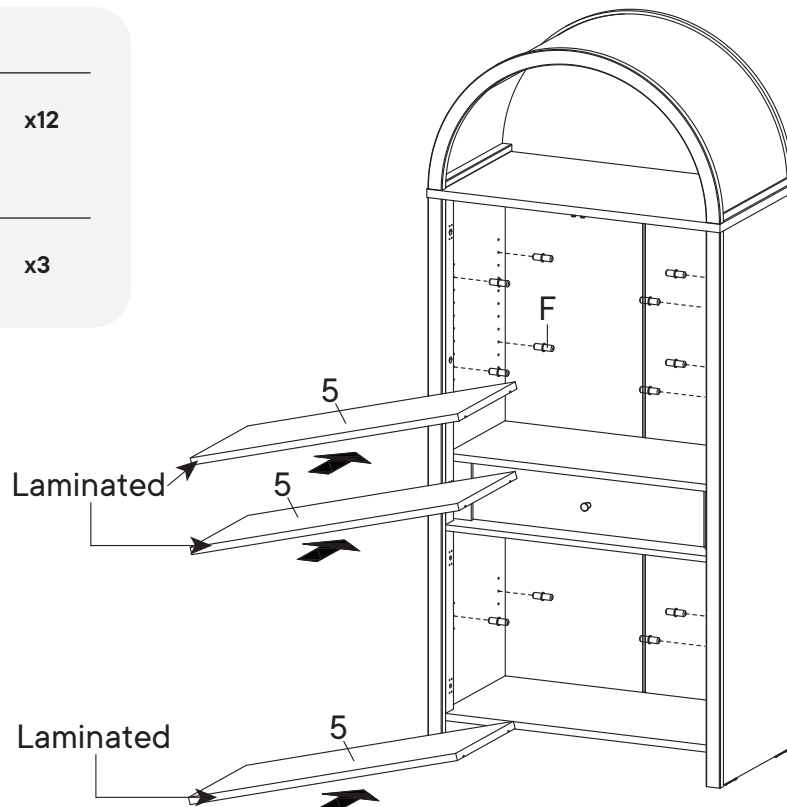
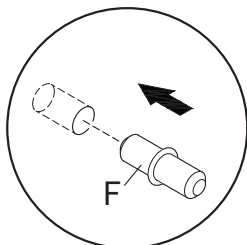
Step 28

HARDWARE

- F** Shelf Pin x12

COMPONENTS

- 5** Adjustable Shelf x3



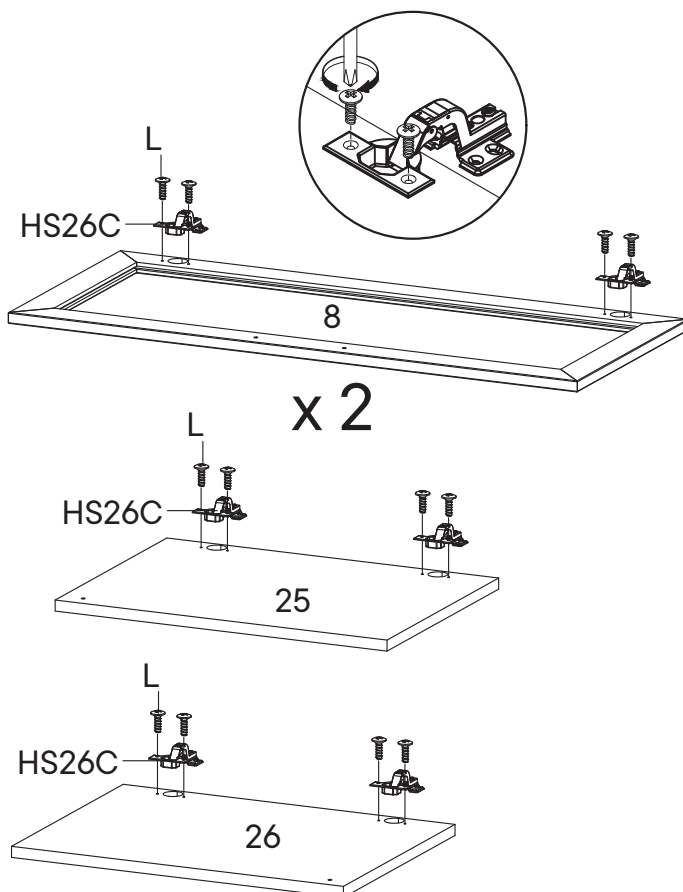
Step 29

HARDWARE

- L** Screw M 4.5 x 12.5 mm x16
- HS26C** Hinge x8

COMPONENTS

- 8** Frame Door x2
- 25** Door Left x1
- 26** Door Right x1



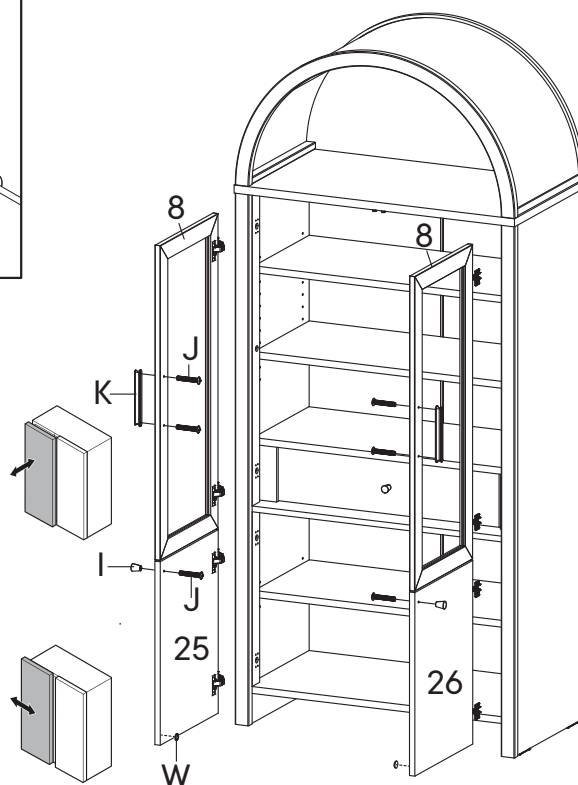
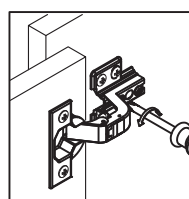
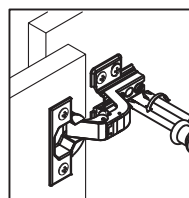
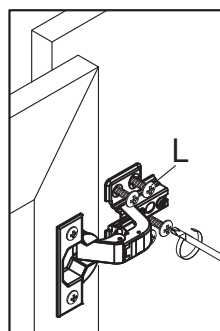
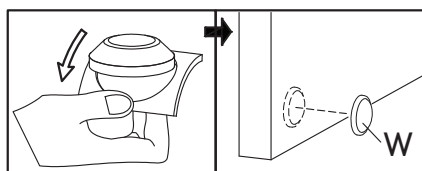
Step 30

HARDWARE

- I** Handle x2
- J** Screw M 4 x 20 mm x6
- L** Screw M 4.5 x 12.5 mm x32
- K** Handle x2
- W** Silicon Bumper x2

COMPONENTS

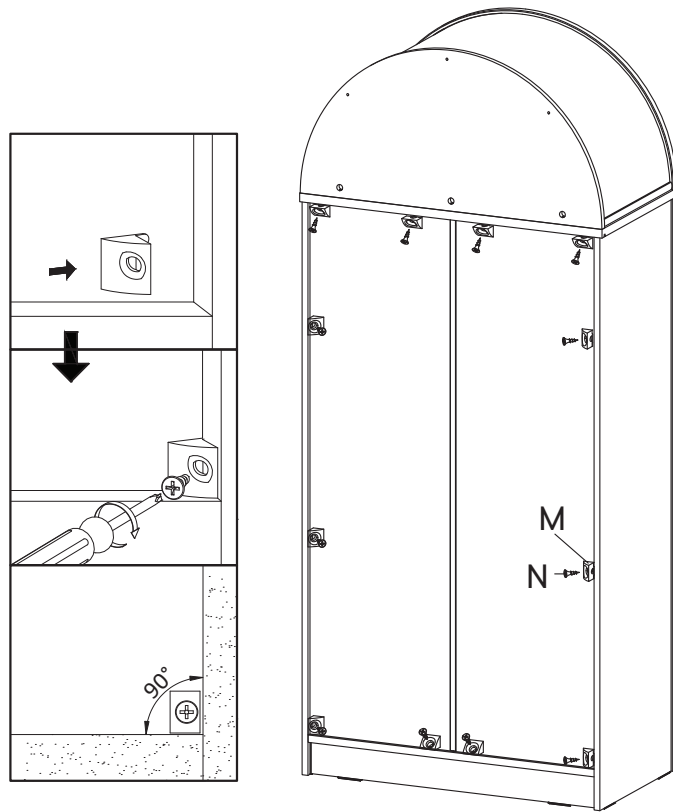
- 8** Frame Door x2
- 25** Door Left x1
- 26** Door Right x1



Step 31

HARDWARE

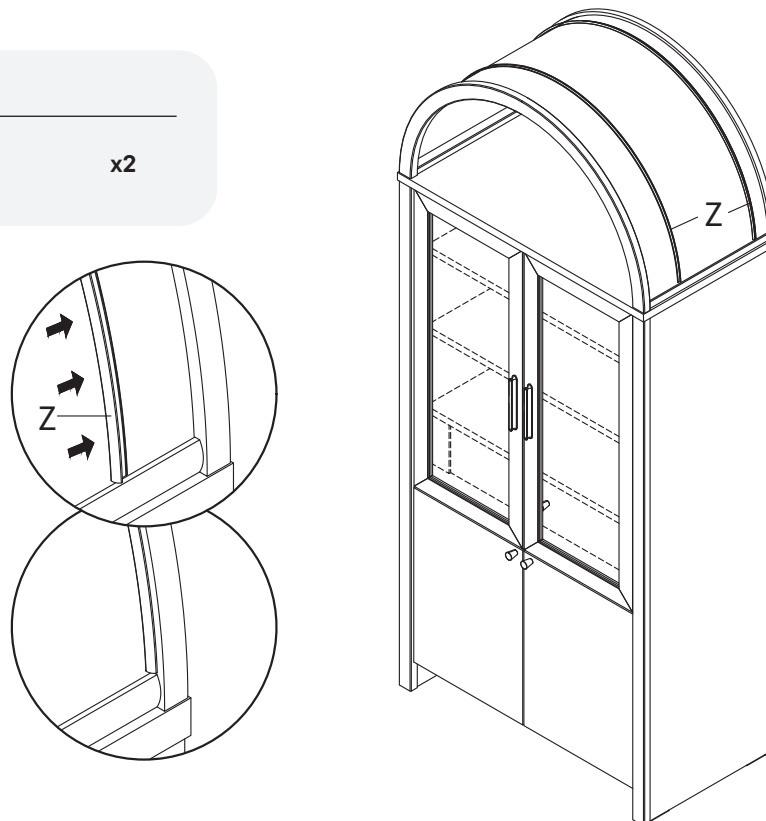
- M** Wedge x12
- N** Screw M 3.5 x 15.5 mm x12



Step 32

HARDWARE

- Z** Rubber x2



Great job!

Bookcase assembly is complete.

♥ CARING FOR YOUR ITEM

Indoor use only.

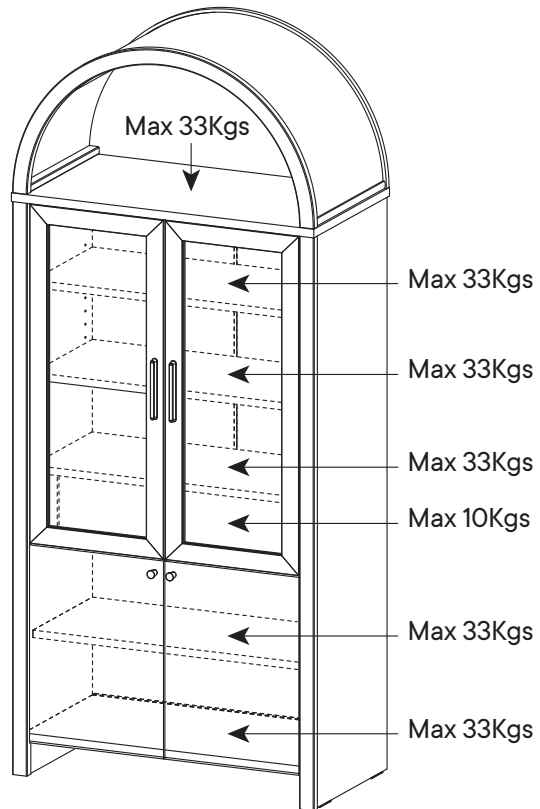
Not contract grade.

Clean using a non-abrasive cloth and a mild cleaner.

Never use harsh chemicals, as they could damage the finish or integrity of the item.

CONNECT WITH US!   

Tag us @modway_furniture and #modway for a chance to be featured.

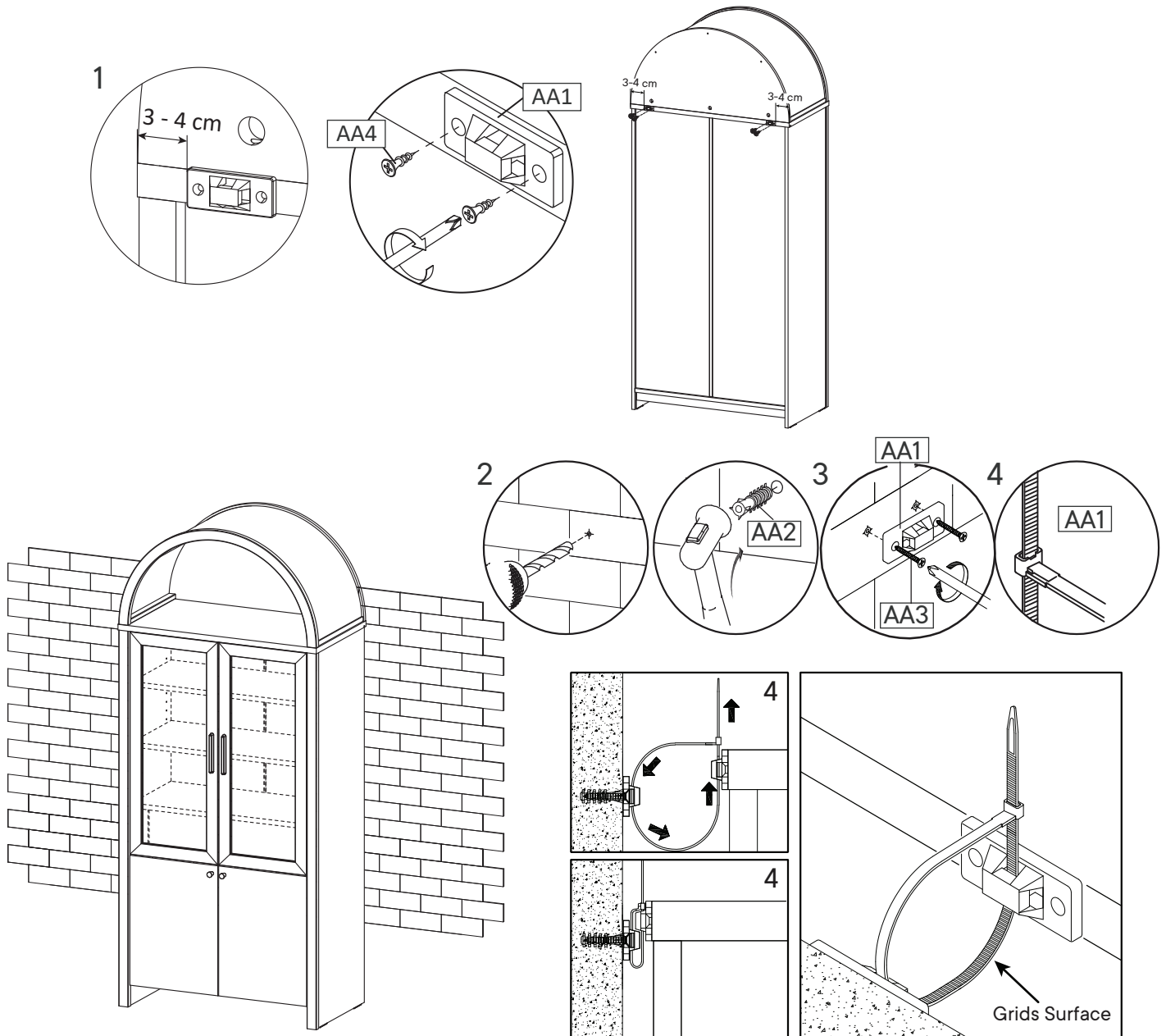
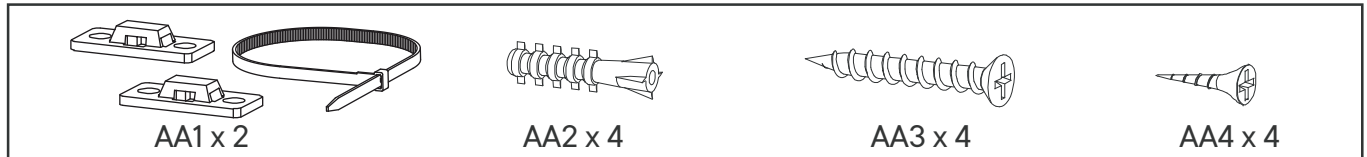


TIPPING RESTRAINTS KIT INSTALLATION GUIDANCE

Different wall materials require unique wall fasteners.

The wall plugs (AA2) and screws (AA3) are designed for fixing to concrete walls only.

Please consult your local hardware store to ensure you are using the correct hardware for you wall type.



Installation Instructions :

1. Attach bracket (AA1) securely to the back top of the furniture using screw (AA4) provided. Allow 3 - 4 cm from each side.
2. Please make a hole for wall plugs position on the wall and minimum 15 mm below bracket secured to the back of unit attach the wall plugs (AA2).
3. Locate the other bracket (AA1) on the wall over wall plugs (AA2). Place furniture into position so both brackets (AA1) are vertically in the line.
4. Lace the end of the restraints strap through the larger hole in each bracket. Ensure the restraints strap with grids surface facing the inner loops. Bring both ends together and slide the flat end through the locking end and draw it through until all slack is removed.
5. Make sure that the strap is securely laced & locked.