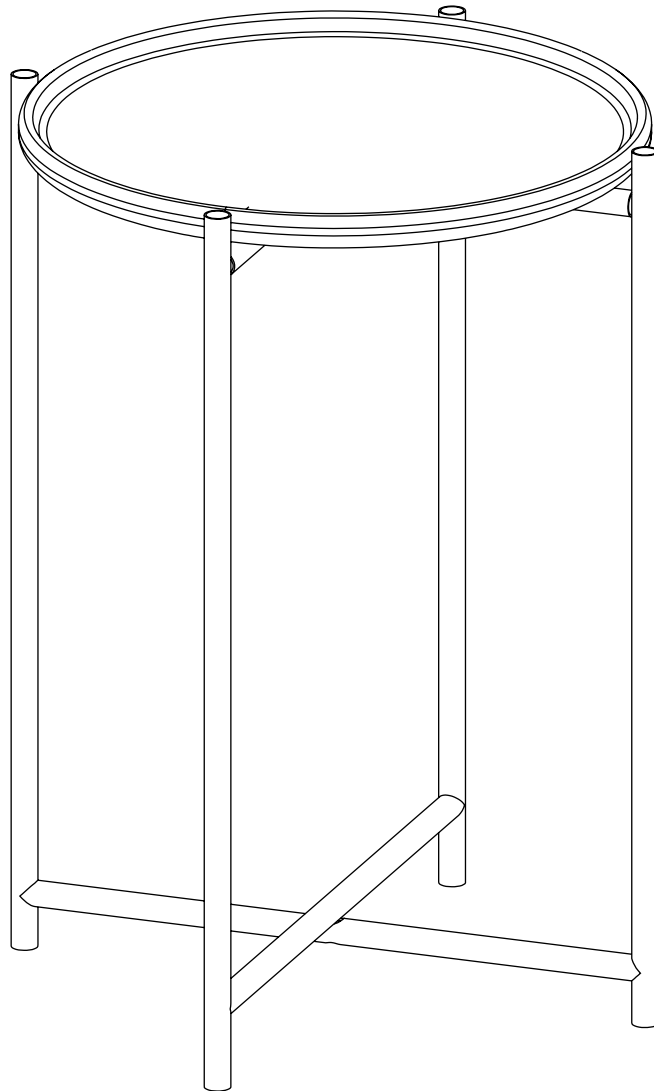


# ASSEMBLY INSTRUCTIONS

# EEI-6832

V0.12.12.23



**Questions? Contact us!**

609.256.9000 • [cs@modway.com](mailto:cs@modway.com)  
[www.modway.com](http://www.modway.com)

**\*modway**

# Let's get started!

**\*modway**



Read through all of the instructions before starting



Care instructions are listed in the last step of this manual



Approx. 20 minutes assembly time



Make sure you have all parts and components before discarding any packing materials



1 people recommended for assembly

**Only use hand tools to assemble this item.** Do not use power tools. Do not tighten bolts or screws completely until all hardware is lined up and inserted into the holes.

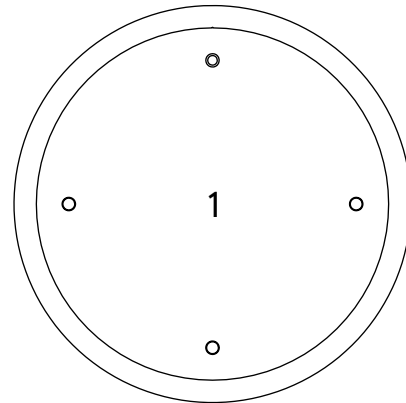
Do not over-tighten screws and bolts to avoid stripping the hardware or cracking the item.

Assemble your item on a flat, carpeted area, with plenty of space to work. This will prevent damage and scratches to your floors or the item while you're assembling the product.




Keep all components and packaging out of reach of children or animals to avoid risk of choking or suffocation.

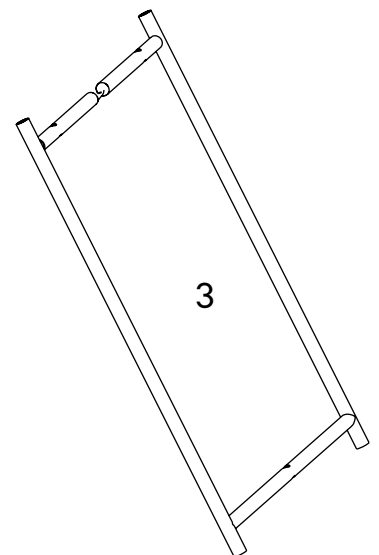
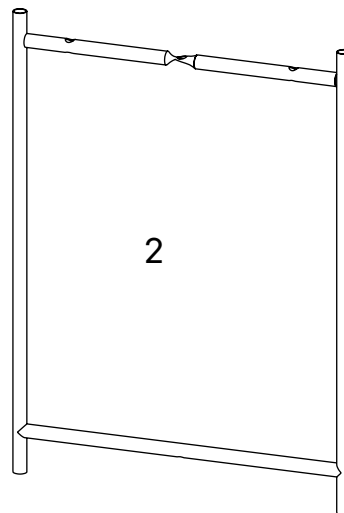
## Furniture components:

1	Top Panel	x1
2	Leg	x1
3	Leg	x1



## Provided hardware:

A	 Allen Key M4	x1
B	 JCB Bolt M6 x 25mm	x5
C	 JCB Bolt M6 x 10mm	x1



**Wait!**

Missing parts or hardware? Need assistance?  
Contact us before returning your item. We're here to help!  
609.256.9000 • [cs@modway.com](mailto:cs@modway.com)

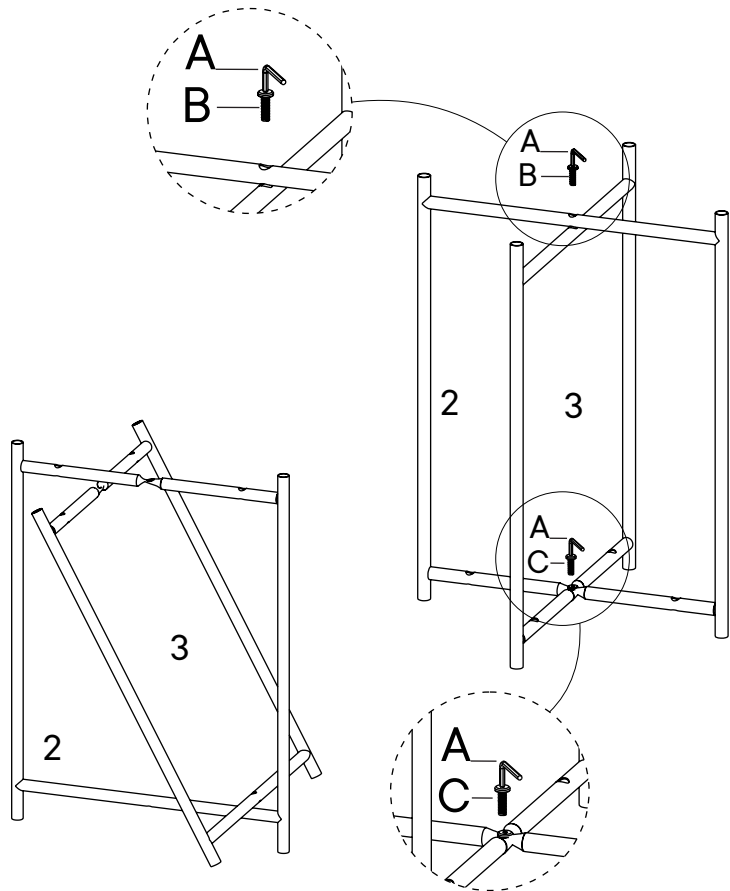
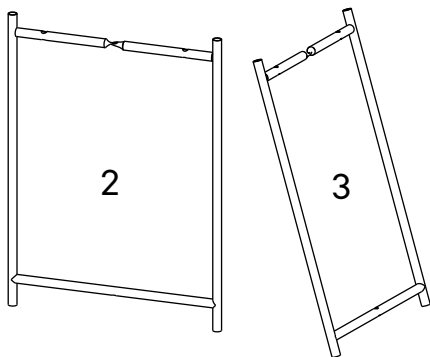
# Step 1

## COMPONENTS

- 2** Leg x1
- 3** Leg x1

## HARDWARE

- A** Allen Key M4 x1
- B** JCB Bolt M6 x 25 mm x1
- C** JCB Bolt M6 x 10 mm x1



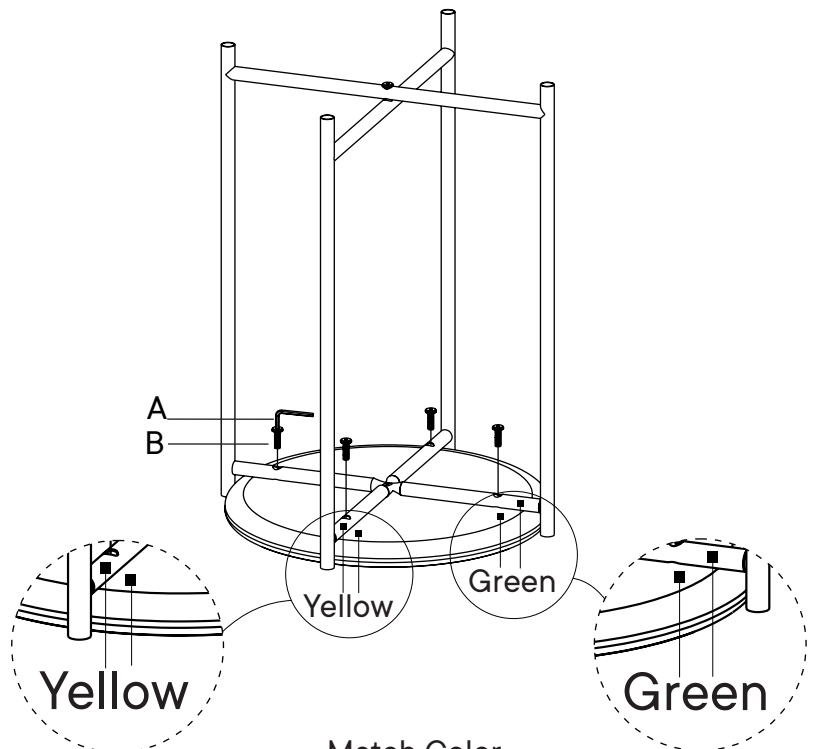
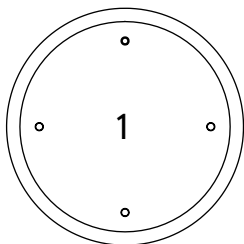
# Step 2

## COMPONENTS

- 1** Top Panel x1

## HARDWARE

- A** Allen Key M4 x1
- B** JCB Bolt M6 x 25 mm x4



Match Color  
With Attachment

# Great job!

End Table assembly is complete

## ♥ CARING FOR YOUR ITEM

Indoor use only.

Not contract grade.

Clean using a non-abrasive cloth and a mild cleaner.

Never use harsh chemicals, as they could damage the finish or integrity of the item.

CONNECT WITH US!   

Tag us @modway\_furniture and #modway for a chance to be featured.

