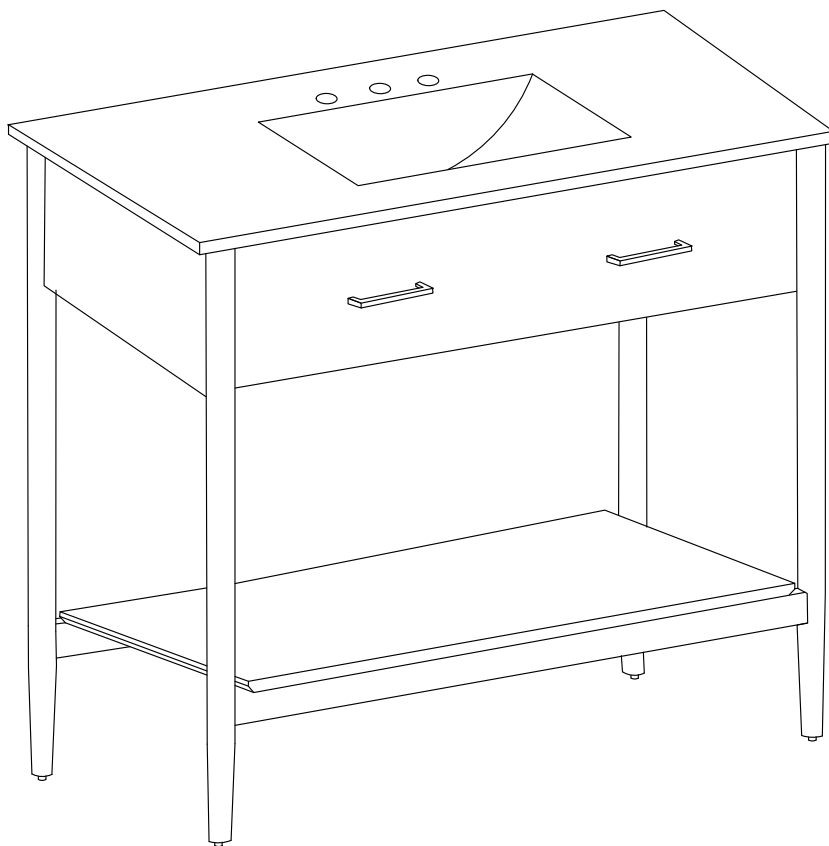


ASSEMBLY INSTRUCTIONS

EEI-6354

V1.02.02.23



Questions? Contact us!

609.256.9000 • cs@modway.com
www.modway.com

***modway**

Let's get started!

***modway**



Read through all of the instructions before starting



Care instructions are listed in the last step of this manual



Approx. 60 minutes assembly time



Make sure you have all parts and components before discarding any packing materials



2 people recommended for assembly

Only use hand tools to assemble this item. Do not use power tools. Do not tighten bolts or screw completely until all hardware is lined up and inserted into the holes.

Do not over-tighten screw and bolts to avoid stripping the hardware or cracking the item.

For vanity and plumbing installation, we suggest hiring a professional contractor and plumber.

Assemble your item on a flat carpeted area, with plenty of space to work. This will prevent damage and scratches to your floors or the item while you're assembling the product.

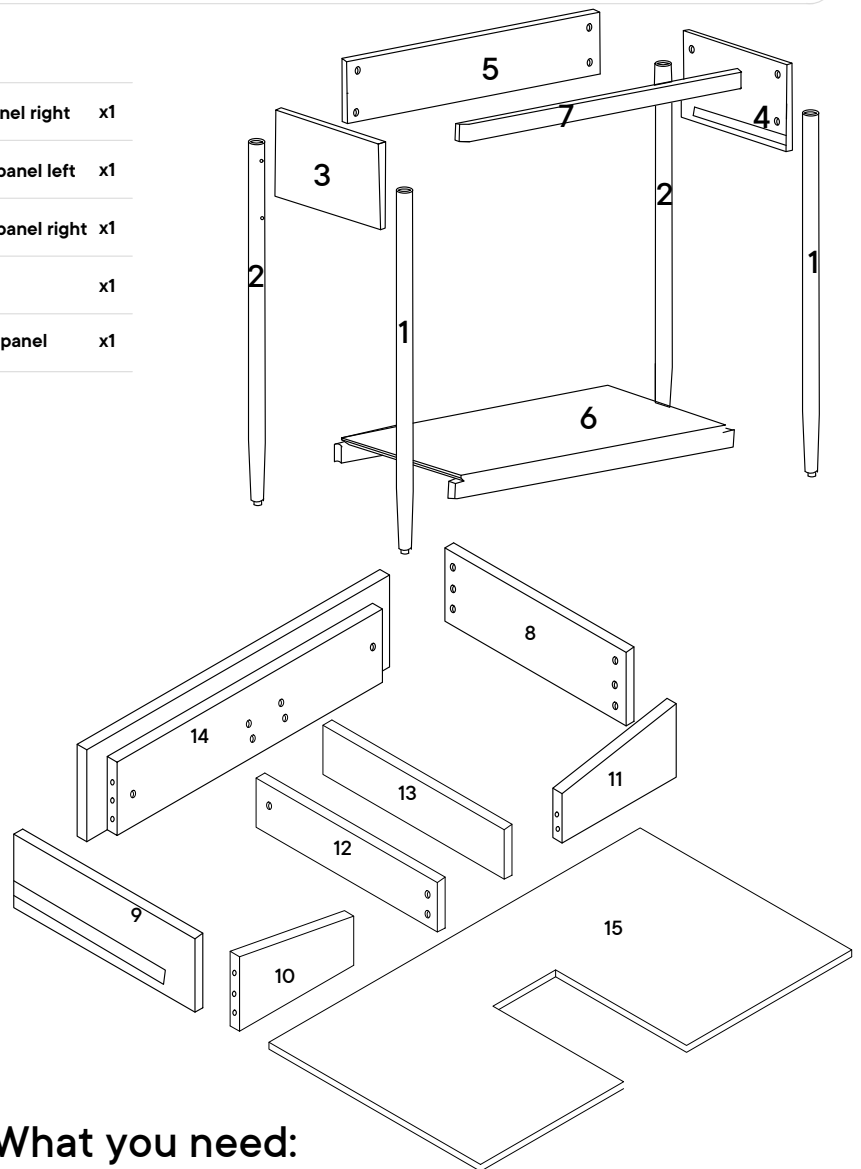
Keep all components and packaging out of reach of children or animals to avoid risk of choking or suffocation.

Furniture components:

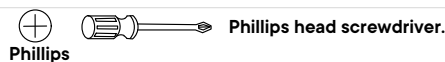
1	Leg front	x2	11	Drawer back panel right	x1
2	Leg back	x2	12	Drawer middle panel left	x1
3	Side panel left	x1	13	Drawer middle panel right	x1
4	Side panel right	x1	14	Drawer front	x1
5	Back panel	x1	15	Drawer bottom panel	x1
6	Bottom panel	x1			
7	Front support	x1			
8	Drawer side panel right	x1			
9	Drawer side panel left	x1			
10	Drawer back panel left	x1			

Provided hardware:

A		Wood dowel Ø8 x 40mm	x28
B		Cam lock Ø15mm	x24
C		Cam bolt M6 x 40mm	x24
D		Handle	x2
E		Screw M4 x 37mm	x4
F		Screw M4 x 16mm	x16
G		Metal bracket	x4
H		Pan head screw M4 x 16mm	x6
I		Drawer channel (pre assembled)	x2
J		Leveler (pre assembled)	x4
K		Felt (pre assembled)	x4



What you need:



You may also need:

- + Power Drill
- + Level
- + Silicone Adhesive or caulk
- + Drywall Anchors and Screws
- + Other Wall-Mounting Hardware

Wait!

Missing parts or hardware? Need assistance?
Contact us before returning your items. We're here to help!
609.256.9000 . cs@modway.com

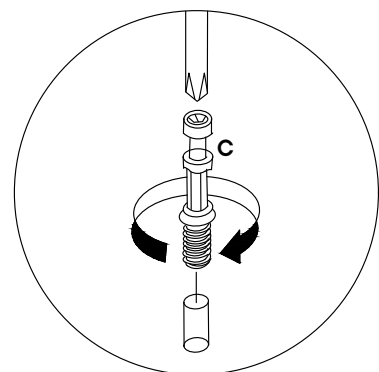
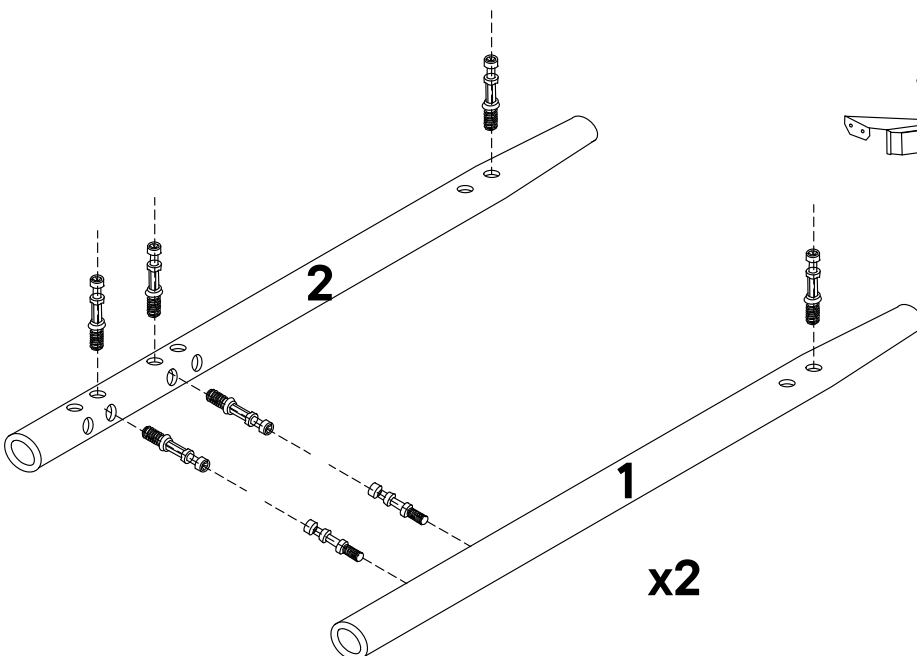
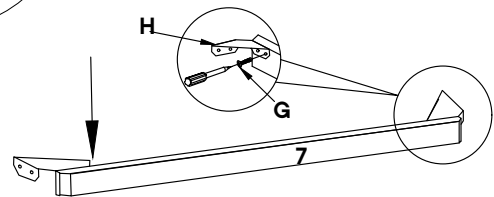
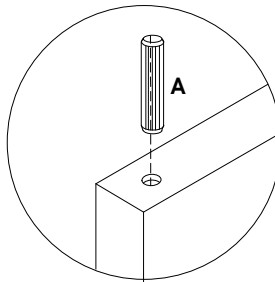
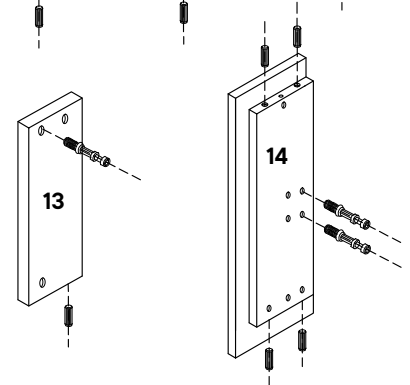
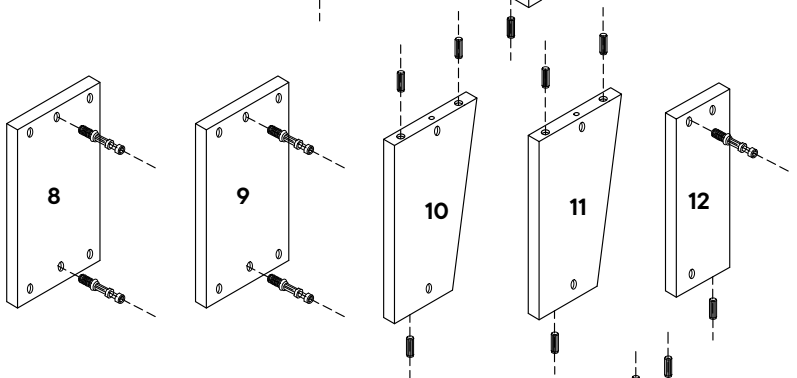
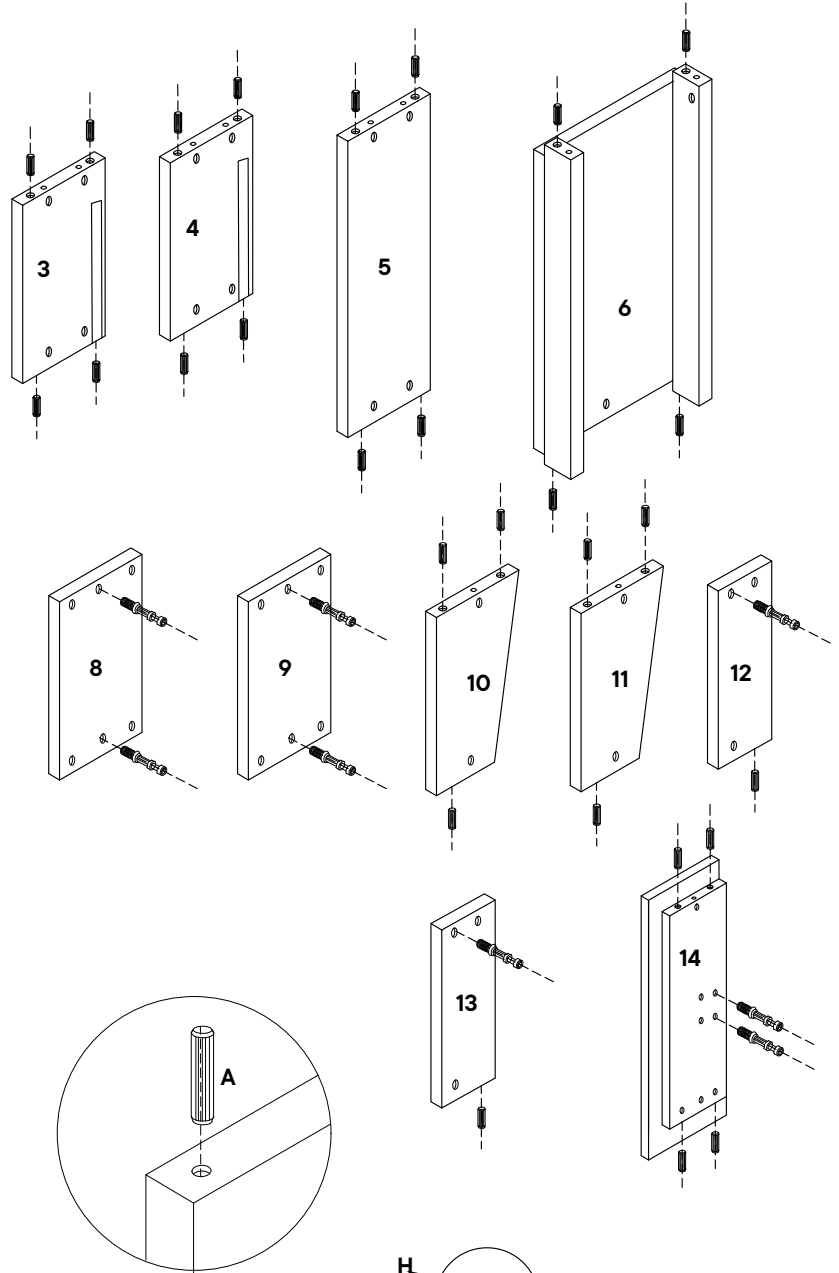
Step 1

HARDWARE

A	Wood dowel Ø8 x 40mm	x28
C	Cam bolt M6 x 40mm	x24
F	Screw M4 x 16mm	x4
G	Metal bracket	x2

COMPONENTS

1	Leg front	x2
2	Leg back	x2
3	Side panel left	x1
4	Side panel right	x1
5	Back panel	x1
6	Bottom panel	x1
7	Front frame	x1
8	Drawer side panel left	x1
9	Drawer side panel right	x1
10	Drawer back panel left	x1
11	Drawer back panel right	x1
12	Drawer middle panel left	x1
13	Drawer middle panel right	x1
14	Drawer front	x1



Step 2

HARDWARE

B Cam lock Ø15mm x8

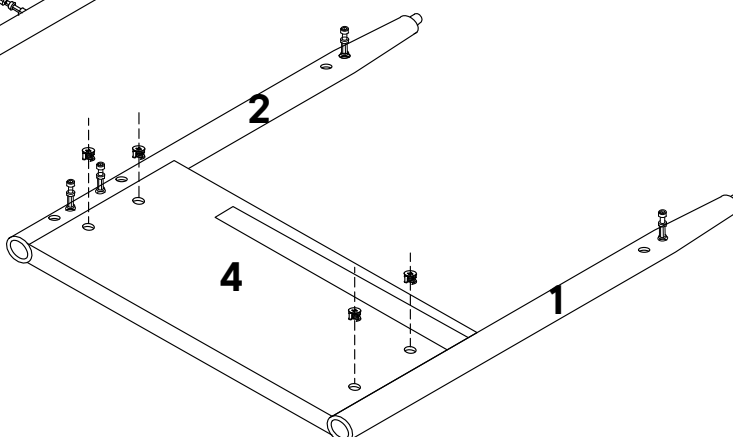
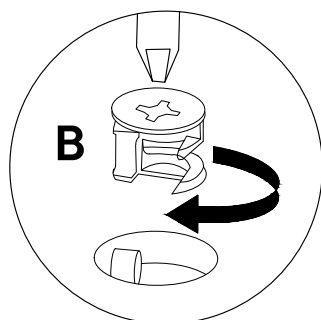
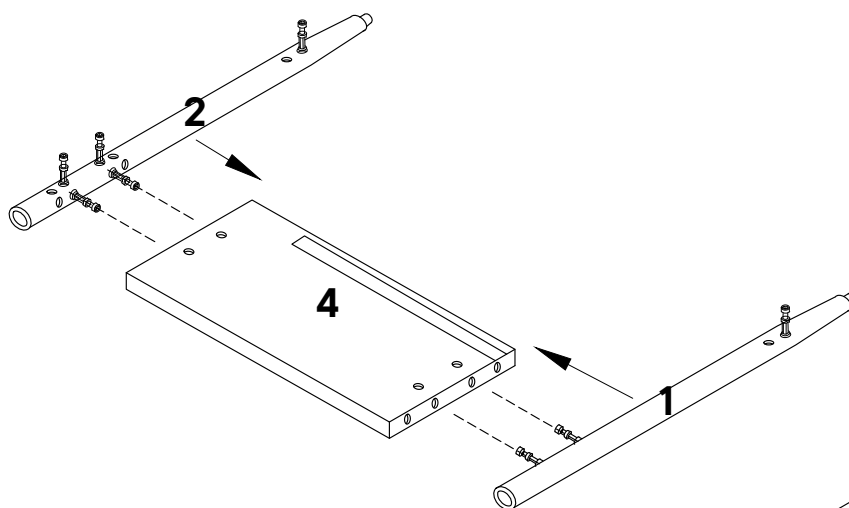
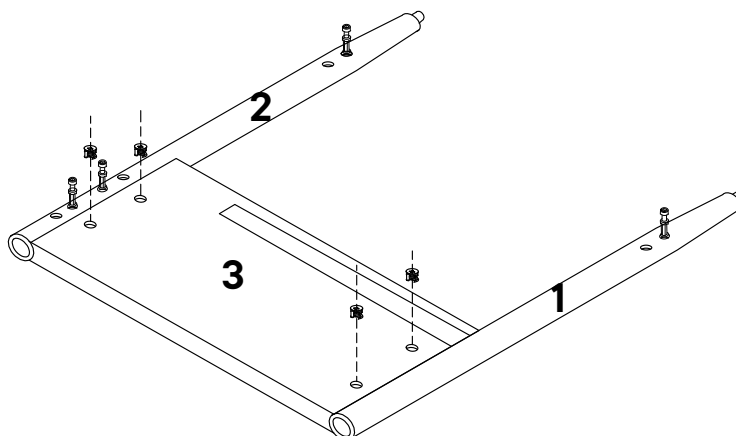
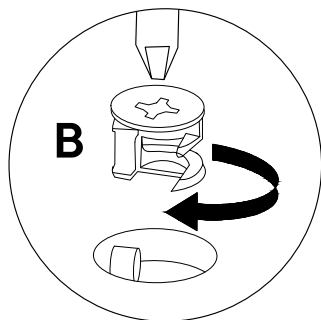
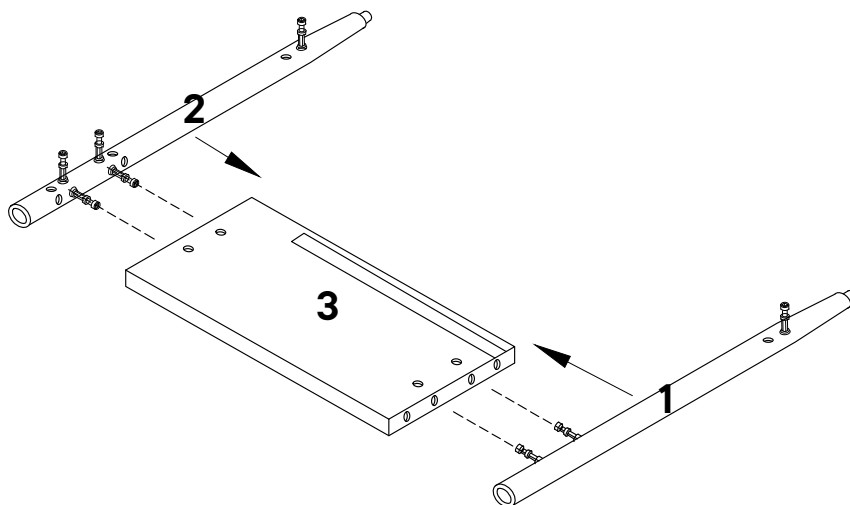
COMPONENTS

1 Leg front x2

2 Leg back x2

3 Side panel left x1

4 Side panel right x1



Step 3

HARDWARE

B Cam lock Ø15 mm x4

COMPONENTS

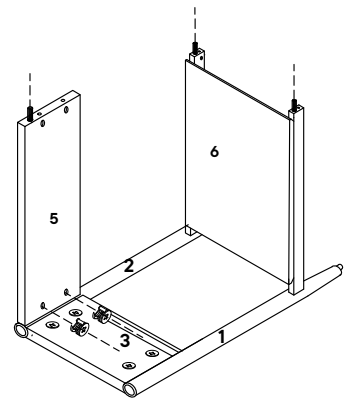
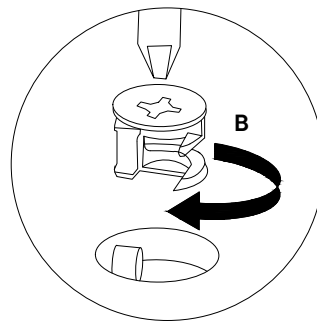
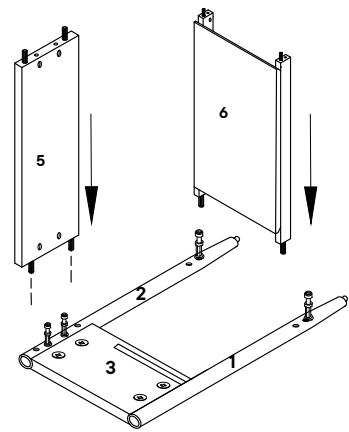
1 Leg front x1

2 Leg back x1

3 Side panel left x1

5 Back panel x1

6 Bottom panel x1



Step 4

HARDWARE

B Cam lock Ø15mm x3

COMPONENTS

1 Leg front x2

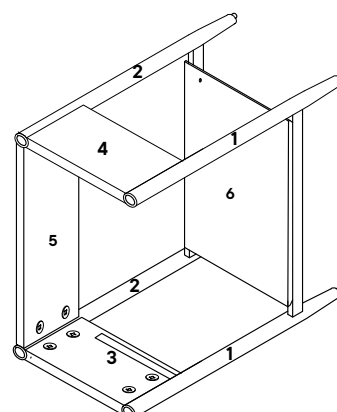
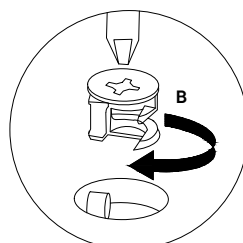
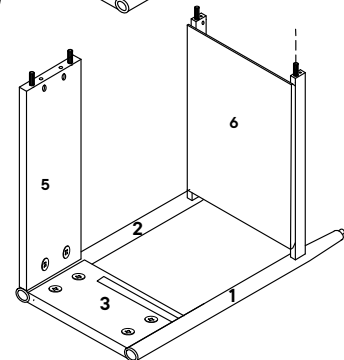
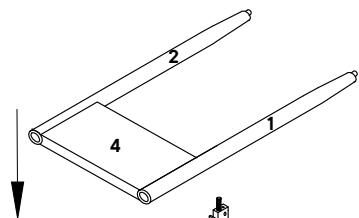
2 Leg back x2

3 Side panel left x1

4 Side panel right x1

5 Back panel x1

6 Bottom panel x1



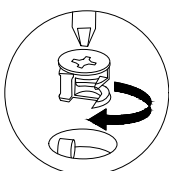
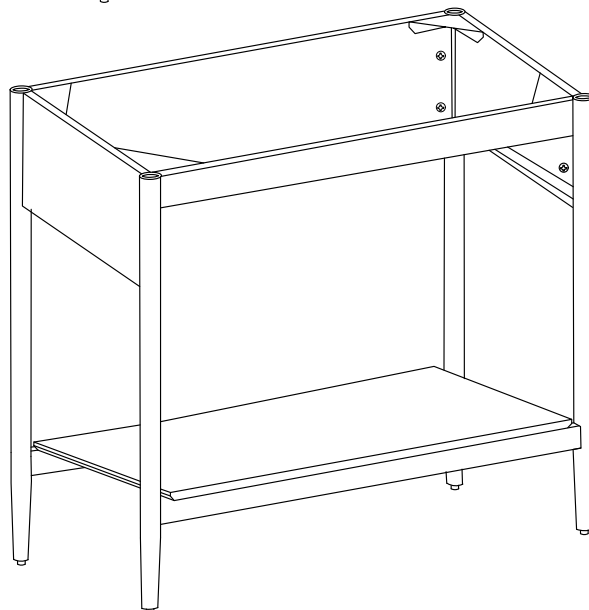
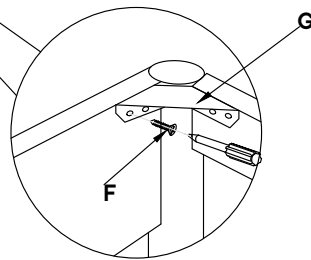
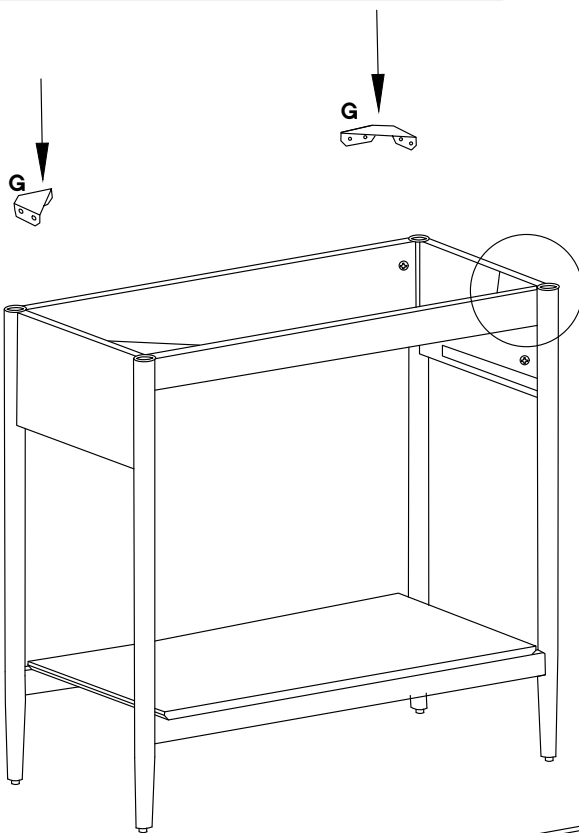
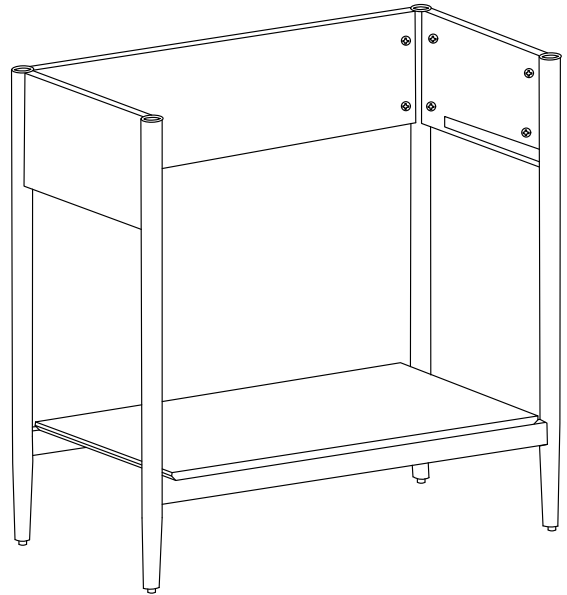
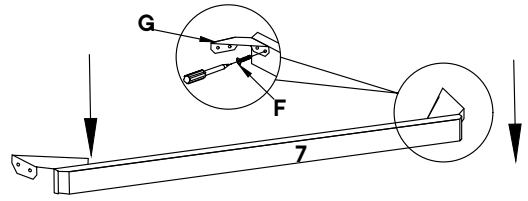
Step 5

HARDWARE

- F** Screw M4 x 16mm x12
- G** Metal bracket x2

COMPONENTS

- 7** Front frame x1



Note:- Full tighten all cam lock and screw here.

Step 6

HARDWARE

B Cam lock Ø15mm x8

COMPONENTS

8 Drawer side panel right x2

9 Drawer side panel left x2

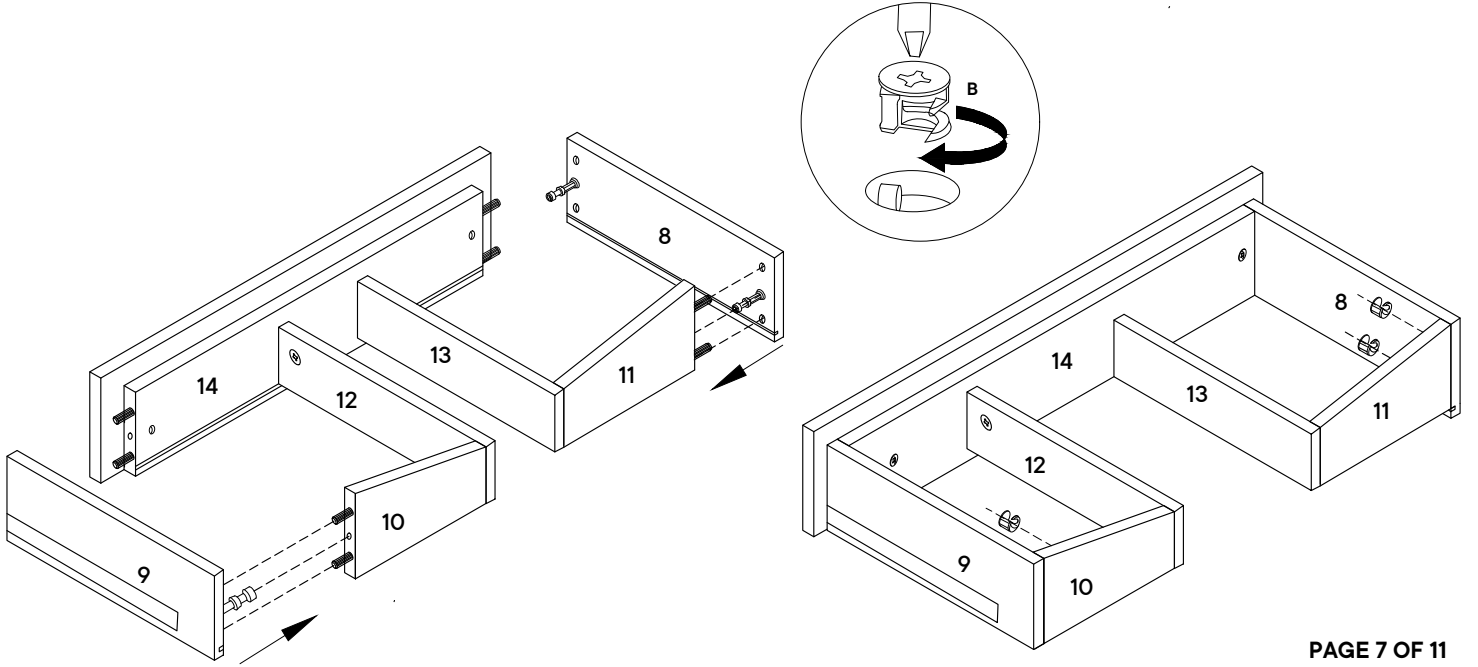
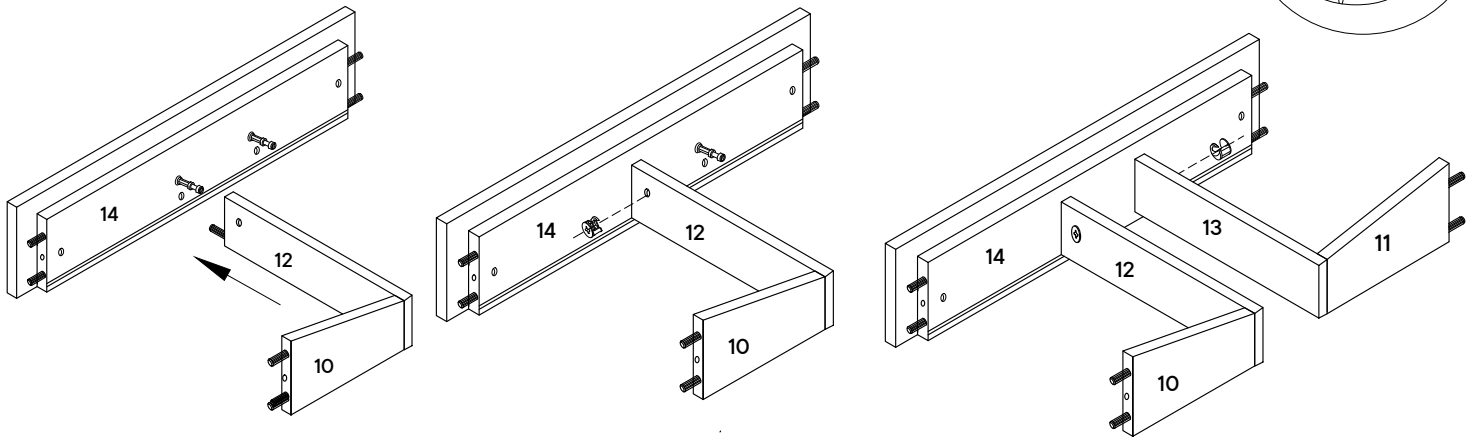
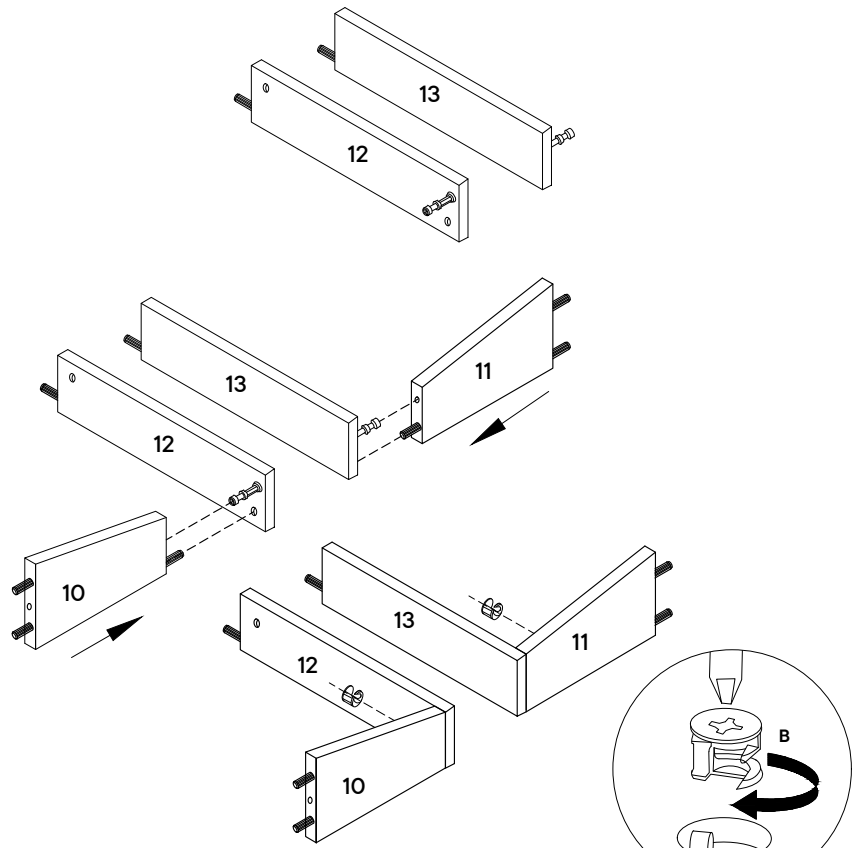
10 Drawer back panel left x2

11 Drawer back panel right x2

12 Drawer middle panel left x1

13 Drawer middle panel right x1

14 Drawer front panel x1



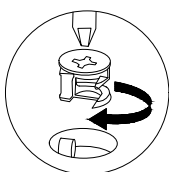
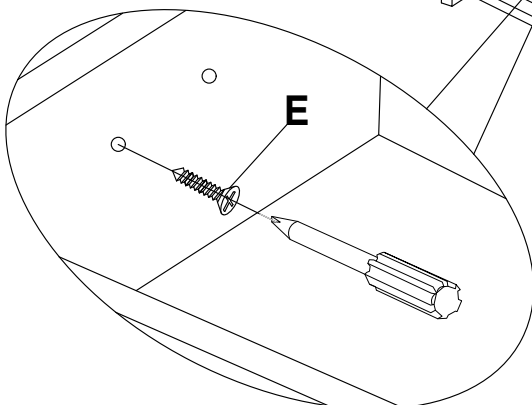
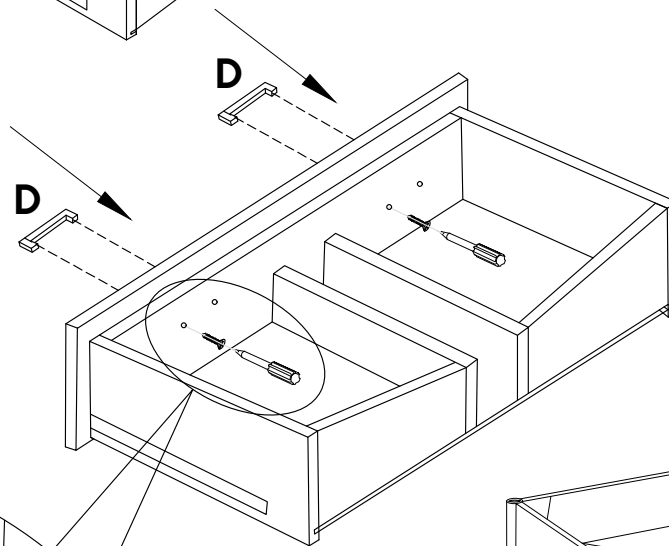
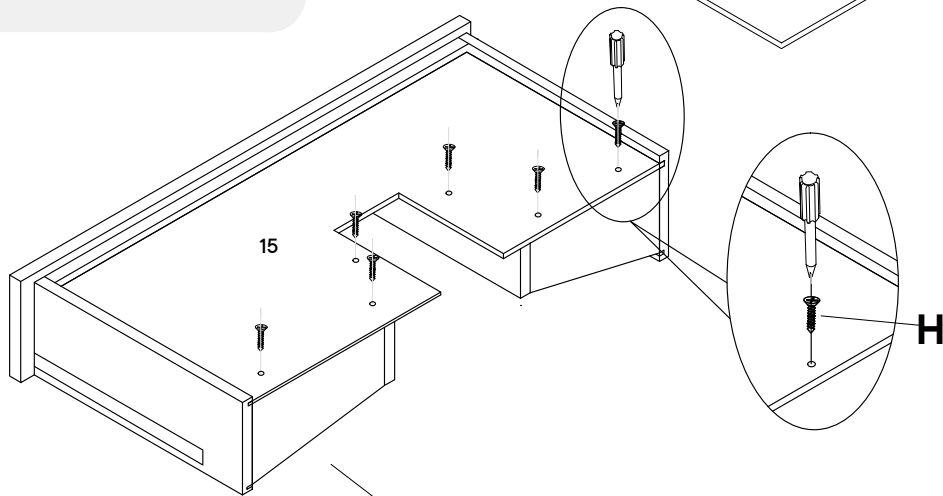
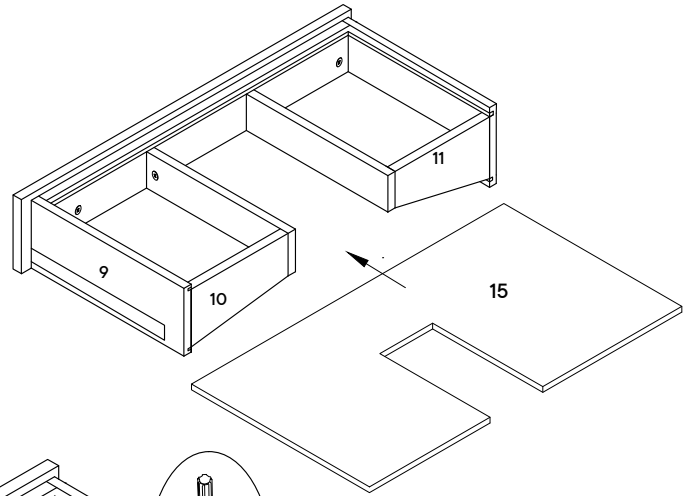
Step 7

HARDWARE

- D** Handle x2
- E** Screw M4 x 37mm x4
- H** Pan head screw M4 x 16mm x6

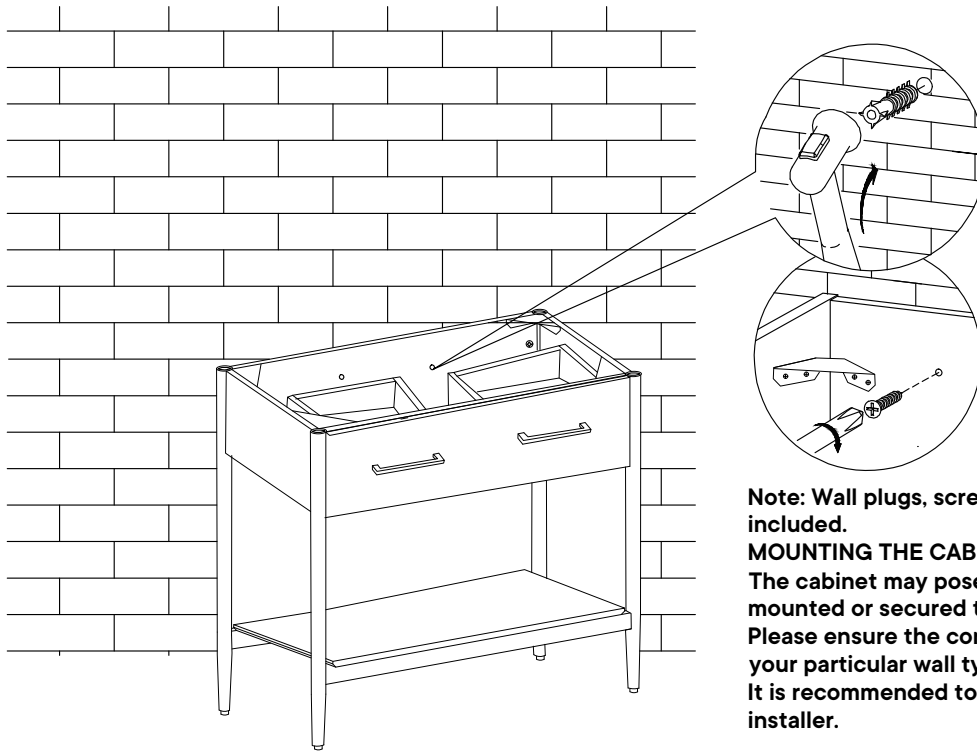
COMPONENTS

- 15** Drawer bottom x1



Note:- Full tighten all cam lock and screw here.

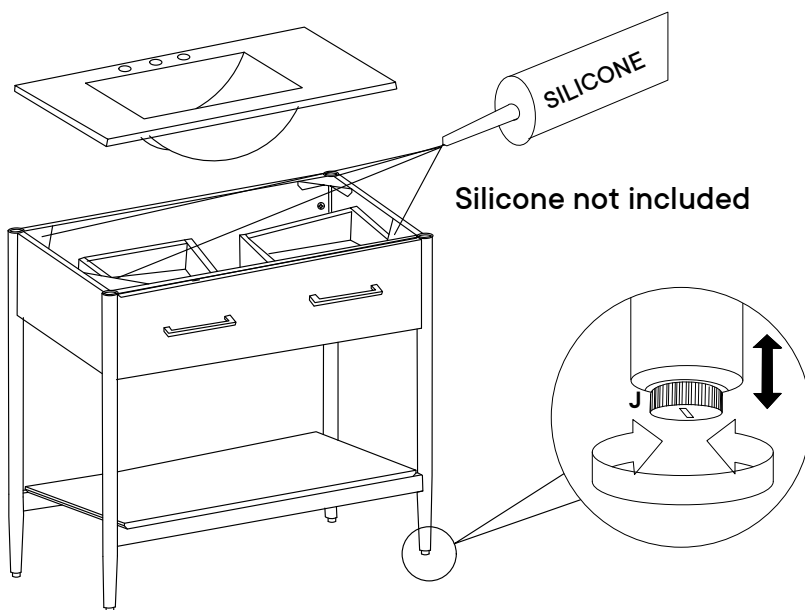
Step 8



Note: Wall plugs, screws and tools are not included.
MOUNTING THE CABINET TO THE WALL
The cabinet may pose a danger if not properly mounted or secured to the wall.
Please ensure the correct hardware is used for your particular wall type.
It is recommended to engage a professional installer.

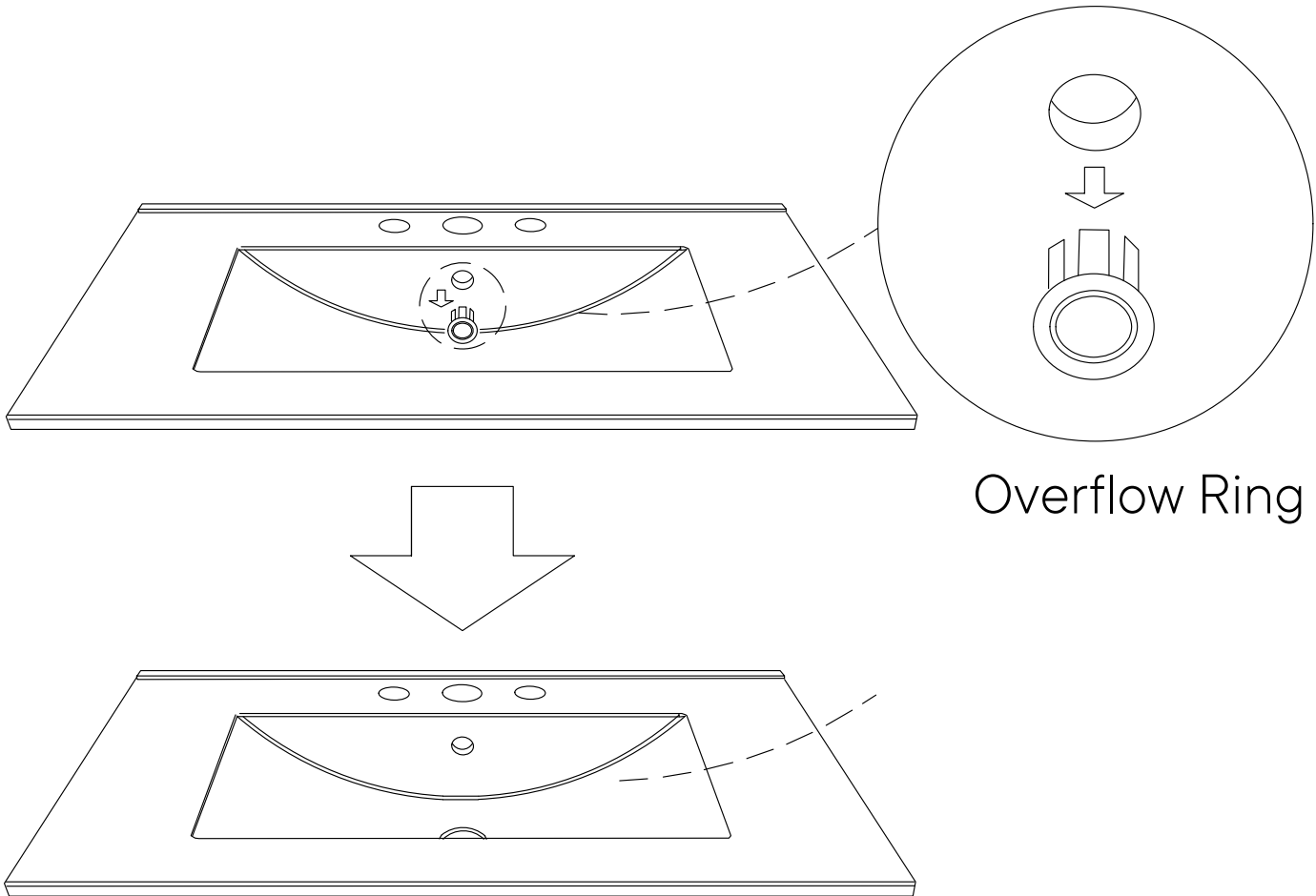
Step 9

Apply a thin bead of silicone compound around the vanity base and set the vanity top carefully in place. Remove any excess silicone compound with a wet rag



A quick note...

Your sink basin comes complete with a silver overflow ring.
If you'd like to remove this overflow ring, you can do so by hand.



Overflow Ring

Wait!

Missing parts or hardware? Need assistance?
Contact us before returning your items. We're here to help!
609.256.9000 . cs@modway.com

Great job!

Vanity assembly is complete.

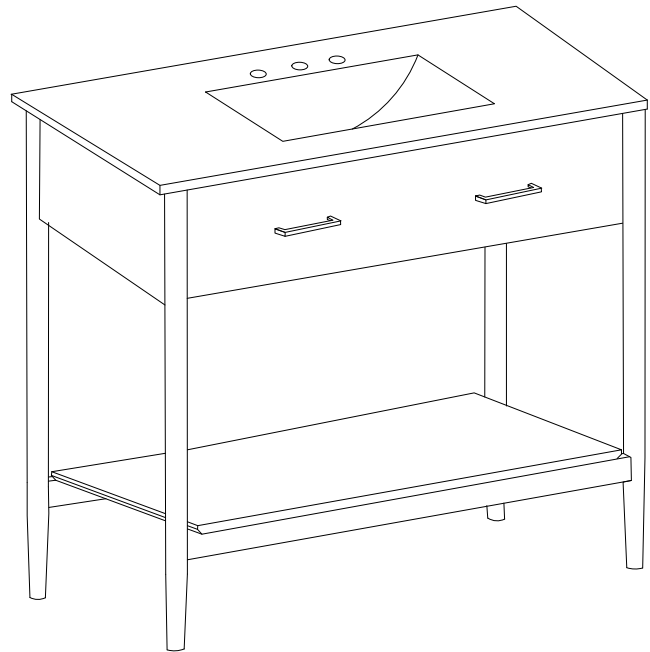
♥ CARING FOR YOUR ITEM

Indoor use only.

Not contract grade.

Clean using a non-abrasive cloth and a mild cleaner.

Never use harsh chemicals, as they could damage the finish or integrity of the item.



CONNECT WITH US!



Tag us **@modway_furniture** and **#modway** for a chance to be featured.