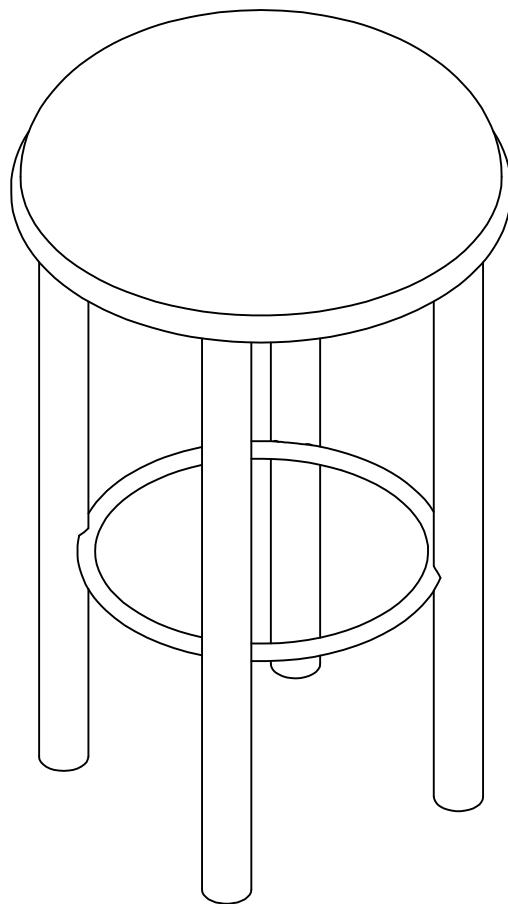


ASSEMBLY INSTRUCTIONS

# EEI-6819

V1.12.04.23



**Questions? Contact us!**

609.256.9000 · [cs@modway.com](mailto:cs@modway.com)  
[www.modway.com](http://www.modway.com)

**\*modway**

# Let's get started!

\*modway



Read through all of the instructions before starting



Care instructions are listed in the last step of this manual



Approx. 30 minutes assembly time



Make sure you have all parts and components before discarding any packing materials



2 people recommended for assembly

**Only use hand tools to assemble this item.** Do not use power tools. Do not tighten bolts or screws completely until all hardware is lined up and inserted into the holes.

Do not over-tighten screws and bolts to avoid stripping the hardware or cracking the item.

Assemble your item on a flat, carpeted area, with plenty of space to work. This will prevent damage and scratches to your floors or the item while you're assembling the product.

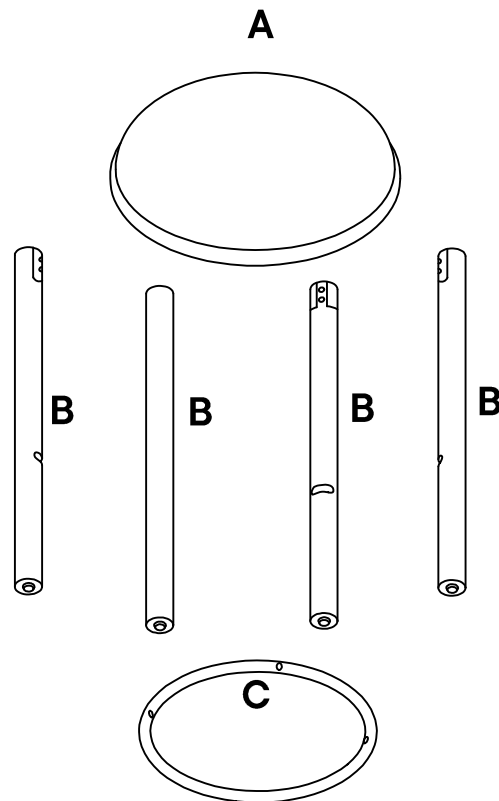
Keep all components and packaging out of reach of children or animals to avoid risk of choking or suffocation.

## Furniture components:

A	Seat	x1
B	Leg	x4
C	Metal Rail	x1

## Provided hardware:

1	 JCBC M6 x 50mm	x8
2	 M6 Flat Washer	x8
3	 M6 Spring Washer	x8
4	 Pen Head Screw M4 X 30mm (Black)	x4
5	 M4 Allen Key	x1



## What you need:



Phillips Head Screwdriver

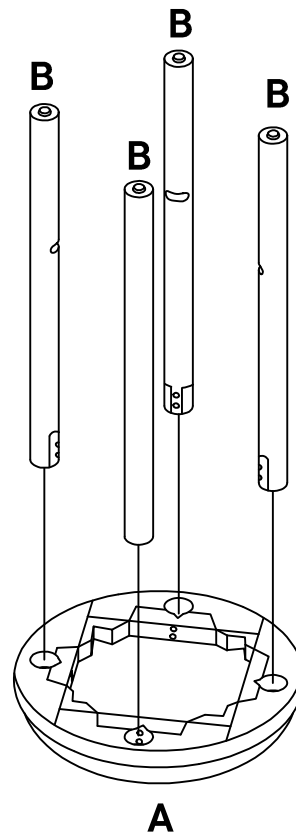
Wait!

Missing parts or hardware? Need assistance?  
Contact us before returning your item. We're here to help!  
609.256.9000 • cs@modway.com

# Step 1

## COMPONENT

<b>A</b>	Seat	x1
<b>B</b>	Leg	x4



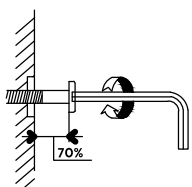
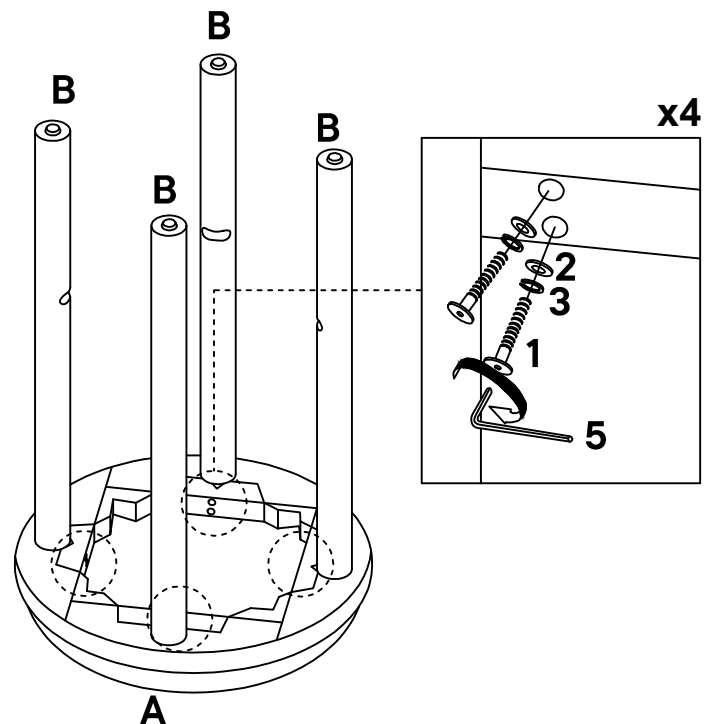
# Step 2

## COMPONENT

<b>A</b>	Seat	x1
<b>B</b>	Leg	x4

## HARDWARE

<b>1</b>	JCBC M6 x 50mm	x8
<b>2</b>	M6 Flat Washer	x8
<b>3</b>	M6 Spring Washer	x8
<b>5</b>	M4 Allen Key	x1

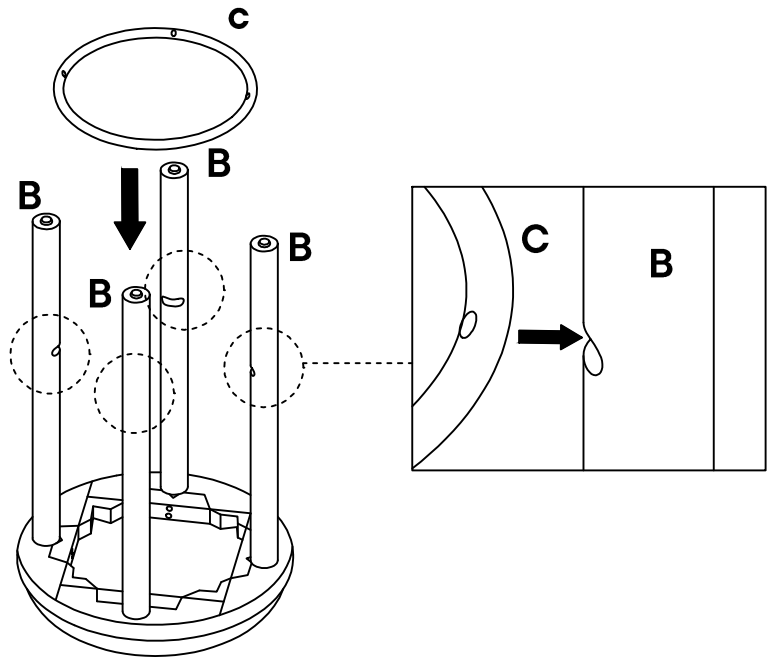


**NOTE :** Do not fully tighten the bolt

## Step 3

### COMPONENT

- |          |            |    |
|----------|------------|----|
| <b>B</b> | Leg        | x4 |
| <b>C</b> | Metal Rail | x1 |



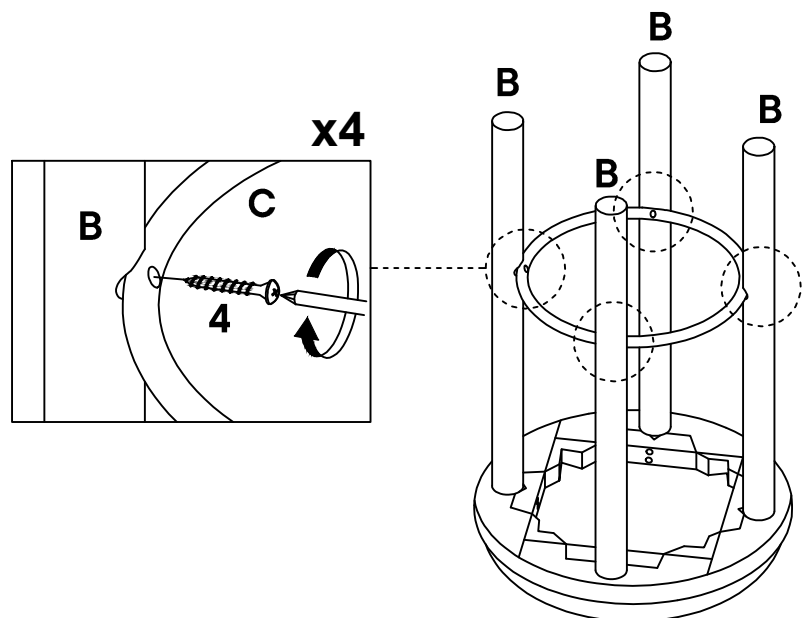
## Step 4

### COMPONENT

- |          |            |    |
|----------|------------|----|
| <b>B</b> | Seat Frame | x1 |
| <b>C</b> | Chair Leg  | x2 |

### HARDWARE

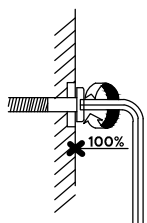
- |          |                          |    |
|----------|--------------------------|----|
| <b>4</b> | Pen Head Screw M4 X 30mm | x4 |
|----------|--------------------------|----|



# Step 5

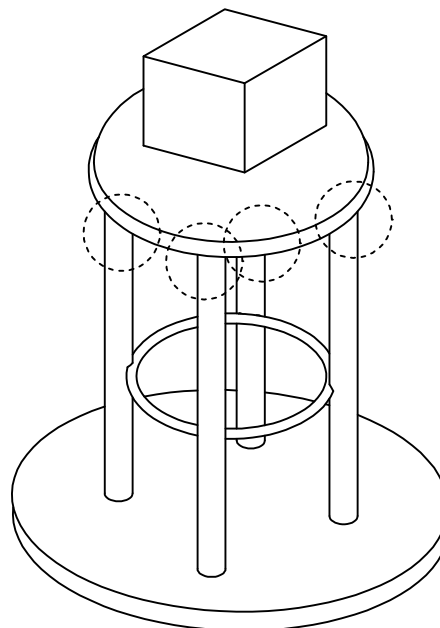
## COMPONENT

<b>A</b>	Seat	x1
<b>B</b>	Leg	x4



**NOTE :** To assist with leveling the chair, place a heavy object or have an adult sit on the Seat (A) to pressure the chair for leveling and fully tighten all bolts with Allen Key (5) to secure all legs,

Maximum Weight : 50kg



# Great job!

Chair assembly is complete

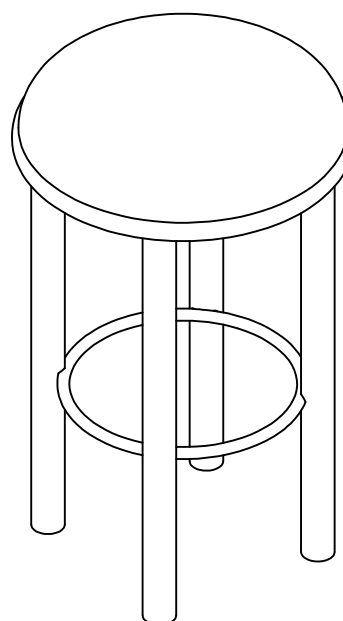
## ♥ CARING FOR YOUR ITEM

Indoor use only.

Not contract grade.

Clean using a non-abrasive cloth and a mild cleaner

Never use harsh chemicals, as they could damage the finish or integrity of the item.



CONNECT WITH US!   

Tag us @modway\_furniture and #modway for a chance to be featured.