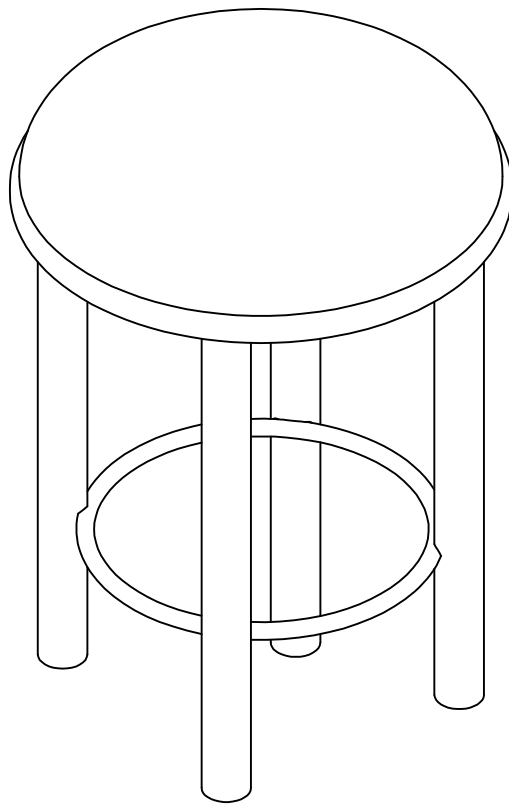


ASSEMBLY INSTRUCTIONS

EEI-6818

V1.12.04.23



Questions? Contact us!

609.256.9000 • cs@modway.com
www.modway.com

***modway**

Let's get started!

*modway



Read through all of the instructions before starting



Care instructions are listed in the last step of this manual



Approx. 30 minutes assembly time



Make sure you have all parts and components before discarding any packing materials



2 people recommended for assembly

Only use hand tools to assemble this item. Do not use power tools. Do not tighten bolts or screws completely until all hardware is lined up and inserted into the holes.

Do not over-tighten screws and bolts to avoid stripping the hardware or cracking the item.

Assemble your item on a flat, carpeted area, with plenty of space to work. This will prevent damage and scratches to your floors or the item while you're assembling the product.

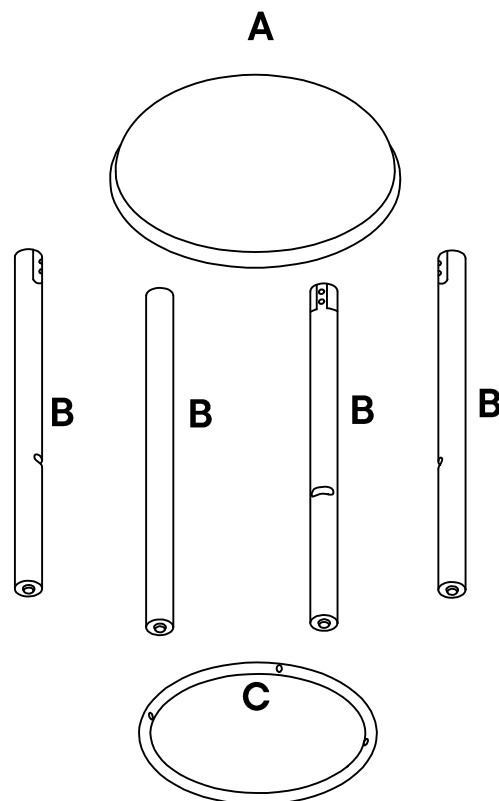
Keep all components and packaging out of reach of children or animals to avoid risk of choking or suffocation.

Furniture components:

A	Seat	x1
B	Leg	x4
C	Metal Rail	x1

Provided hardware:

1	 JCBC M6 x 50mm	x8
2	 M6 Flat Washer	x8
3	 M6 Spring Washer	x8
4	 Pen Head Screw M4 X 30mm (Black)	x4
5	 M4 Allen Key	x1



What you need:



Phillips Head Screwdriver

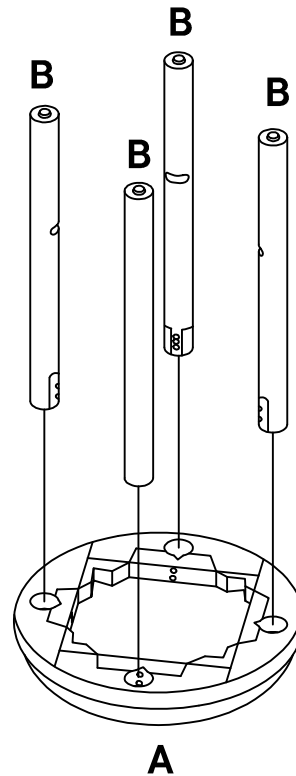
Wait!

Missing parts or hardware? Need assistance?
Contact us before returning your item. We're here to help!
609.256.9000 • cs@modway.com

Step 1

COMPONENT

A	Seat	x1
B	Leg	x4



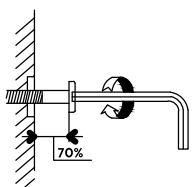
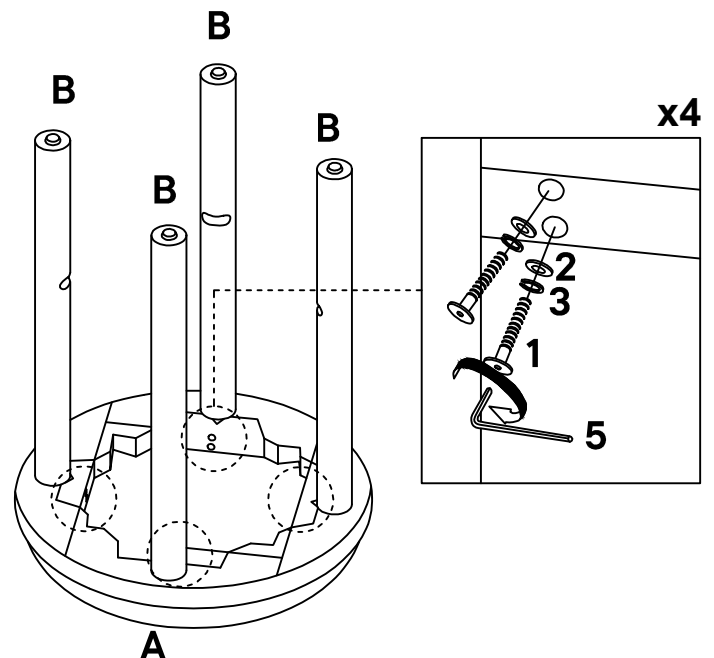
Step 2

COMPONENT

A	Seat	x1
B	Leg	x4

HARDWARE

1	JCBC M6 x 50mm	x8
2	M6 Flat Washer	x8
3	M6 Spring Washer	x8
5	M4 Allen Key	x1

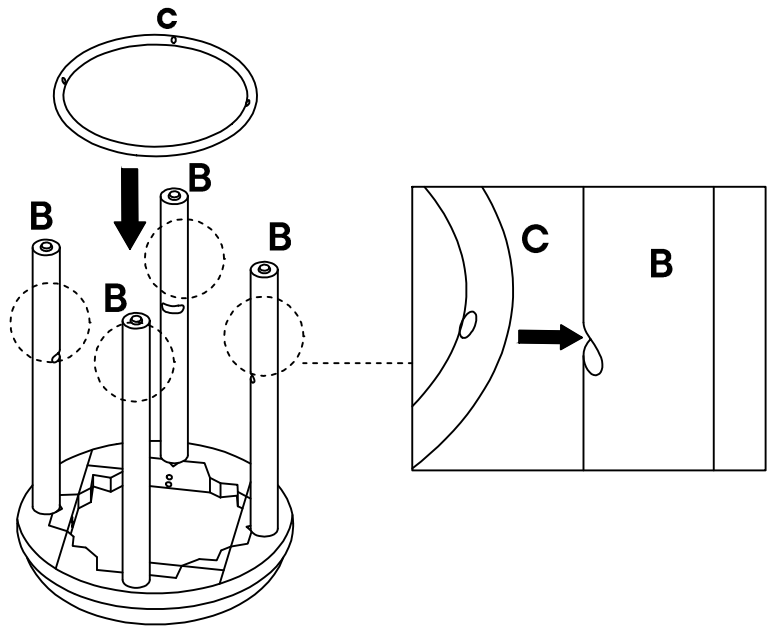


NOTE : Do not fully tighten the bolt

Step 3

COMPONENT

- | | | |
|----------|------------|----|
| B | Leg | x4 |
| C | Metal Rail | x1 |



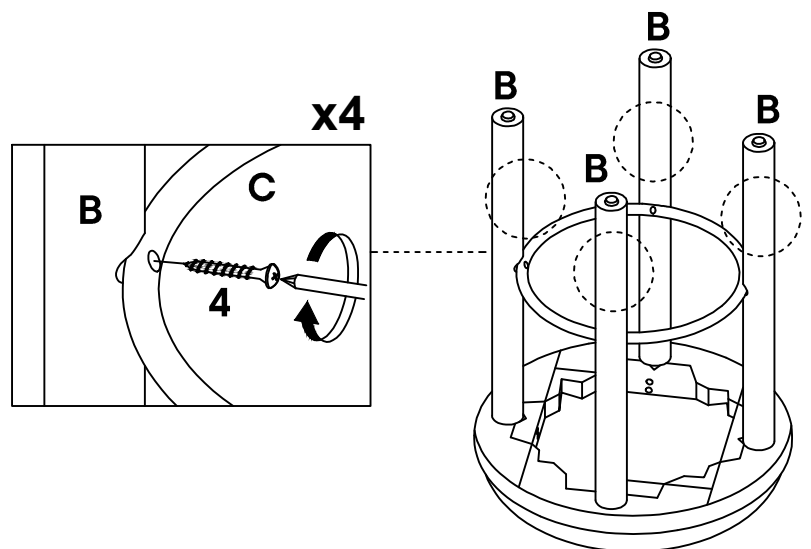
Step 4

COMPONENT

- | | | |
|----------|------------|----|
| B | Seat Frame | x1 |
| C | Chair Leg | x2 |

HARDWARE

- | | | |
|----------|--------------------------|----|
| 4 | Pen Head Screw M4 X 30mm | x4 |
|----------|--------------------------|----|

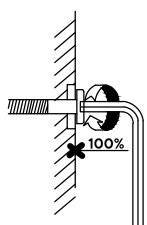
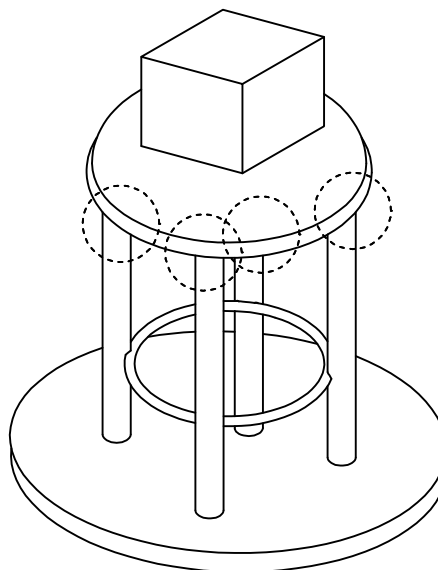


Step 5

Maximum Weight : 50kg

COMPONENT

A	Seat	x1
B	Leg	x4



NOTE : To assist with leveling the chair, place a heavy object or have an adult sit on the Seat (A) to pressure the chair for leveling and fully tighten all bolts with Allen Key (5) to secure all legs,

Great job!

Chair assembly is complete

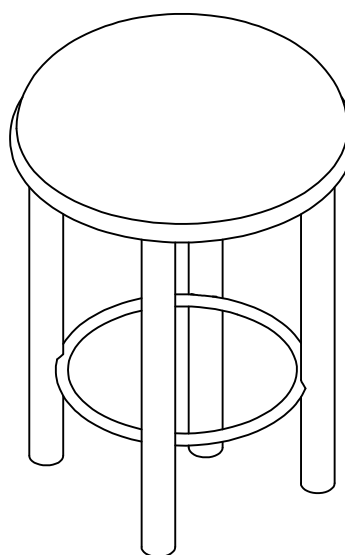
♥ CARING FOR YOUR ITEM

Indoor use only.

Not contract grade.

Clean using a non-abrasive cloth and a mild cleaner

Never use harsh chemicals, as they could damage the finish or integrity of the item.



CONNECT WITH US!   

Tag us @modway_furniture and #modway for a chance to be featured.