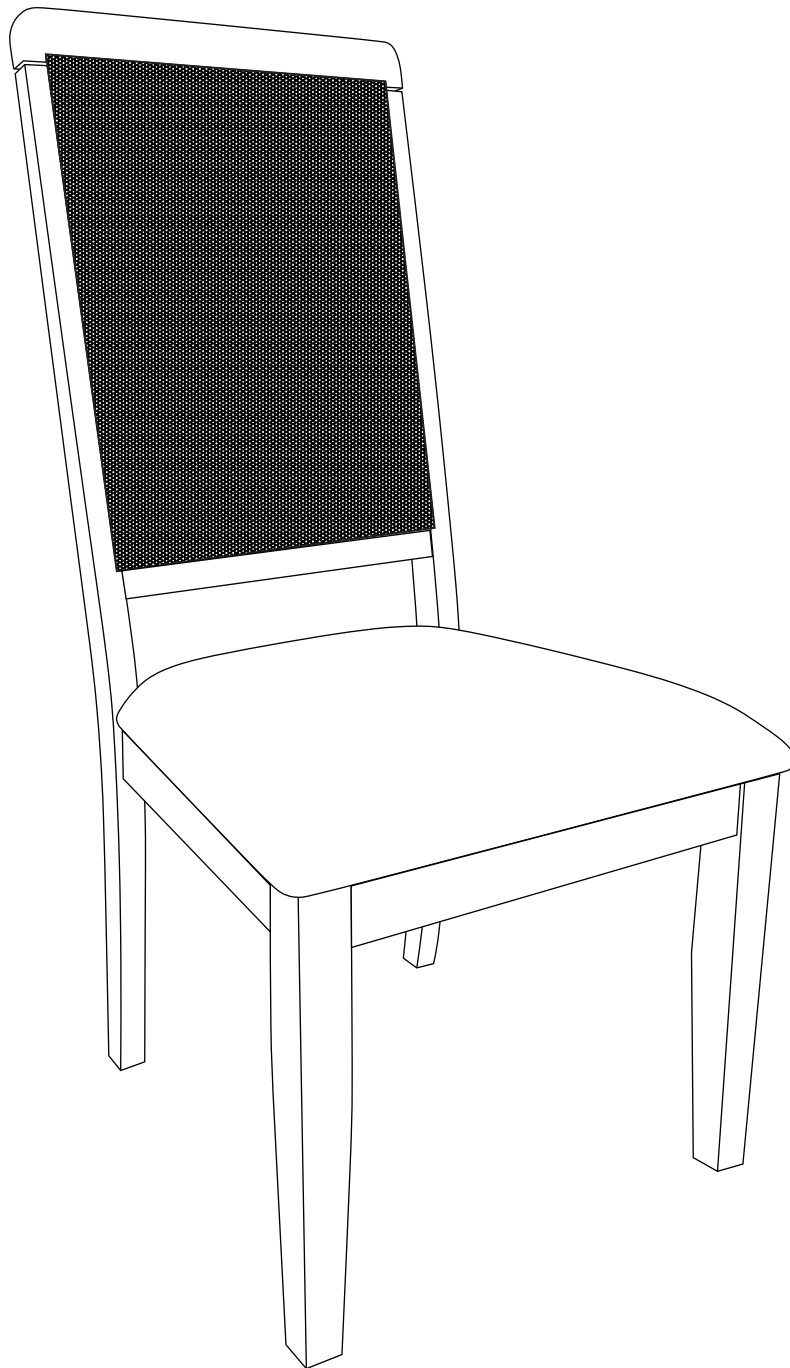


ASSEMBLY INSTRUCTIONS

EEI-6802/6803

V1.10.23.23



Questions? Contact us!

609.256.9000 • cs@modway.com
www.modway.com

*modway



Read through all of the instructions before starting



Care instructions are listed in the last step of this manual



Approx. 30 minutes assembly time



Make sure you have all parts and components before discarding any packing materials



2 people recommended for assembly

Only use hand tools to assemble this item. Do not use power tools. Do not tighten bolts or screws completely until all hardware is lined up and inserted into the holes.

Do not over-tighten screws and bolts to avoid stripping the hardware or cracking the item.




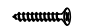



Assemble your item on a flat, carpeted area, with plenty of space to work. This will prevent damage and scratches to your floors or the item while you're assembling the product.

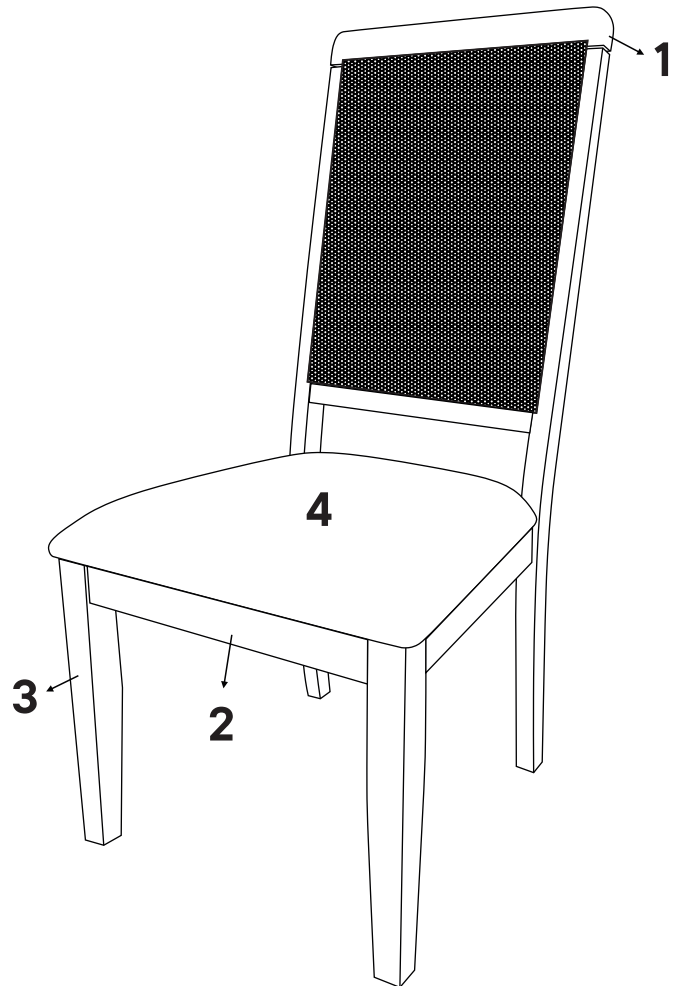
Keep all components and packaging out of reach of children or animals to avoid risk of choking or suffocation.

Furniture components:

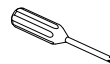
1	Chair Back	x1
2	Box Seat	x1
3	Front Leg	x2
4	Cushion Seat	x1

Provided hardware:

A		JCBC Screw M6x80mm	x4
B		JCBC Screw M6x60mm	x4
C		JCBC Screw M6x40mm	x2
D		CSK Srew M4x32mm	x6
E		Spring Washer M6	x10
F		Flat Washer M6	x10
G		Allen Key M4	x1



What you need:



Phillips Head Screwdriver

Wait!

Missing parts or hardware? Need assistance?

Contact us before returning your item. We're here to help!

609.256.9000 • cs@modway.com

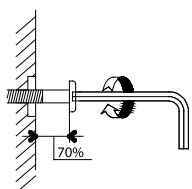
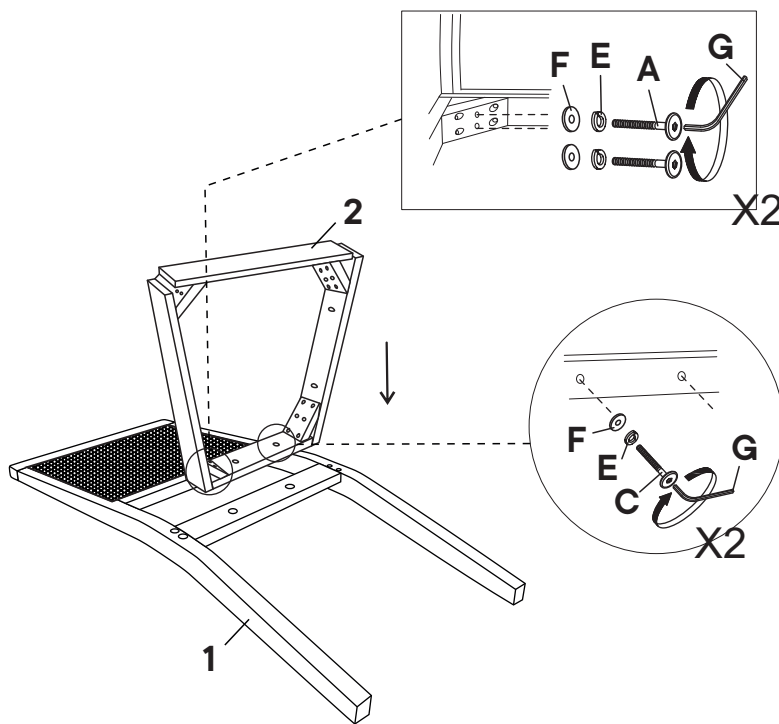
Step 1

HARDWARE

A	JCBC Screw M6x80mm	x4
C	JCBC Screw M6x40mm	x2
E	Spring Washer M6	x6
F	Flat Washer M6	x6
G	Allen Key M4	x1

COMPONENTS

1	Chair Back	x1
2	Box Seat	x1



NOTE : Do not fully tighten the bolt

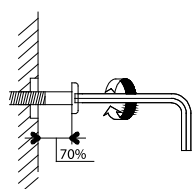
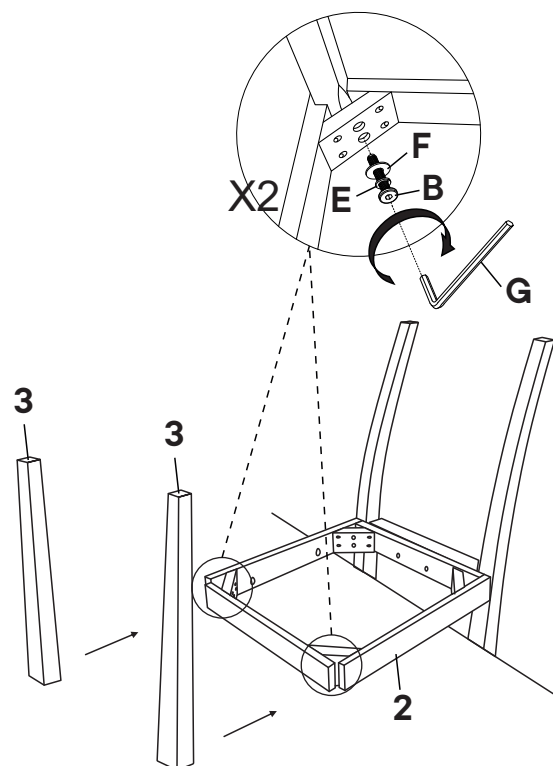
Step 2

HARDWARE

B	JCBC Screw M6x60mm	x4
E	Spring Washer M6	x4
F	Flat Washer M6	x4
G	Allen Key M4	x1

COMPONENTS

2	Box Seat	x1
3	Front Leg	x2



NOTE : Do not fully tighten the bolt

Step 3

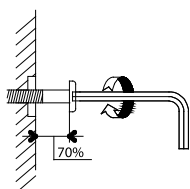
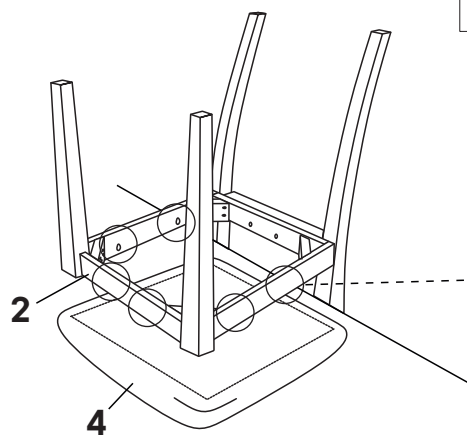
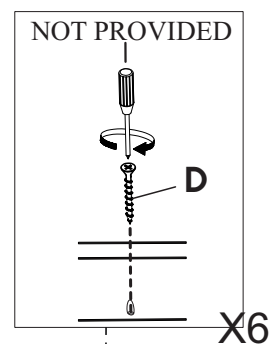
HARDWARE

D CSK Screw M4x32mm x6

COMPONENTS

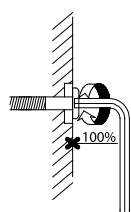
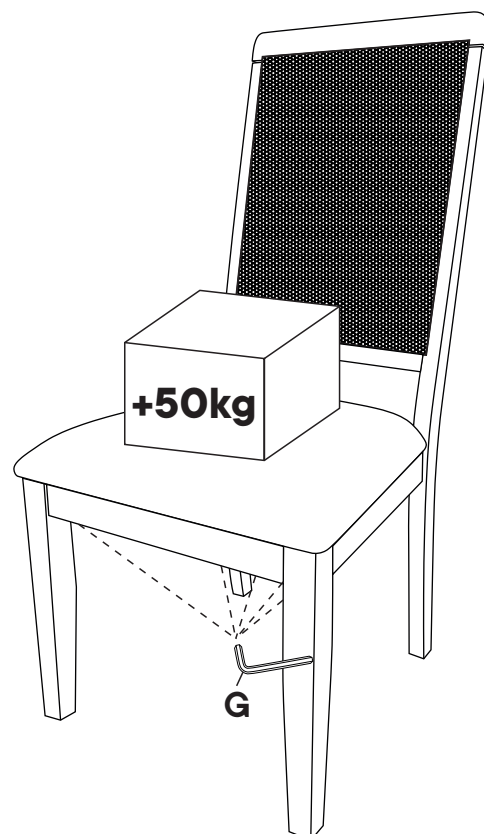
2 Box Seat x1

4 Cushion Seat x1



NOTE : Do not fully tighten the bolt

Step 4



NOTE : To assist with leveling the chair, place a heavy object or have an adult sit on the Chair Seat (2) to pressure the chair for leveling and fully tighten all bolts with Allen Key (G) to secure all legs.

Great job!

Your chair is complete and ready to enjoy.



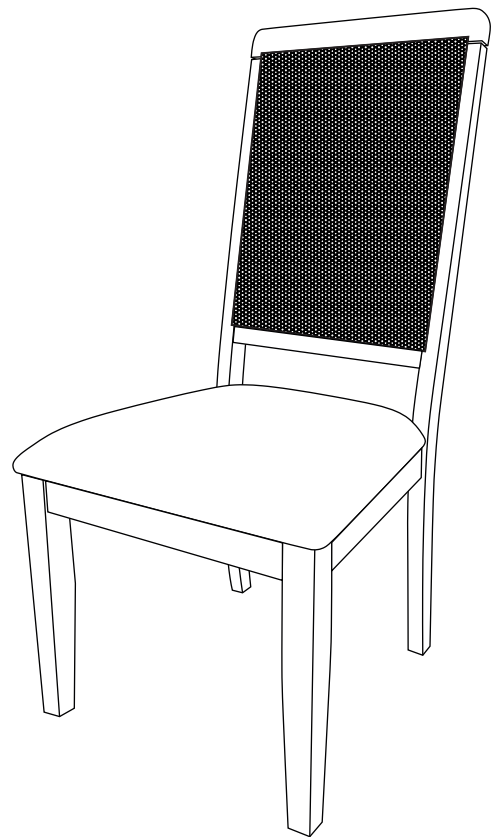
CARING FOR YOUR ITEM

Indoor use only.

Not contract grade.

Spot clean using a non-abrasive cloth and a mild cleaner.

Never use harsh chemicals, as they could damage the finish or integrity of the item.



CONNECT WITH US!



Tag us [@modway_furniture](#) and [#modway](#) for a chance to be featured.