

# ASSEMBLY INSTRUCTIONS

# EEI-6796

V0.09.19.23



**Questions? Contact us!**

609.256.9000 • [cs@modway.com](mailto:cs@modway.com)  
[www.modway.com](http://www.modway.com)

\*modway

# Let's get started!

\*modway



Read through all of the instructions before starting



Care instructions are listed in the last step of this manual



Approx. 60 minutes assembly time



Make sure you have all parts and components before discarding any packing materials



2 people recommended for assembly

**Only use hand tools to assemble this item.** Do not use power tools. Do not tighten bolts or screws completely until all hardware is lined up and inserted into the holes.

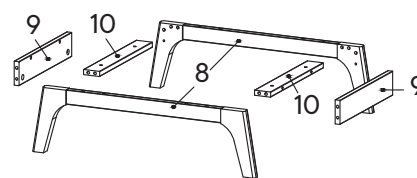
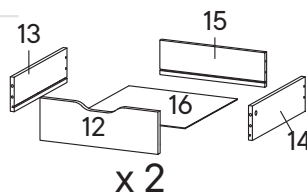
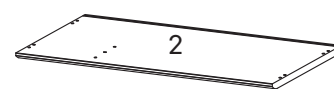
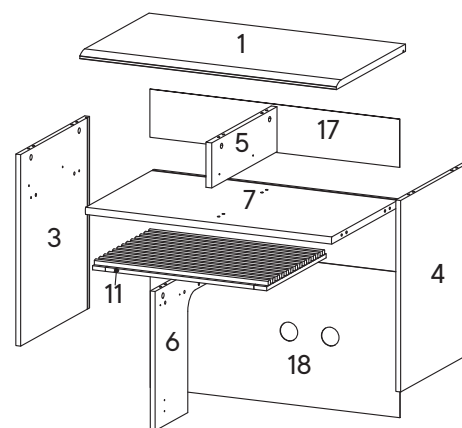
Do not over-tighten screws and bolts to avoid stripping the hardware or cracking the item.

Assemble your item on a flat, carpeted area, with plenty of space to work. This will prevent damage and scratches to your floors or the item while you're assembling the product.

Keep all components and packaging out of reach of children or animals to avoid risk of choking or suffocation.

## Furniture components:

1	Top Board	x1	11	Frame Door	x1
2	Bottom Board	x1	12	Front Drawer	x2
3	Side Board Left	x1	13	Side Drawer Left	x2
4	Side Board Right	x1	14	Side Drawer Right	x2
5	Center Board Small	x1	15	Back Drawer	x2
6	Center Board Big	x1	16	Bottom Drawer	x2
7	Fixed Shelf	x1	17	Back Board Small	x1
8	Assembly Leg	x2	18	Back Board Big	x1
9	Support Board 1	x2			
10	Support Board 2	x2			



## Provided hardware:

A		Cam Bolt $\varnothing 6 \times 35$ mm	x20	J		Screw M 6 x 10.5 mm	x8	S		Hook Pocket Door	x2
B		Cam Lock $\varnothing 15$ mm	x16	K		Screw M 8 x 39 mm	x8	T		Push Latch Set	x2
C		Cam Lock $\varnothing 12$ mm	x4	L		Screw M 3.5 x 13 mm	x12	U		Flooring Mat	x1
D		Wood Dowel $\varnothing 8 \times 30$ mm	x39	M		Screw M 3.5 x 15.5 mm	x20	RM35A		Drawer Runner	x2
E		Wood Dowel $\varnothing 6 \times 30$ mm	x4	N		Allen key	x2				
F		Screw M 7 x 50 mm	x8	O		Floor Protector	x4				
G		Screw M 6.4 x 53 mm	x4	P		Wedge	x20				
H		Screw M 6.4 x 25 mm	x4	Q		Screw Cap $\varnothing 15$ mm	x2				
I		Screw M 4.5 x 12.5 mm	x8	R		Rail Pocket Door	x2				

## What you need:

Phillips Head Screwdriver

Wait!

Missing parts or hardware? Need assistance?  
Contact us before returning your item. We're here to help!  
609.256.9000 • cs@modway.com

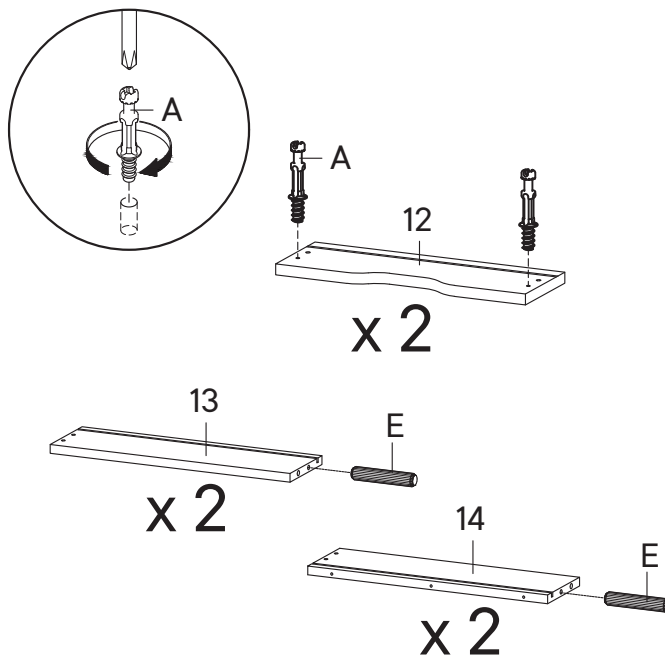
# Step 1

## HARDWARE

- A** Cam Bolt Ø6 x 35 mm x4
- E** Wood Dowel Ø6 x 30 mm x4

## COMPONENTS

- 12** Front Drawer x2
- 13** Side Drawer Left x2
- 14** Side Drawer Right x2



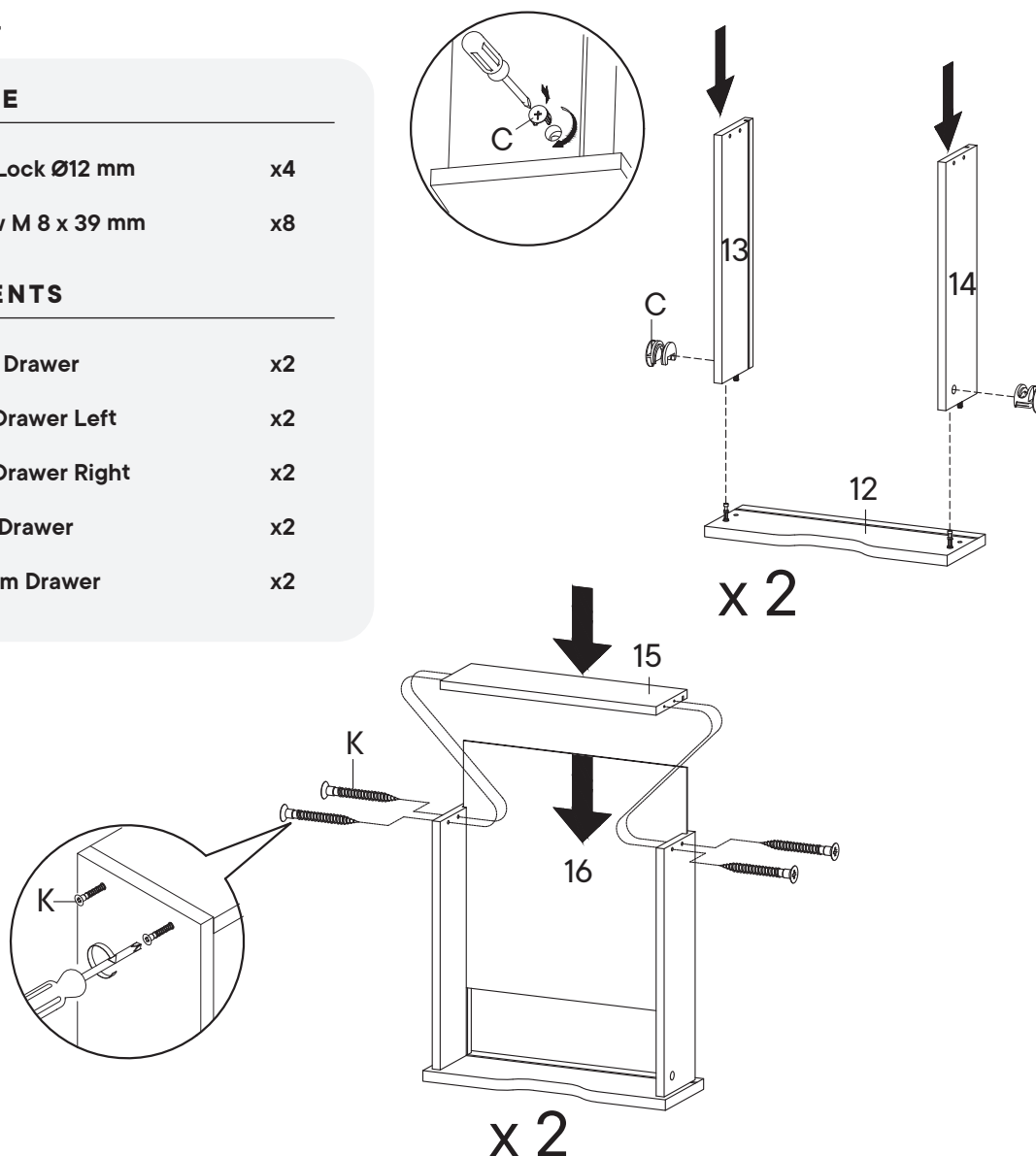
# Step 2

## HARDWARE

- C** Cam Lock Ø12 mm x4
- K** Screw M 8 x 39 mm x8

## COMPONENTS

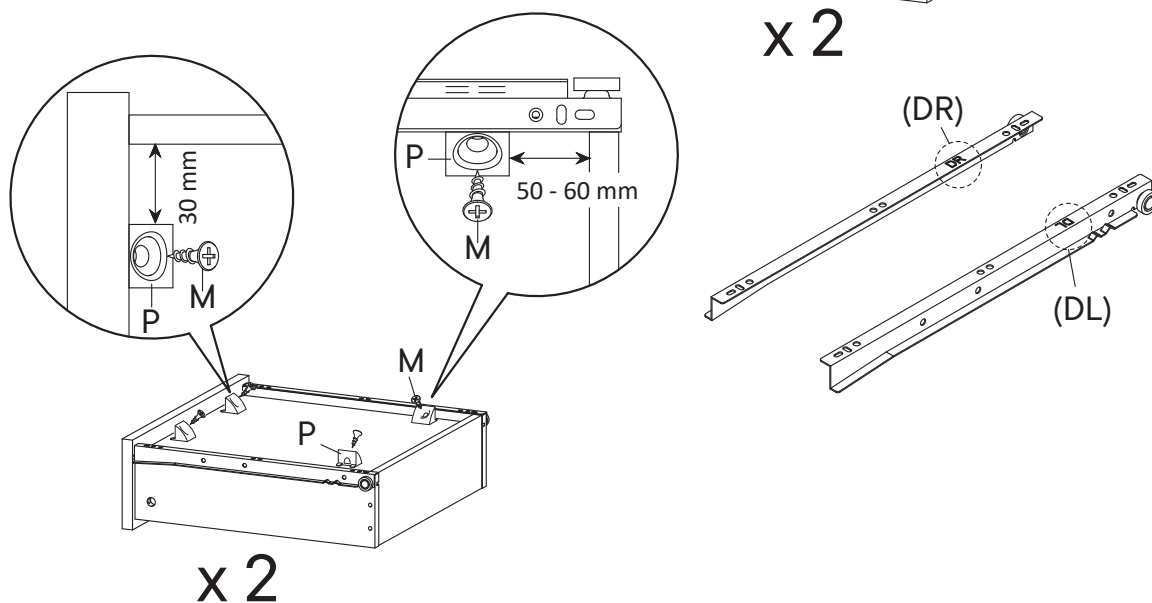
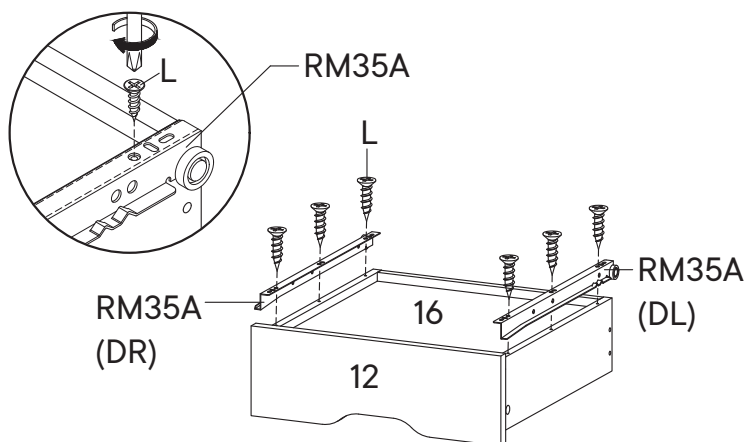
- 12** Front Drawer x2
- 13** Side Drawer Left x2
- 14** Side Drawer Right x2
- 15** Back Drawer x2
- 16** Bottom Drawer x2



## Step 3

### HARDWARE

<b>L</b>	Screw M 3.5 x 13 mm	x12
<b>M</b>	Screw M 3.5 x 15.5 mm	x8
<b>P</b>	Wedge	x8
<b>RM35A</b>	Drawer Runner	x2



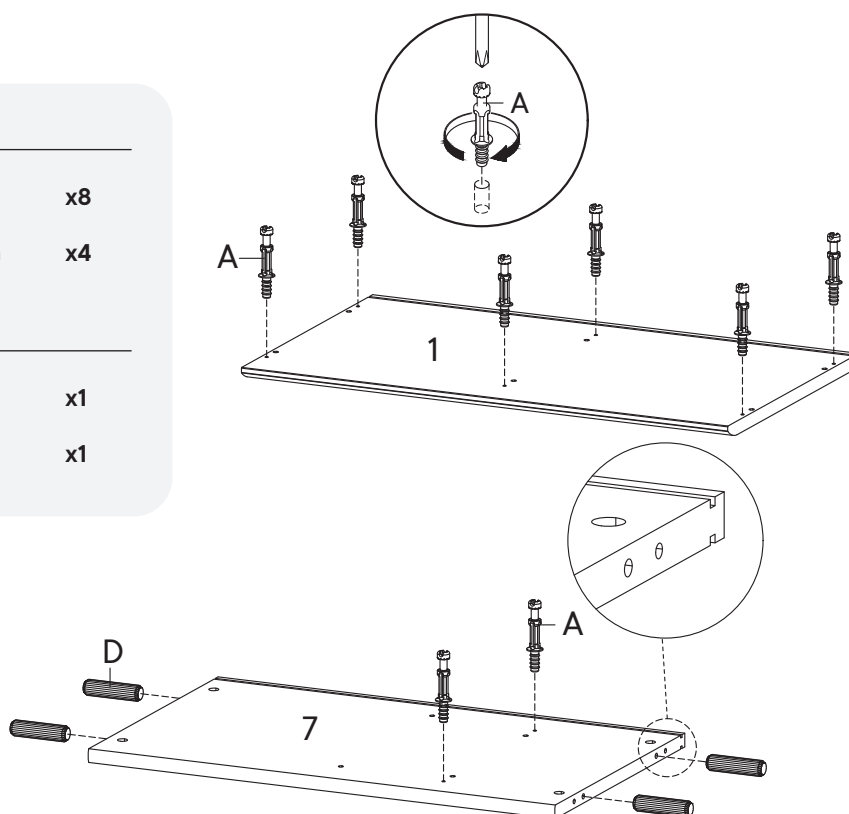
## Step 4

### HARDWARE

<b>A</b>	Cam Bolt $\varnothing 6$ x 35 mm	x8
<b>D</b>	Wood Dowel $\varnothing 8$ x 30 mm	x4

### COMPONENTS

<b>1</b>	Top Board	x1
<b>7</b>	Fixed Shelf	x1



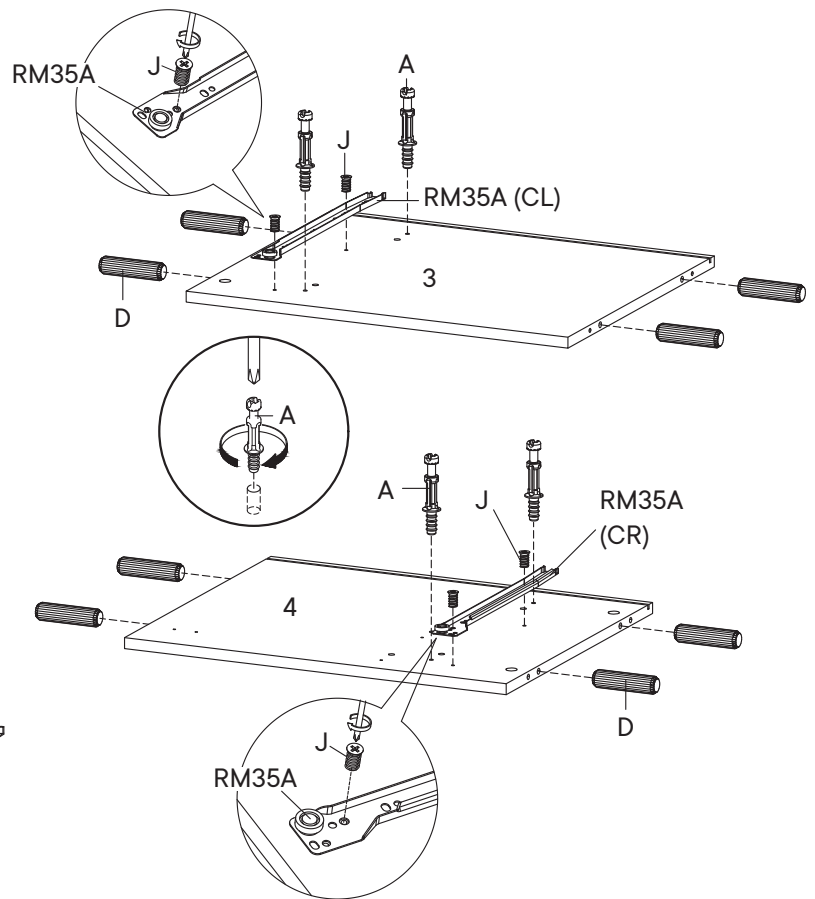
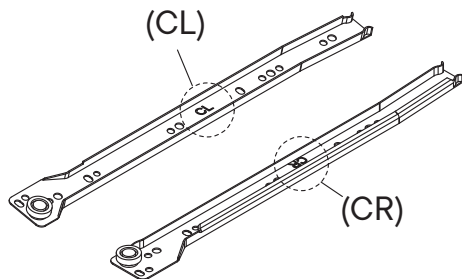
## Step 5

### HARDWARE

<b>A</b>	Cam Bolt Ø6 x 35 mm	x4
<b>D</b>	Wood Dowel Ø8 x 30 mm	x8
<b>J</b>	Screw M 6 x 10.5 mm	x4
<b>RM35A</b>	Drawer Runner	x1

### COMPONENTS

<b>3</b>	Side Board Left	x1
<b>4</b>	Side Board Right	x1



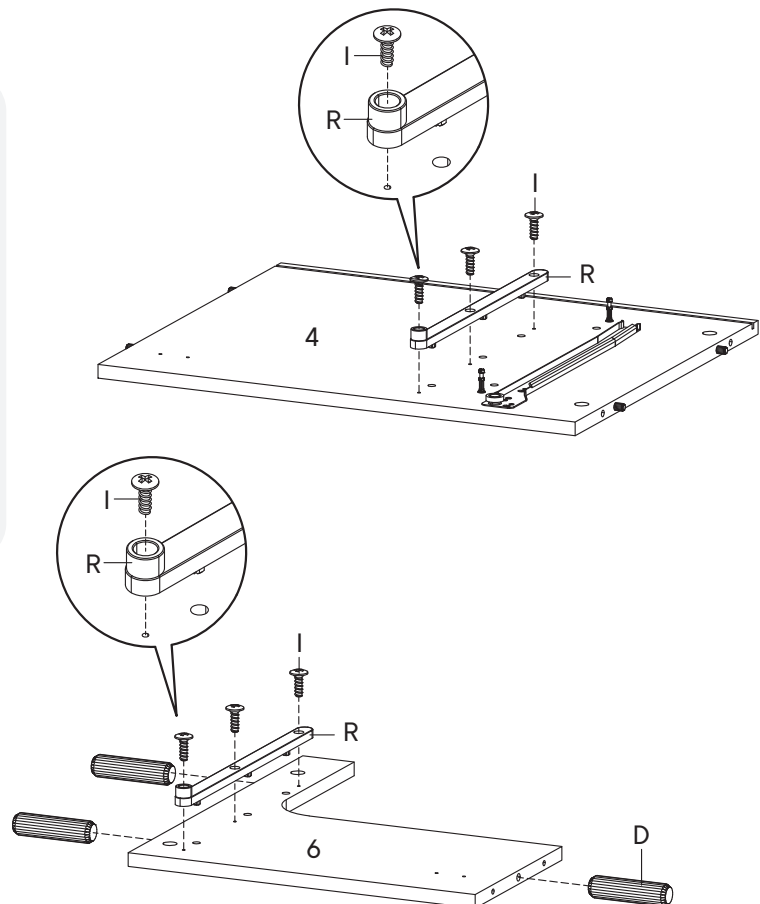
## Step 6

### HARDWARE

<b>D</b>	Wood Dowel Ø8 x 30 mm	x3
<b>I</b>	Screw M 4.5 x 12.5 mm	x6
<b>R</b>	Rail Pocket Door	x2

### COMPONENTS

<b>4</b>	Side Board Right	x1
<b>6</b>	Center Board Big	x1



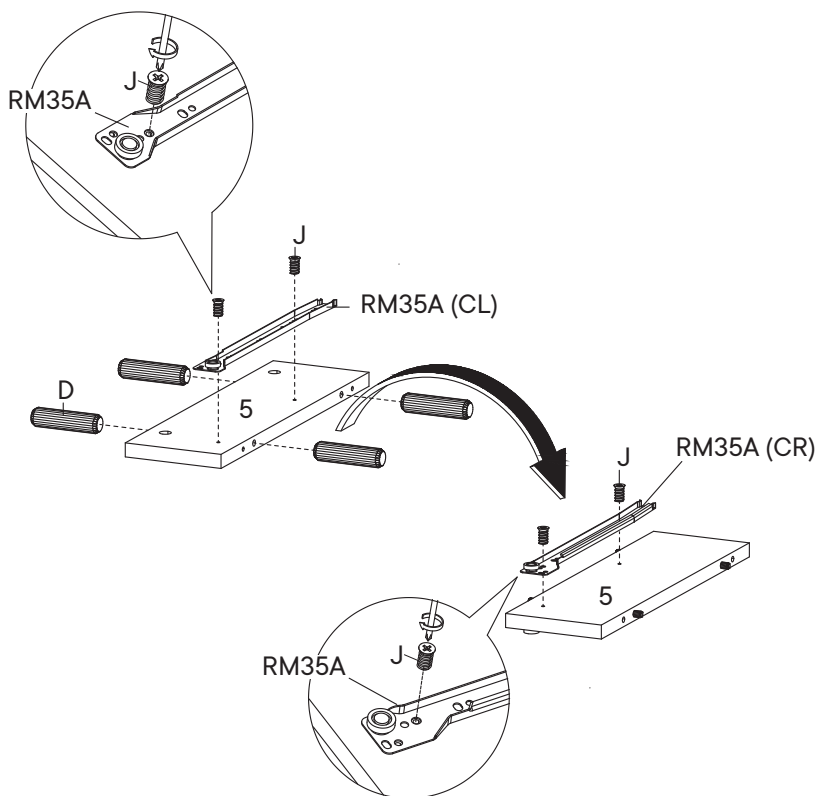
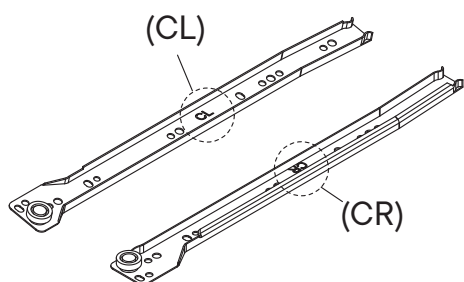
# Step 7

## HARDWARE

- D** Wood Dowel Ø8 x 30 mm x4
- J** Screw M 6 x 10.5 mm x4
- RM35A** Drawer Runner x1

## COMPONENTS

- 5** Center Board Small x1



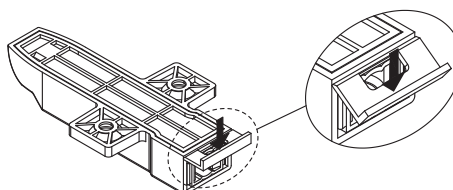
# Step 8

## HARDWARE

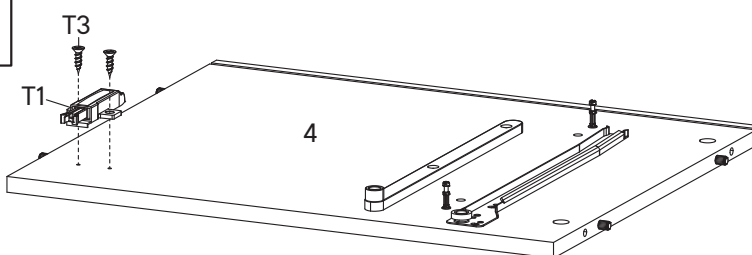
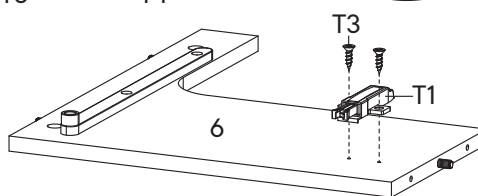
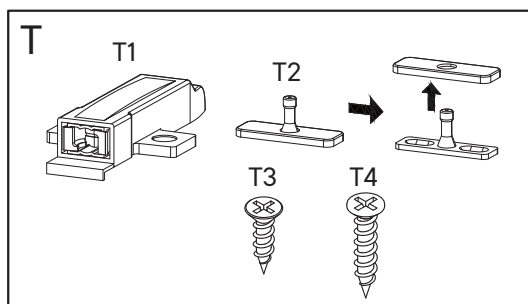
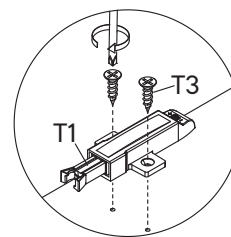
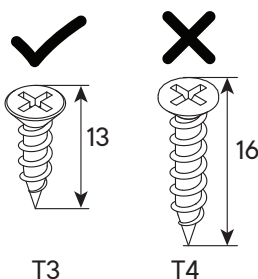
- T** Push Latch Set x2

## COMPONENTS

- 4** Side Board Right x1
- 6** Center Board Big x1



Note:  
Gently break the excess part,  
does not reduce functionality  
or integrity of the hardware.



## Step 9

### HARDWARE

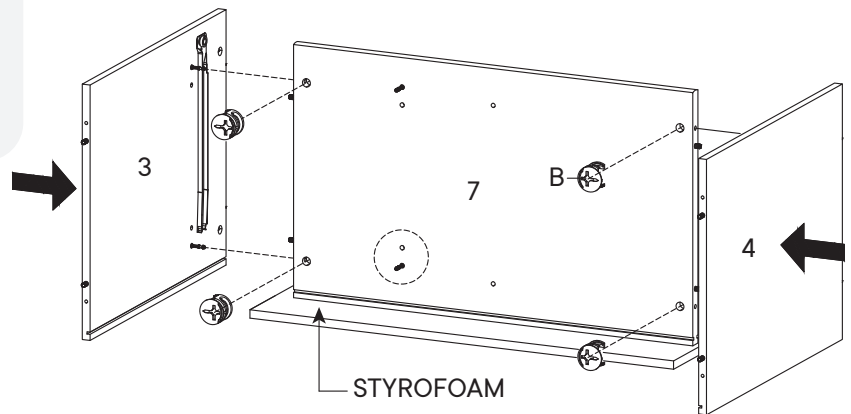
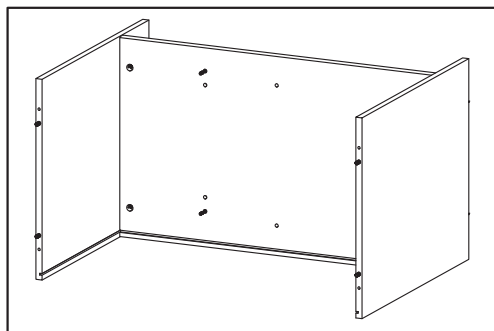
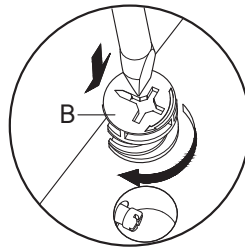
**B** Cam Lock Ø15 mm x4

### COMPONENTS

**3** Side Board Left x1

**4** Side Board Right x1

**7** Fixed Shelf x1



## Step 10

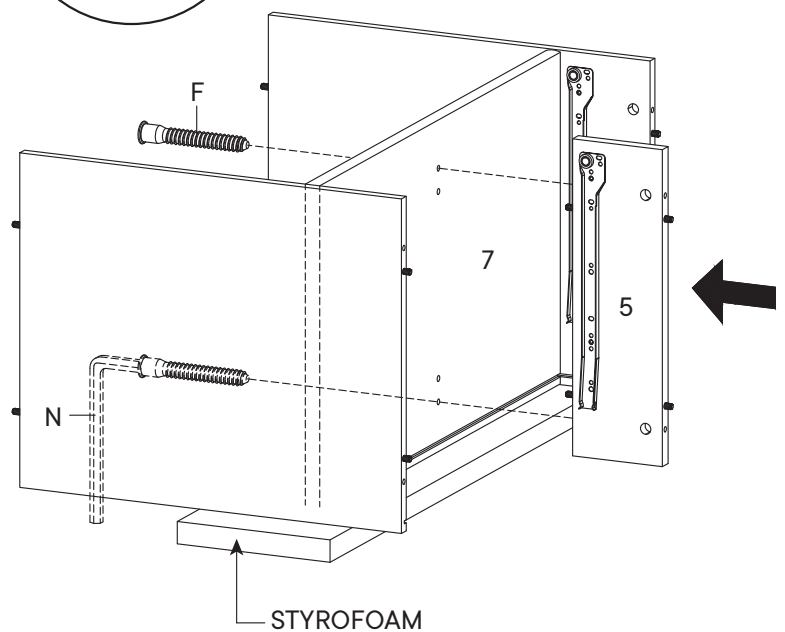
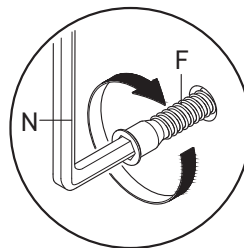
### HARDWARE

**F** Screw M 7 x 50 mm x2

**N** Allen Key x1

### COMPONENTS

**5** Center Board Small x1



# Step 11

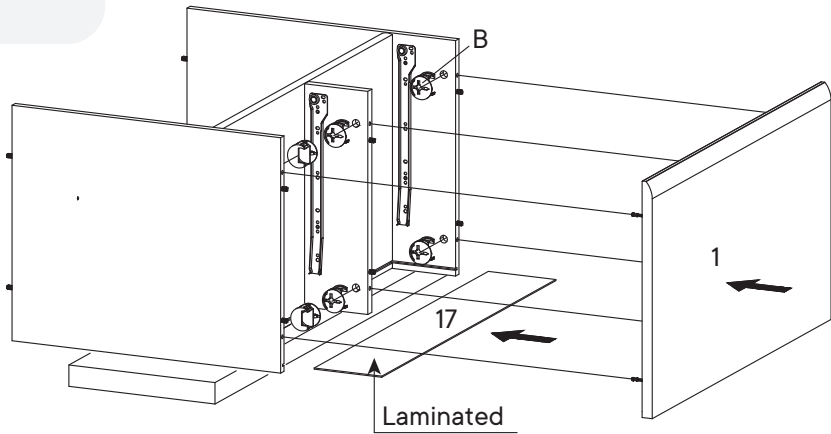
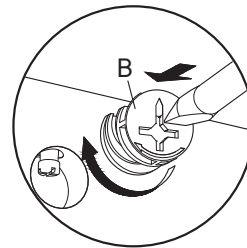
## HARDWARE

**B** Cam Lock Ø15 mm x6

## COMPONENTS

**1** Top Board x1

**17** Back Board Small x1



# Step 12

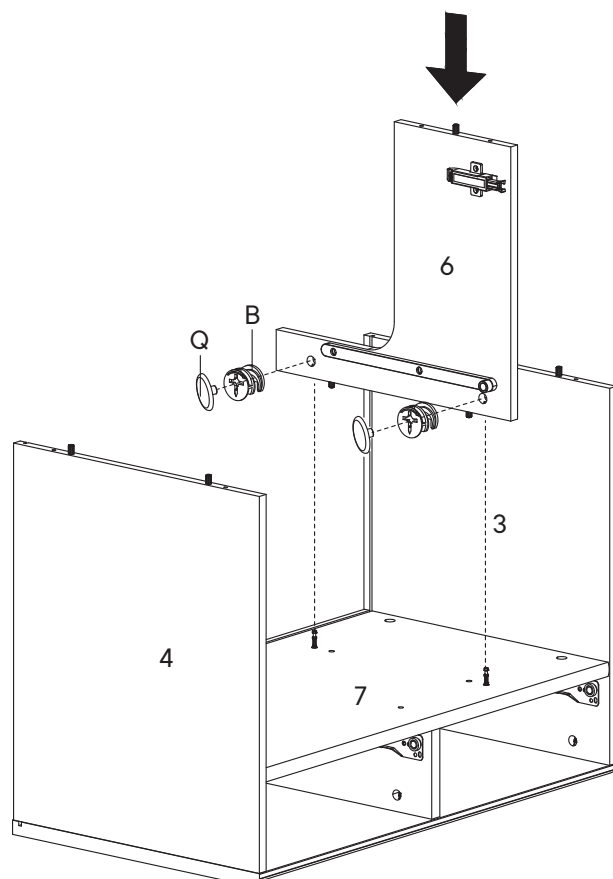
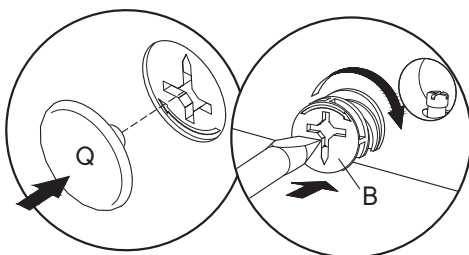
## HARDWARE

**B** Cam Lock Ø15 mm x2

**Q** Screw Cap Ø15 mm x1

## COMPONENTS

**6** Center Board Big x1





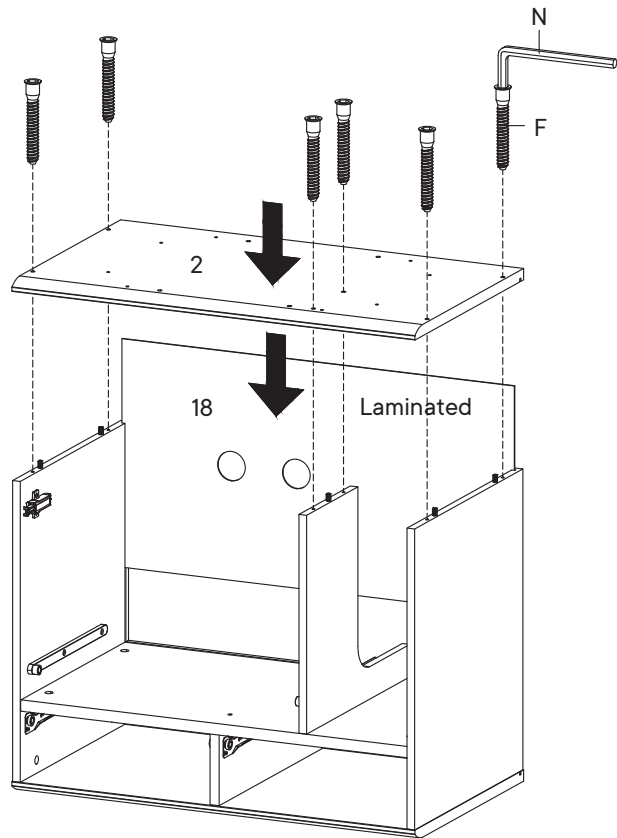
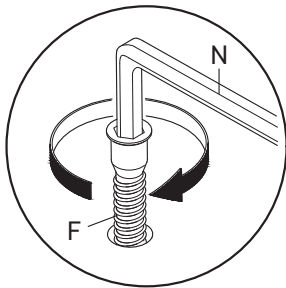
# Step 13

## HARDWARE

- F** Screw M 7 x 50 mm x6
- N** Allen Key x1

## COMPONENTS

- 2** Bottom Board x1
- 18** Back Board Big x1



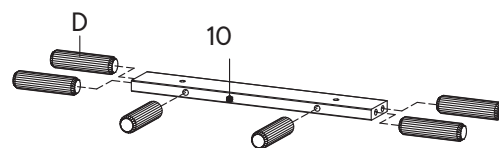
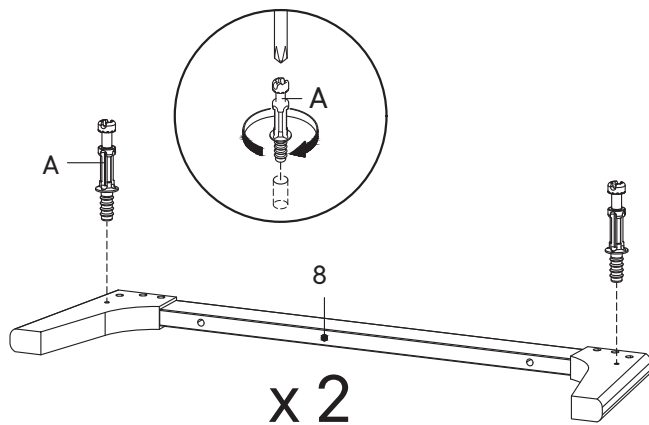
# Step 14

## HARDWARE

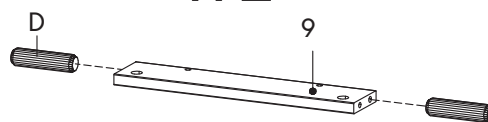
- A** Cam Bolt  $\varnothing 6 \times 35$  mm x4
- D** Wood Dowel  $\varnothing 8 \times 30$  mm x16

## COMPONENTS

- 8** Assembly Leg x2
- 9** Support Leg 1 x2
- 10** Support Leg 2 x2



x 2



x 2

# Step 15

## HARDWARE

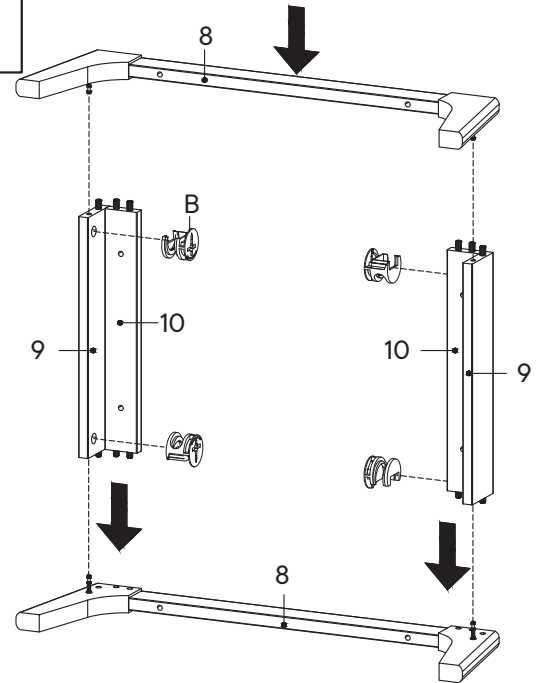
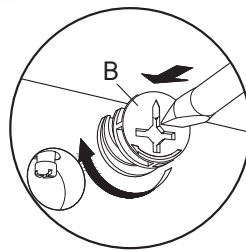
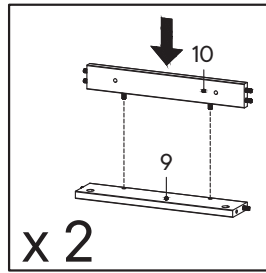
**B** Cam Lock Ø15 mm x4

## COMPONENTS

**8** Assembly Leg x2

**9** Support Leg 1 x2

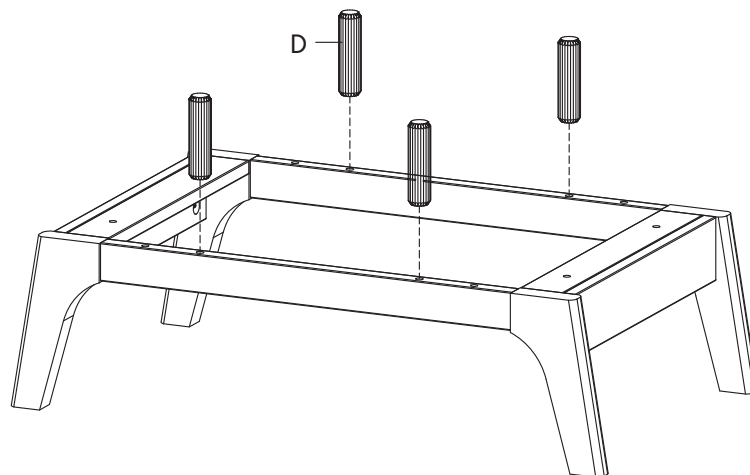
**10** Support Leg 2 x2



# Step 16

## HARDWARE

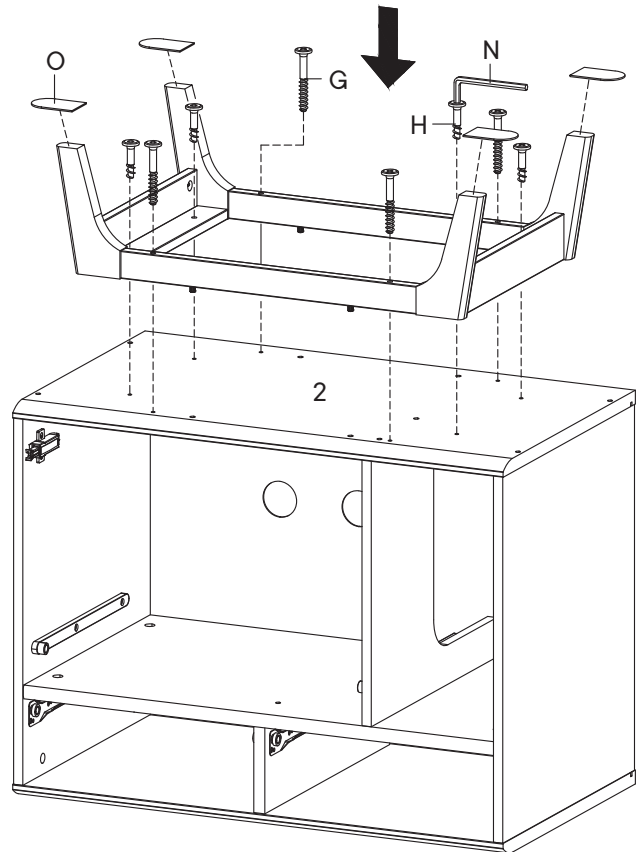
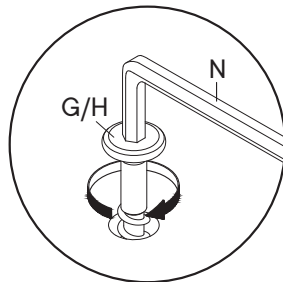
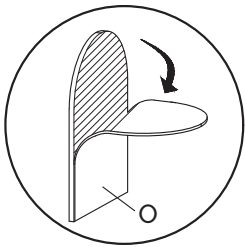
**D** Wood Dowel Ø8 x 30 mm x4



# Step 17

## HARDWARE

- G** Screw M 6.4 x 53 mm x4
- H** Screw M 6.4 x 25 mm x4
- N** Allen Key x1
- O** Floor Protector x4



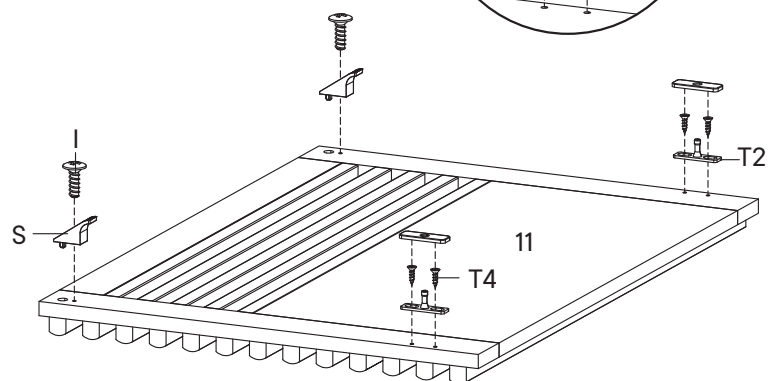
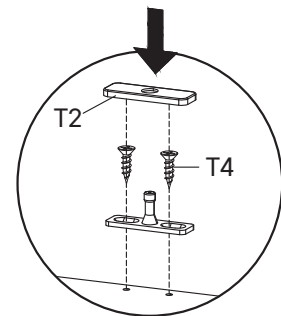
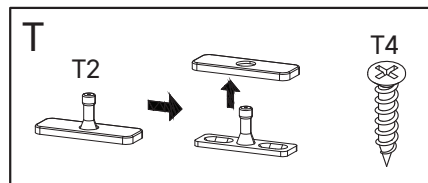
# Step 18

## HARDWARE

- I** Screw M 4.5 x 12.5 mm x2
- S** Hook Pocket Door x2
- T** Push Latch Set x2

## COMPONENTS

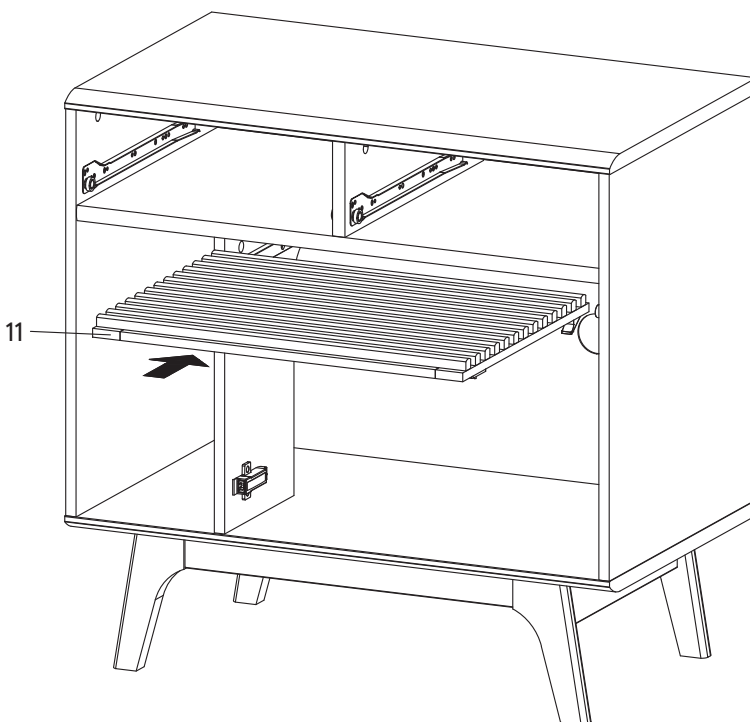
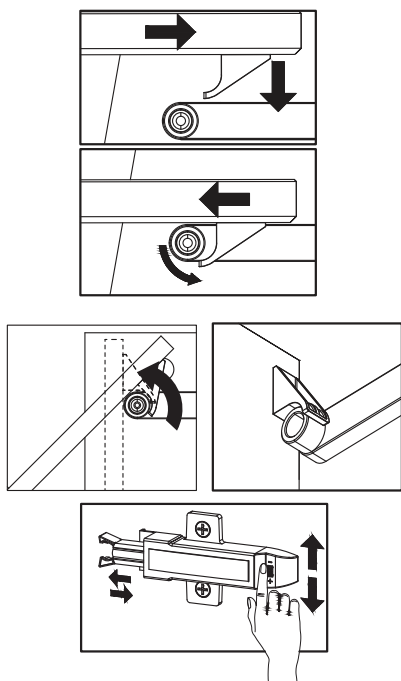
- 11** Frame Door x1



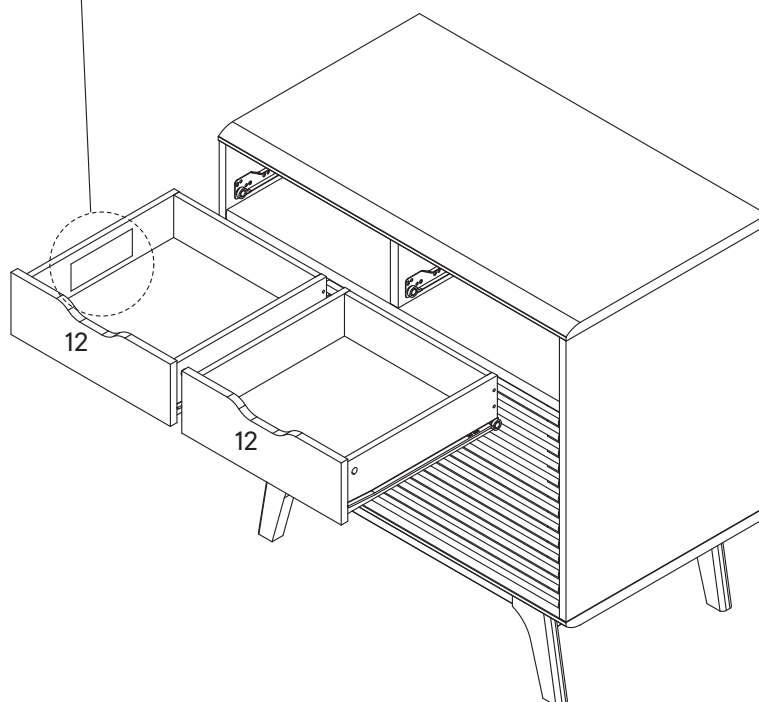
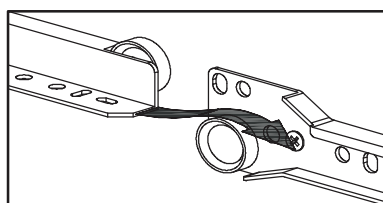
# Step 19

## COMPONENTS

11 Frame Door x1



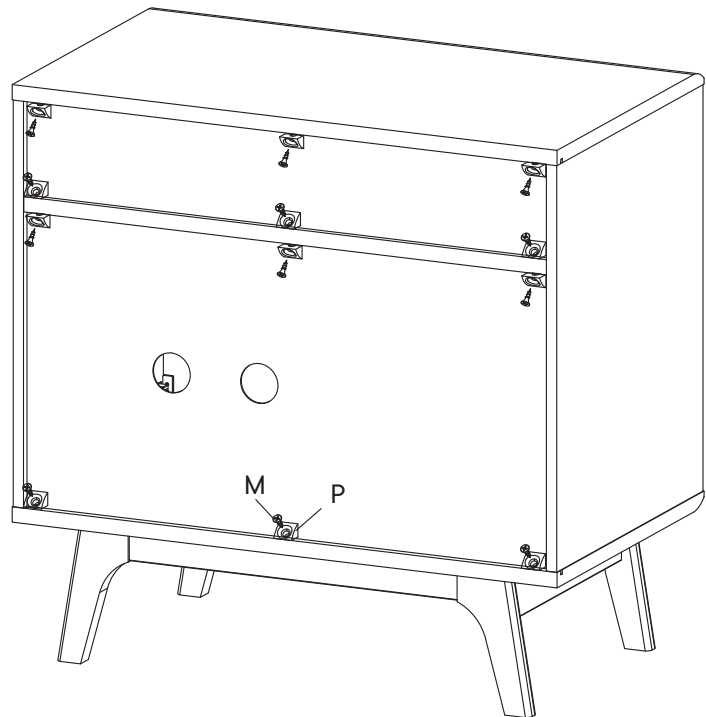
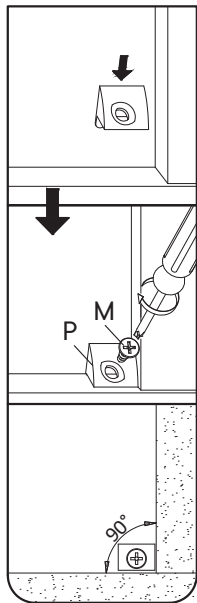
# Step 20



# Step 21

## HARDWARE

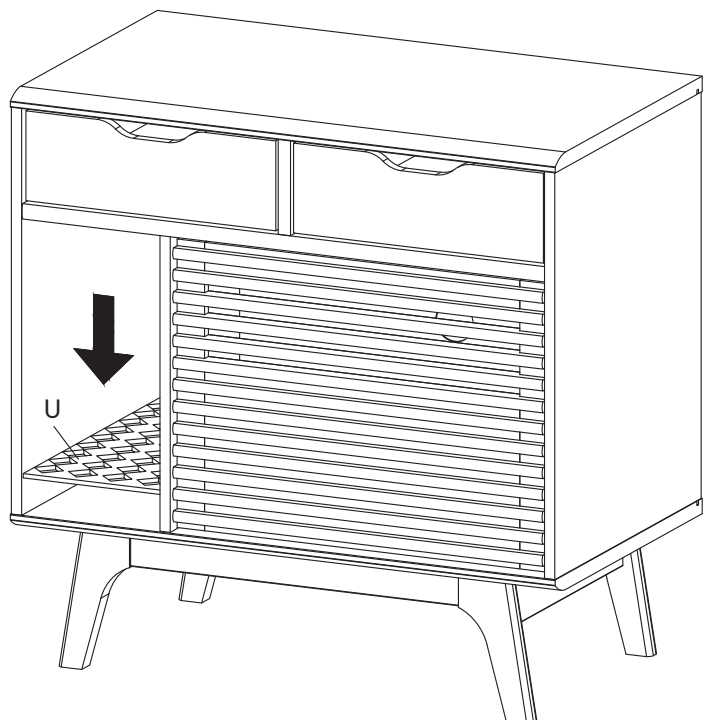
- M** Screw M 3.5 x 15.5 mm x12
- P** Wedge x12



# Step 22

## HARDWARE

- U** Flooring Mat x1



# Great job!

Pet Cabinet assembly is complete.

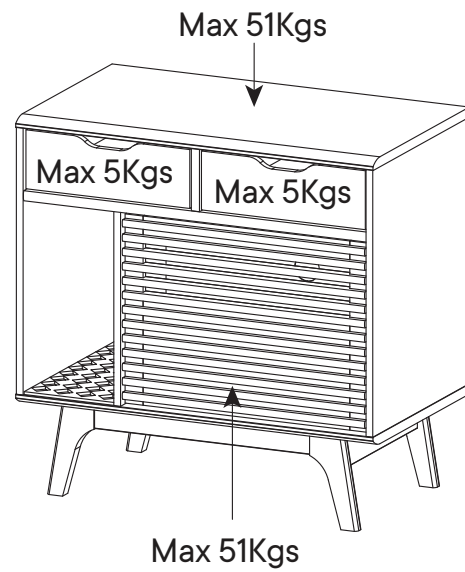
## ♥ CARING FOR YOUR ITEM

Indoor use only.

Not contract grade.

Clean using a non-abrasive cloth and a mild cleaner.

Never use harsh chemicals, as they could damage the finish or integrity of the item.



CONNECT WITH US!   

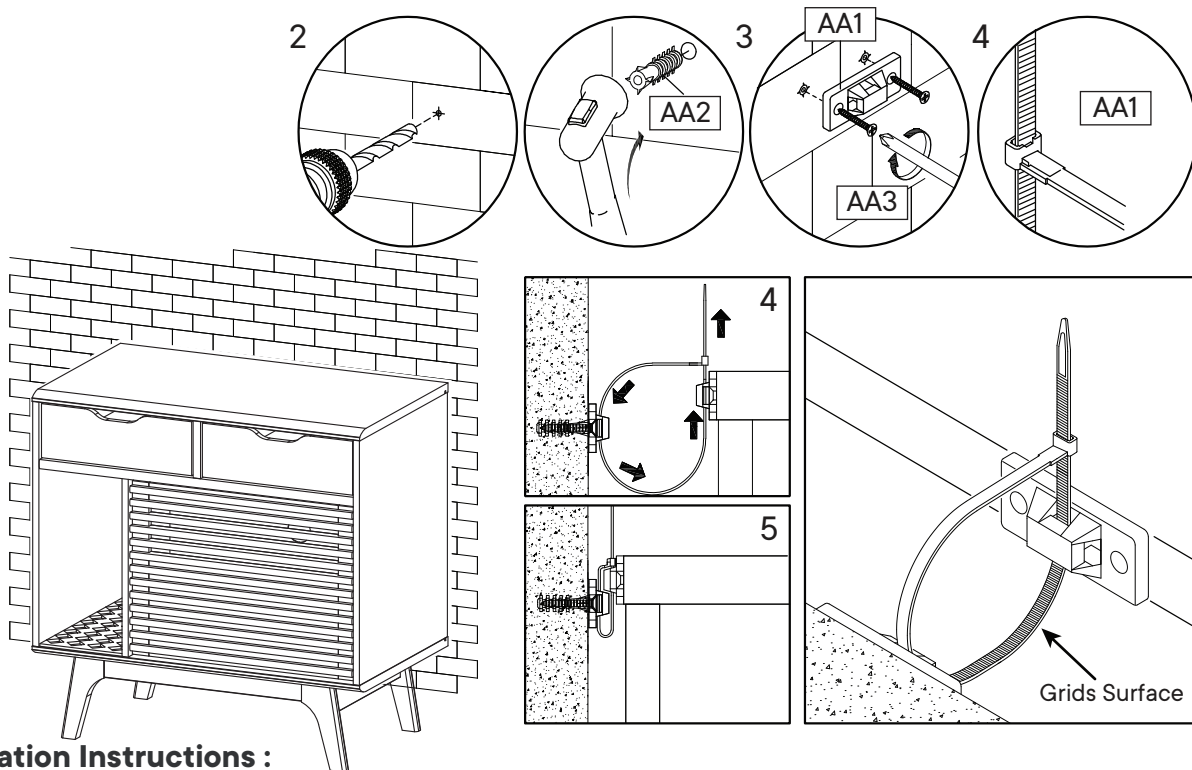
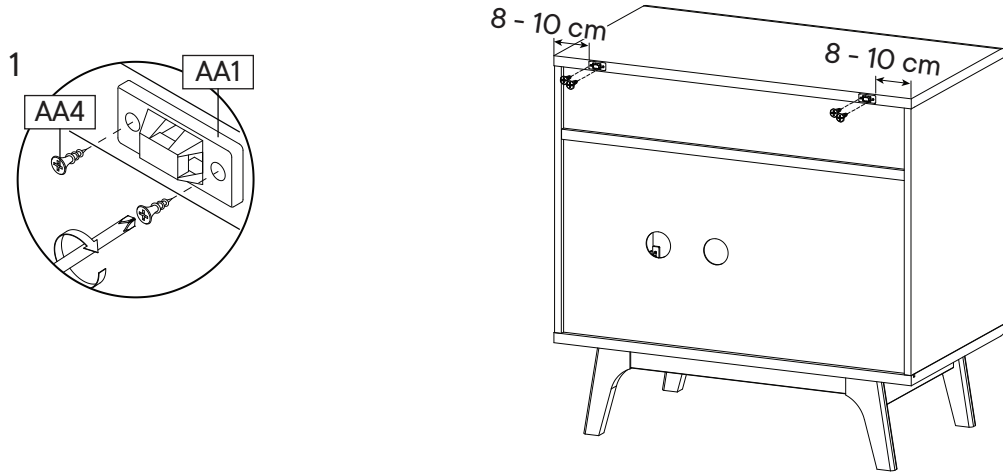
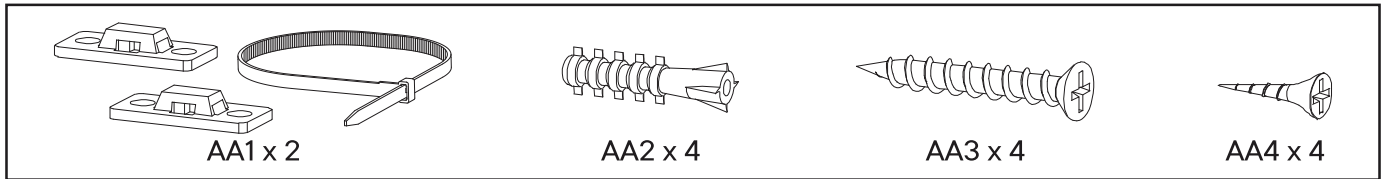
Tag us @modway\_furniture and #modway for a chance to be featured.

## TIPPING RESTRAINTS KIT INSTALLATION GUIDANCE

Different wall materials require unique wall fasteners.

The wall plugs (AA2) and screws (AA3) are designed for fixing to concrete walls only.

Please consult your local hardware store to ensure you are using the correct hardware for you wall type.



### **Installation Instructions :**

1. Attach bracket (AA1) securely to the back top of the furniture using screw (AA4) provided. Allow 8 - 10 cm from each side.
2. Please make a hole for wall plugs position on the wall and minimum 15 mm below bracket secured to the back of unit attach the wall plugs (AA2).
3. Locate the other bracket (AA1) on the wall over wall plugs (AA2). Place furniture into position so both brackets (AA1) are vertically in the line.
4. Lace the end of the restraints strap through the larger hole in each bracket. Ensure the restraints strap with grids surface facing the inner loops. Bring both ends together and slide the flat end through the locking end and draw it through until all slack is removed.
5. Make sure that the strap is securely laced & locked.