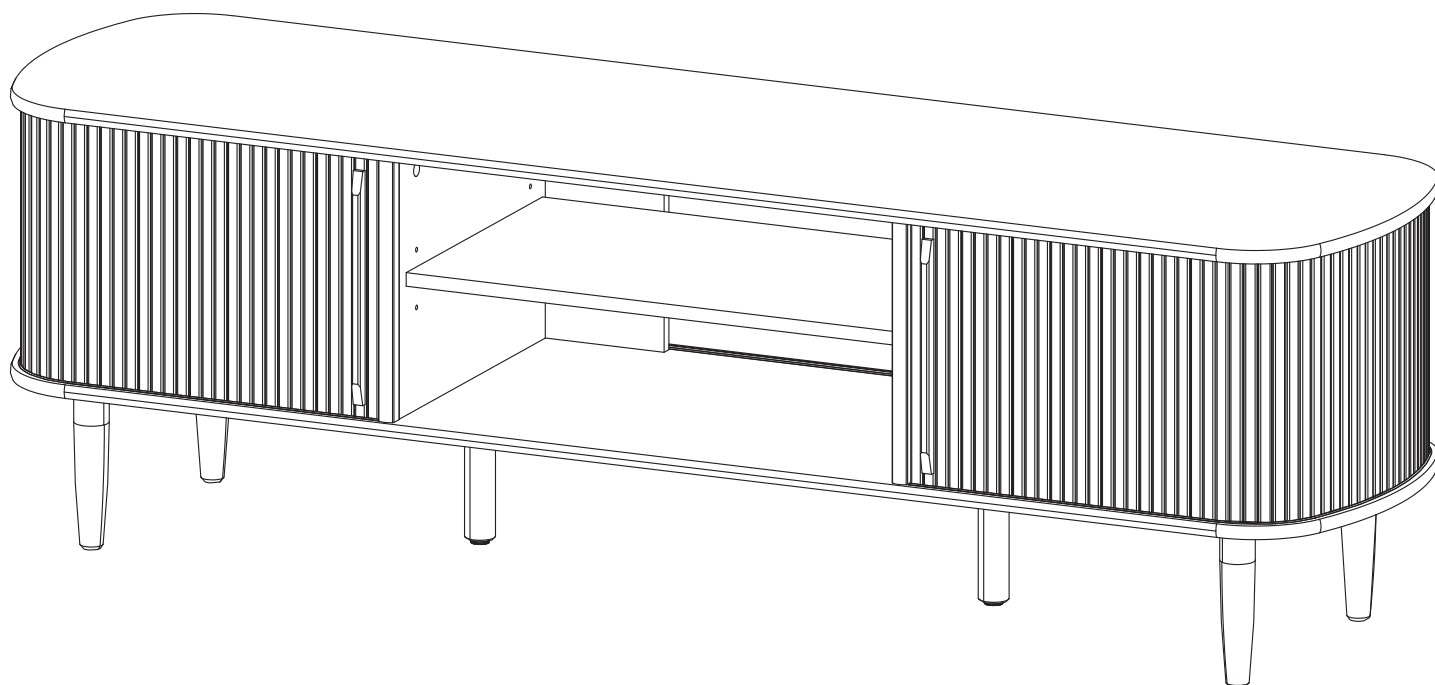


ASSEMBLY INSTRUCTIONS

EEI-6795

V0.09.22.23



Questions? Contact us!

609.256.9000 • cs@modway.com
www.modway.com

*modway



Read through all of the instructions before starting



Care instructions are listed in the last step of this manual



Approx. 60 minutes assembly time



Make sure you have all parts and components before discarding any packing materials



2 people recommended for assembly

Only use hand tools to assemble this item. Do not use power tools. Do not tighten bolts or screws completely until all hardware is lined up and inserted into the holes.

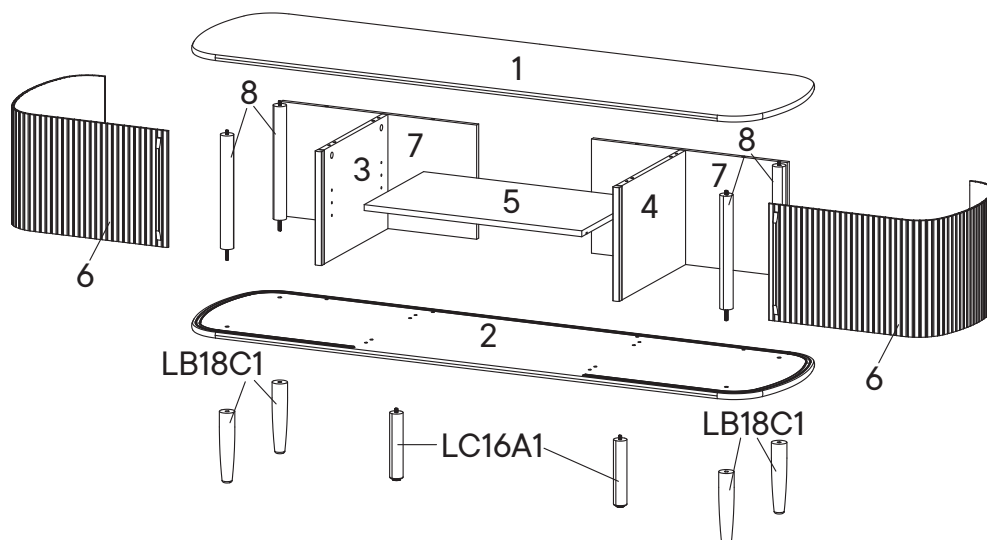
Do not over-tighten screws and bolts to avoid stripping the hardware or cracking the item.

Assemble your item on a flat, carpeted area, with plenty of space to work. This will prevent damage and scratches to your floors or the item while you're assembling the product.

Keep all components and packaging out of reach of children or animals to avoid risk of choking or suffocation.

Furniture components:

1	Top Board	x1
2	Bottom Board	x1
3	Center Board Left	x1
4	Center Board Right	x1
5	Adjustable Shelf	x1
6	Door Sliding	x2
7	Back Board	x2
8	Pillar	x4
LB18C1	Leg	x4
LC16A1	Center Leg	x2



Provided hardware:

A		Cam Bolt $\varnothing 6 \times 35$ mm	x4
B		Cam Lock $\varnothing 15$ mm	x4
C		Wood Dowel $\varnothing 8 \times 30$ mm	x8
D		Screw M 7 x 50 mm	x4
E		Allen Key	x2
F		Shelf Pin	x4
G		Screw M 4.5 x 12.5 mm	x24
H		Screw Cap $\varnothing 15$ mm	x4
I		Wood Dowel $\varnothing 6 \times 30$ mm	x8

PM3		Mounting Plate	x4
-----	--	----------------	----

PM2		Mounting Plate	x2
-----	--	----------------	----

What you need:



Wait!

Missing parts or hardware? Need assistance?
Contact us before returning your item. We're here to help!
609.256.9000 • cs@modway.com

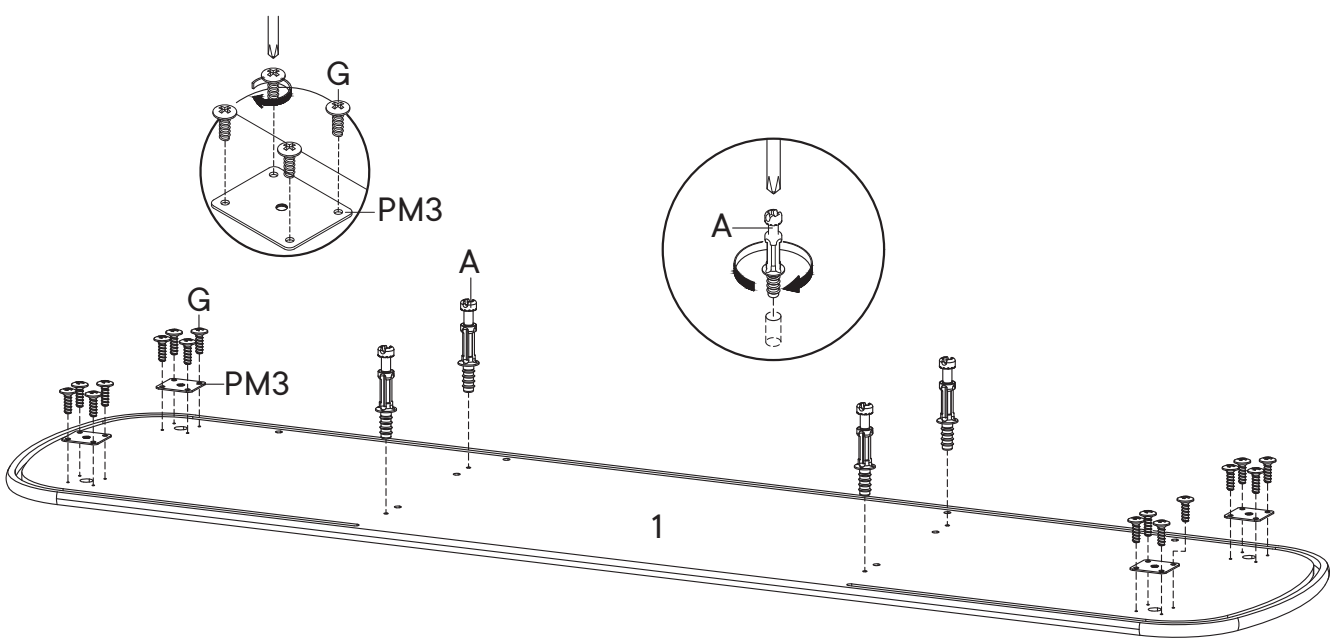
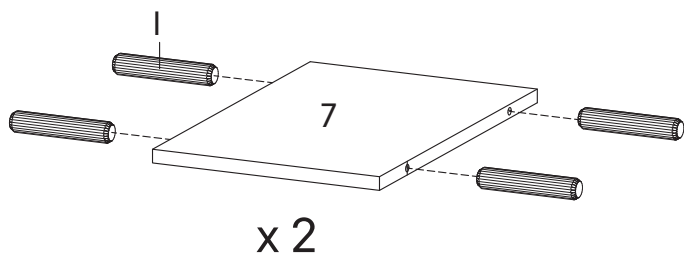
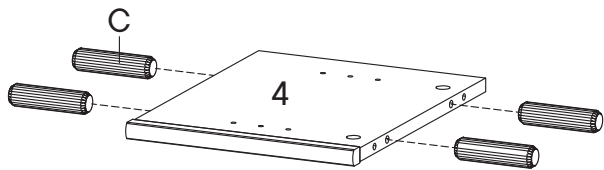
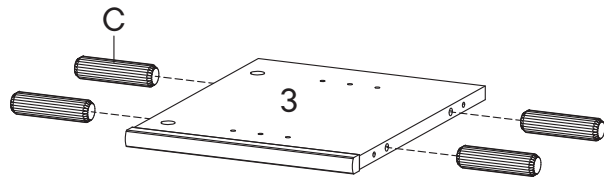
Step 1

HARDWARE

A	Cam Bolt $\varnothing 6 \times 35$ mm	x4
C	Wood Dowel $\varnothing 8 \times 30$ mm	x8
G	Screw M 4.5 x 12.5 mm	x16
I	Wood Dowel $\varnothing 6 \times 30$ mm	x8
PM3	Mounting Plate	x4

COMPONENTS

1	Top Board	x1
3	Center Board Left	x1
4	Center Board Right	x1
7	Back Board	x2



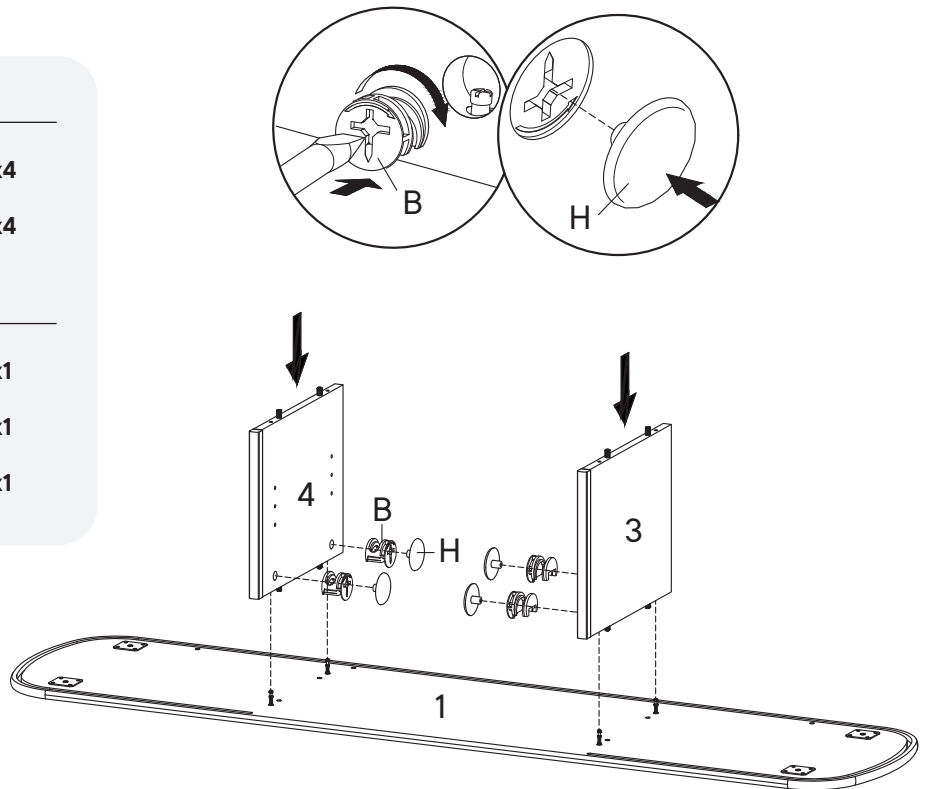
Step 2

HARDWARE

- B** Cam Lock Ø15 mm x4
- H** Screw Cap Ø15 mm x4

COMPONENTS

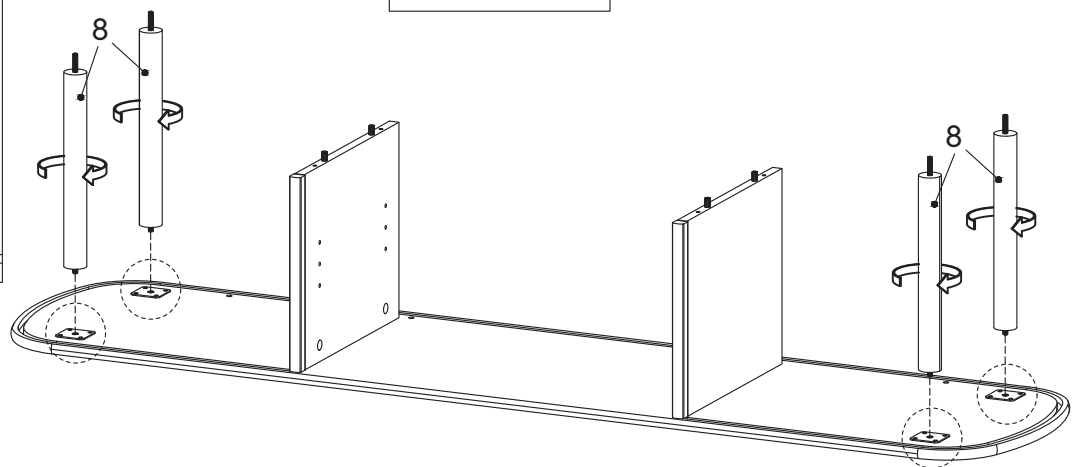
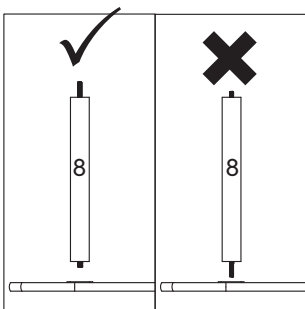
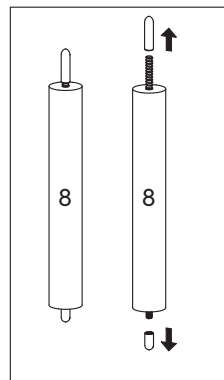
- 1** Top Board x1
- 3** Center Board Left x1
- 4** Center Board Right x1



Step 3

COMPONENTS

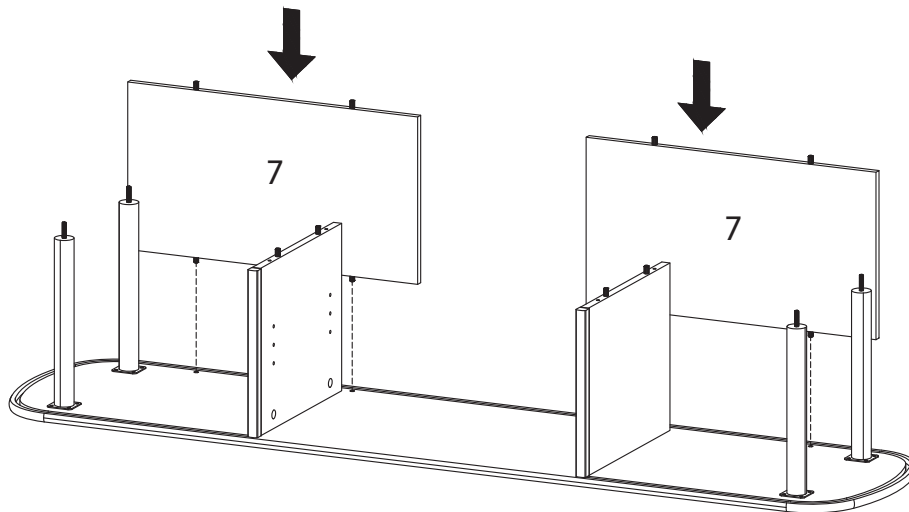
- 8** Pilar x4



Step 4

COMPONENTS

- 7 Back Board x2



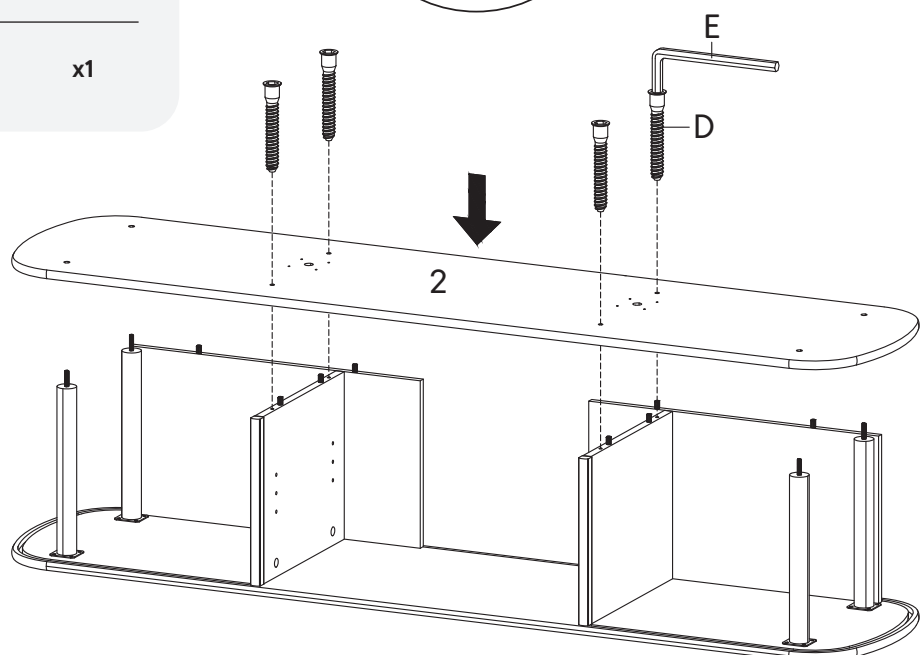
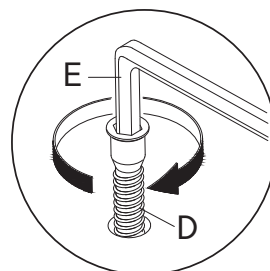
Step 5

HARDWARE

- D Screw M 7 x 50 mm x4
- E Allen Key x1

COMPONENTS

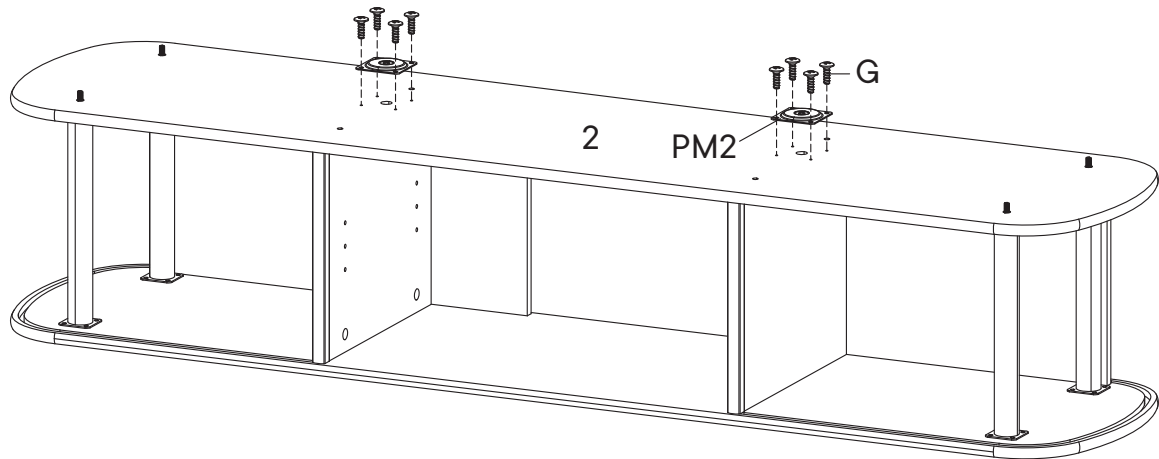
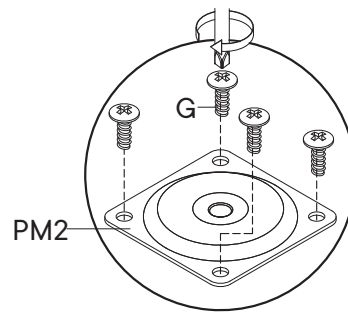
- 2 Bottom Board x1



Step 6

HARDWARE

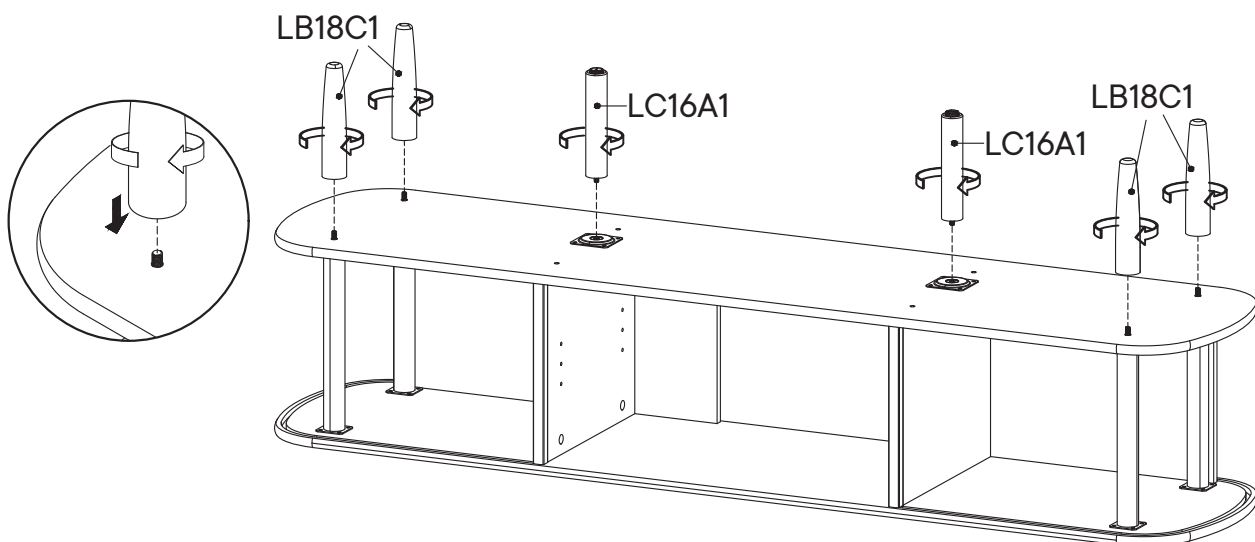
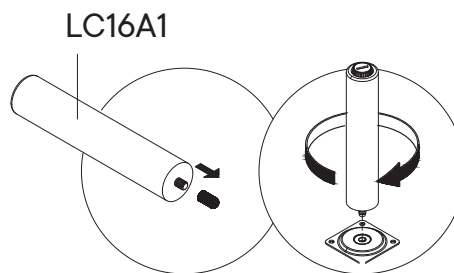
- G** Screw M 4.5 x 12.5 mm x8
- PM2** Mounting Plate x2



Step 7

COMPONENTS

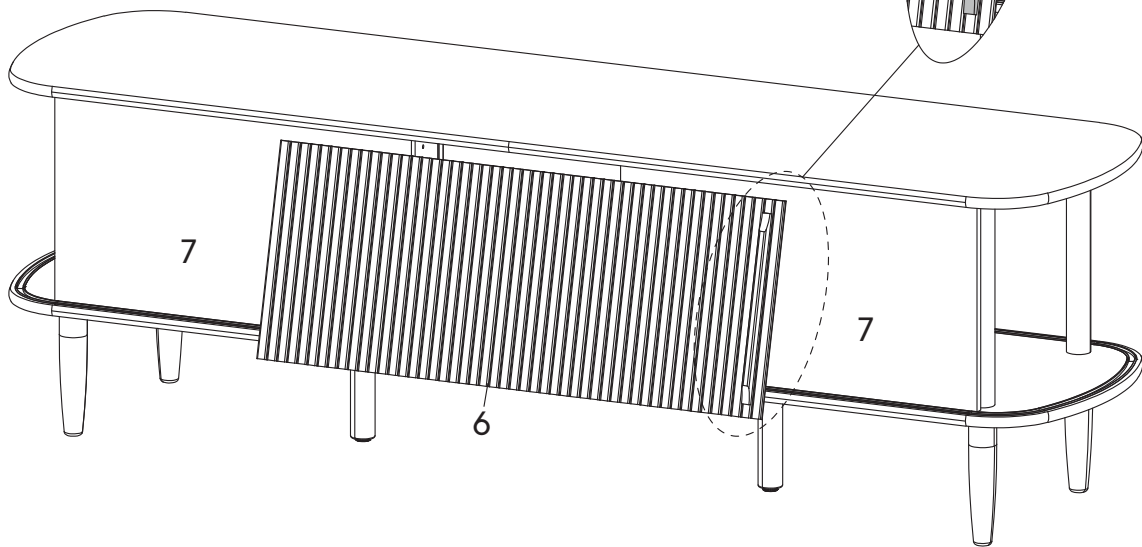
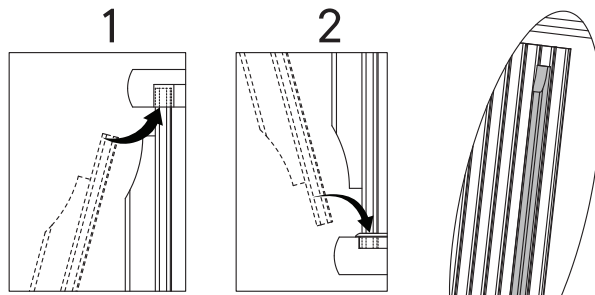
- LB18C1** Leg x4
- LC16A1** Center Leg x2



Step 8

COMPONENTS

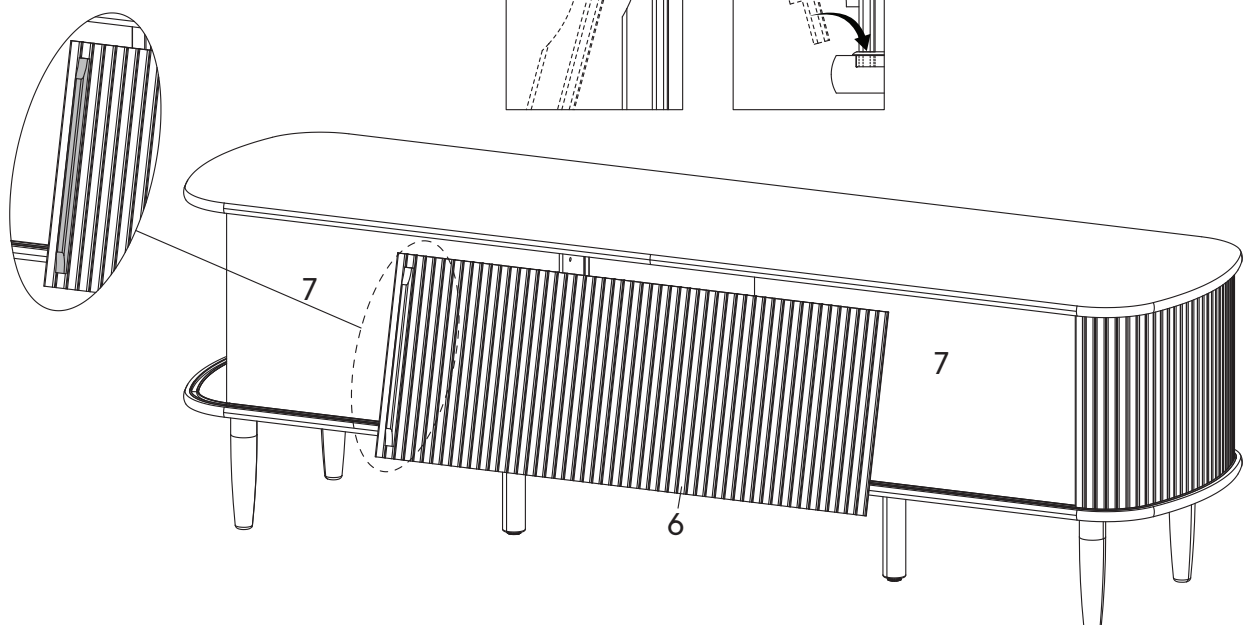
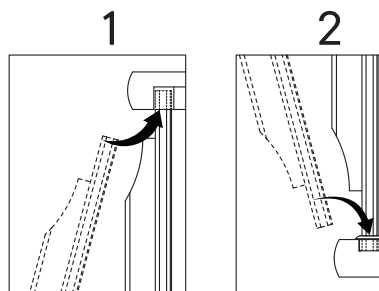
6 Door Sliding x1



Step 9

COMPONENTS

6 Door Sliding x1



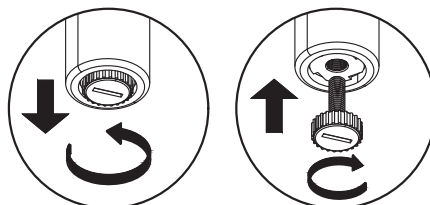
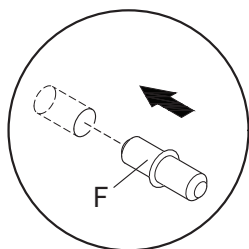
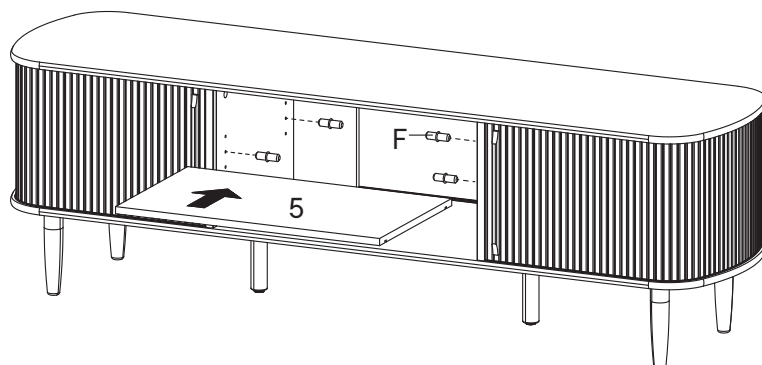
Step 10

HARDWARE

F Shelf Pin x4

COMPONENTS

5 Adjustable Shelf x1



Great job!

TV Stand assembly is complete.

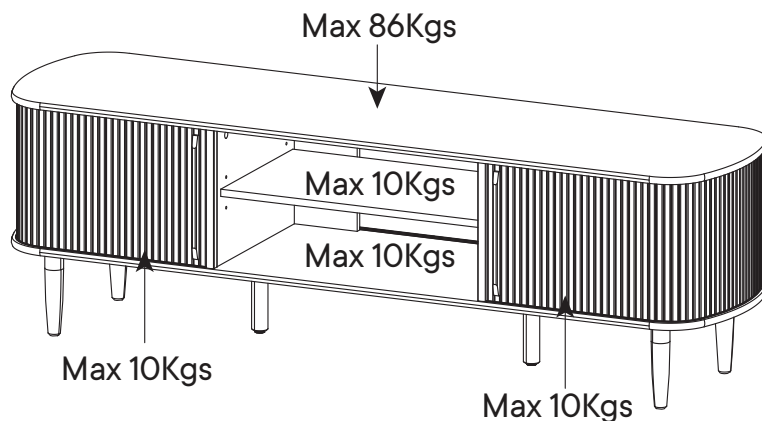
♥ CARING FOR YOUR ITEM

Indoor use only.

Not contract grade.

Clean using a non-abrasive cloth and a mild cleaner.

Never use harsh chemicals, as they could damage the finish or integrity of the item.



CONNECT WITH US!   

Tag us @modway_furniture and #modway for a chance to be featured.