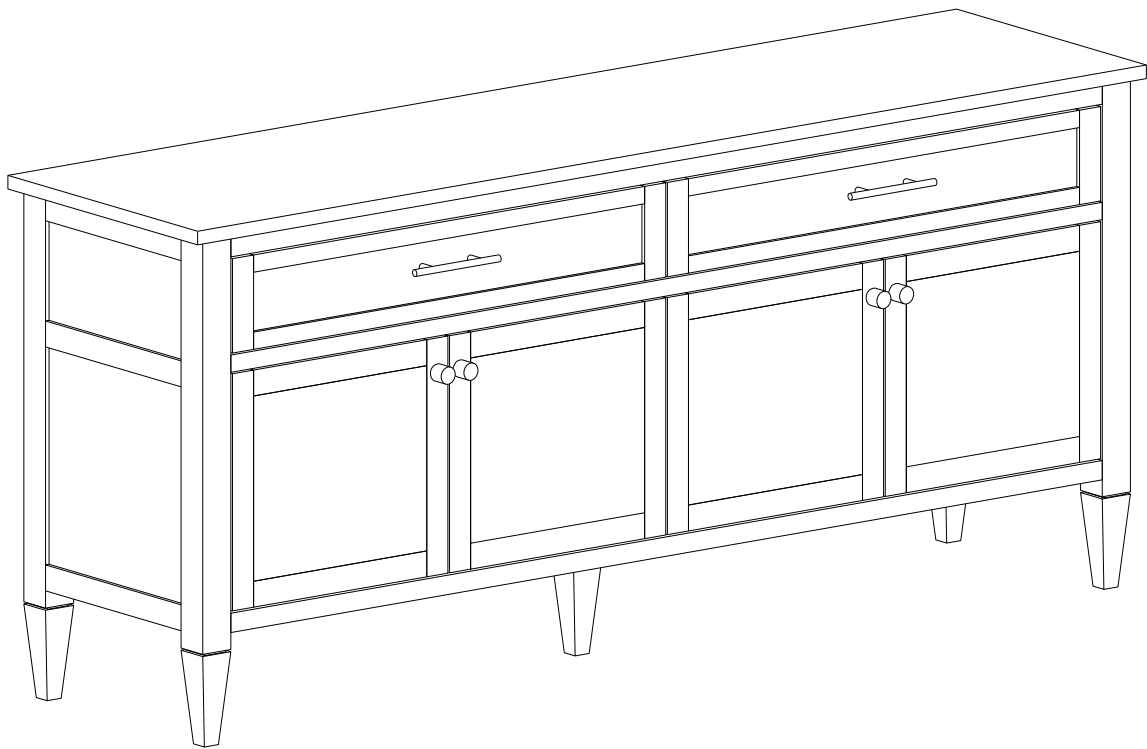


ASSEMBLY INSTRUCTIONS

EEI-6794

VO.15.01.24



Questions? Contact us!

609.256.9000 • cs@modway.com
www.modway.com

*modway



Read through all of the instructions before starting



Care instructions are listed in the last step of this manual



Approx. 90 minutes assembly time



Make sure you have all parts and components before discarding any packing materials



2 people recommended for assembly

Only use hand tools to assemble this item. Do not use power tools. Do not tighten bolts or screws completely until all hardware is lined up and inserted into the holes.

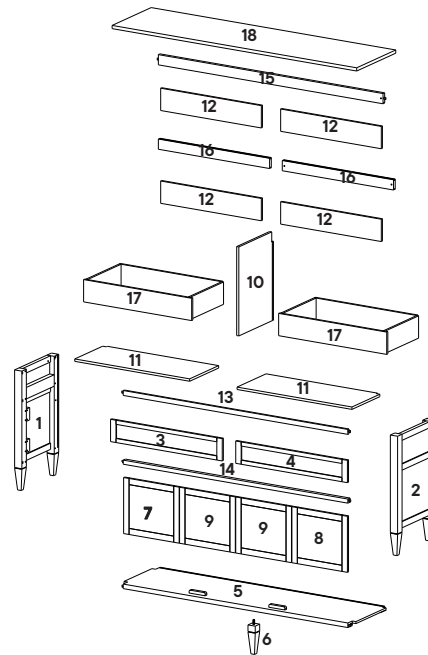
Do not over-tighten screws and bolts to avoid stripping the hardware or cracking the item.

Assemble your item on a flat, carpeted area, with plenty of space to work. This will prevent damage and scratches to your floors or the item while you're assembling the product.

Keep all components and packaging out of reach of children or animals to avoid risk of choking or suffocation.

Furniture components:

1	Left Panel	x 1	11	Shelf	x 2
2	Right Panel	x 1	12	Back Panel	x 4
3	Front Drawer Panel L	x 1	13	Front Rail Upper	x 1
4	Front Drawer Panel R	x 1	14	Front Rail Middle	x 1
5	Bottom Panel	x 1	15	Back Rail Upper	x 1
6	Leg Middle	x 1	16	Middle Back Rail	x 2
7	Left Door	x 1	17	Drawer	x 2
8	Right Door	x 1	18	Top	x 1
9	Middle Door	x 2			
10	Middle Panel	x 1			



Provided hardware:

A		Allen Bolt M6 x 16mm	x 31	J		Handle	x 2
B		Allen Key	x 1	K		Knob	x 4
C		Hinge 15°	x 2 Set	L		Drawer Channel	x 2 Set
D		Screw M4.5 x 16mm	x 59	M		Allen Bolt M6x12mm	x 2
E		Shelf Support 20x25mm	x 4	N		Support 25x25mm	x 10
F		Support 50x25mm	x 3	O		Screw M4x14mm	x 26
G		Hinge 8°	x 2 Set	P		Screw M4x30mm	x 4
H		Allen Bolt M6 x 50mm	x 2	Q		Screw M4x32mm	x 4
I		Allen Bolt M6 x 25mm	x 6	R		Adjustable Leveler	x 5

What you need:



Wait!

Missing parts or hardware? Need assistance?
Contact us before returning your item. We're here to help!
609.256.9000 • cs@modway.com

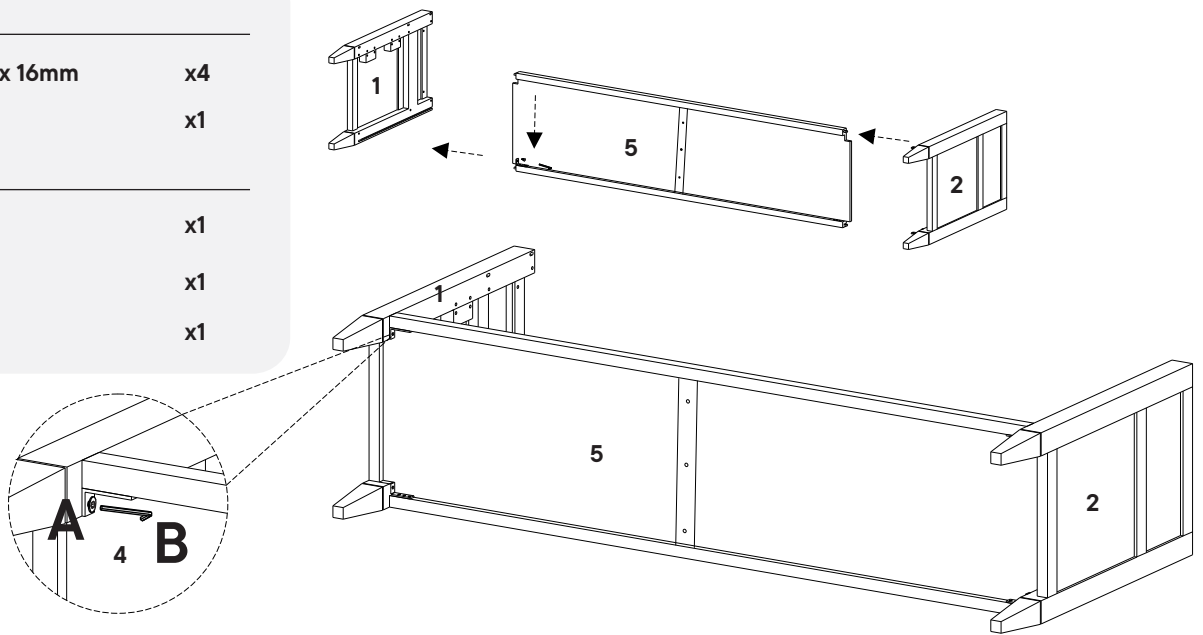
Step 1

HARDWARE

- A** Allen Bolt M6 x 16mm x4
- B** Allen Key x1

COMPONENTS

- 1** Left Panel x1
- 2** Right Panel x1
- 5** Bottom Panel x1



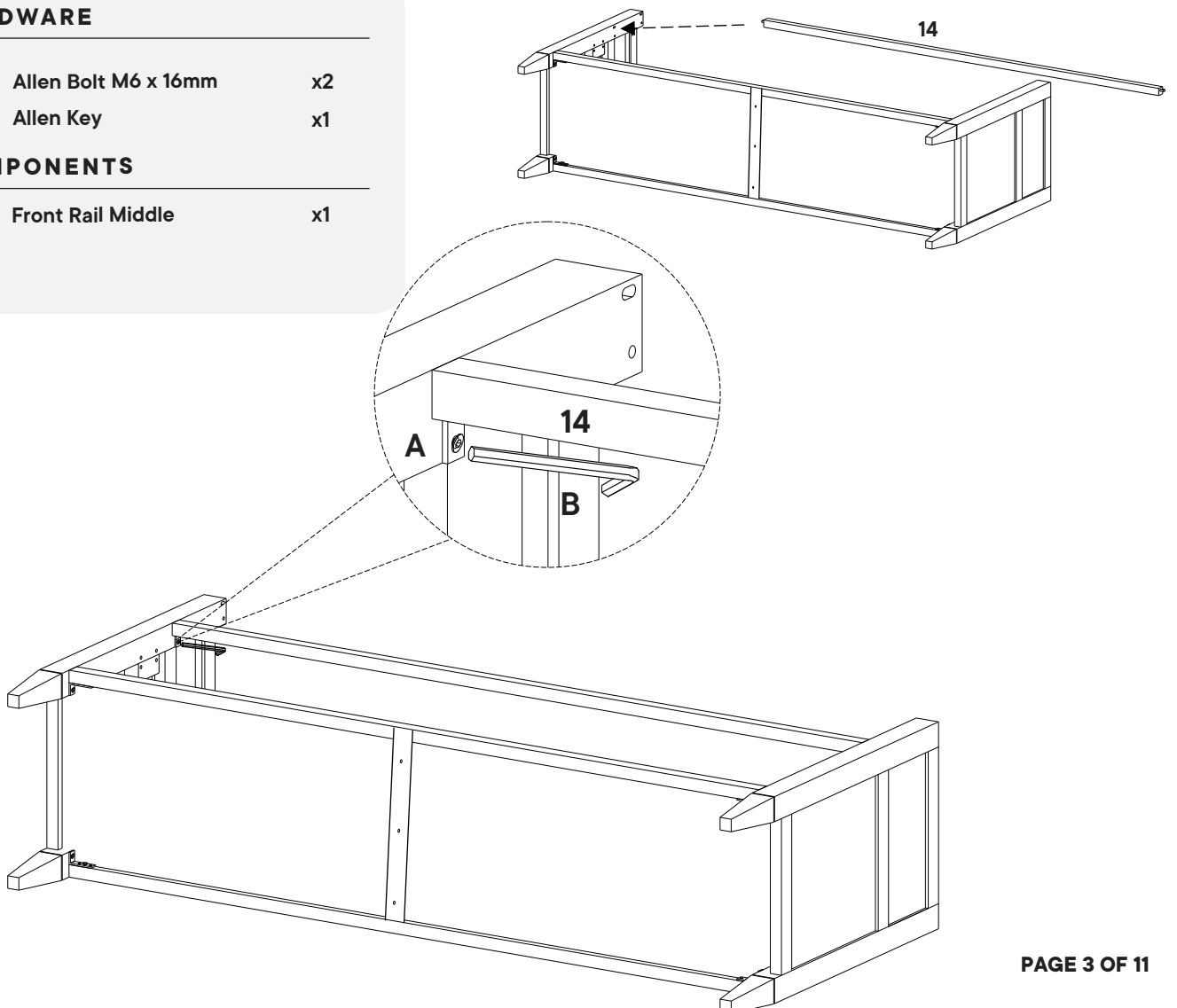
Step 2

HARDWARE

- A** Allen Bolt M6 x 16mm x2
- B** Allen Key x1

COMPONENTS

- 14** Front Rail Middle x1



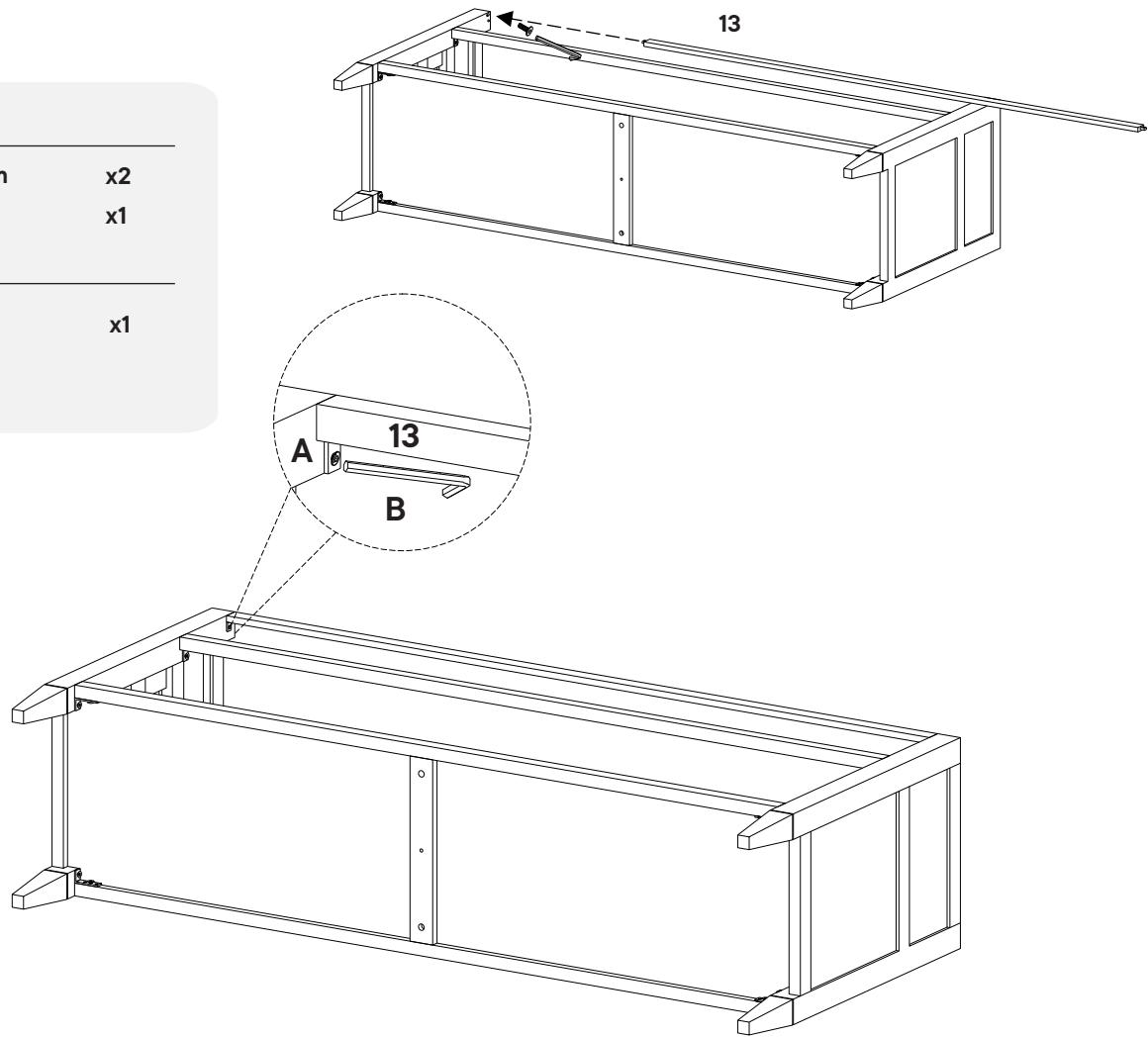
Step 3

HARDWARE

- A** Allen Bolt M6 x 16mm x2
- B** Allen Key x1

COMPONENTS

- 13** Front Rail Upper x1



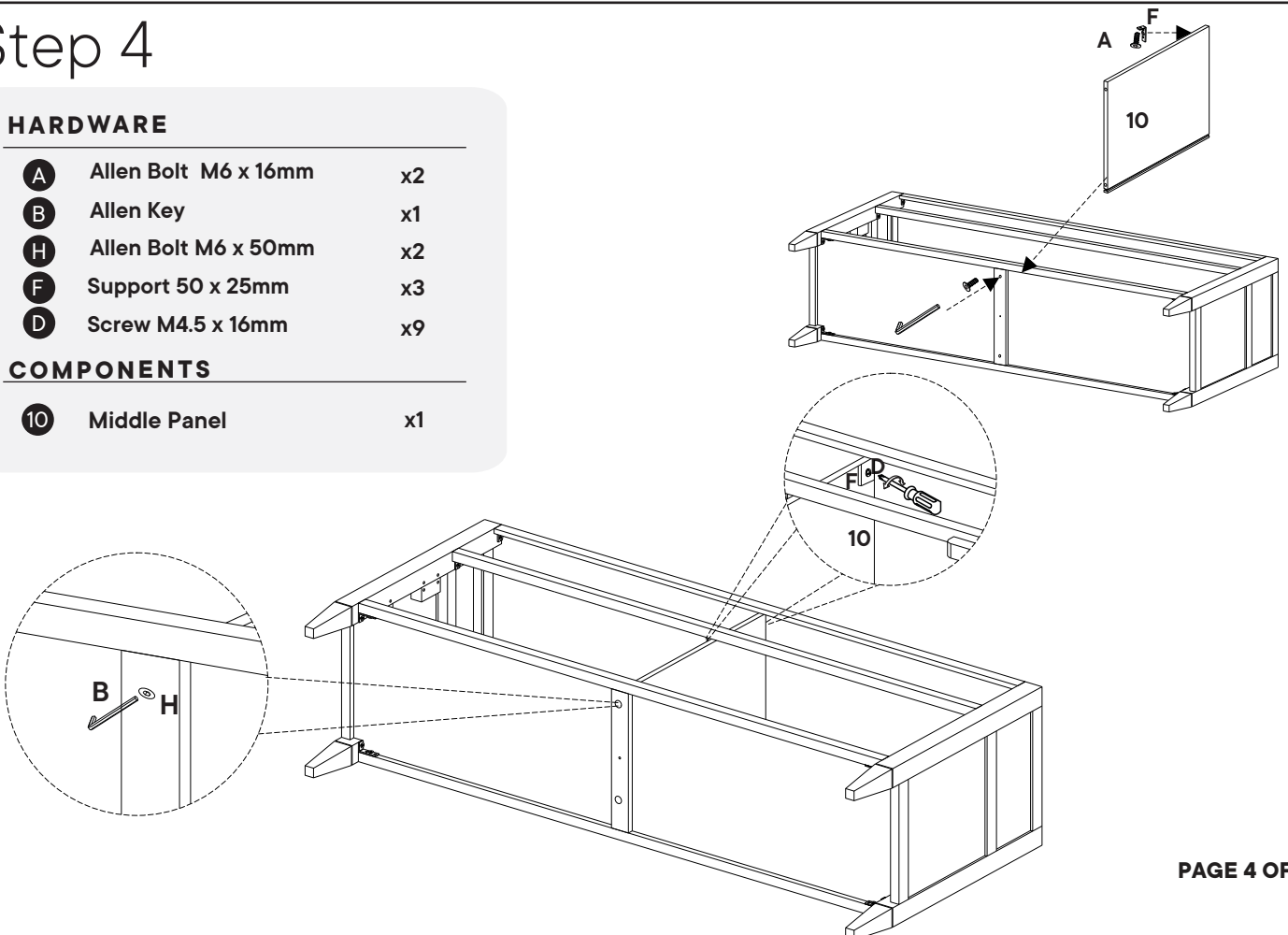
Step 4

HARDWARE

- A** Allen Bolt M6 x 16mm x2
- B** Allen Key x1
- H** Allen Bolt M6 x 50mm x2
- F** Support 50 x 25mm x3
- D** Screw M4.5 x 16mm x9

COMPONENTS

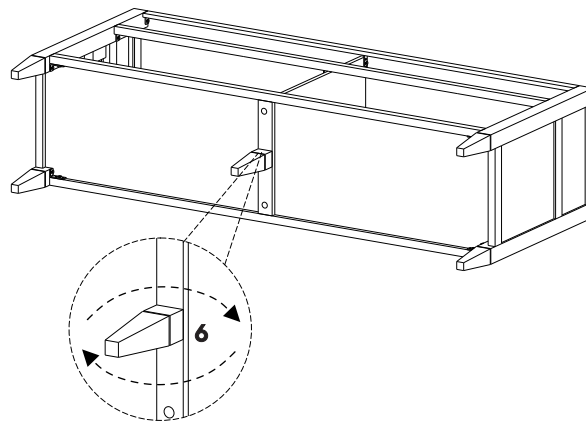
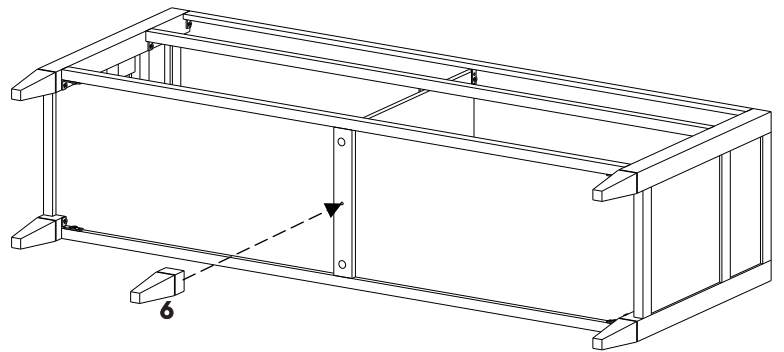
- 10** Middle Panel x1



Step 5

COMPONENTS

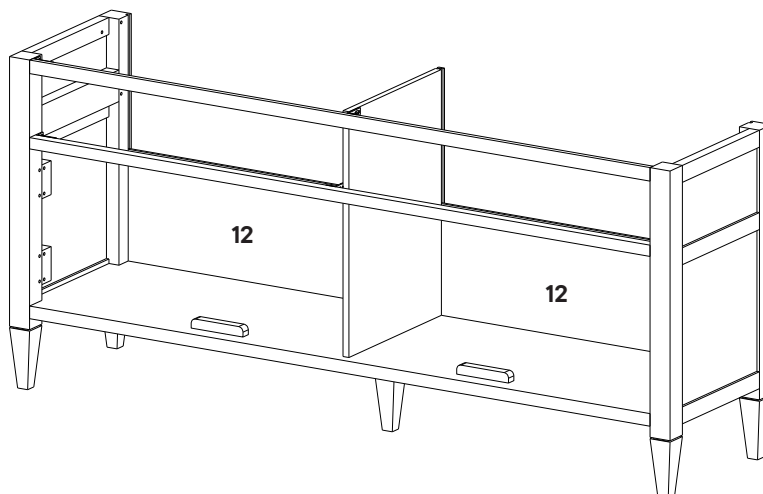
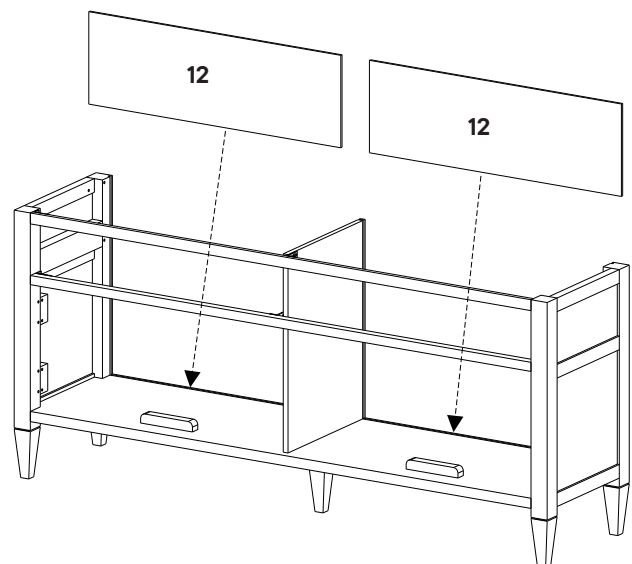
6 Middle Leg x1



Step 6

COMPONENTS

12 Back Panel x2



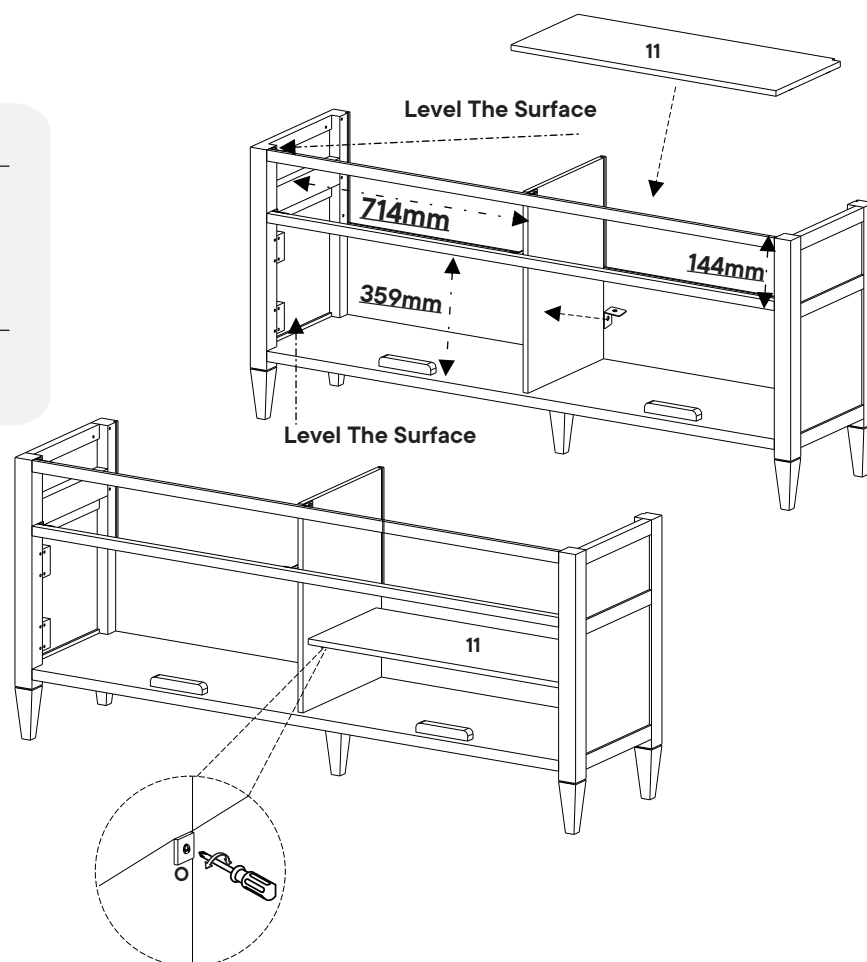
Step 7

HARDWARE

- E** Shelf support 20X25mm x4
- O** Screw M4 x 14mm x4

COMPONENTS

- 11** Shelf x2



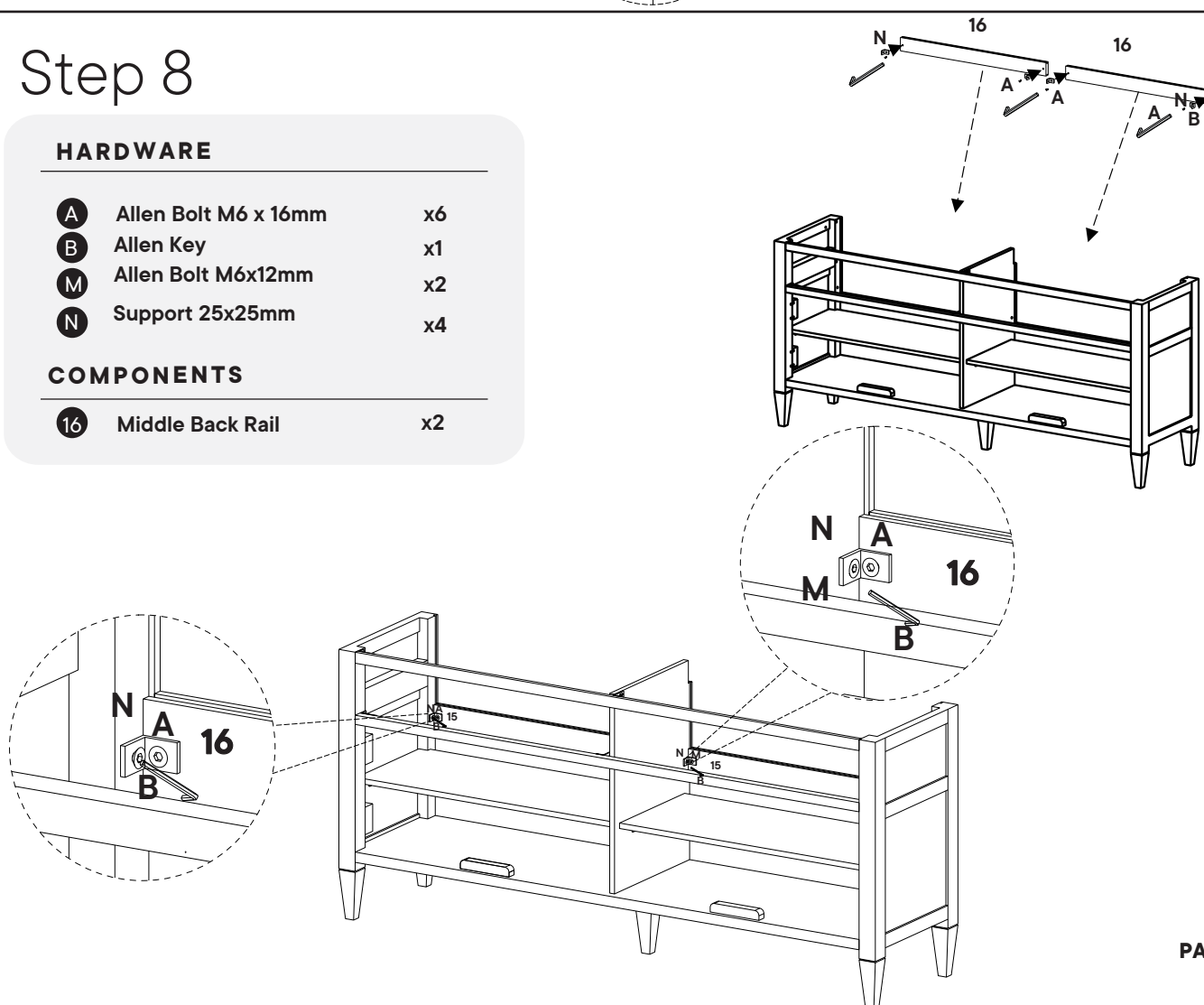
Step 8

HARDWARE

- A** Allen Bolt M6 x 16mm x6
- B** Allen Key x1
- M** Allen Bolt M6x12mm x2
- N** Support 25x25mm x4

COMPONENTS

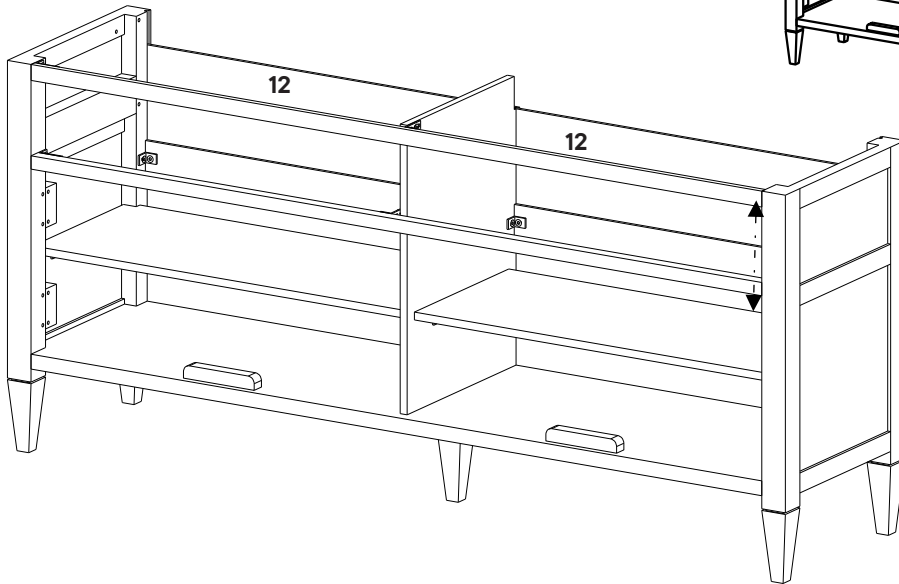
- 16** Middle Back Rail x2



Step 9

COMPONENTS

- 12 Back Panel x2



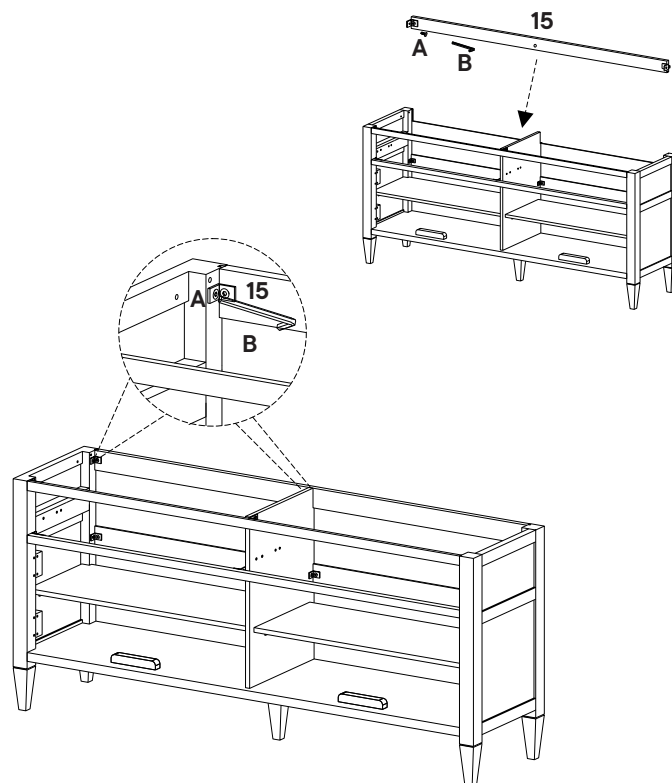
Step 10

HARDWARE

- A Allen Bolt M6 x 16mm x3
- B Allen Key x1

COMPONENTS

- 15 Back Rail Upper x1



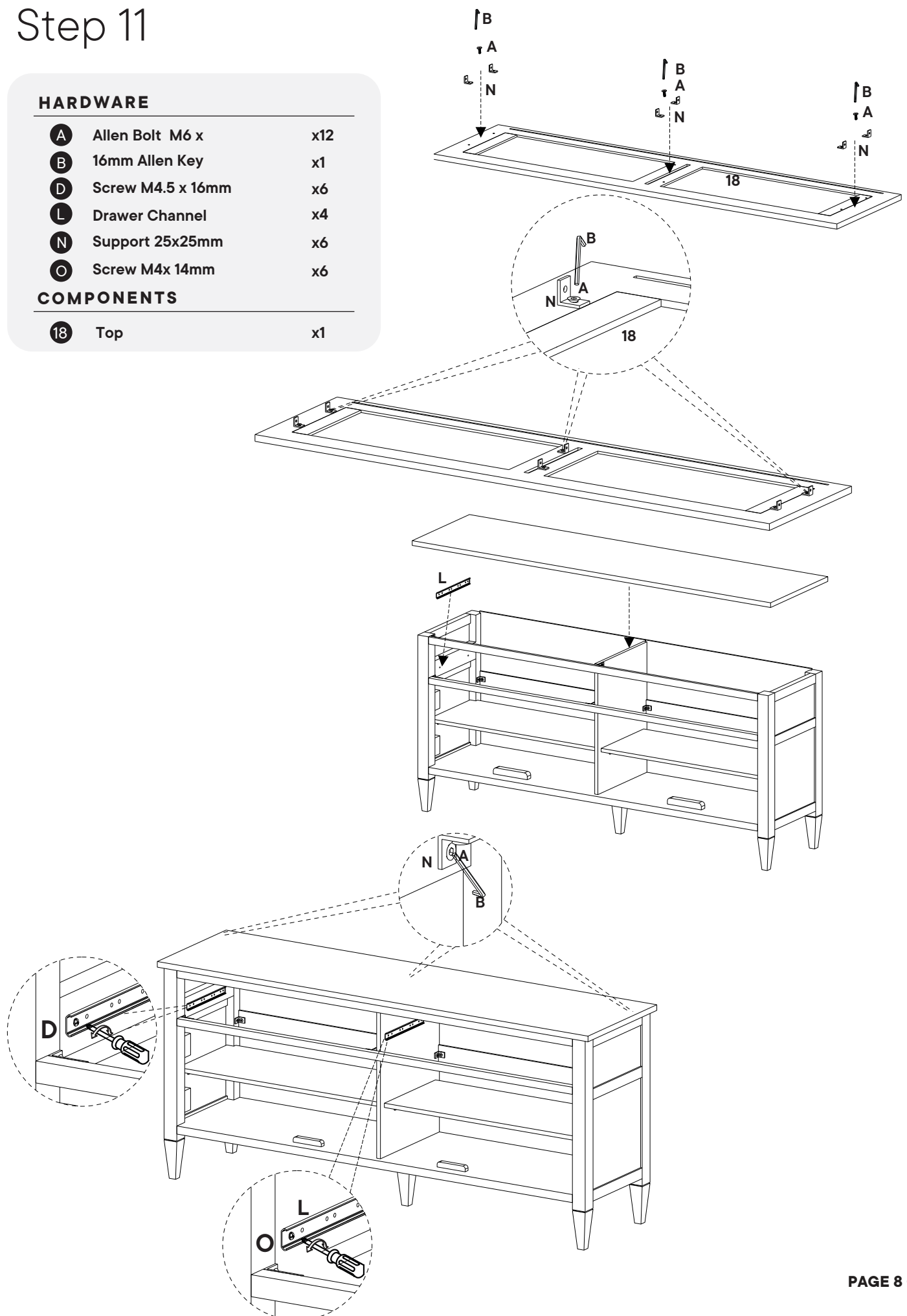
Step 11

HARDWARE

A	Allen Bolt M6 x	x12
B	16mm Allen Key	x1
D	Screw M4.5 x 16mm	x6
L	Drawer Channel	x4
N	Support 25x25mm	x6
O	Screw M4x 14mm	x6

COMPONENTS

18	Top	x1
-----------	-----	----



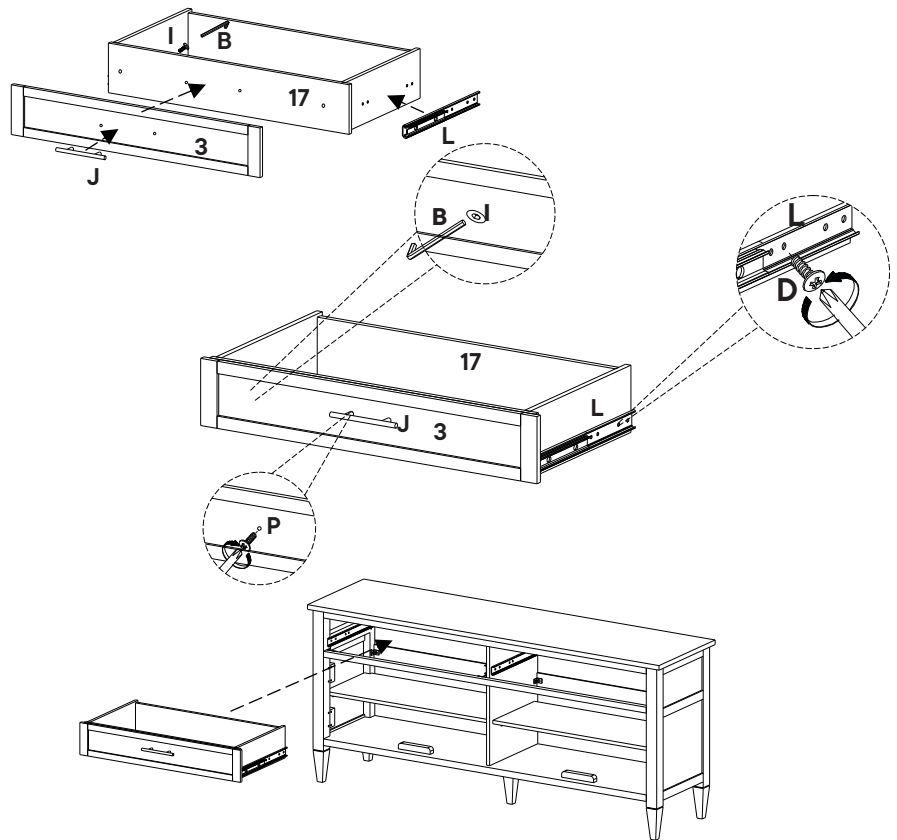
Step 12

HARDWARE

D	Screw M4.5 x 16mm	x12
I	Allen Key Bolt M6 x 25mm	x6
B	Allen Key	x1
L	Drawer Channel	x4
J	Handle	x2
P	Screw M4 x 30mm	x4

COMPONENTS

3	Front Drawer Panel L	x1
4	Front Drawer Panel R	x1
17	Drawer	x2



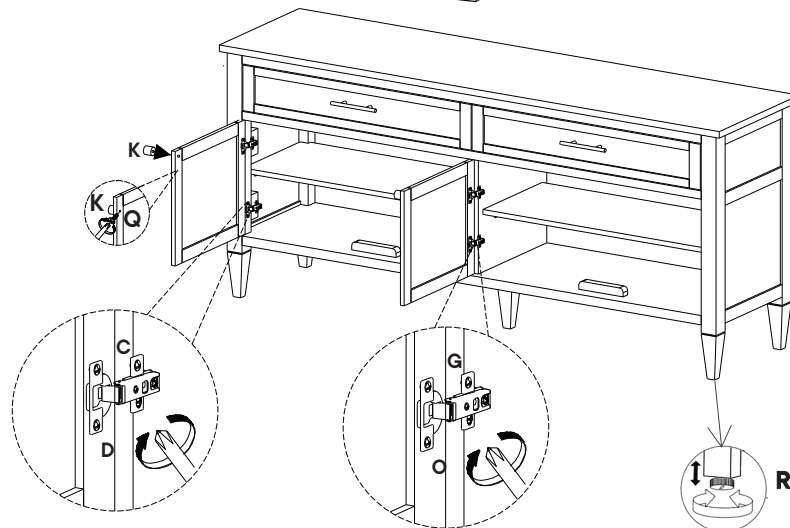
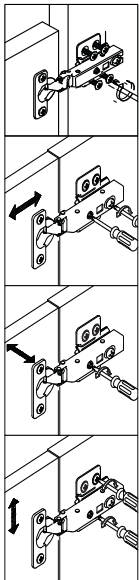
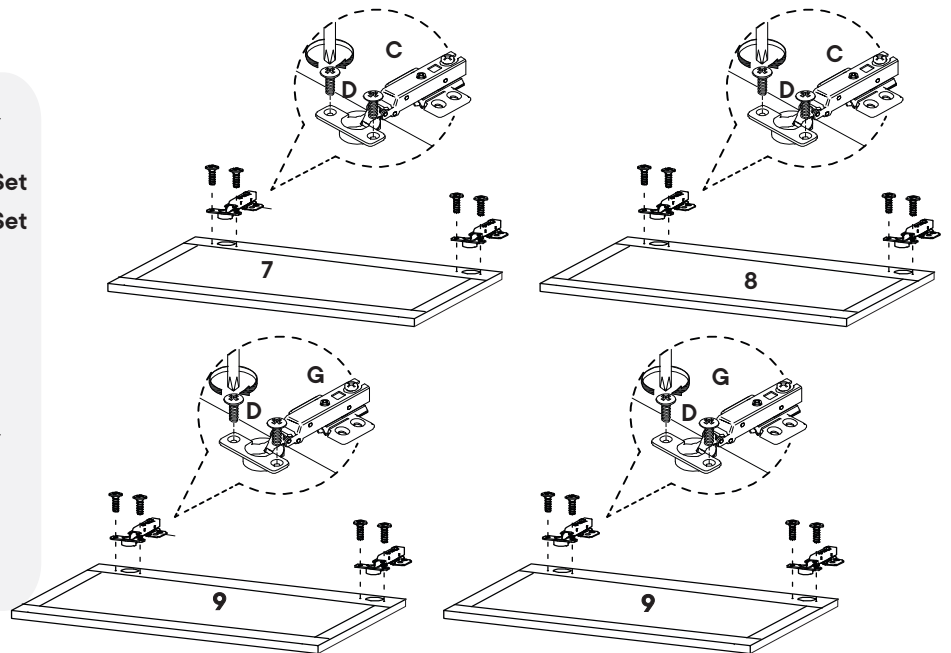
Step 13

HARDWARE

D	Screw M4.5 x 16mm	x32
C	Hinge 15°	x2 Set
G	Hinge 8°	x2 Set
K	Knob	x4
O	Screw M4 x 14mm	x16
Q	Screw M4 x 32mm	x4
R	Adjustable Leveler	x5

COMPONENTS

7	Left Side Door	x1
9	Middle Door	x2
8	Right Side Door	x1



Great job!

Sideboard assembly is complete.



CARING FOR YOUR ITEM

Indoor use only.

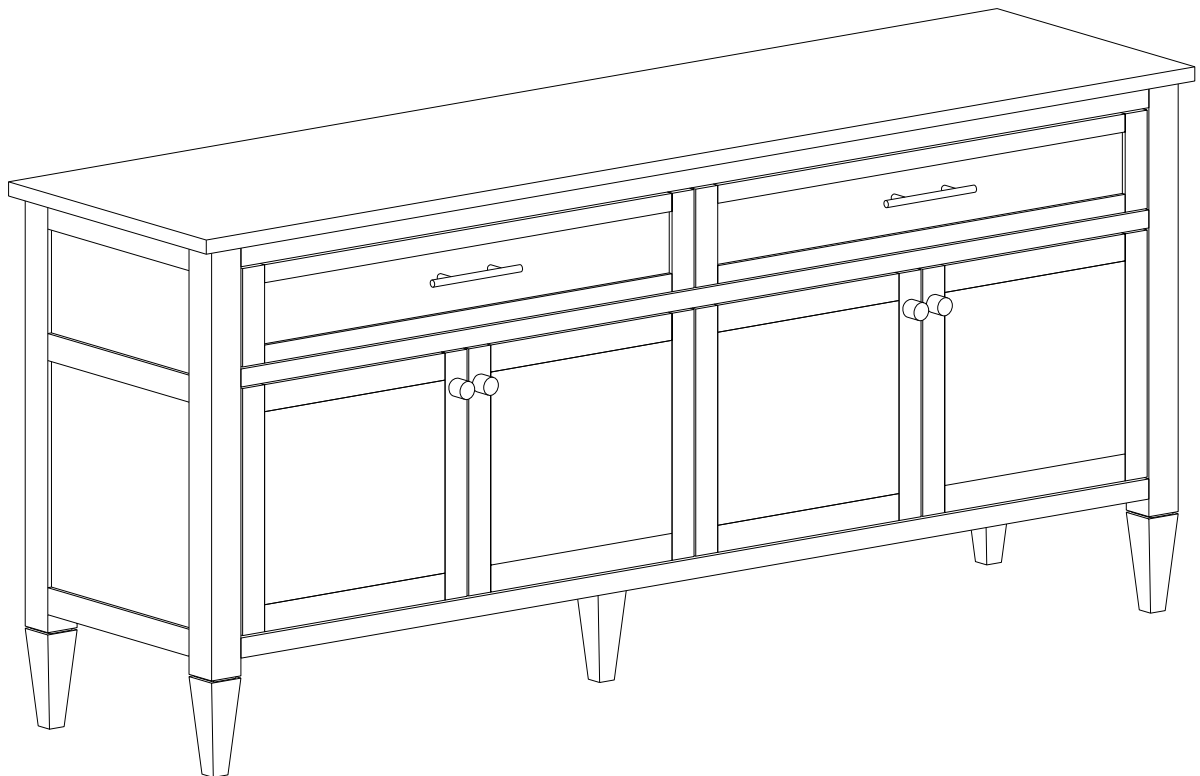
Not contract grade.

Clean using a non-abrasive cloth and a mild cleaner.

Never use harsh chemicals, as they could damage the finish or integrity of the item.

CONNECT WITH US!   

Tag us [@modway_furniture](#) and [#modway](#) for a chance to be featured.

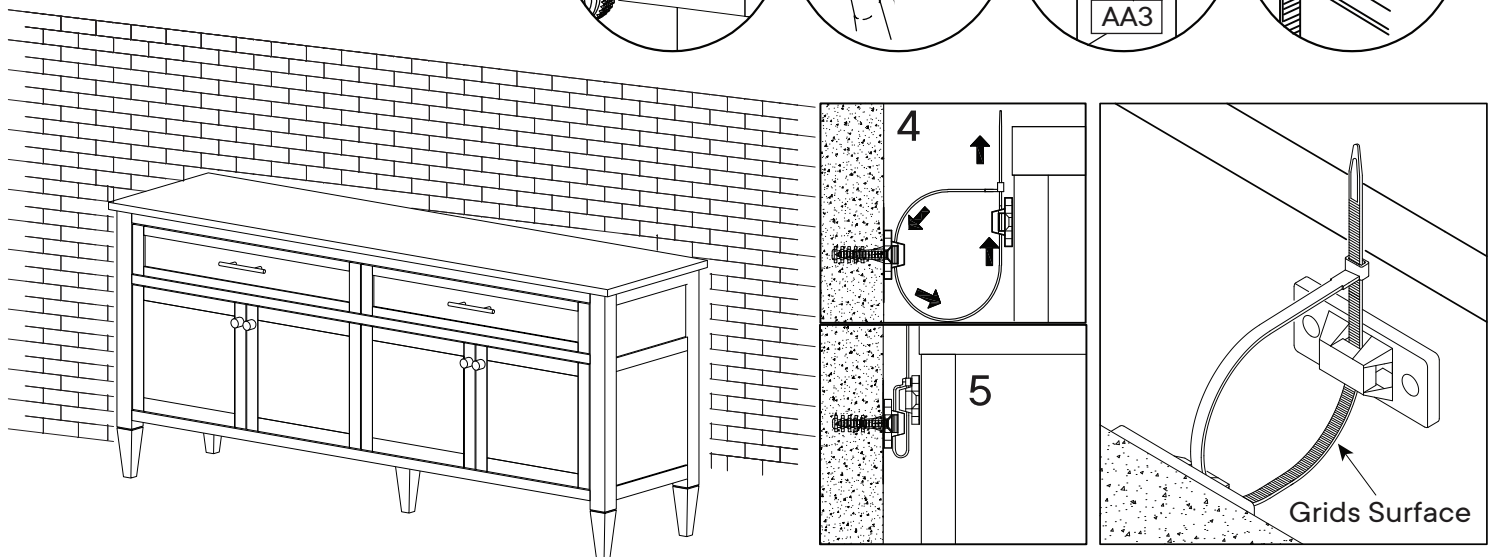
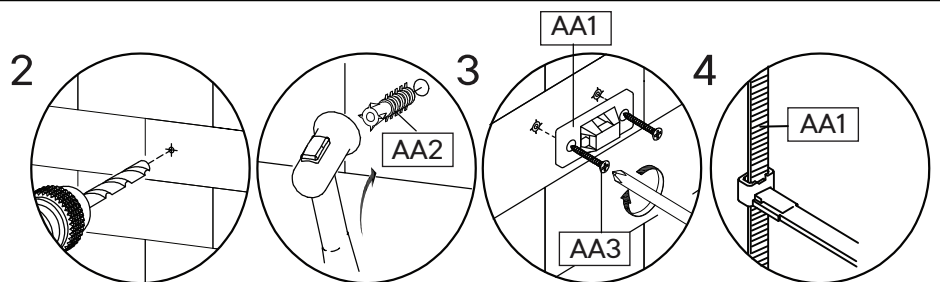
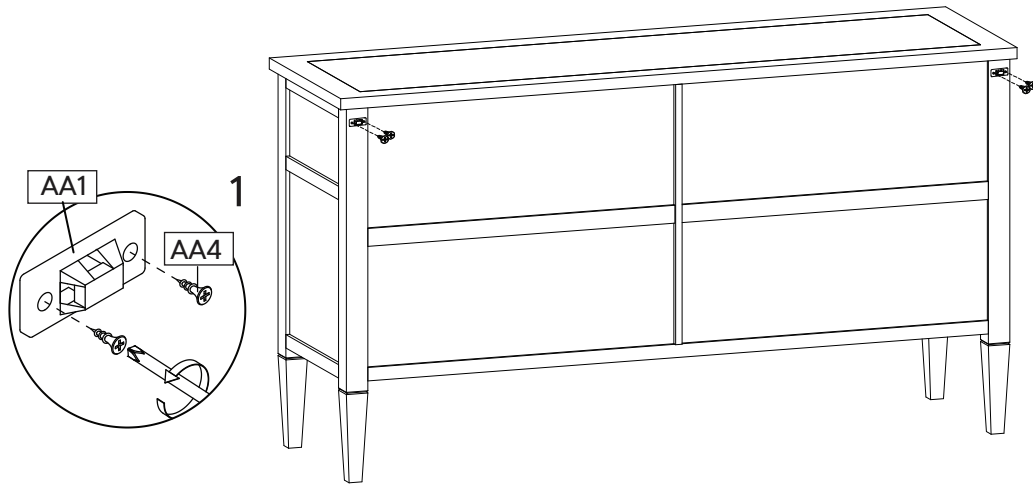
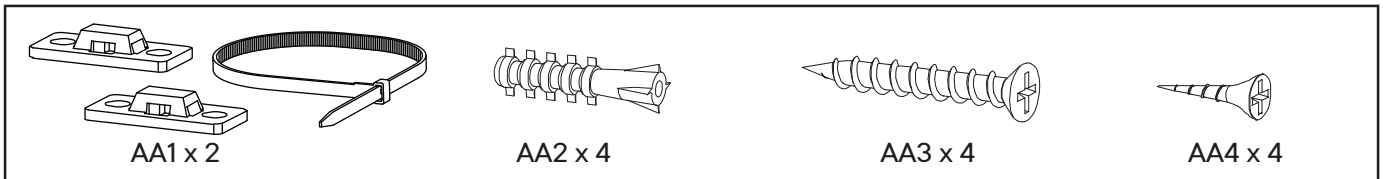


TIPPING RESTRAINTS KIT INSTALLATION GUIDANCE

Different wall materials require unique wall fasteners.

The wall plugs (AA2) and screws (AA3) are designed for fixing to concrete walls only.

Please consult your local hardware store to ensure you are using the correct hardware for your wall type.



Installation Instructions :

1. Attach bracket (AA1) securely to the back Leg of the furniture using screw (AA4) provided.
2. Please make a hole for wall plugs position on the wall and minimum 15 mm below bracket secured to the back of unit attach the wall plugs (AA2).
3. Locate the other bracket (AA1) on the wall over wall plugs (AA2). Place furniture into position so both brackets (AA1) are vertically in the line.
4. Lace the end of the restraints strap through the larger hole in each bracket. Ensure the restraints strap with grids surface facing the inner loops. Bring both ends together and slide the flat end through the locking end and draw it through until all slack is removed.
5. Make sure that the strap is securely laced & locked.