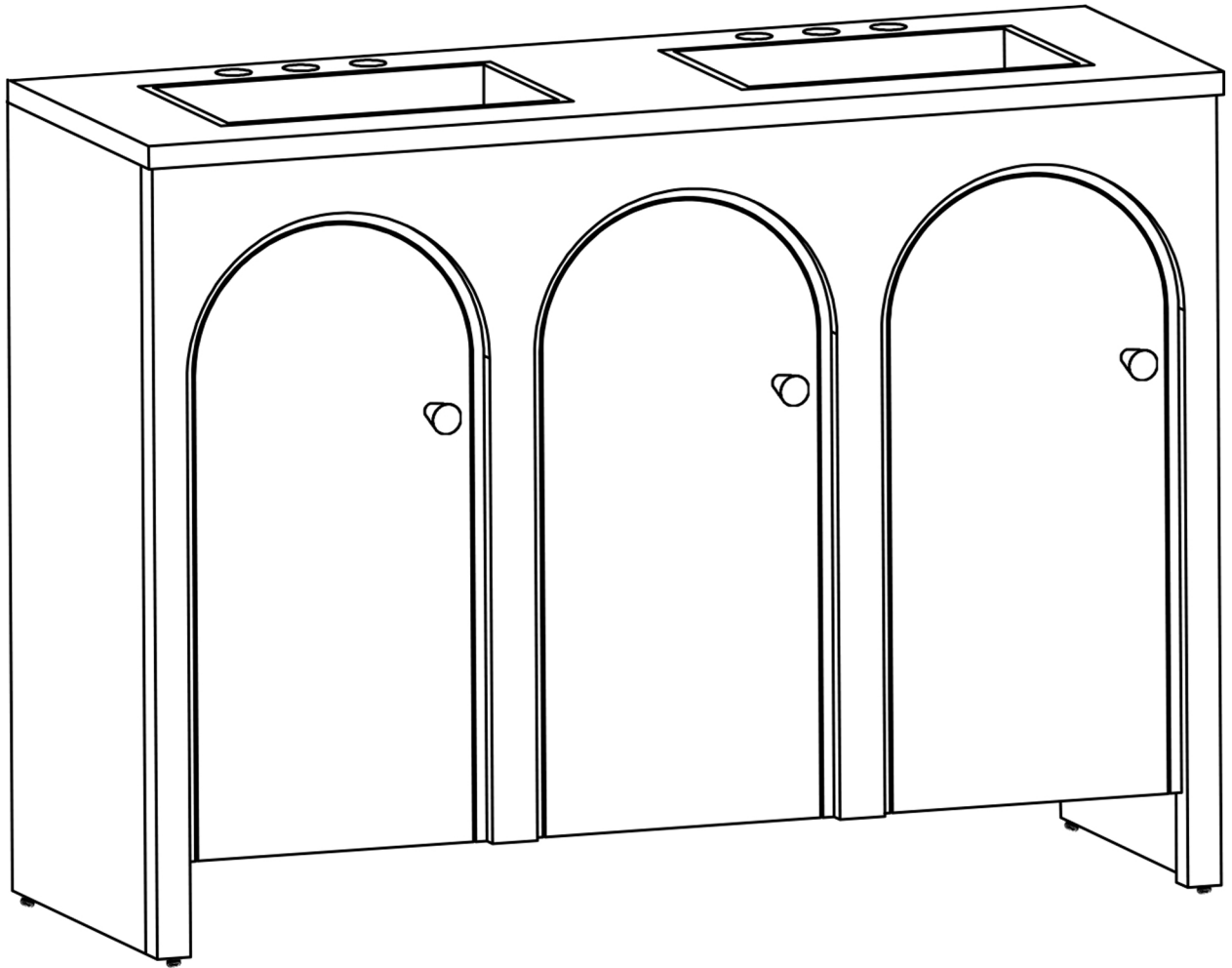


# ASSEMBLY INSTRUCTIONS

# EEI-6541

V0.05.23.22



**Questions? Contact us!**

609.256.9000 • [cs@modway.com](mailto:cs@modway.com)  
[www.modway.com](http://www.modway.com)

**\*modway**



Read through all of the instructions before starting



Care instructions are listed in the last step of this manual



Approx. 60 minutes assembly time



Make sure you have all parts and components before discarding any packing materials



2 people recommended for assembly

**Only use hand tools to assemble this item.** Do not use power tools. Do not tighten bolts or screws completely until all hardware is lined up and inserted into the holes.

Do not over-tighten screws and bolts to avoid stripping the hardware or cracking the item.

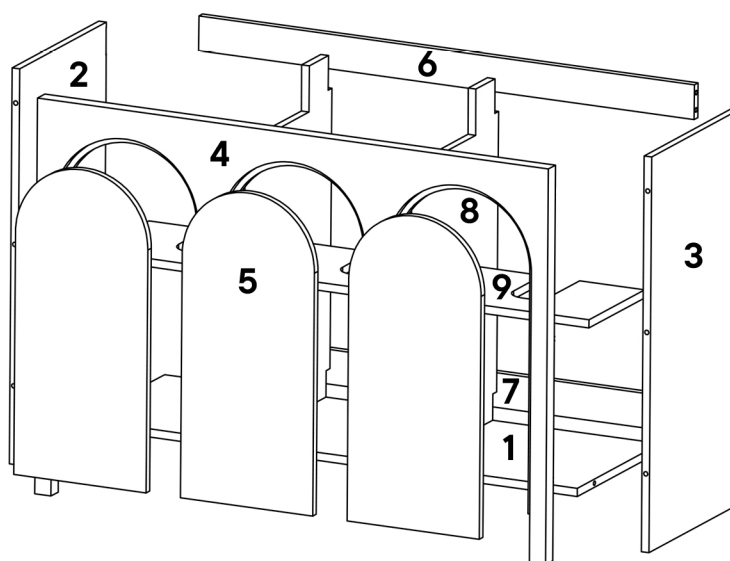
For vanity and plumbing installation, we suggest hiring a professional contractor and plumber.

Assemble your item on a flat, carpeted area, with plenty of space to work. This will prevent damage and scratches to your floors or the item while you're assembling the product.

Keep all components and packaging out of reach of children or animals to avoid risk of choking or suffocation.

## Furniture components:

1	Bottom Panel	x1
2	Side Panel Left	x1
3	Side Panel Right	x1
4	Front Panel	x1
5	Door Panel	x3
6	Back Support Upper	x1
7	Back Support Lower	x1
8	Middle Support	x2
9	Adjustable Shelf	x3



## Provided hardware:

A		Wood Dowel Ø8 x 40 mm	x8
B		Cam Bolt Ø6 x 40 mm	x32
C		Cam Lock Ø15 mm	x32
D		Screw M 4.5 x 12.5 mm	x36
E		Hinge	x6
F		Knob	x3
G		Shelfpin M6 x 40mm	x12
H		Screw M4 x 25 mm	x3
I		Adjustable Leveler (Pre-assembled)	x4

## What you need:



Phillips



Phillips Head Screwdriver

Wait!

Missing parts or hardware? Need assistance?  
Contact us before returning your item. We're here to help!  
609.256.9000 • cs@modway.com

## You may also need:

- + Power Drill
- + Level
- + Silicone Adhesive or Caulk
- + Drywall Anchors and Screws
- + Other Wall-Mounting Hardware

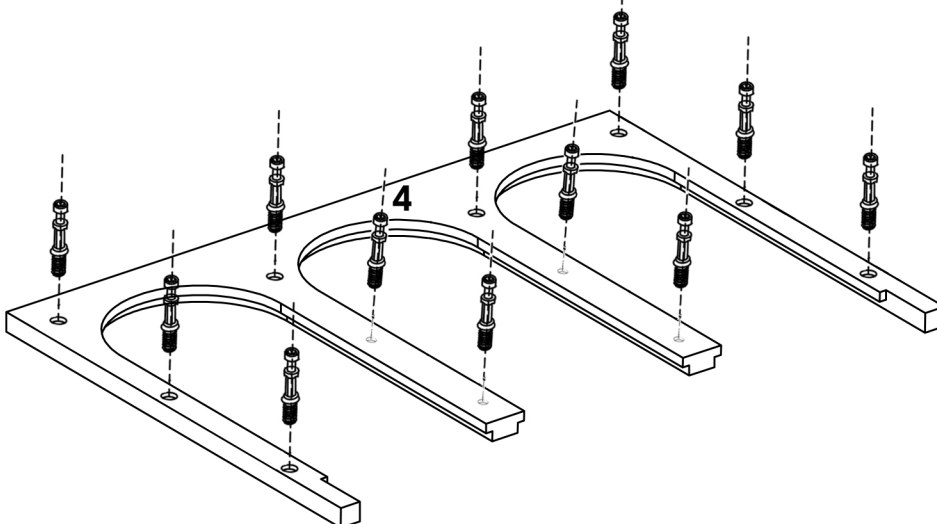
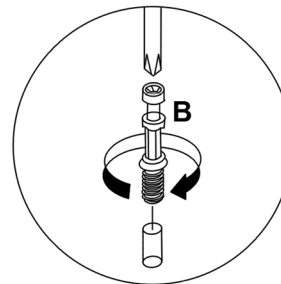
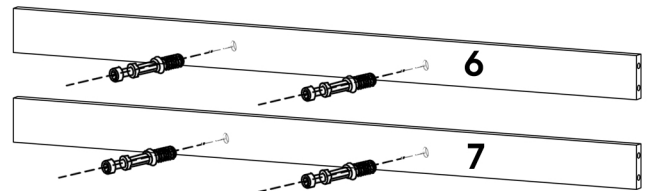
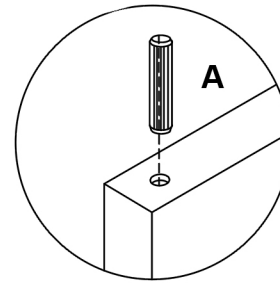
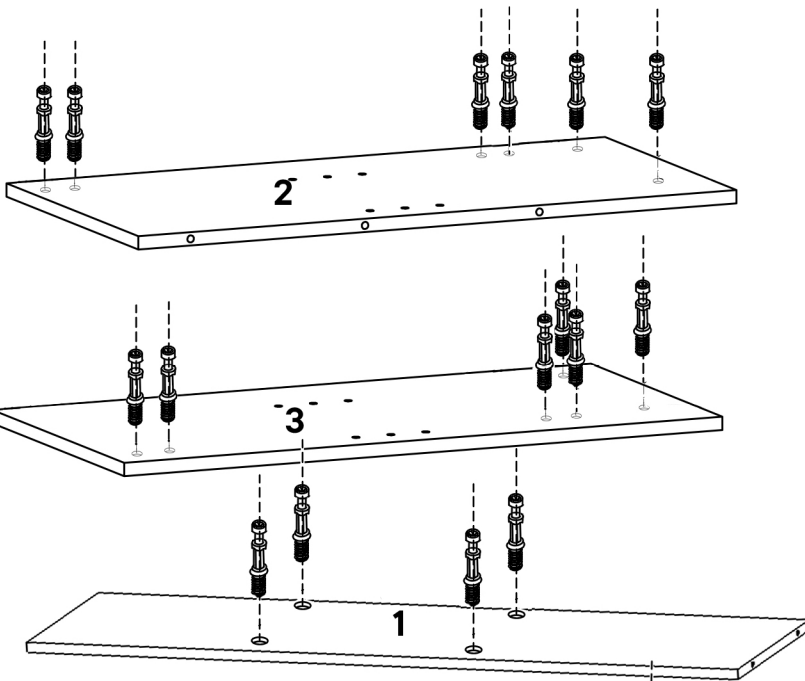
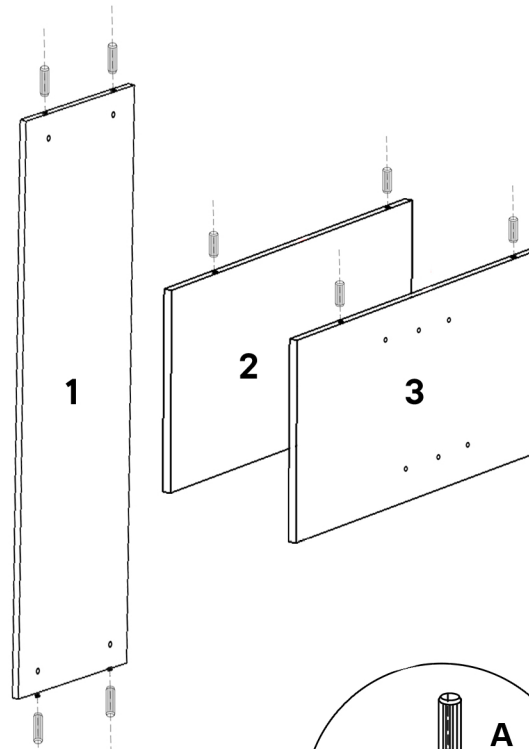
# Step 1

## HARDWARE

- A** Wood Dowel  $\varnothing 8 \times 40$  mm x8
- B** Cam Bolt  $\varnothing 6 \times 40$  mm x32

## COMPONENTS

- 1** Bottom Panel x1
- 2** Side Panel Left x1
- 3** Side Panel Right x1
- 4** Front Panel x1
- 6** Back Support Upper x1
- 7** Back Support Lower x1



# Step 2

## HARDWARE

**C** Cam Lock  $\varnothing$ 15 mm x6

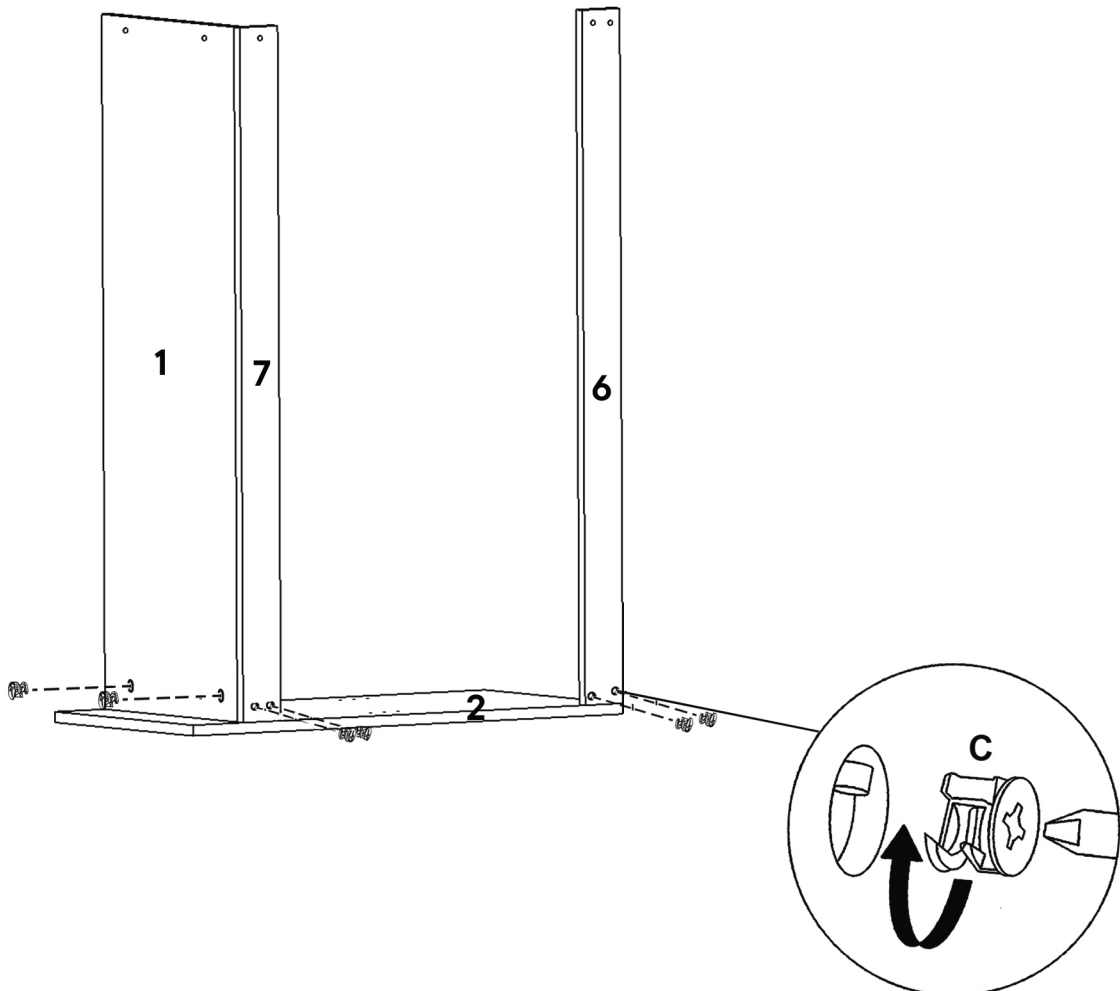
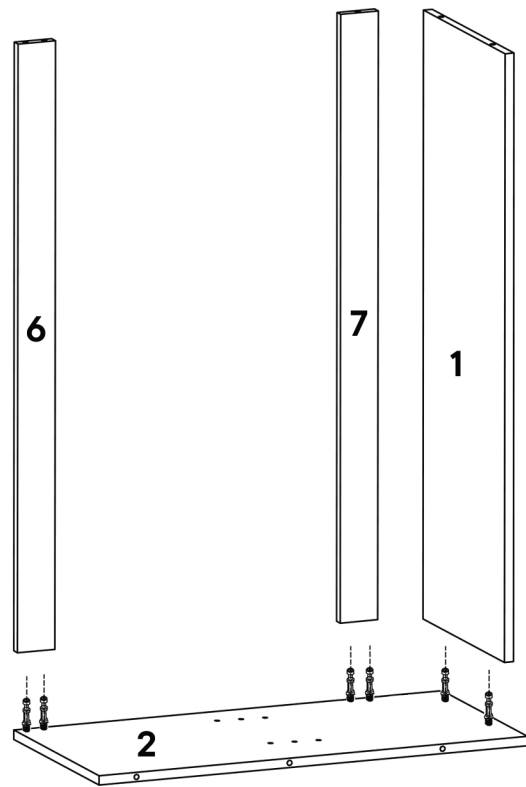
## COMPONENTS

**1** Bottom Panel x1

**2** Side Panel Left x1

**6** Back Support Upper x1

**7** Back Support Lower x1





# Step 3

## HARDWARE

**C** Cam Lock Ø15mm x14

## COMPONENTS

**1** Bottom Panel x1

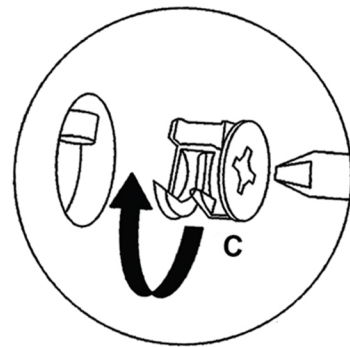
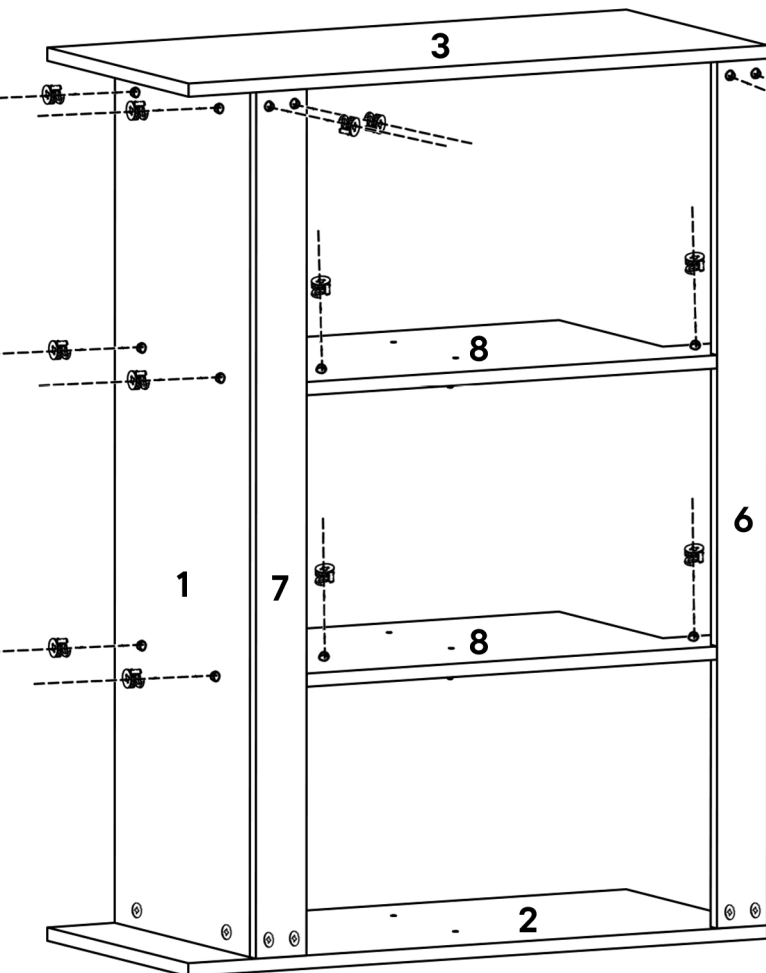
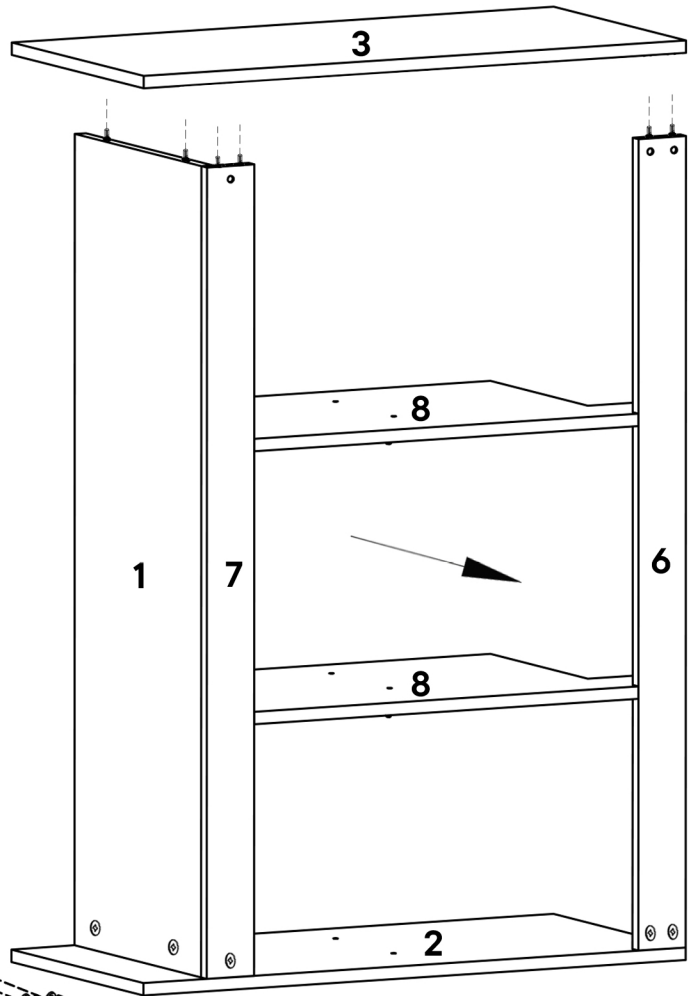
**2** Side Panel Left x1

**3** Side Panel Right x1

**6** Back Support Upper x1

**7** Back Support Lower x1

**8** Middle Support x2



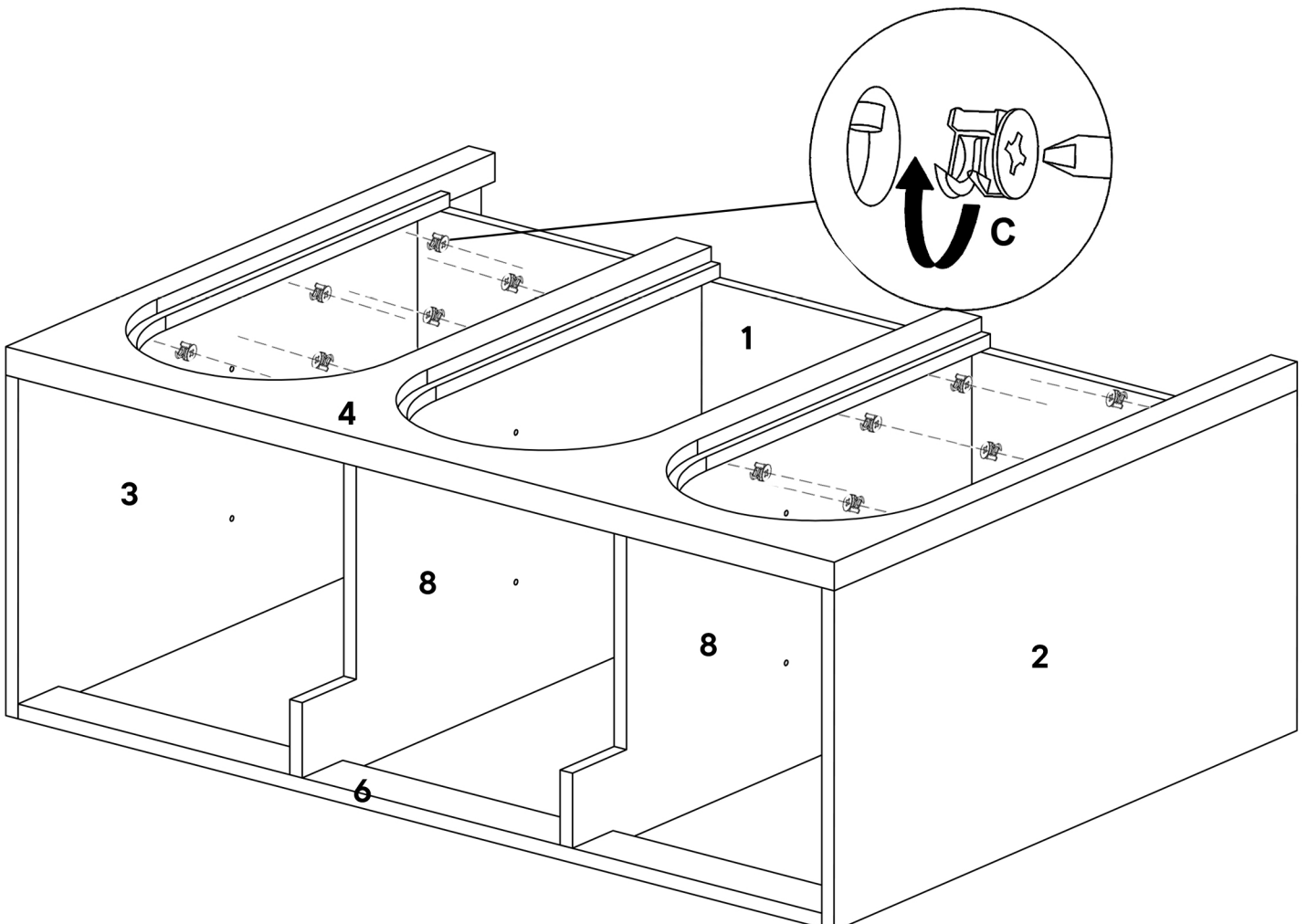
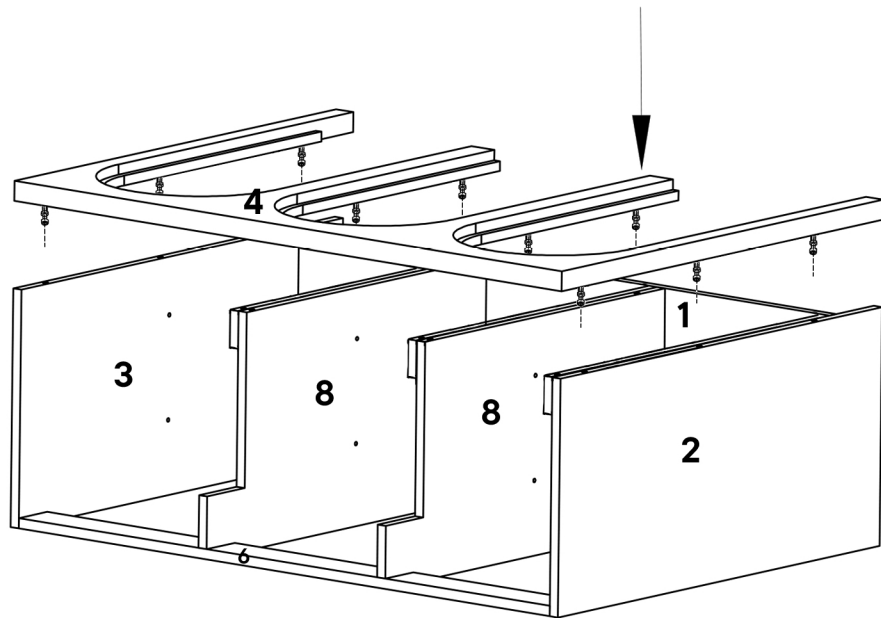
# Step 4

## HARDWARE

**C** Cam Lock  $\varnothing$ 15 mm x12

## COMPONENTS

- 1** Bottom Panel x1
- 2** Side Panel Left x1
- 3** Side Panel Right x1
- 4** Front Panel x1
- 6** Back Support Upper x1
- 7** Back Support Lower x1
- 8** Middle Support x2



Note :- Full Tighten all cam lock here.

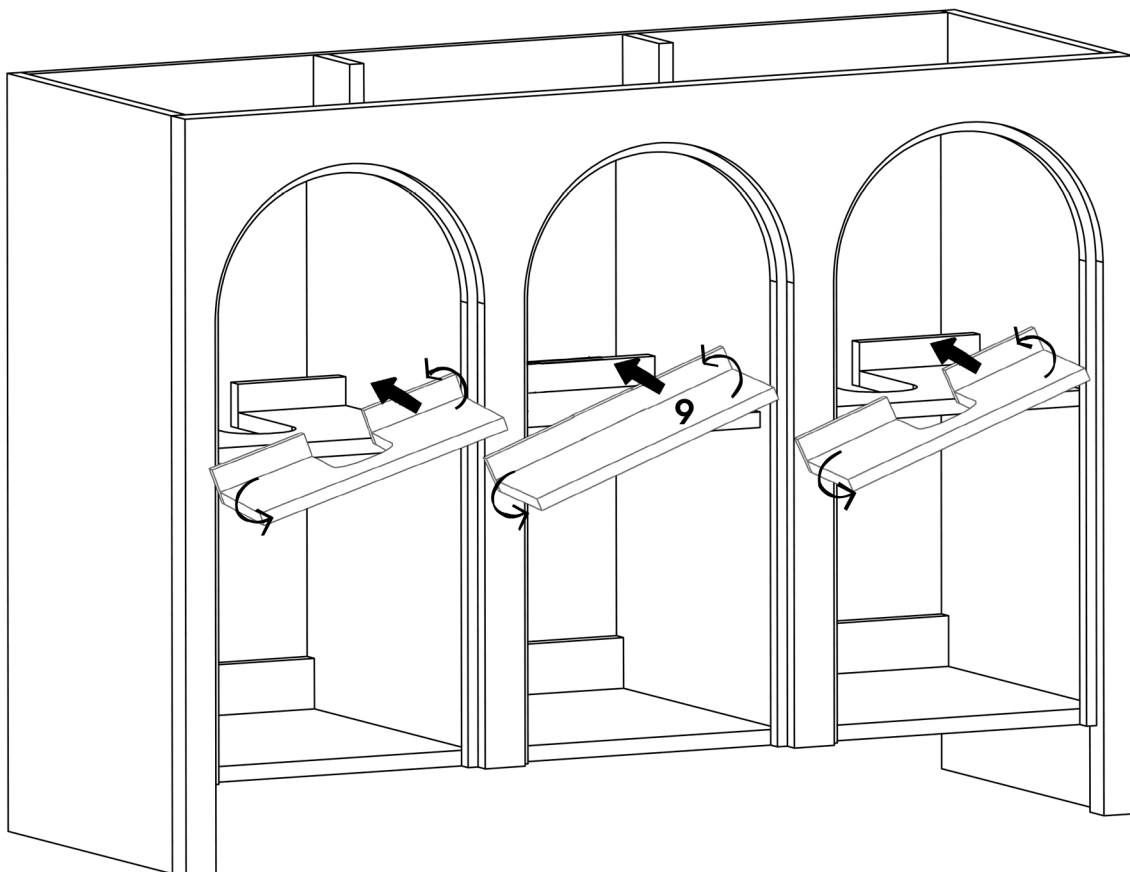
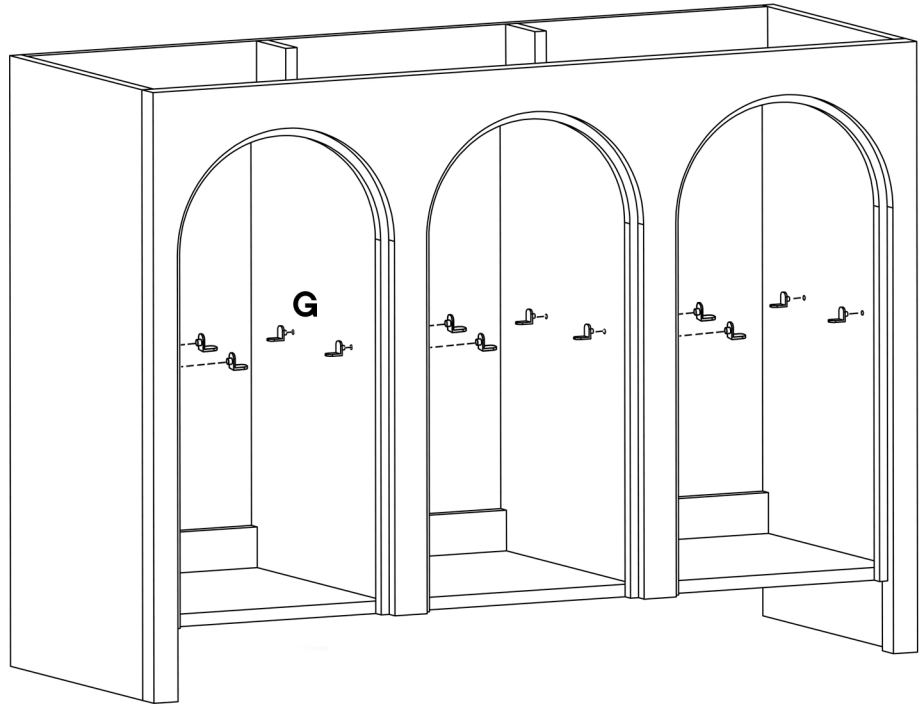
# Step 5

## HARDWARE

**G** Shelfpin M6 x 40mm x12

## COMPONENTS

**9** Adjustable Shelf x3



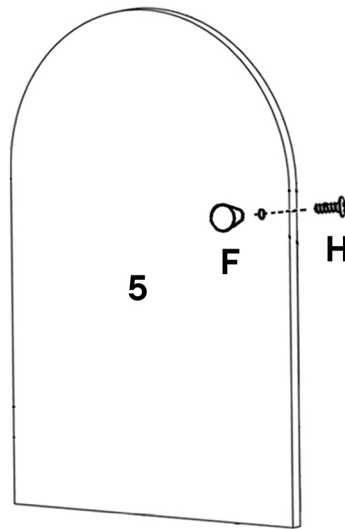
# Step 6

## HARDWARE

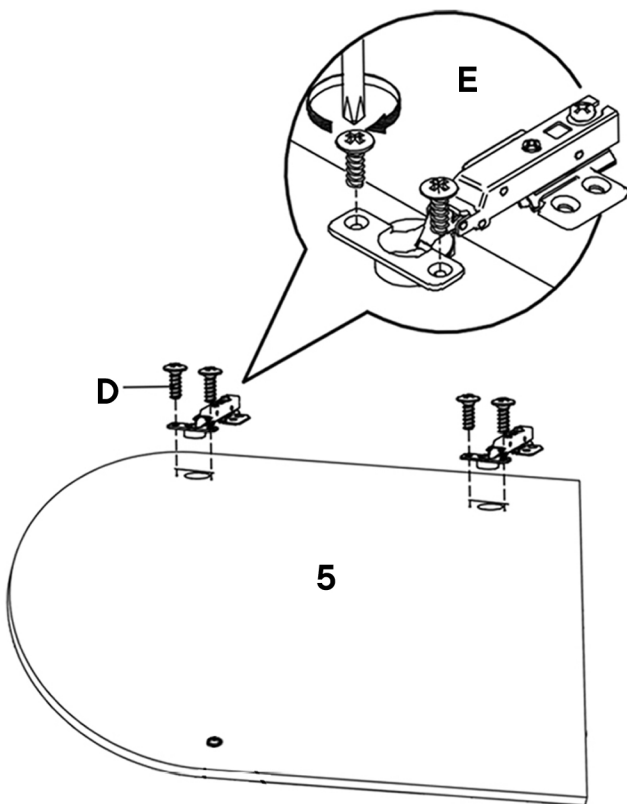
<b>D</b>	Screw M 4.5 x 12.5 mm	x12
<b>E</b>	Hinge	x6
<b>F</b>	Knob	x3
<b>H</b>	Screw M 4 x 25 mm	x3

## COMPONENTS

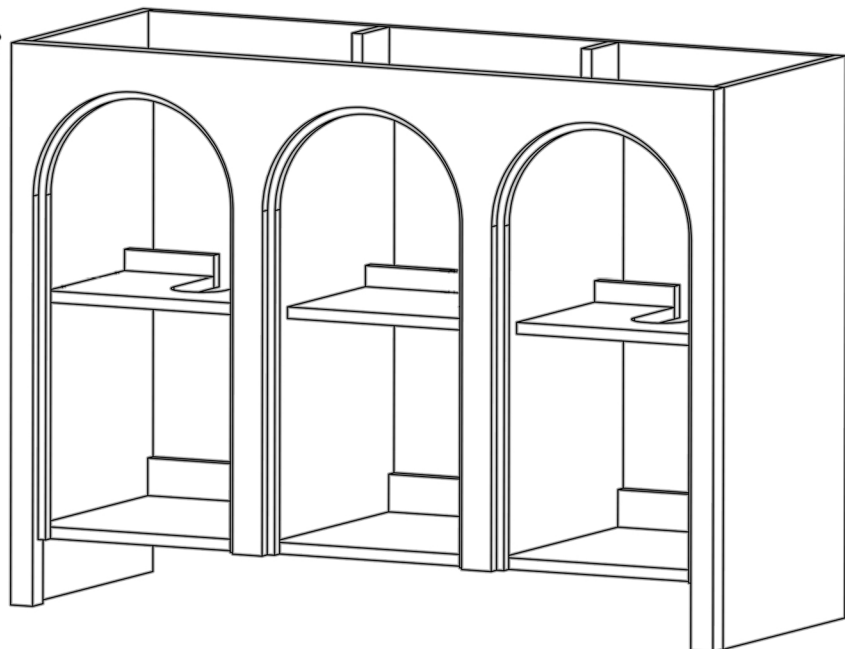
<b>5</b>	Door Panel	x3
----------	------------	----



X3



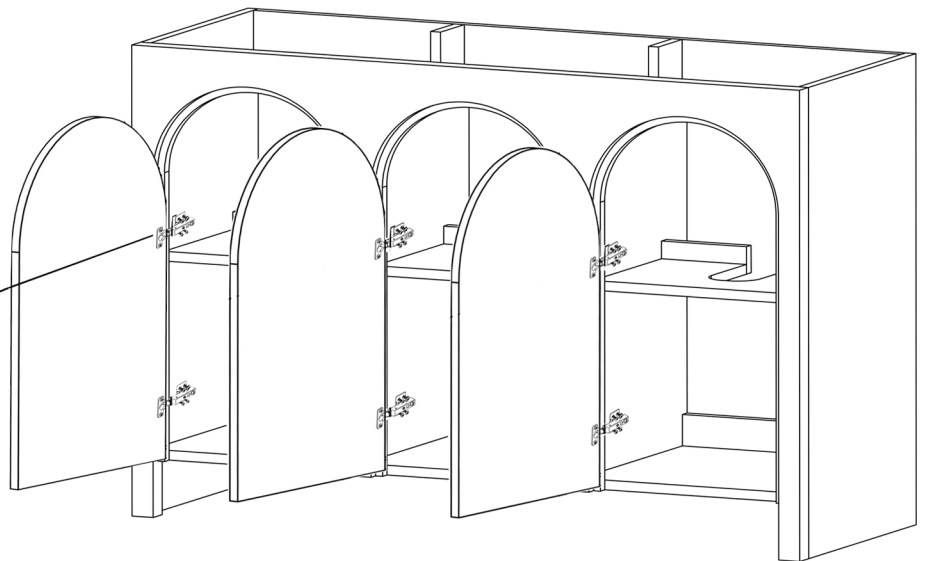
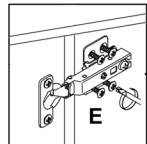
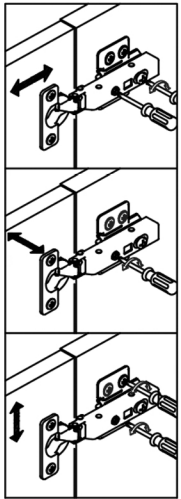
X3



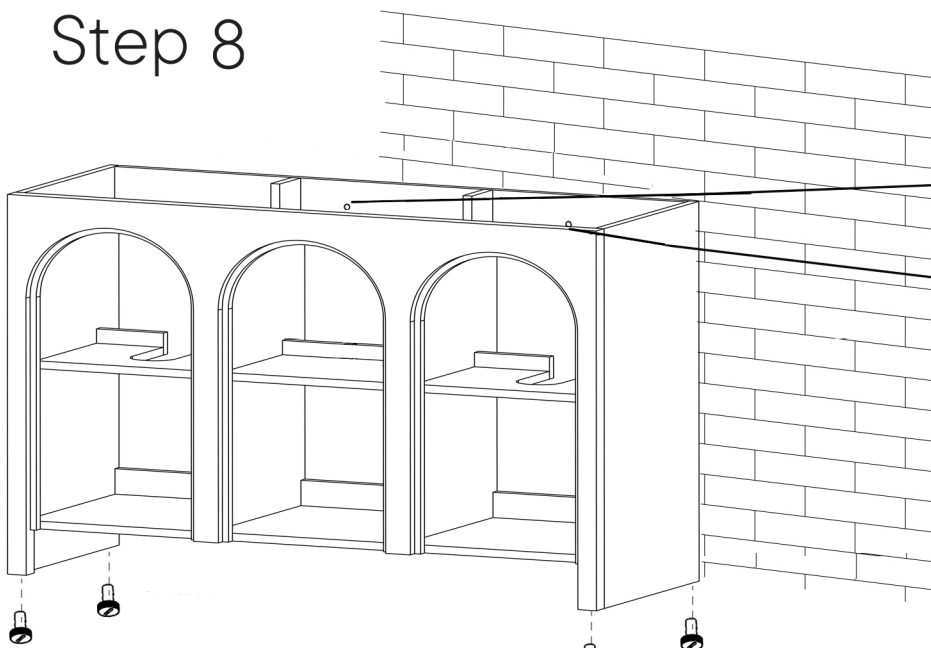
# Step 7

## HARDWARE

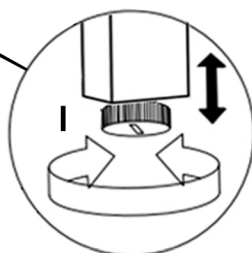
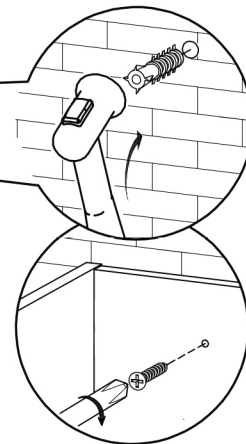
- D** Screw M 4.5 x 12.5 mm x24
- E** Hinge x6



# Step 8



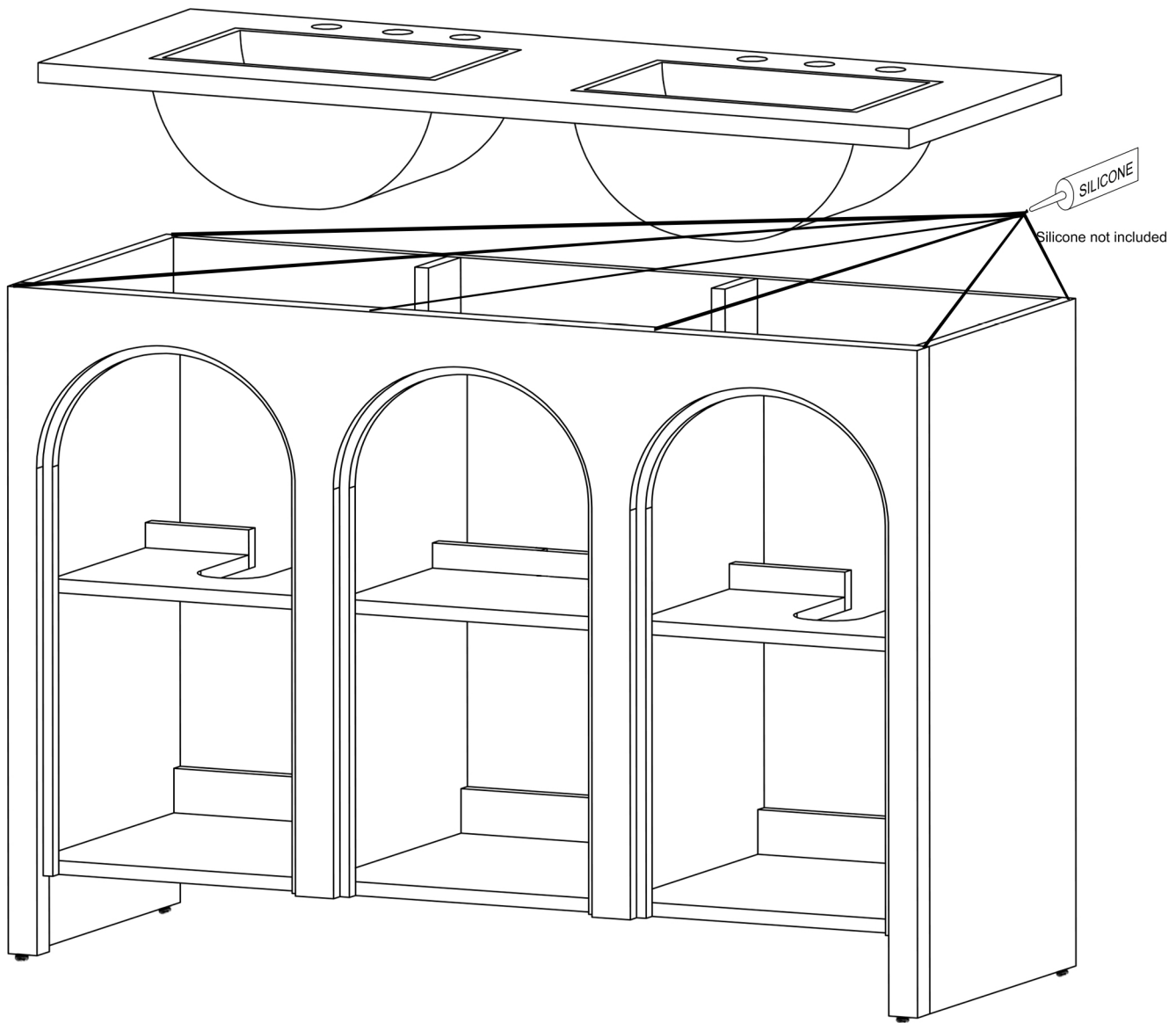
DETAIL HOLE CABLE



**Note: Wall plugs, screws and tools are not included.**  
**MOUNTING THE CABINET ON THE WALL**  
 The cabinet may pose a danger if not properly mounted or secured to the wall.  
 Please ensure the correct hardware is used for particular wall type.  
 It is recommended to engage a professional installer.

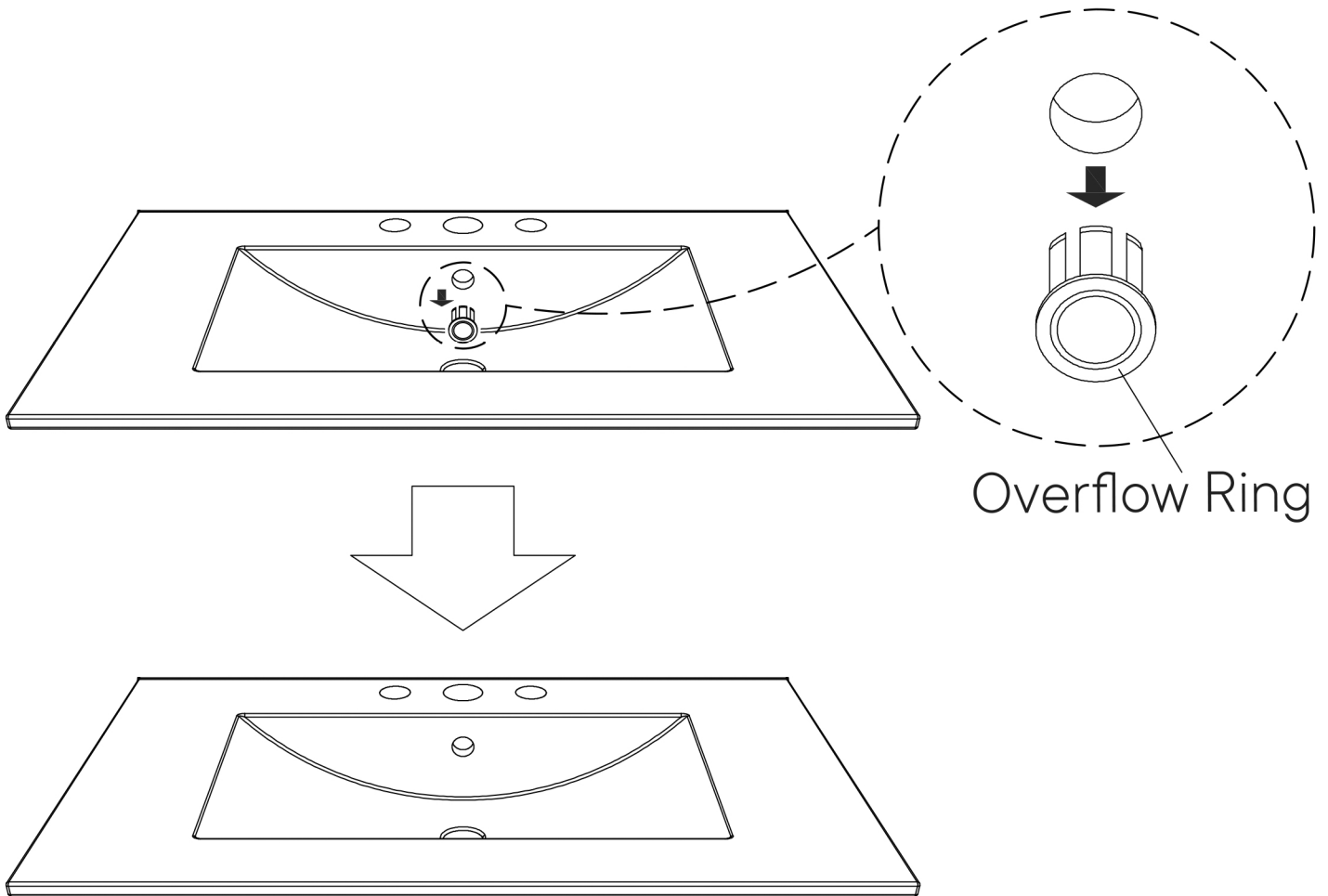
## Step 9

Apply a thin bead of silicone compound around the vanity base and set the vanity top carefully in place. Remove any excess silicone compound with a wet rag



# A quick note...

Your sink basin comes complete with a silver overflow ring.  
If you'd like to remove this overflow ring, you can do so by hand.



**Wait!**

**Missing parts or hardware? Need assistance?**  
Contact us before returning your item. We're here to help!  
609.256.9000 • [cs@modway.com](mailto:cs@modway.com)

# Great job!

Vanity Cabinet assembly is complete.

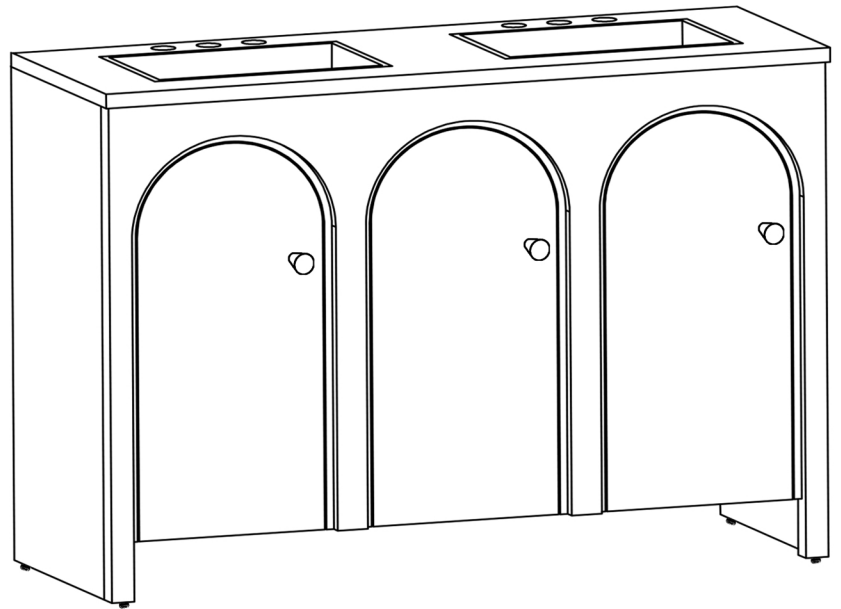
## ♥ CARING FOR YOUR ITEM

Indoor use only.

Not contract grade.

Clean using a non-abrasive cloth and a mild cleaner.

Never use harsh chemicals, as they could damage the finish or integrity of the item.



CONNECT WITH US!   

Tag us @modway\_furniture and #modway for a chance to be featured.