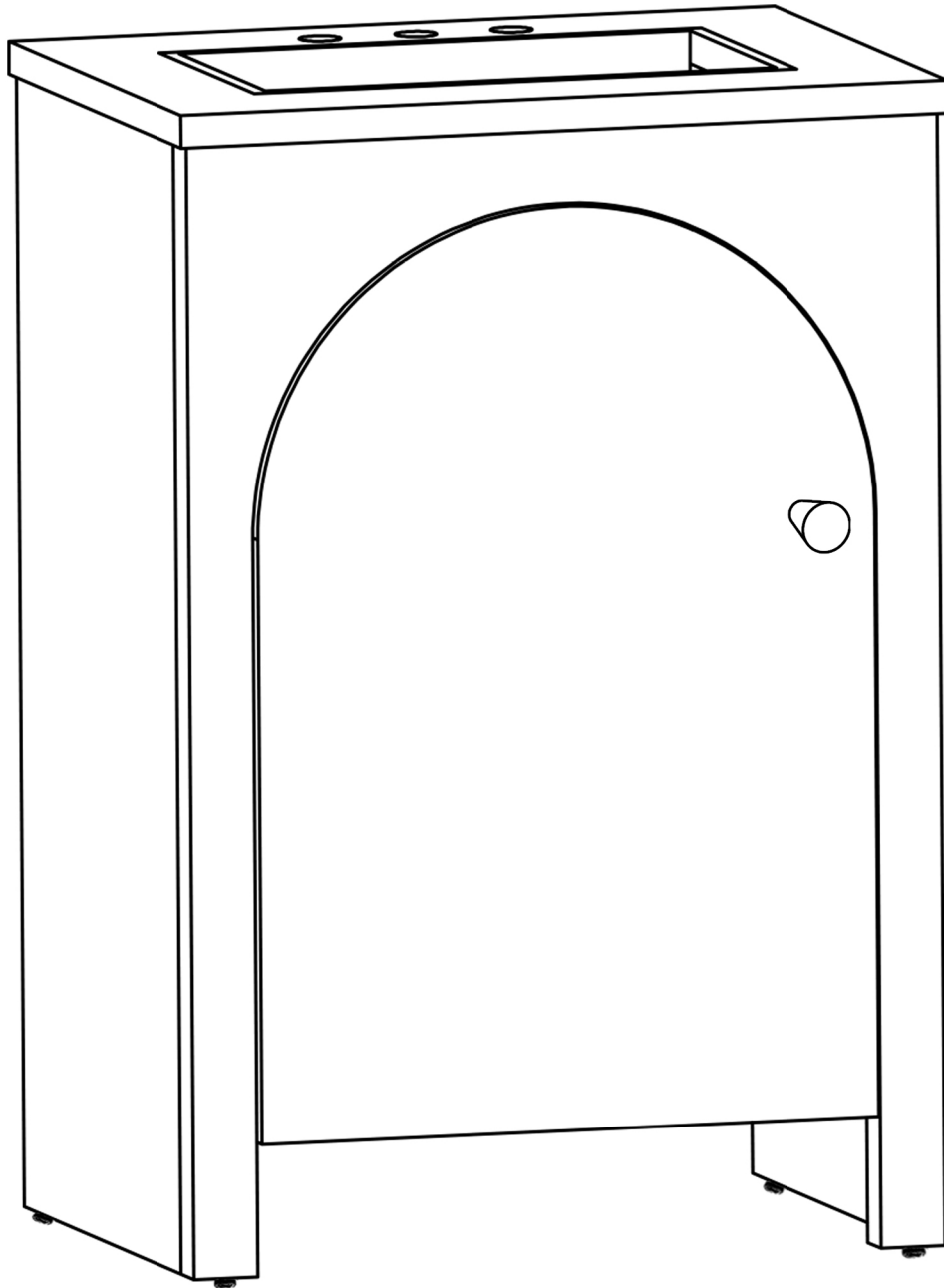


ASSEMBLY INSTRUCTIONS

EEI-6539

V0.05.23.22



Questions? Contact us!

609.256.9000 • cs@modway.com
www.modway.com

***modway**



Read through all of the instructions before starting



Care instructions are listed in the last step of this manual



Approx. 60 minutes assembly time



Make sure you have all parts and components before discarding any packing materials



2 people recommended for assembly

Only use hand tools to assemble this item. Do not use power tools. Do not tighten bolts or screws completely until all hardware is lined up and inserted into the holes.

Do not over-tighten screws and bolts to avoid stripping the hardware or cracking the item.

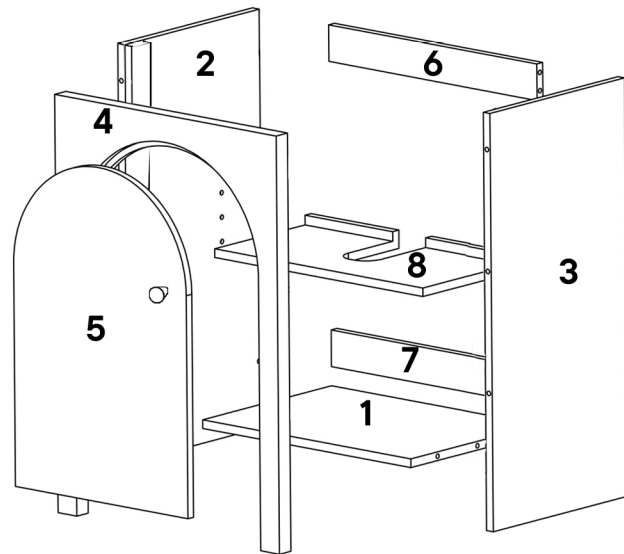
For vanity and plumbing installation, we suggest hiring a professional contractor and plumber.

Assemble your item on a flat, carpeted area, with plenty of space to work. This will prevent damage and scratches to your floors or the item while you're assembling the product.

Keep all components and packaging out of reach of children or animals to avoid risk of choking or suffocation.

Furniture components:

1	Bottom Panel	x1
2	Side Panel Left	x1
3	Side Panel Right	x1
4	Front Panel	x1
5	Door Panel	x1
6	Back Support Upper	x1
7	Back Support Lower	x1
8	Adjustable Shelf	x1



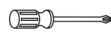
Provided hardware:

A		Wood Dowel Ø8 x 40 mm	x8
B		Cam Bolt Ø6 x 40 mm	x18
C		Cam Lock Ø15 mm	x18
D		Screw M 4.5 x 12.5 mm	x12
E		Hinge	x2
F		Knob	x1
G		Shelfpin	x4
H		Screw M 4.5 x 25.4 mm	x1
I		Adjustable Leveler	x4

What you need:



Phillips



Phillips Head Screwdriver

Wait!

Missing parts or hardware? Need assistance?
Contact us before returning your item. We're here to help!
609.256.9000 • cs@modway.com

You may also need:

- + Power Drill
- + Level
- + Silicone Adhesive or Caulk
- + Drywall Anchors and Screws
- + Other Wall-Mounting Hardware

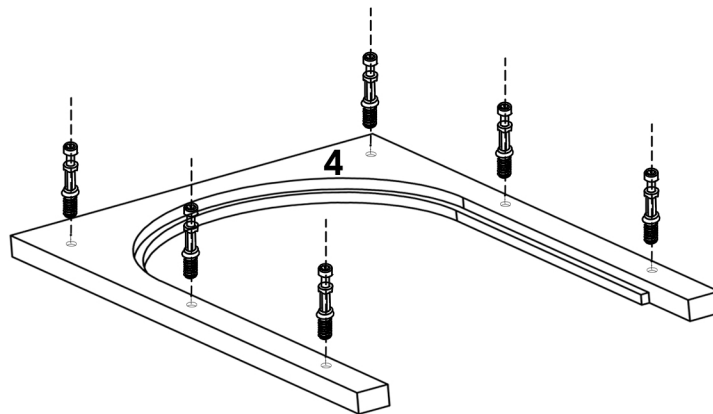
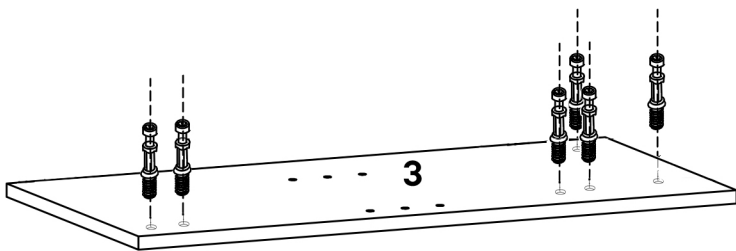
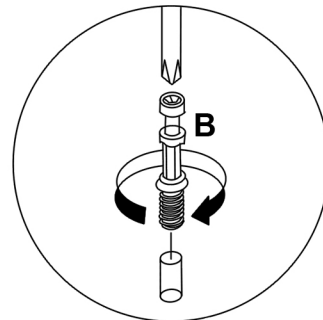
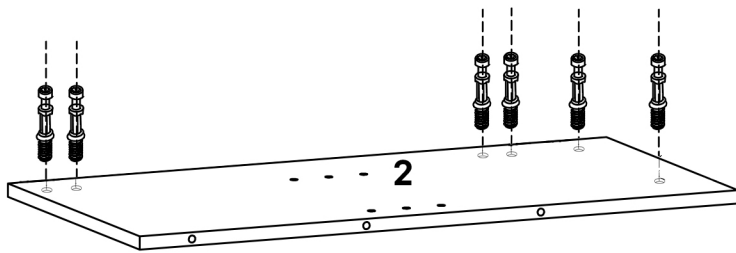
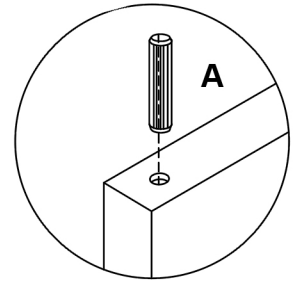
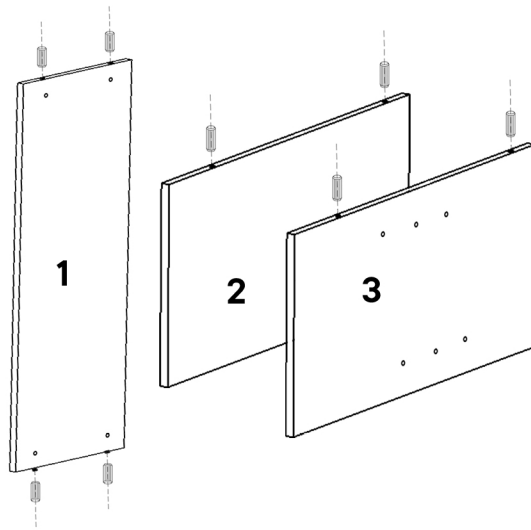
Step 1

HARDWARE

- A** Wood Dowel $\varnothing 8 \times 40$ mm x8
- B** Cam Bolt $\varnothing 6 \times 40$ mm x18

COMPONENTS

- 1** Bottom Panel x1
- 2** Side Panel Left x1
- 3** Side Panel Right x1
- 4** Front Panel x1
- 6** Back Support Upper x1
- 7** Back Support Lower x1



Step 2

HARDWARE

C Cam Lock x6

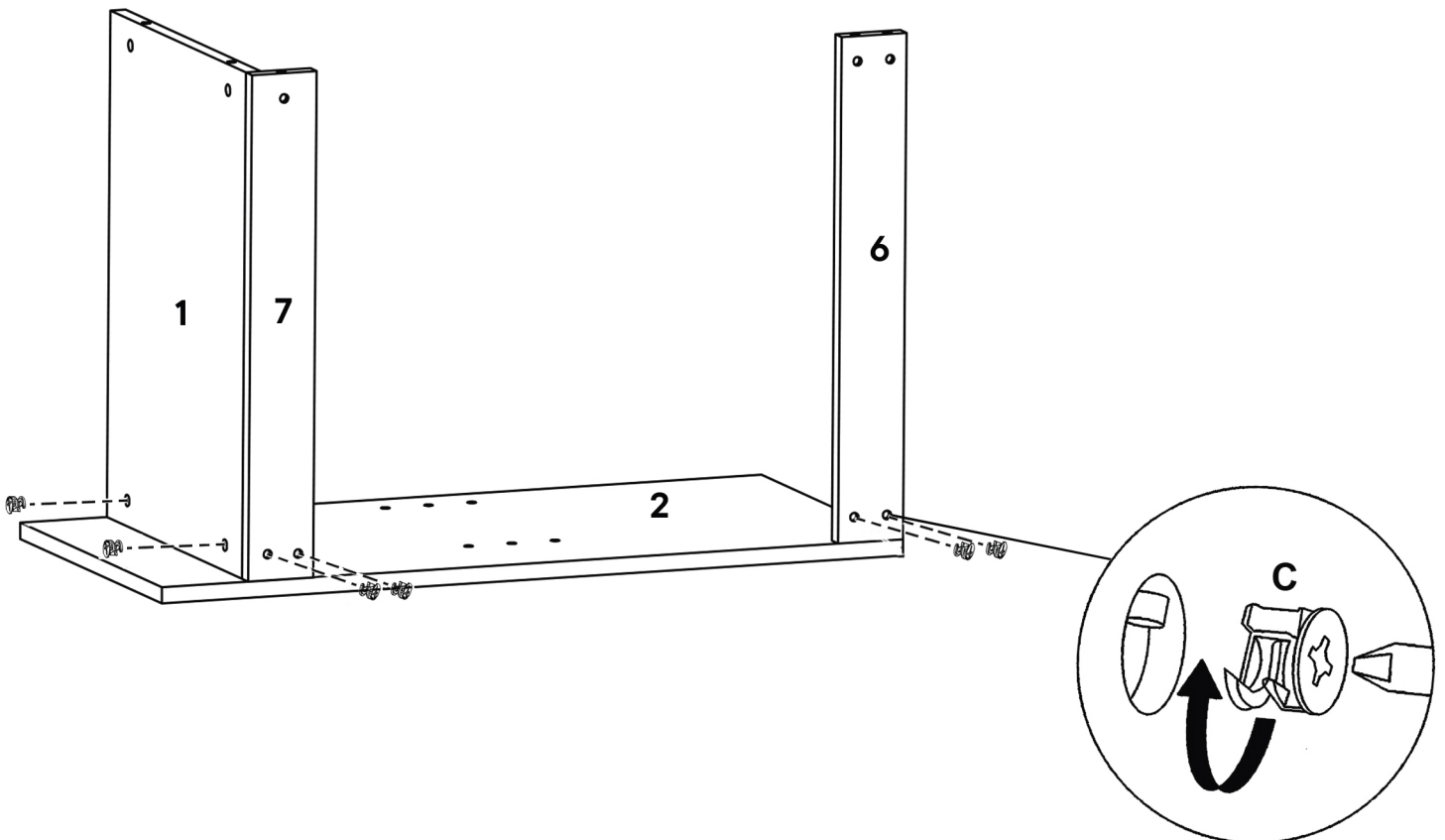
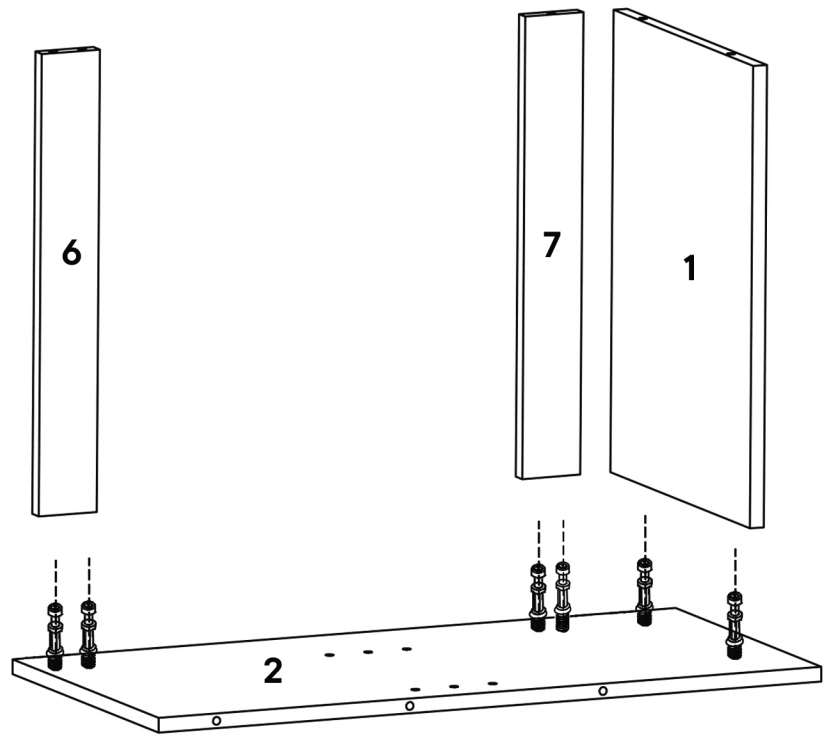
COMPONENTS

1 Bottom Panel x1

2 Side Panel Left x1

6 Back Support Upper x1

7 Back Support Lower x1



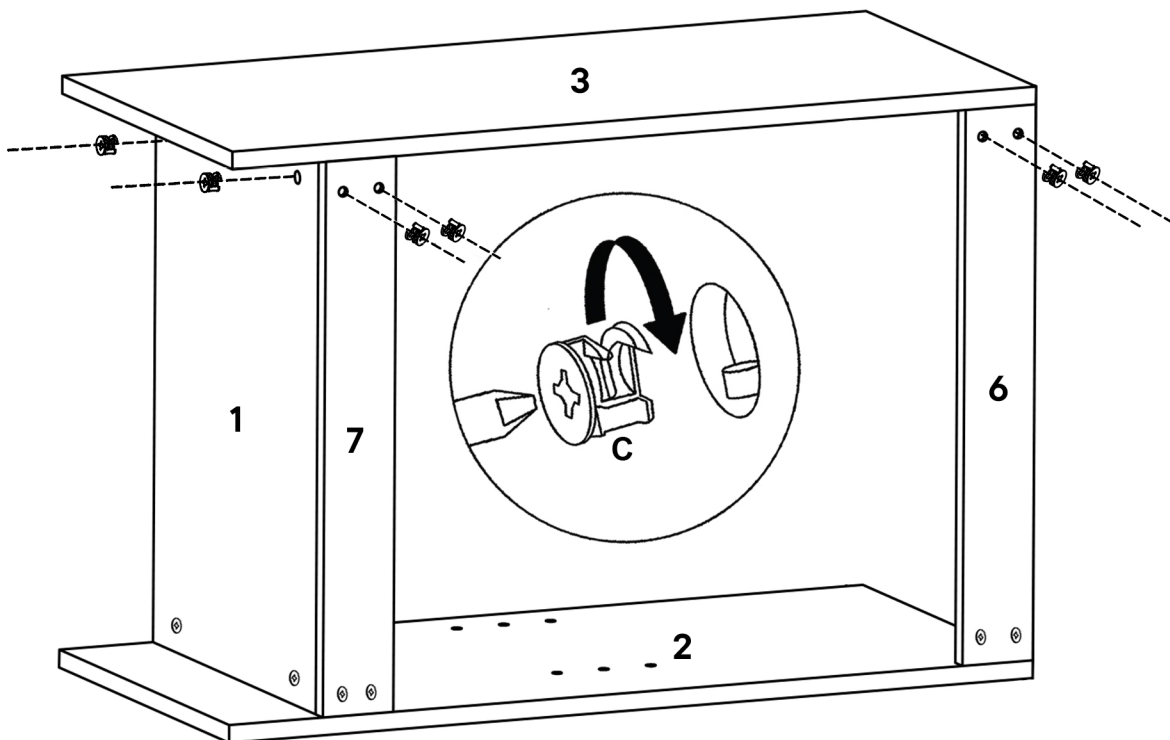
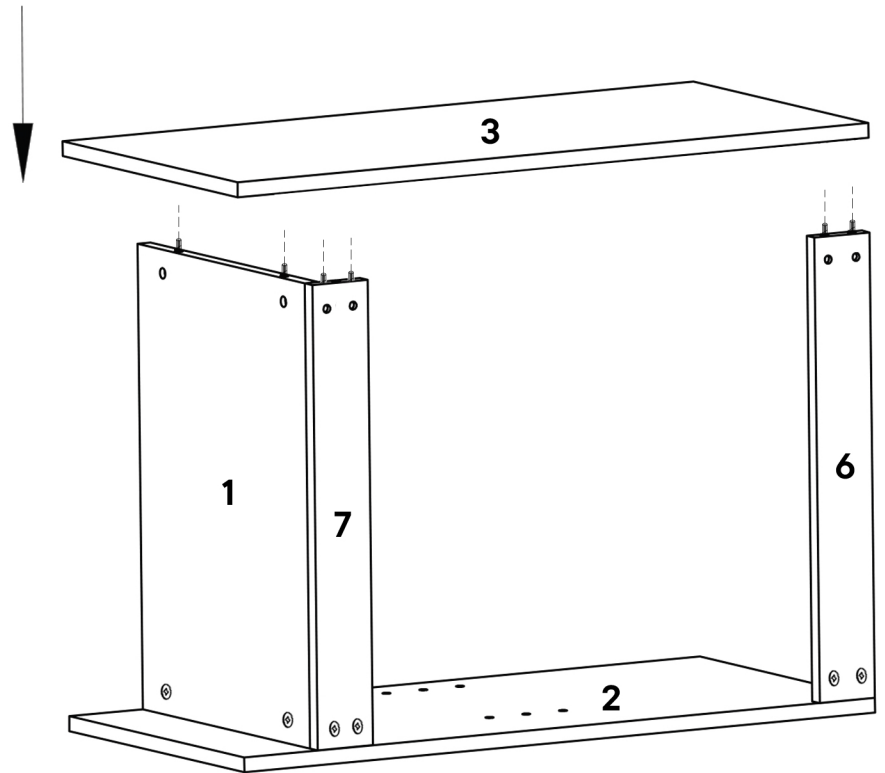
Step 3

HARDWARE

C Cam Lock Ø15mm x6

COMPONENTS

- 1** Bottom Panel x1
- 2** Side Panel Left x1
- 3** Side Panel Right x1
- 6** Back Support Upper x1
- 7** Back Support Lower x1



Step 4

HARDWARE

C Cam Lock x6

COMPONENTS

1 Bottom Panel x1

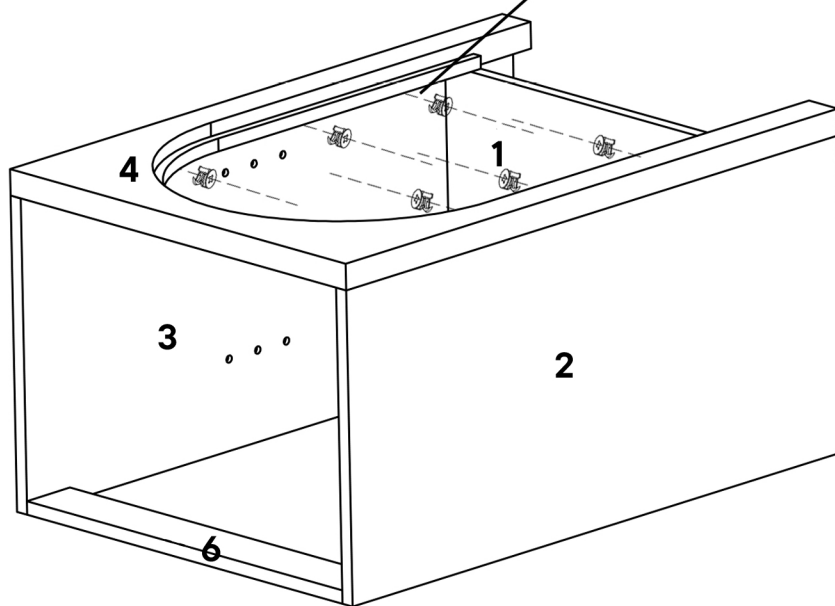
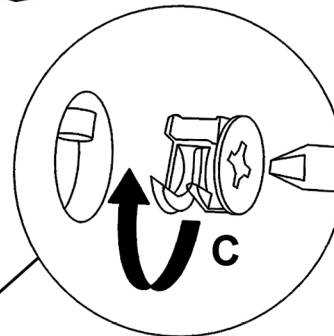
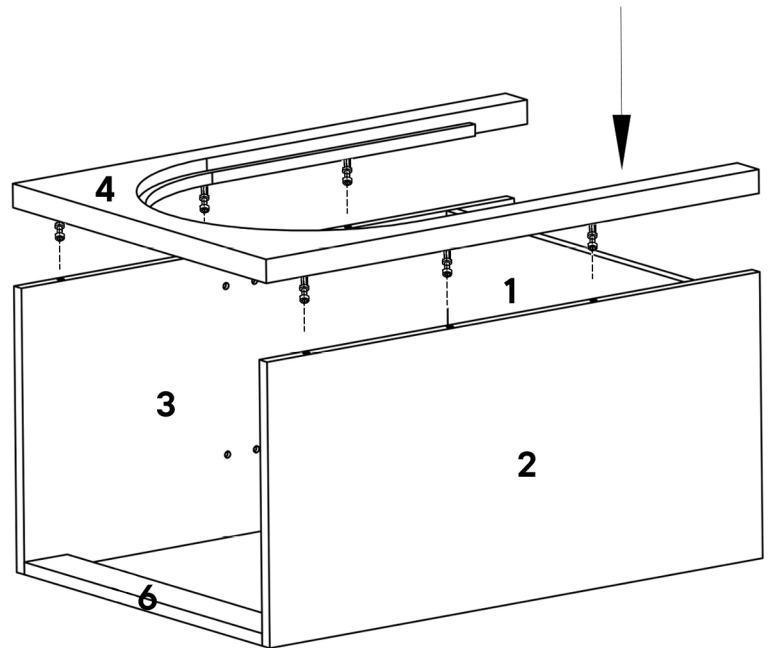
2 Side Panel Left x1

3 Side Panel Right x1

4 Front Panel x1

6 Back Support Upper x1

7 Back Support Lower x1



Note :- Full Tighten all cam lock here.

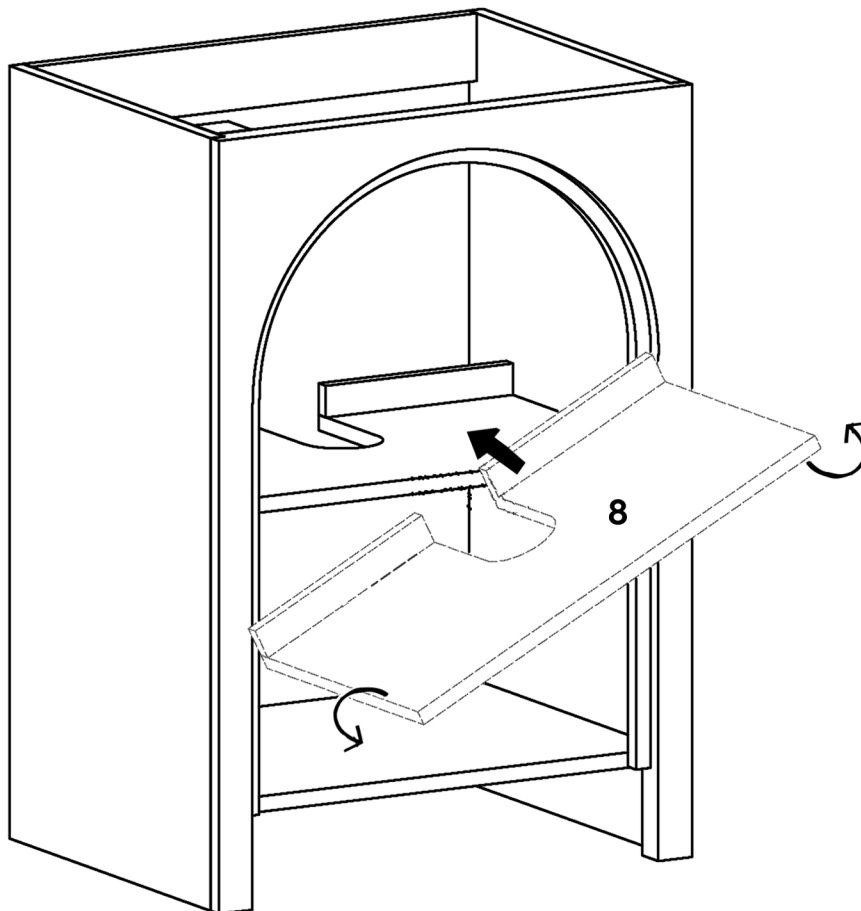
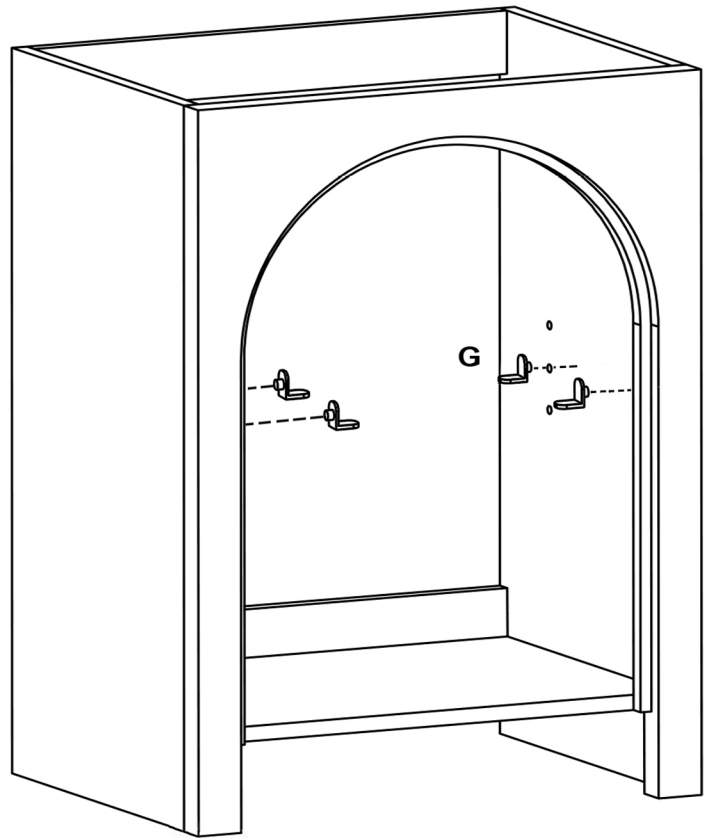
Step 5

HARDWARE

G Shelfpin M6 x 40mm x4

COMPONENTS

8 Adjustable Shelf x1



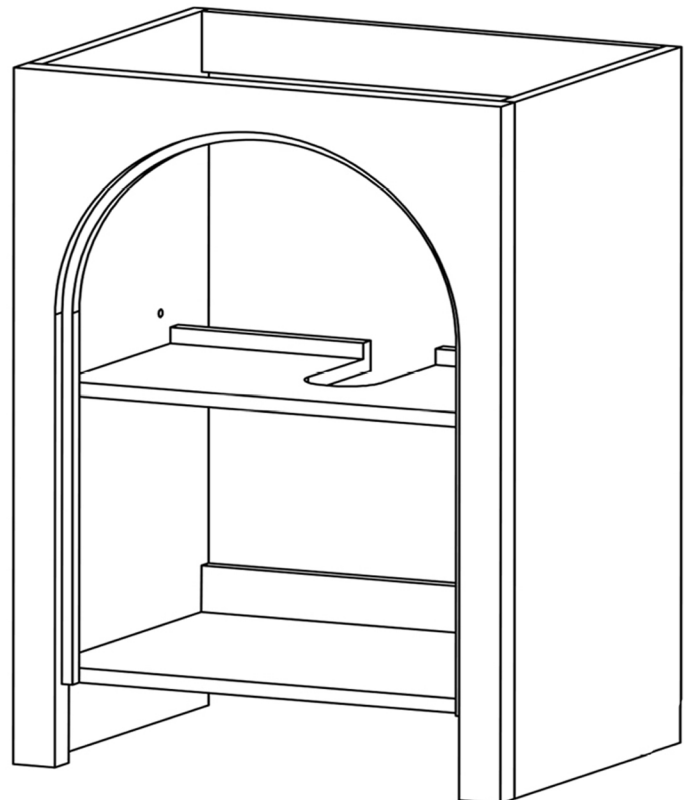
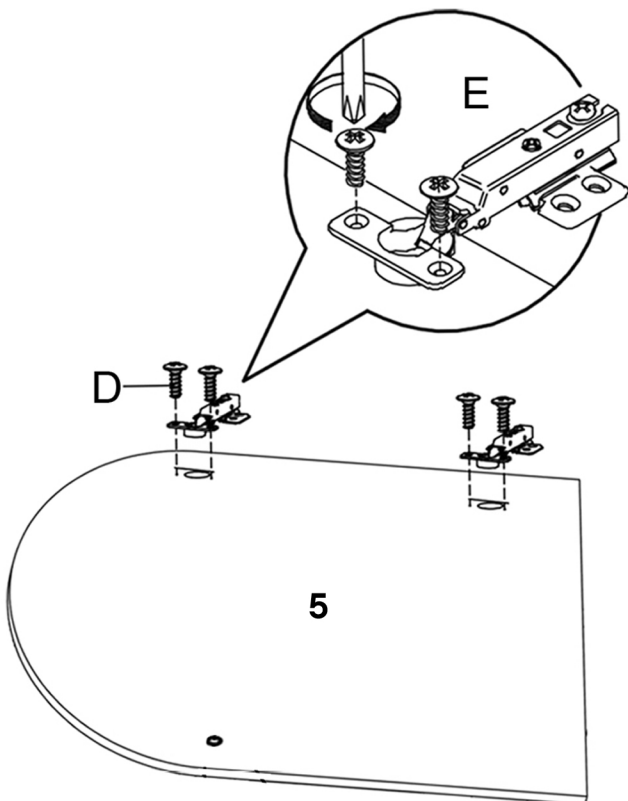
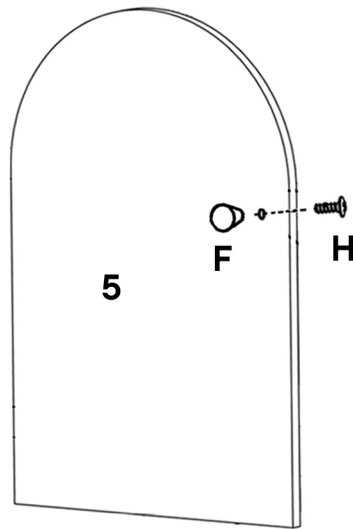
Step 6

HARDWARE

D	Screw M 4.5 x 12.5 mm	x4
E	Hinges	x2
F	Knob	x1
H	Screw M 4 x 25 mm	x1

COMPONENTS

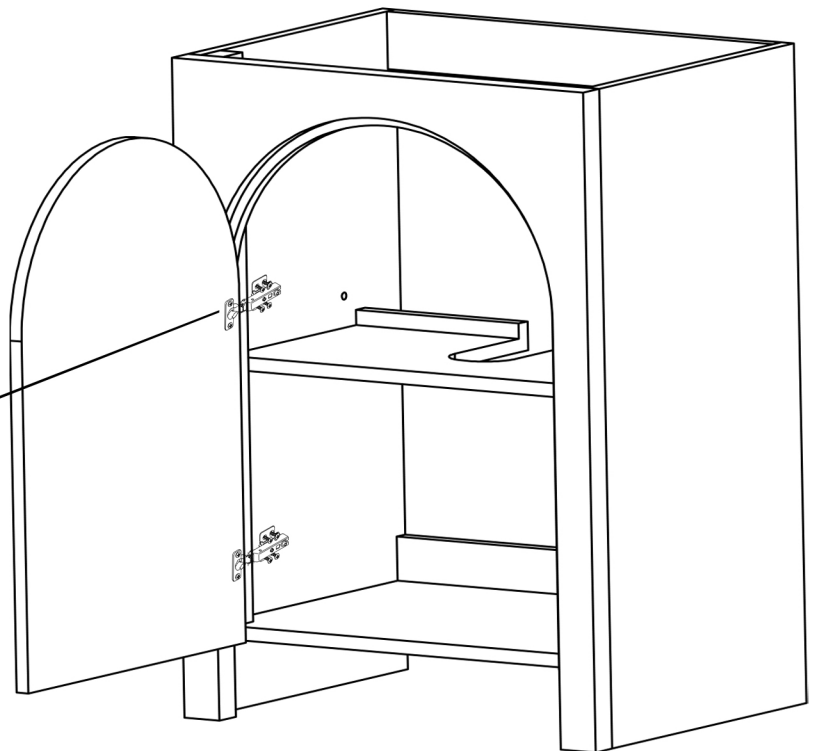
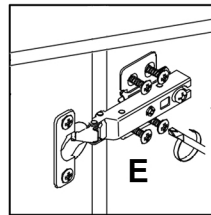
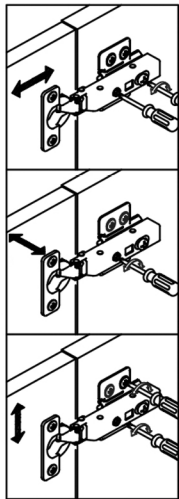
5	Door Panel	x2
----------	------------	----



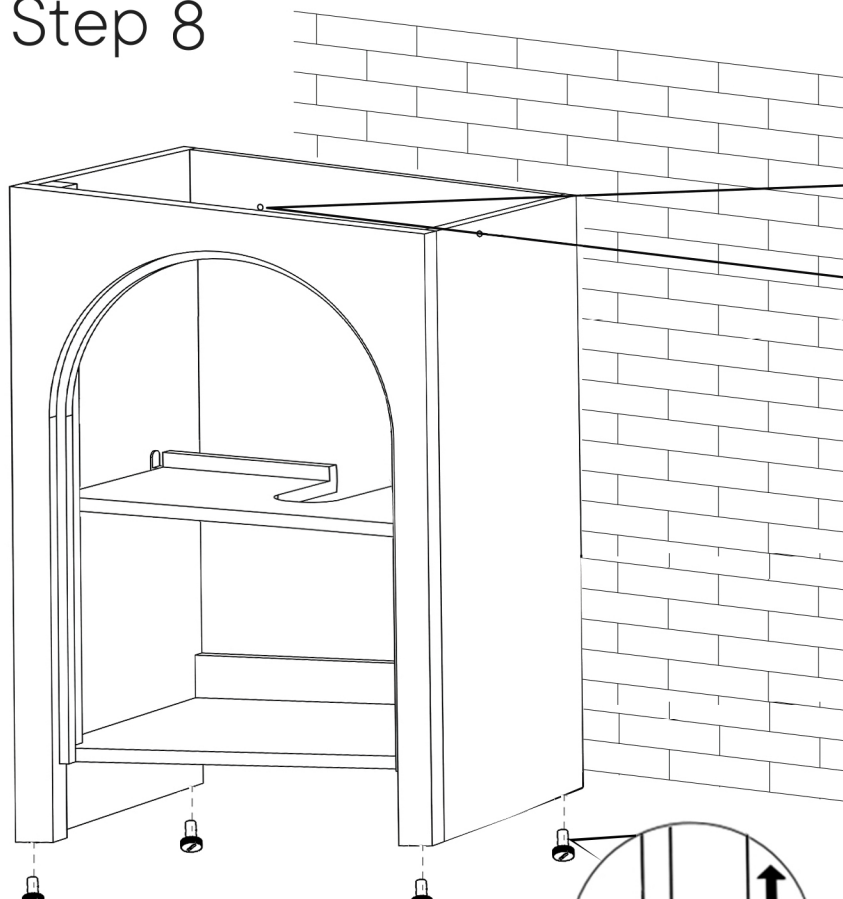
Step 7

HARDWARE

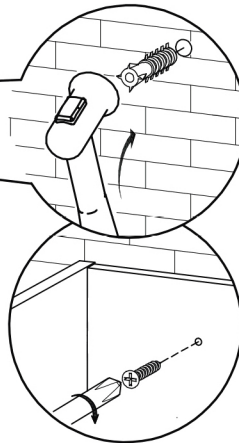
- D** Screw M 4.5 x 12.5 mm x8
- E** Hinges x2



Step 8



DETAIL HOLE CABLE



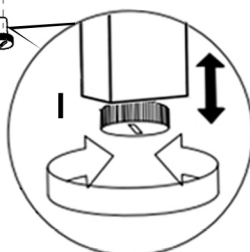
Note: Wall plugs, screws and tools are not included.

MOUNTING THE CABINET ON THE WALL

The cabinet may pose a danger if not properly mounted or secured to the wall.

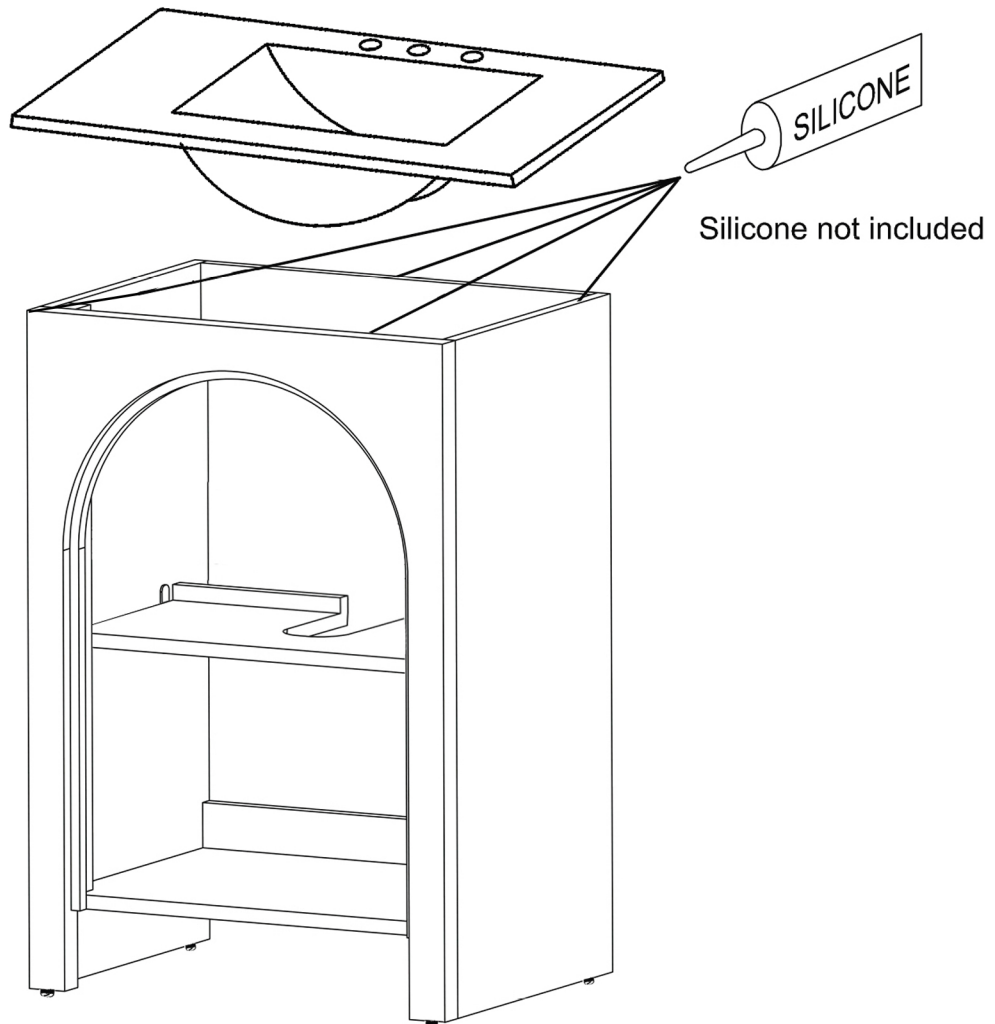
Please ensure the correct hardware is used for particular wall type.

It is recommended to engage a professional installer.



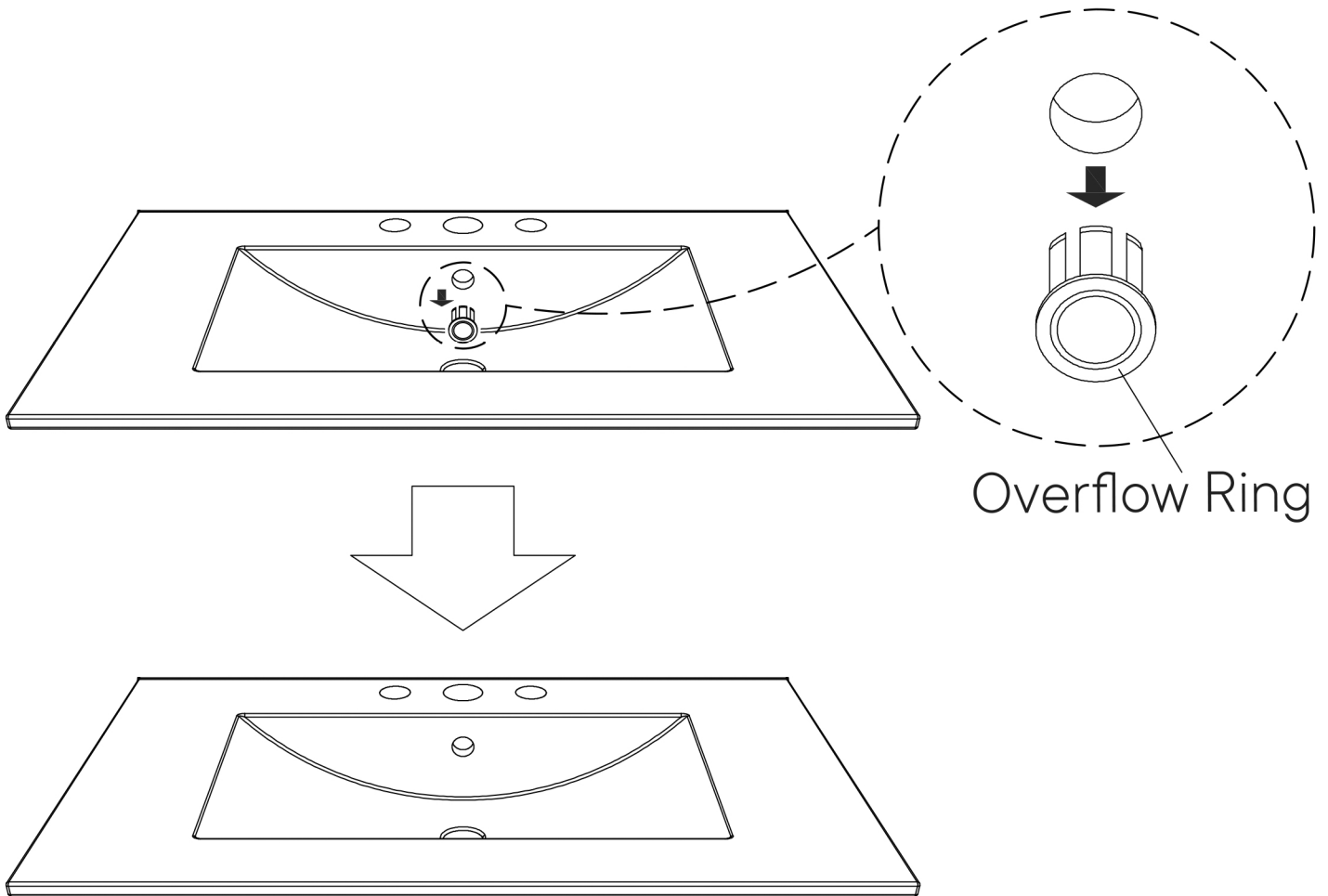
Step 9

Apply a thin bead of silicone compound around the vanity base and set the vanity top carefully in place. Remove any excess silicone compound with a wet rag



A quick note...

Your sink basin comes complete with a silver overflow ring.
If you'd like to remove this overflow ring, you can do so by hand.



Overflow Ring

Wait!

Missing parts or hardware? Need assistance?
Contact us before returning your item. We're here to help!
609.256.9000 • cs@modway.com

Great job!

Vanity Cabinet assembly is complete.

♥ CARING FOR YOUR ITEM

Indoor use only.

Not contract grade.

Clean using a non-abrasive cloth and a mild cleaner.

Never use harsh chemicals, as they could damage the finish or integrity of the item.

CONNECT WITH US!   

Tag us [@modway_furniture](#) and [#modway](#) for a chance to be featured.

