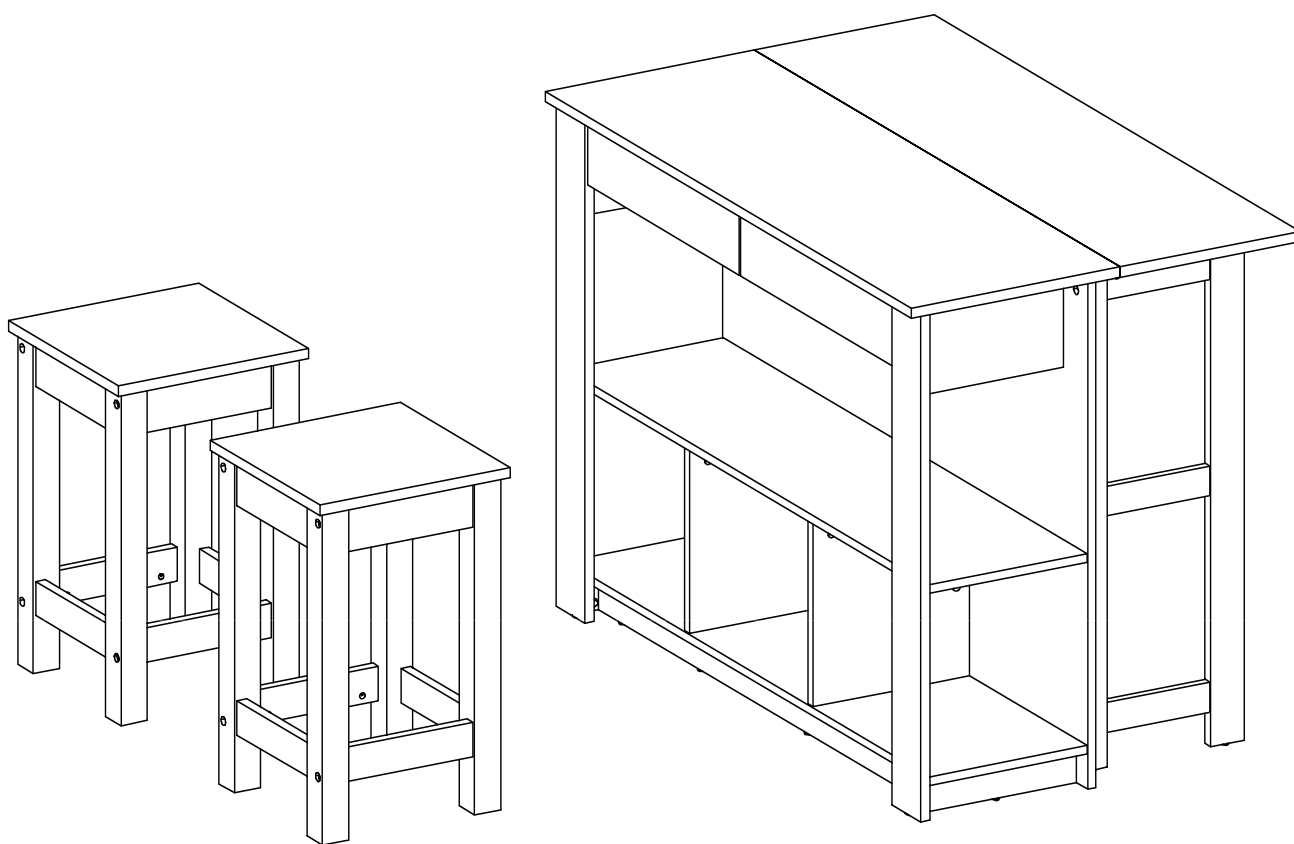


ASSEMBLY INSTRUCTIONS

EEI-6731

V1.10.10.23



Questions? Contact us!

609.256.9000 • cs@modway.com
www.modway.com

***modway**

Let's get started!

*modway



Read through all of the instructions before starting



Care instructions are listed in the last step of this manual

Only use hand tools to assemble this item. Do not use power tools.

Do not tighten bolts or screws completely until all hardware is lined up and inserted into the holes.



Approx. 60 minutes assembly time



Make sure you have all parts and components before discarding any packing materials

Do not over-tighten screws and bolts to avoid stripping the hardware or cracking the item.

Assemble your item on a flat, carpeted area, with plenty of space to work. This will prevent damage and scratches to your floors or the item while you're assembling the product.

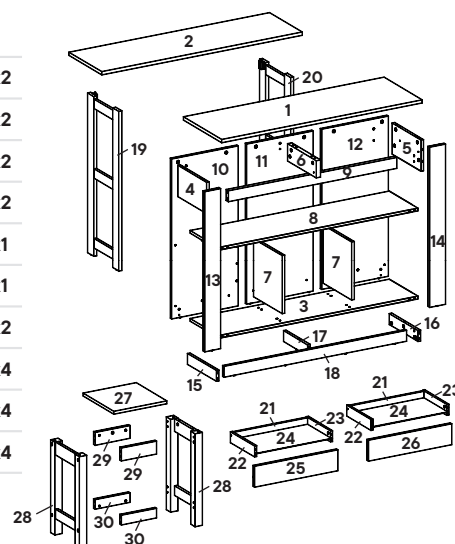


2 people recommended for assembly

Keep all components and packaging out of reach of children or animals to avoid risk of choking or suffocation.

Furniture components:

| | | | | | | | | |
|----|----------------------|----|----|-----------------------|----|----|-------------------------|----|
| 1 | Top Board | x1 | 11 | Middle Rear Board | x1 | 21 | Rear Drawer | x2 |
| 2 | Main Board | x1 | 12 | Right Rear Board | x1 | 22 | Left Drawer | x2 |
| 3 | Bottom Board | x1 | 13 | Left Pillar | x1 | 23 | Right Drawer | x2 |
| 4 | Left Board | x1 | 14 | Right Pillar | x1 | 24 | Bottom Drawer | x2 |
| 5 | Right Board | x1 | 15 | Left Bottom Support | x1 | 25 | Left Front Drawer | x1 |
| 6 | Divider Top Board | x1 | 16 | Right Bottom Support | x1 | 26 | Right Front Drawer | x1 |
| 7 | Divider Bottom Board | x2 | 17 | Middle Bottom Support | x1 | 27 | Stools - Top Board | x2 |
| 8 | Middle Board | x1 | 18 | Large Bottom Support | x1 | 28 | Stools - Side Leg | x4 |
| 9 | Drawer Support | x1 | 19 | Left Leg Main Board | x1 | 29 | Stools - Top Support | x4 |
| 10 | Left Rear Board | x1 | 20 | Right Leg Main Board | x1 | 30 | Stools - Bottom Support | x4 |



Provided hardware:

| | | | | | | | | | | | |
|---|--|------------------------------|-----|---|--|------------------|-----|---|--|-----------------------------|-----|
| A | | Cam Lock Ø15 mm | x68 | J | | Plate | x2 | S | | Cam Shock Ø15 mm | x16 |
| B | | Cam Bolt Ø7.5 x 32 mm | x72 | K | | Screw M4 x 13 mm | x12 | T | | Cam Lock Ø12 mm | x4 |
| C | | Cam Cover Ø17 mm | x51 | L | | Screw M3 x 12 mm | x1 | U | | Cam Cover Ø15 mm | x4 |
| D | | Plastic Dowel M8 x 32 mm x79 | | M | | Metal Support | x1 | V | | Plastic Dowel M6 x 30 mm x8 | |
| E | | Screw M6 x 13 mm | x8 | N | | Door Latch | x2 | W | | Screw M4 x 10 mm | x1 |
| F | | Screw M10 x 33.5 mm | x8 | O | | Barrel Nut | x16 | | | | |
| G | | Screw M6 x 8 mm | x50 | P | | Screw M6 x 80 mm | x16 | | | | |
| H | | Plate Support | x7 | Q | | Allen Key | x1 | | | | |
| I | | Drawer Rail | x2 | R | | Cam Shock Ø17 mm | x21 | | | | |

What you need:

Phillips Head Screwdriver

Wait!

Missing parts or hardware? Need assistance?
Contact us before returning your item. We're here to help!
609.256.9000 • cs@modway.com

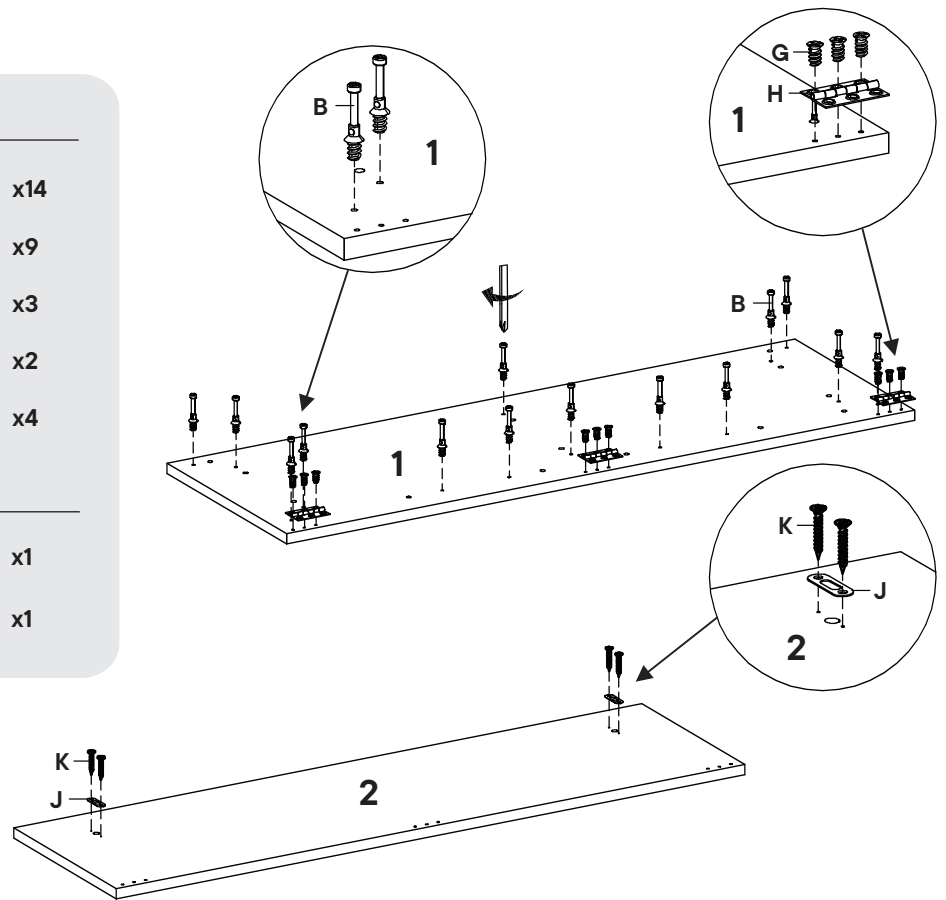
Step 1

HARDWARE

| | | |
|----------|---|-----|
| B | Cam Bolt $\varnothing 7.5 \times 32$ mm | x14 |
| G | Screw M6 x 8 mm | x9 |
| H | Plate Support | x3 |
| J | Plate | x2 |
| K | Screw M4 x 13 mm | x4 |

COMPONENTS

| | | |
|----------|------------|----|
| 1 | Top Board | x1 |
| 2 | Main Board | x1 |



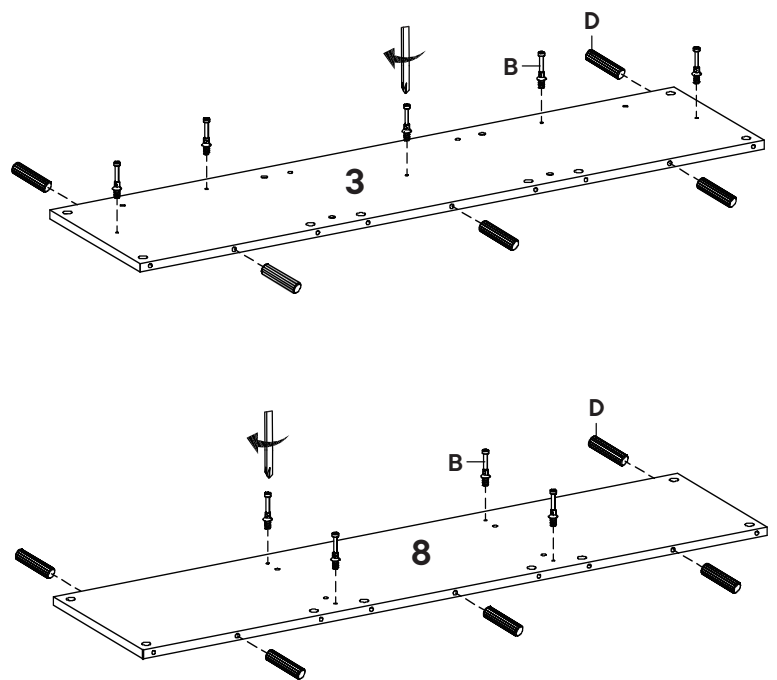
Step 2

HARDWARE

| | | |
|----------|---|-----|
| B | Cam Bolt $\varnothing 7.5 \times 32$ mm | x9 |
| D | Plastic Dowel M8 x 32 mm | x10 |

COMPONENTS

| | | |
|----------|--------------|----|
| 3 | Bottom Board | x1 |
| 8 | Middle Board | x1 |



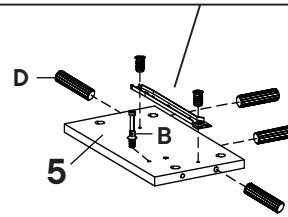
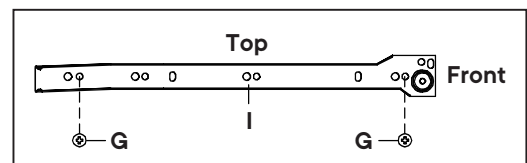
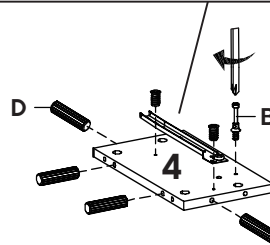
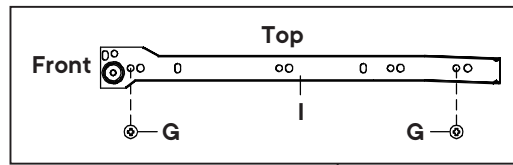
Step 3

HARDWARE

- B** Cam Bolt Ø7.5 x 32 mm x2
- D** Plastic Dowel M8 x 32 mm x8
- G** Screw M6 x 8 mm x4
- I** Drawer Rail x1

COMPONENTS

- 3** Left Board x1
- 7** Right Board x1



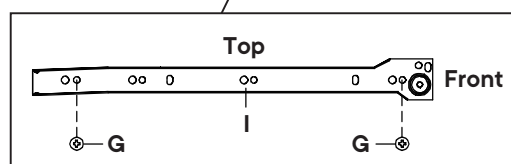
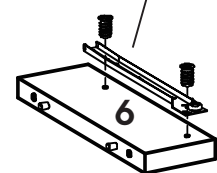
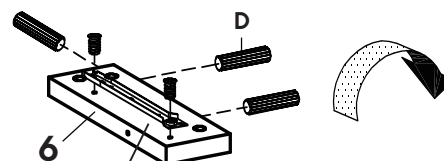
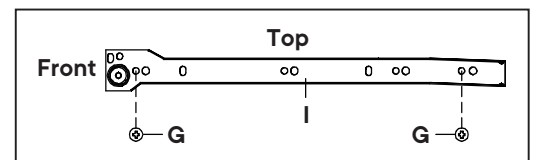
Step 4

HARDWARE

- D** Plastic Dowel M8 x 32 mm x3
- G** Screw M6 x 8 mm x4
- I** Drawer Rail x1

COMPONENTS

- 6** Divider Top Board x1



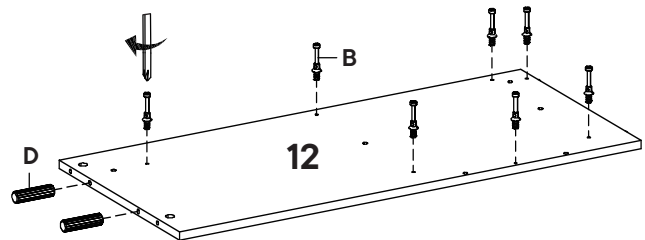
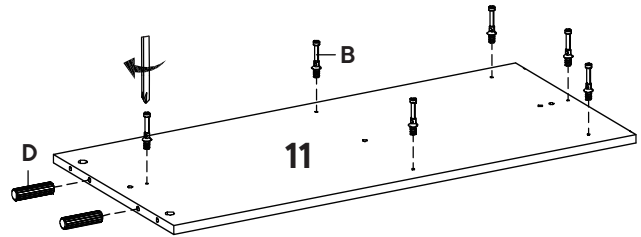
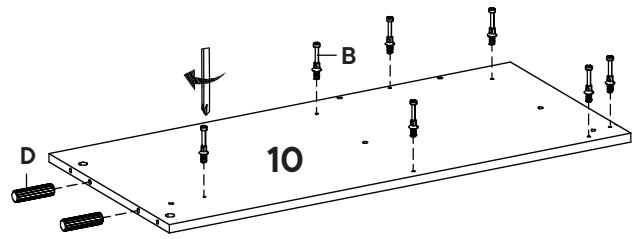
Step 5

HARDWARE

- B** Cam Bolt $\varnothing 7.5 \times 32$ mm x20
- D** Plastic Dowel M8 x 32 mm x6

COMPONENTS

- 10** Left Rear Board x1
- 11** Middle Rear Board x1
- 12** Right Rear Board x1



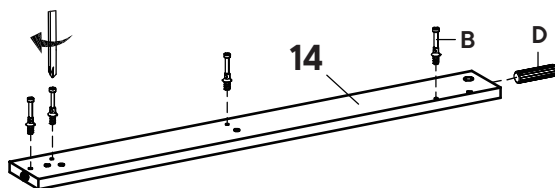
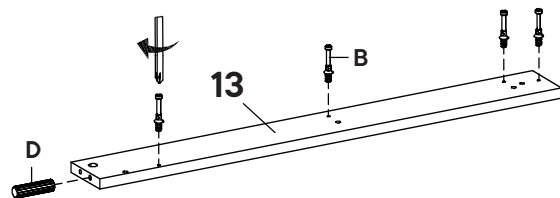
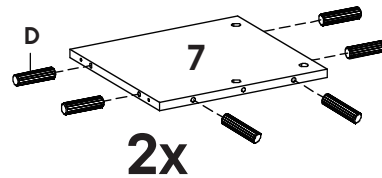
Step 6

HARDWARE

- B** Cam Bolt $\varnothing 7.5 \times 32$ mm x8
- D** Plastic Dowel M8 x 32 mm x14

COMPONENTS

- 7** Divider Bottom Board x1
- 13** Left Pillar x1
- 14** Right Pillar x1



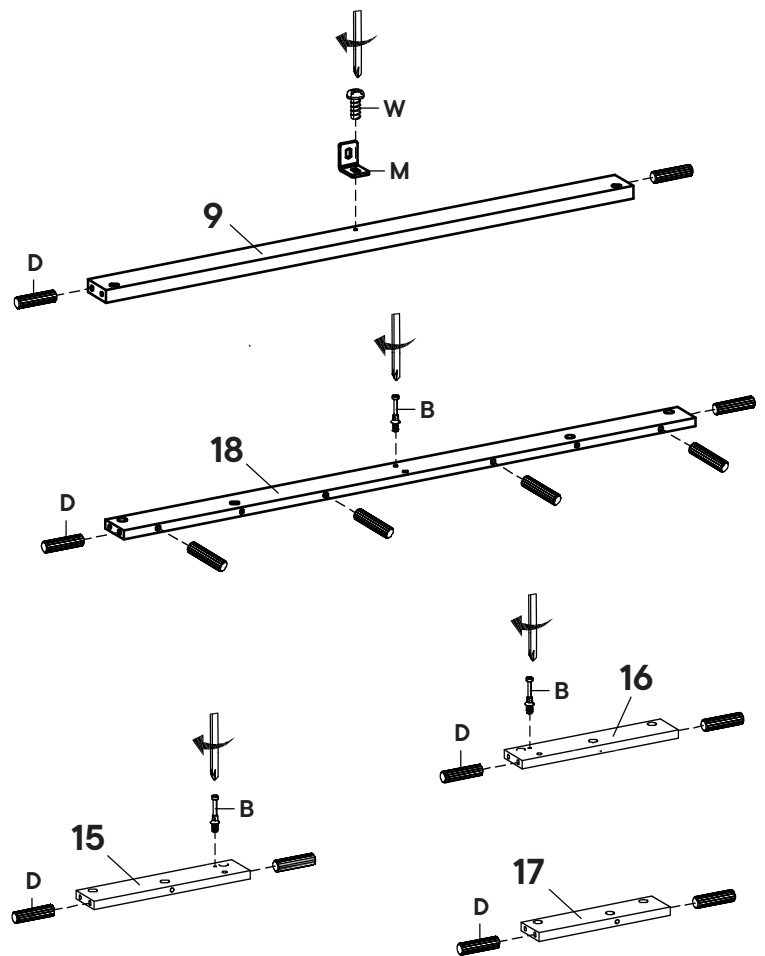
Step 7

HARDWARE

| | | |
|----------|--------------------------|-----|
| B | Cam Bolt Ø7.5 x 32 mm | x3 |
| D | Plastic Dowel M8 x 32 mm | x14 |
| W | Screw M4 x 10 mm | x1 |
| M | Metal Support | x1 |

COMPONENTS

| | | |
|-----------|-----------------------|----|
| 9 | Drawer Support | x1 |
| 15 | Left Bottom Support | x1 |
| 16 | Right Bottom Support | x1 |
| 17 | Middle Bottom Support | x1 |
| 18 | Large Bottom Support | x1 |



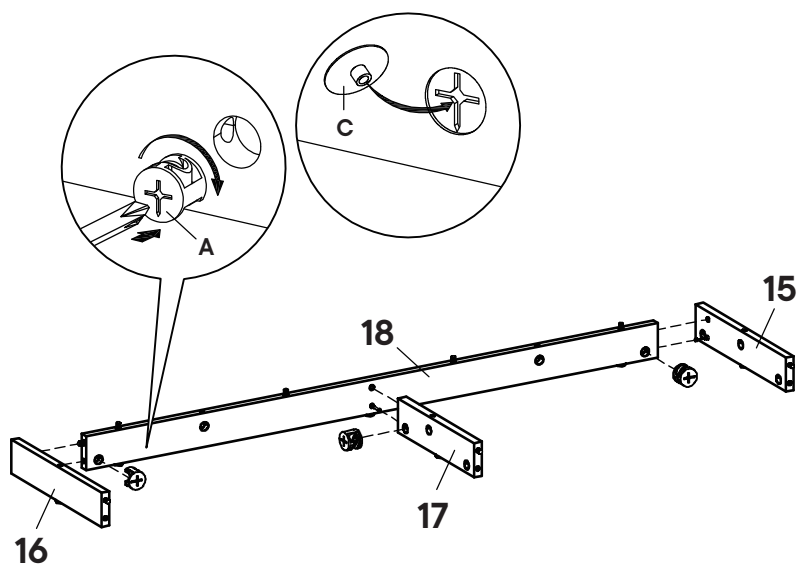
Step 8

HARDWARE

| | | |
|----------|------------------|----|
| A | Cam Lock Ø15 mm | x3 |
| C | Cam Cover Ø17 mm | x3 |

COMPONENTS

| | | |
|-----------|-----------------------|----|
| 15 | Left Bottom Support | x1 |
| 16 | Right Bottom Support | x1 |
| 17 | Middle Bottom Support | x1 |
| 18 | Large Bottom Support | x1 |



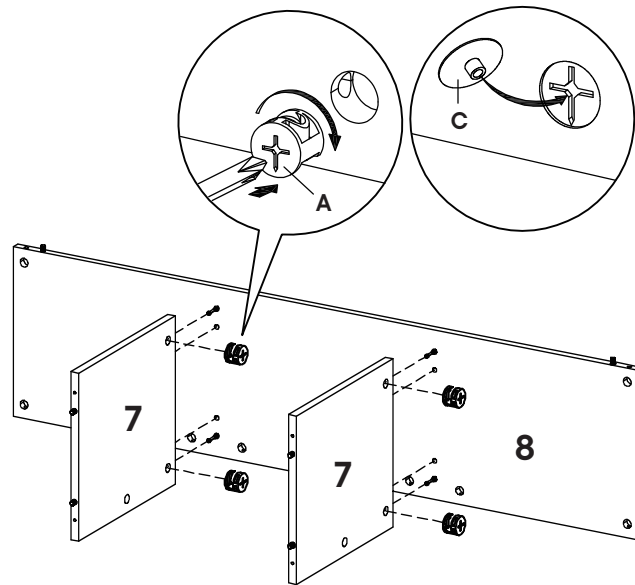
Step 9

HARDWARE

- A** Cam Lock Ø15 mm x4
- C** Cam Cover Ø17 mm x4

COMPONENTS

- 7** Divider Bottom Board x2
- 8** Middle Board x1



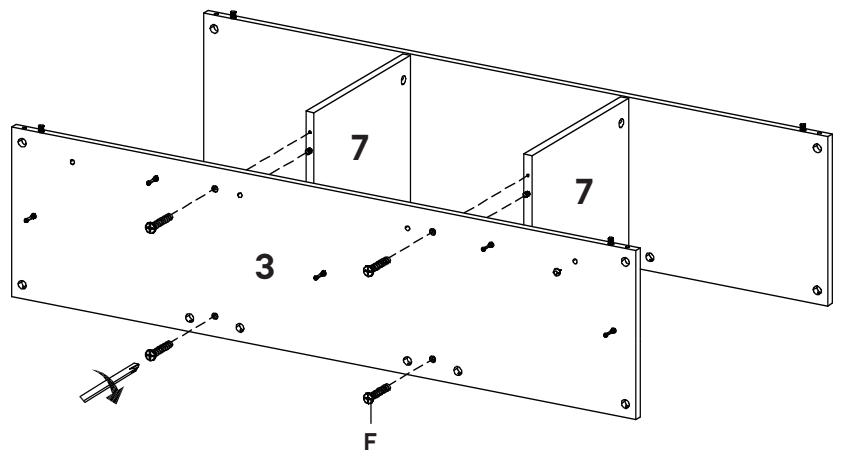
Step 10

HARDWARE

- F** Screw M10 x 33.5 mm x4

COMPONENTS

- 3** Bottom Board x1
- 7** Divider Bottom Board x2



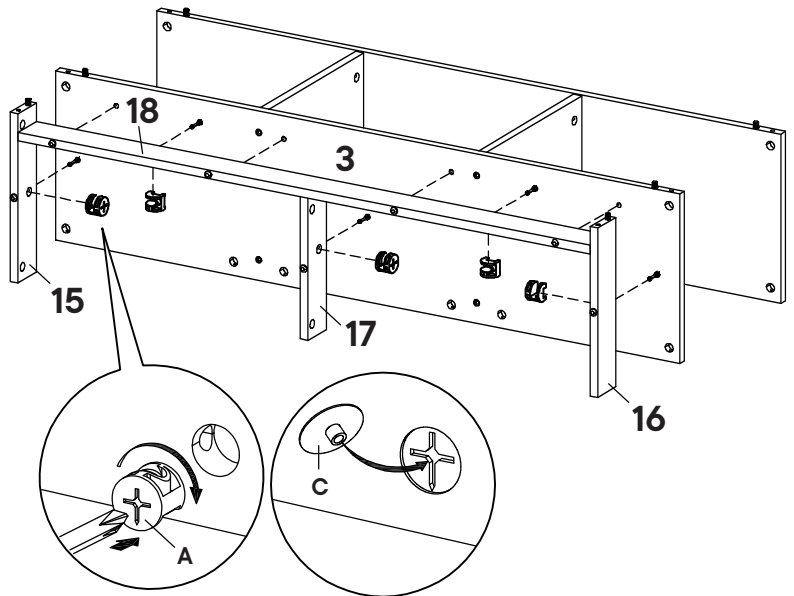
Step 11

HARDWARE

- A** Cam Lock Ø15 mm x5
- C** Cam Cover Ø17 mm x5

COMPONENTS

- 3** Bottom Board x1
- 15** Left Bottom Support x1
- 16** Right Bottom Support x1
- 17** Middle Bottom Support x1
- 18** Large Bottom Support x1



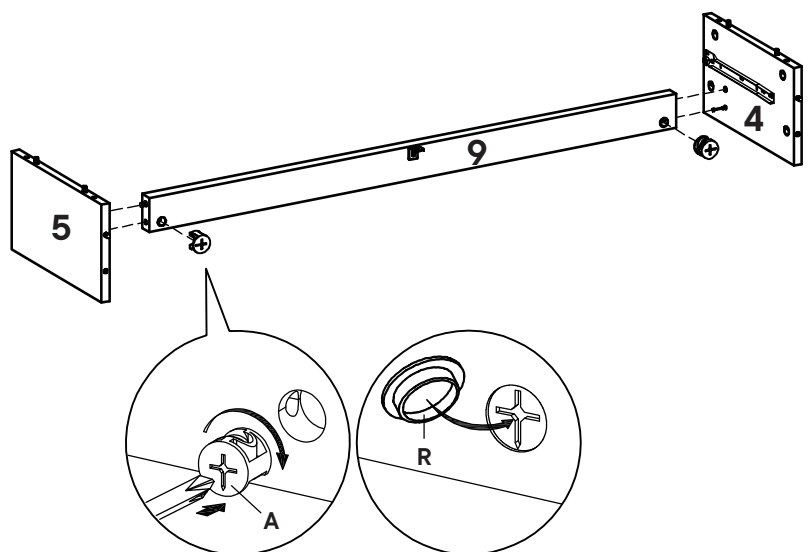
Step 12

HARDWARE

- A** Cam Lock Ø15 mm x2
- R** Cam Shock Ø17 mm x2

COMPONENTS

- 4** Left Board x1
- 5** Right Board x1
- 9** Drawer Support x1



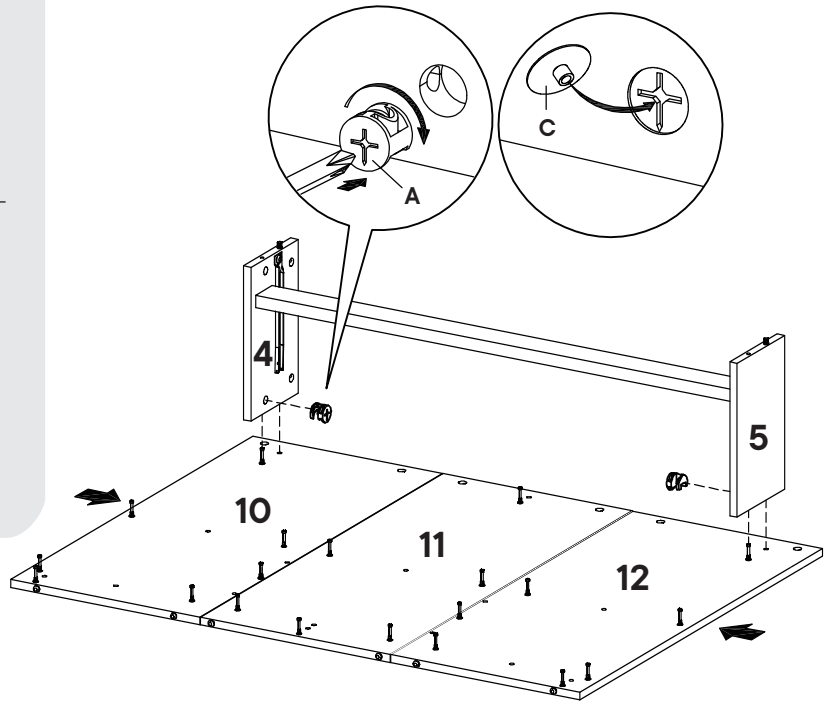
Step 13

HARDWARE

- A** Cam Lock Ø15 mm x2
- C** Cam Cover Ø17 mm x2

COMPONENTS

- 4** Left Board x1
- 5** Right Board x1
- 10** Left Rear Board x1
- 11** Middle Rear Board x1
- 12** Right Rear Board x1



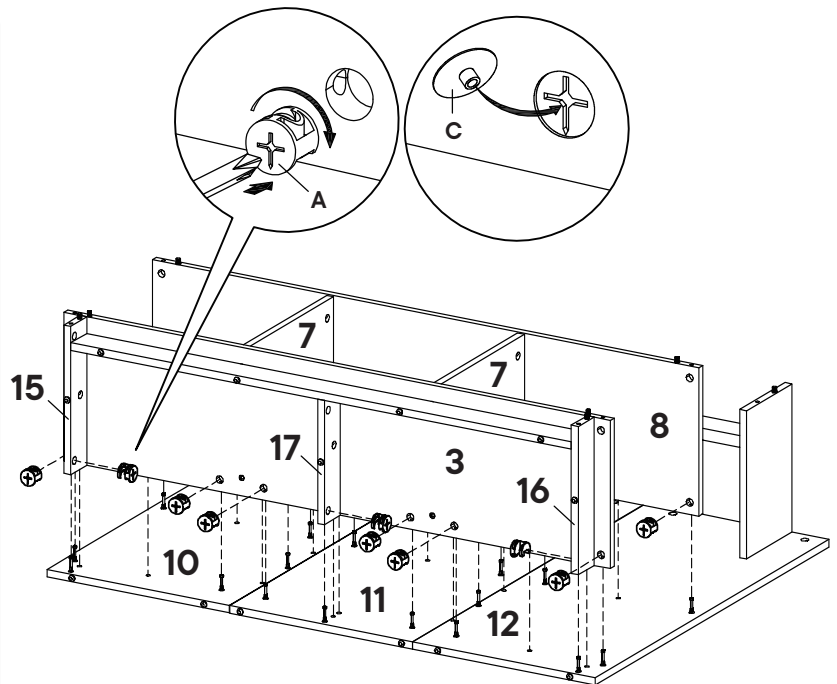
Step 14

HARDWARE

- A** Cam Lock Ø15 mm x17
- C** Cam Cover Ø17 mm x17

COMPONENTS

- 3** Bottom Board x1
- 7** Divider Bottom Board x2
- 8** Middle Board x1
- 10** Left Rear Board x1
- 11** Middle Rear Board x1
- 12** Right Rear Board x1
- 15** Left Bottom Support x1
- 16** Right Bottom Support x1
- 17** Middle Bottom Support x1



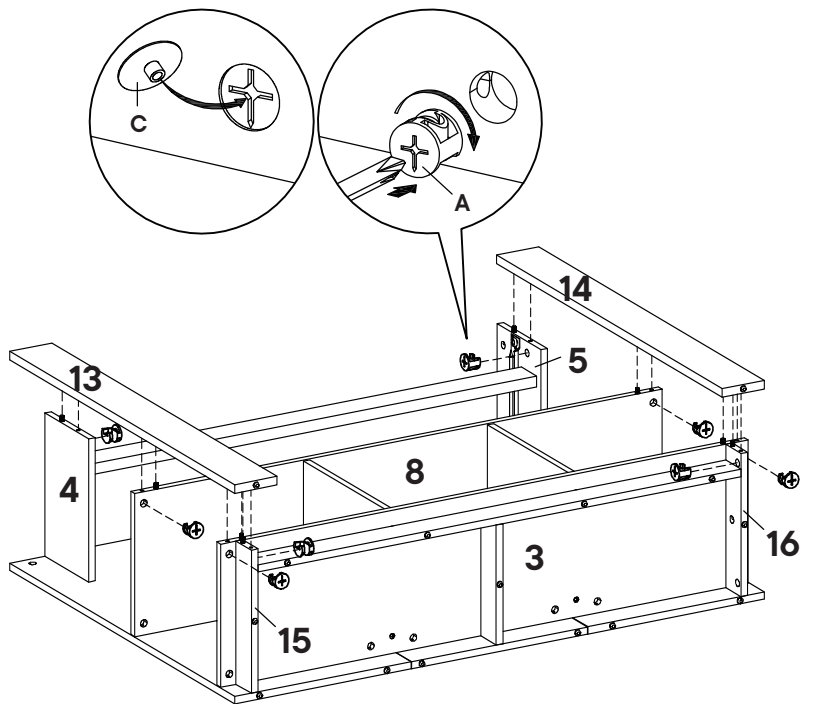
Step 15

HARDWARE

| | | |
|----------|------------------|----|
| A | Cam Lock Ø15 mm | x8 |
| C | Cam Cover Ø17 mm | x8 |

COMPONENTS

| | | |
|-----------|----------------------|----|
| 3 | Bottom Board | x1 |
| 4 | Left Board | x1 |
| 5 | Right Board | x1 |
| 8 | Middle Board | x1 |
| 13 | Left Pillar | x1 |
| 14 | Right Pillar | x1 |
| 15 | Left Bottom Support | x1 |
| 16 | Right Bottom Support | x1 |



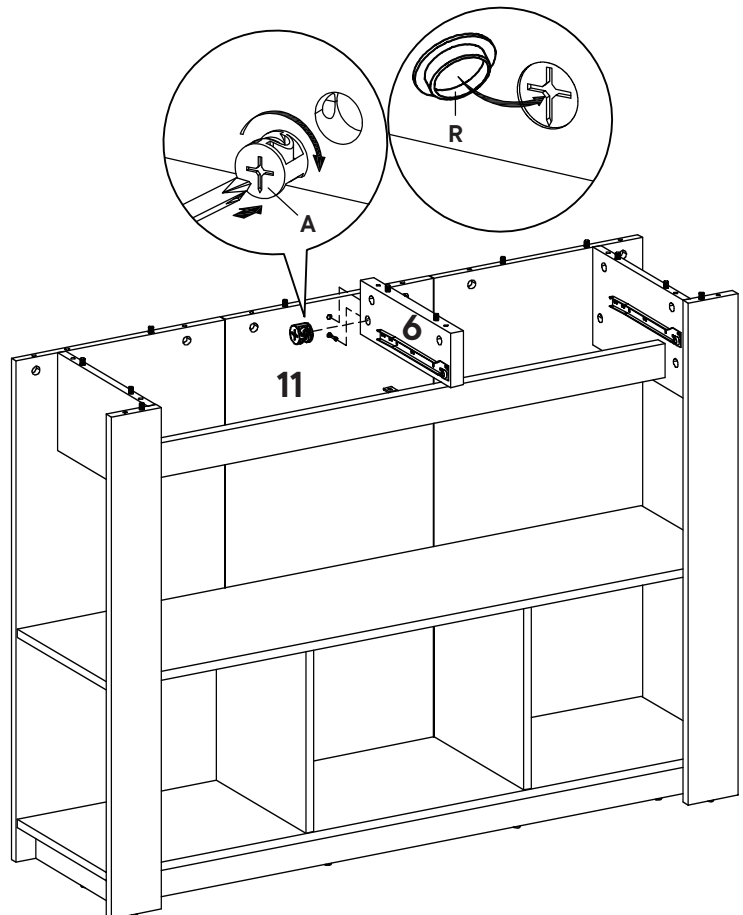
Step 16

HARDWARE

| | | |
|----------|------------------|----|
| A | Cam Lock Ø15 mm | x1 |
| R | Cam Shock Ø17 mm | x1 |

COMPONENTS

| | | |
|-----------|-------------------|----|
| 6 | Divider Top Board | x1 |
| 11 | Middle Rear Board | x1 |



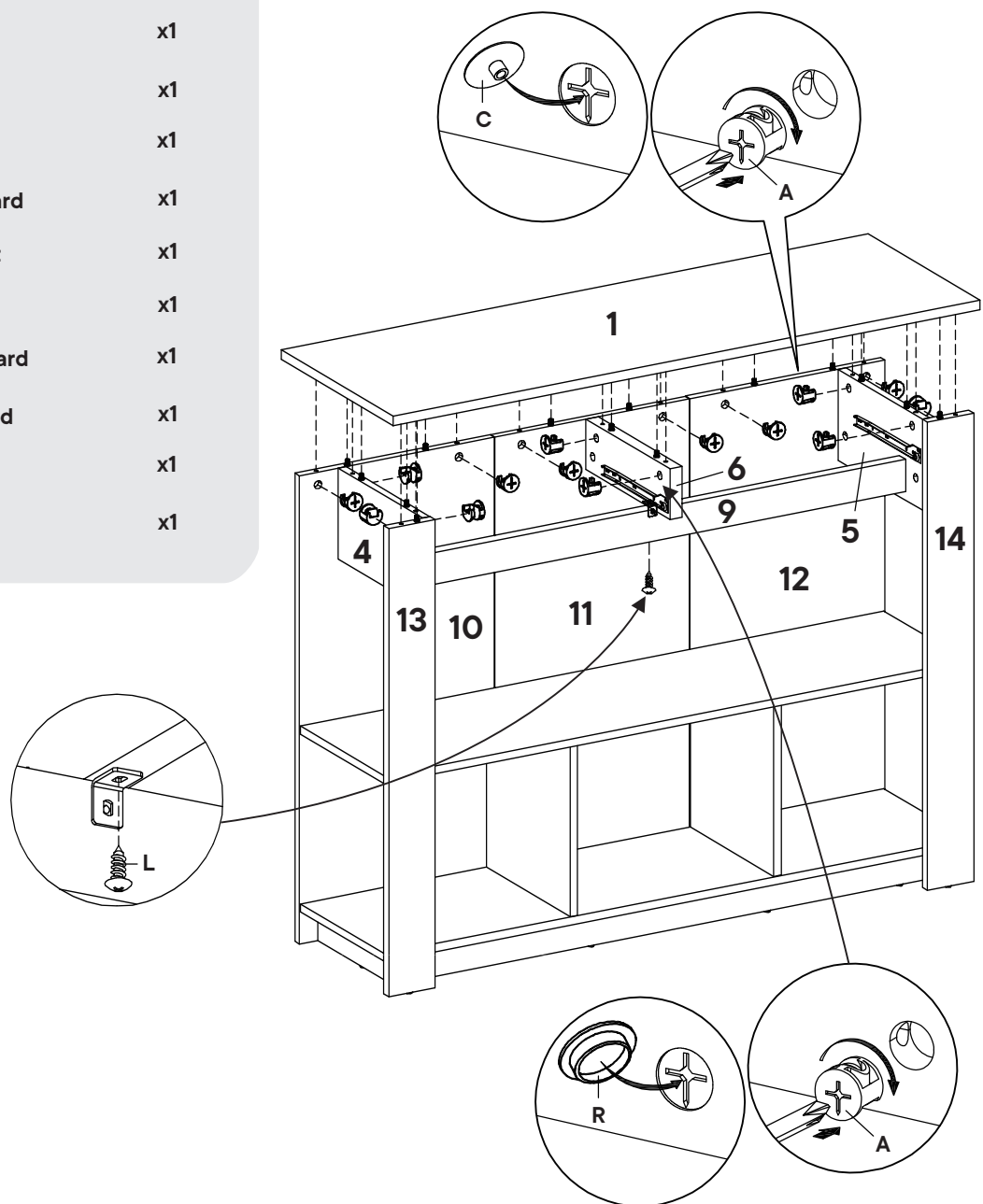
Step 17

HARDWARE

| | | |
|----------|------------------|-----|
| A | Cam Lock Ø15 mm | x14 |
| C | Cam Cover Ø17 mm | x12 |
| L | Screw M3 x 12 mm | x1 |
| R | Cam Shock Ø17 mm | x2 |

COMPONENTS

| | | |
|-----------|-------------------|----|
| 1 | Top Board | x1 |
| 4 | Left Board | x1 |
| 5 | Right Board | x1 |
| 6 | Divider Top Board | x1 |
| 9 | Drawer Support | x1 |
| 10 | Left Rear Board | x1 |
| 11 | Middle Rear Board | x1 |
| 12 | Right Rear Board | x1 |
| 13 | Left Pillar | x1 |
| 14 | Right Pillar | x1 |



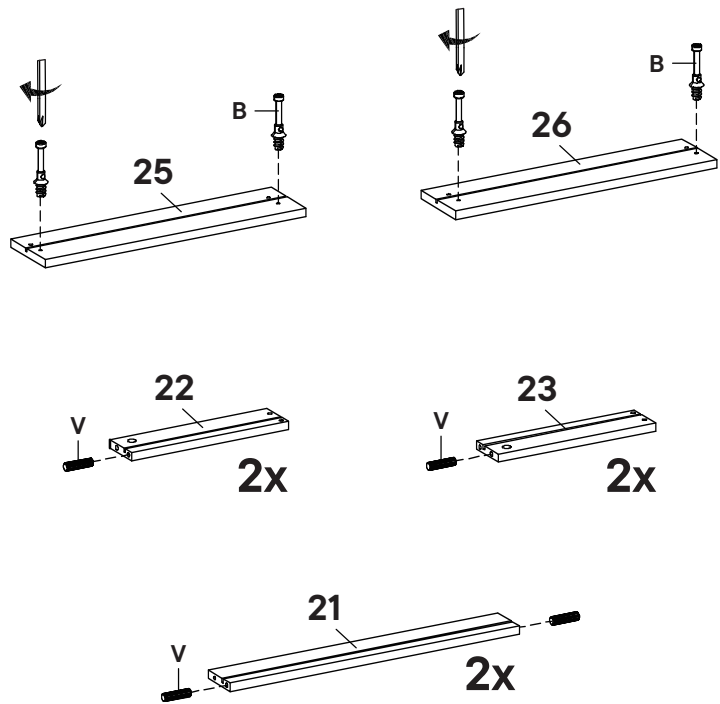
Step 18

HARDWARE

- B** Cam Bolt Ø7.5 x 32 mm x4
- V** Plastic Dowel M6 x 30 mm x8

COMPONENTS

- 21** Rear Drawer x2
- 22** Left Drawer x2
- 23** Right Drawer x2
- 25** Left Front Drawer x1
- 26** Right Front Drawer x1



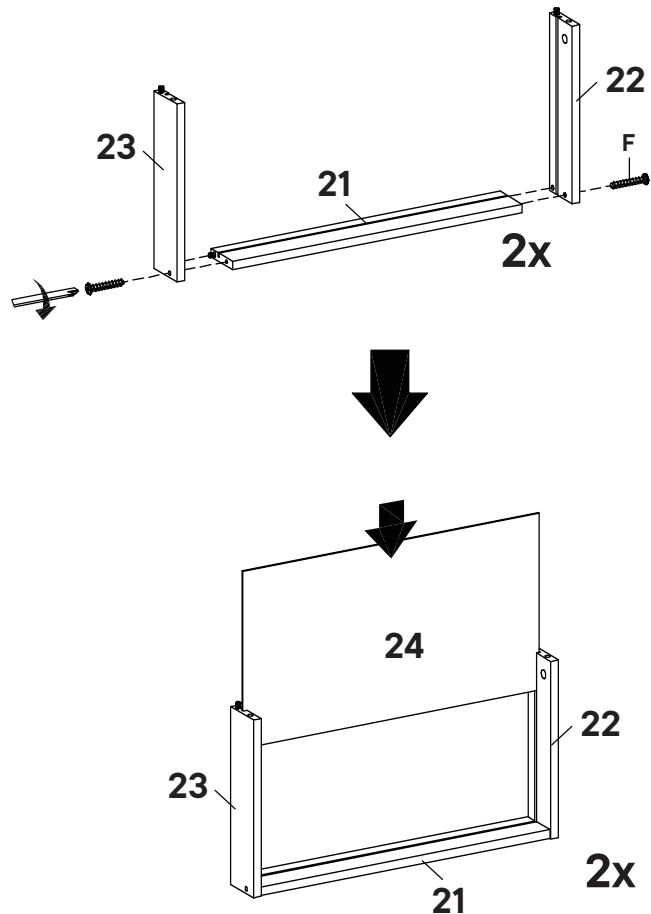
Step 19

HARDWARE

- F** Screw M10 x 33.5 mm x4

COMPONENTS

- 21** Rear Drawer x2
- 22** Left Drawer x2
- 23** Right Drawer x2
- 24** Bottom Drawer x2



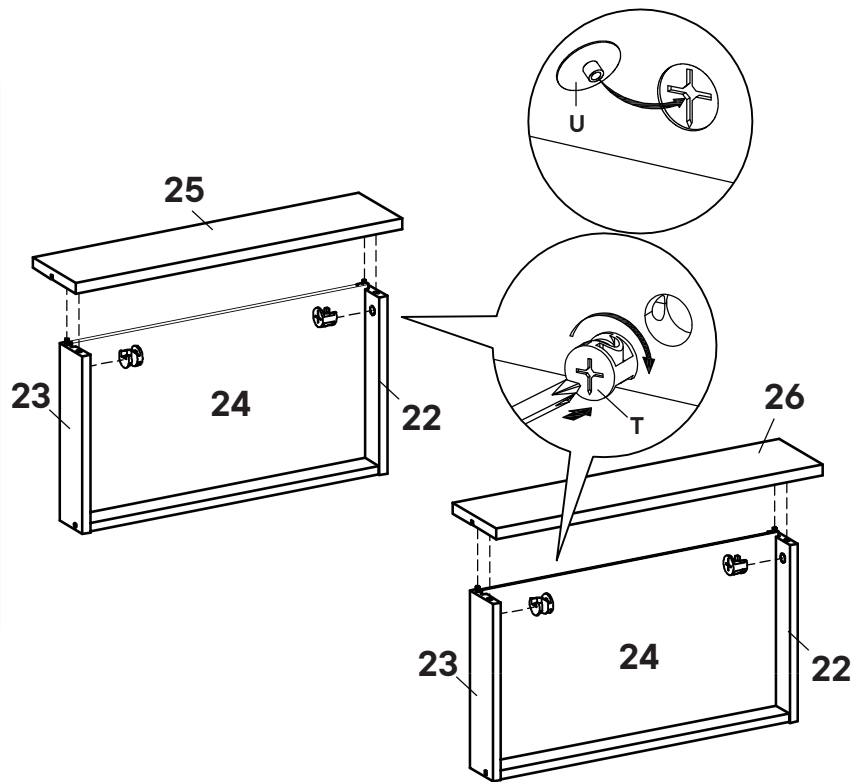
Step 20

HARDWARE

- T** Cam Lock Ø12 mm x4
- U** Cam Cover Ø15 mm x4

COMPONENTS

- 22** Left Drawer x2
- 23** Right Drawer x2
- 24** Bottom Drawer x2
- 25** Left Front Drawer x1
- 26** Right Front Drawer x1



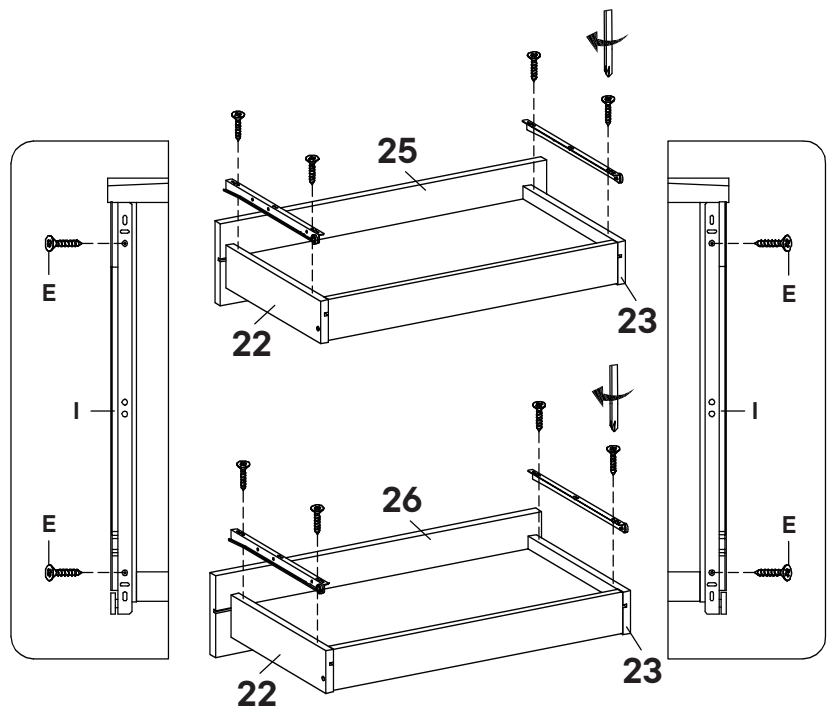
Step 21

HARDWARE

- E** Screw M6 x 13 mm x8
- I** Drawer Rail x2

COMPONENTS

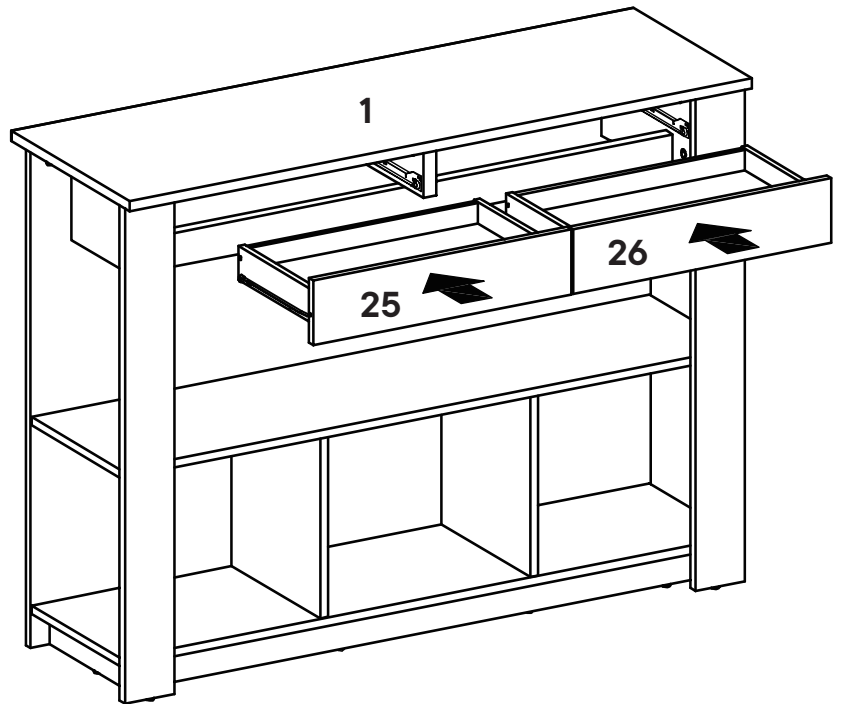
- 22** Left Drawer x2
- 23** Right Drawer x2
- 25** Left Front Drawer x1
- 26** Right Front Drawer x1



Step 22

COMPONENTS

- | | | |
|----|--------------------|----|
| 1 | Top Board | x1 |
| 25 | Left Front Drawer | x1 |
| 26 | Right Front Drawer | x1 |



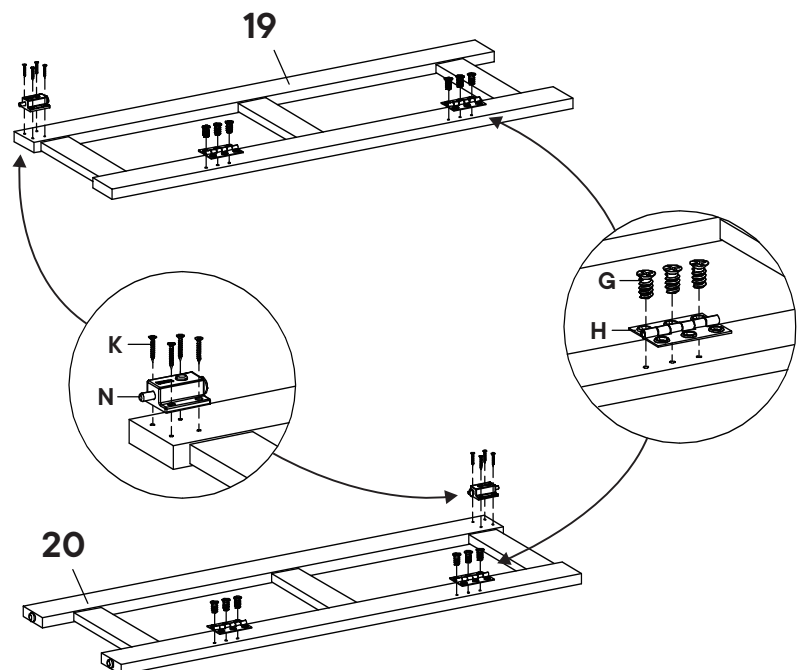
Step 23

HARDWARE

- | | | |
|---|------------------|-----|
| G | Screw M6 x 8 mm | x12 |
| H | Plate Support | x4 |
| K | Screw M4 x 13 mm | x8 |
| N | Door Latch | x2 |

COMPONENTS

- | | | |
|----|----------------------|----|
| 19 | Left Leg Main Board | x1 |
| 20 | Right Leg Main Board | x1 |



Step 24

HARDWARE

G Screw M6 x 8 mm x12

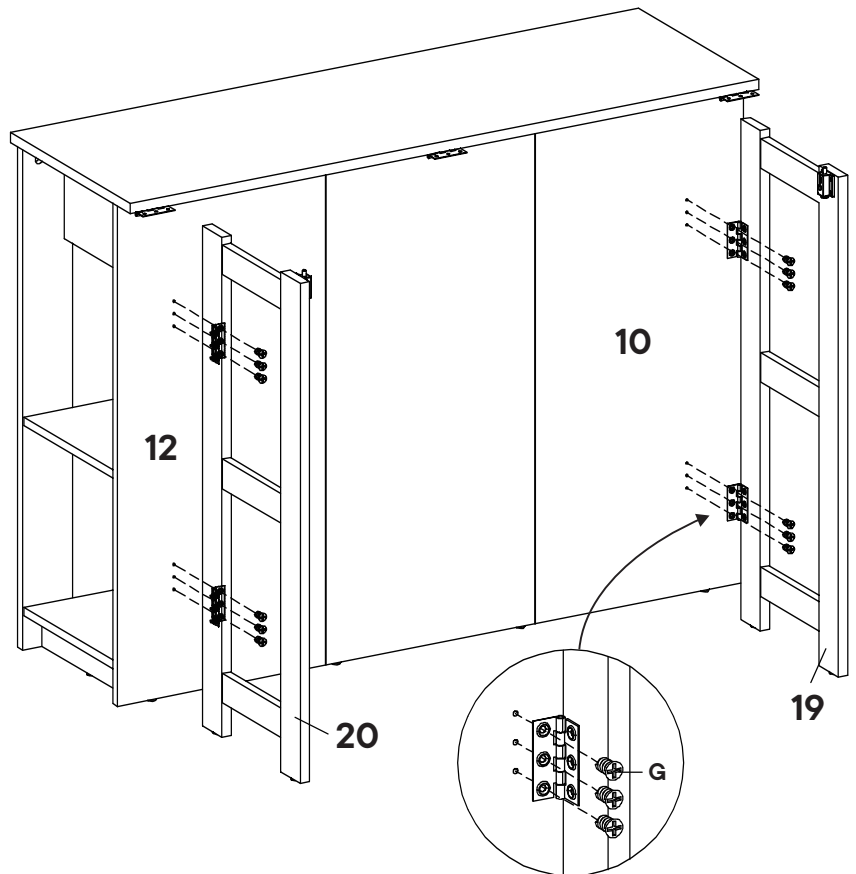
COMPONENTS

10 Left Rear Board x1

12 Right Rear Board x1

19 Left Leg Main Board x1

20 Right Leg Main Board x1



Step 25

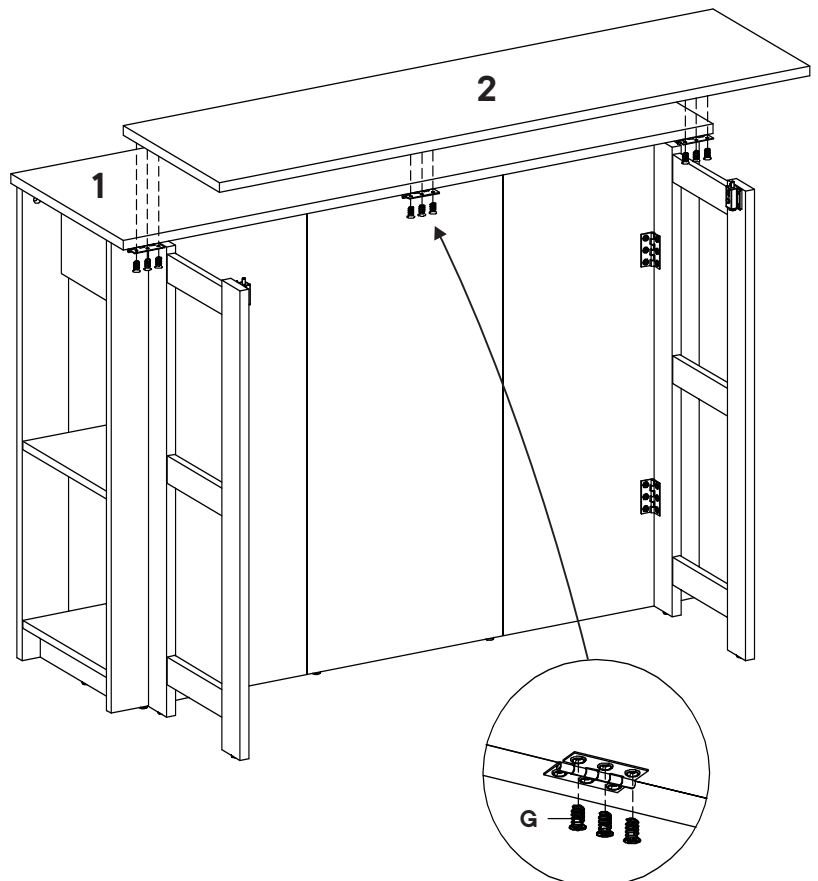
HARDWARE

G Screw M6 x 8 mm x9

COMPONENTS

1 Top Board x1

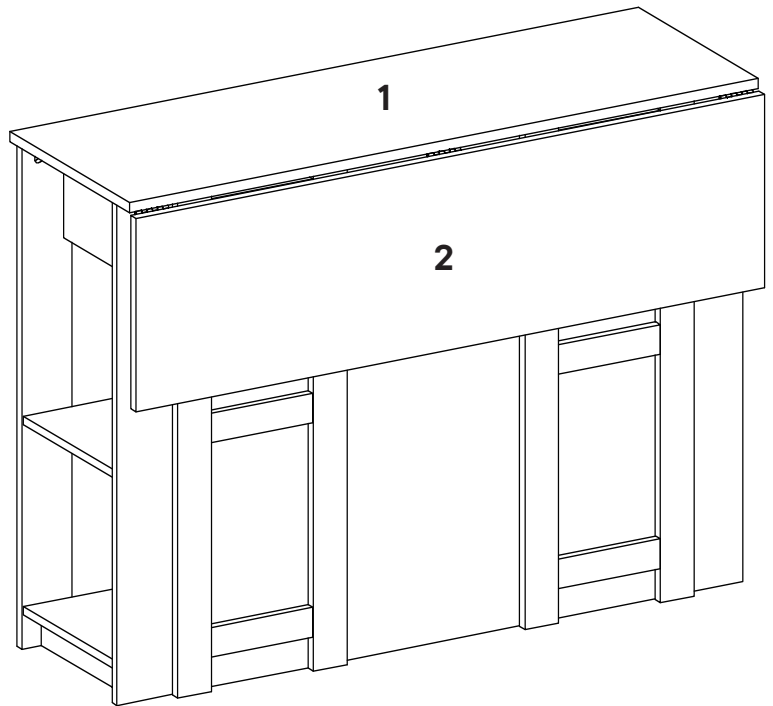
2 Main Board x1



Step 26

COMPONENTS

- 1 Top Board x1
- 2 Main Board x1



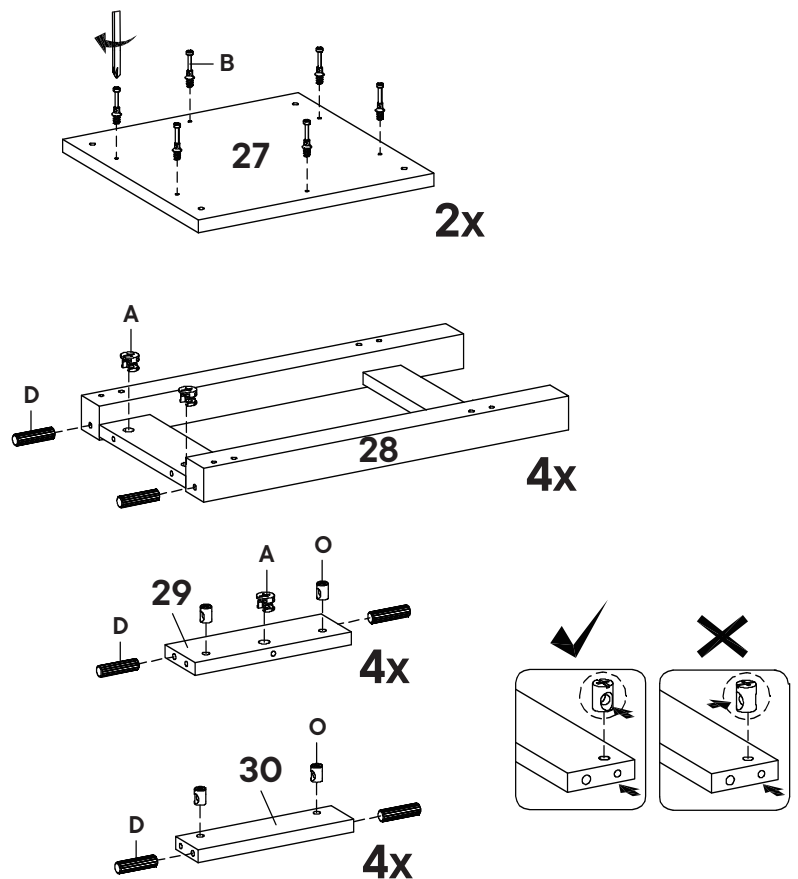
Step 27

HARDWARE

- A Cam Lock $\varnothing 15$ mm x12
- B Cam Bolt $\varnothing 7.5 \times 32$ mm x12
- D Plastic Dowel M8 x 32 mm x24
- O Barrel nut x16

COMPONENTS

- 27 Stools - Top Board x2
- 28 Stools - Side Leg x4
- 29 Stools - Top Support x4
- 30 Stools - Bottom Support x4



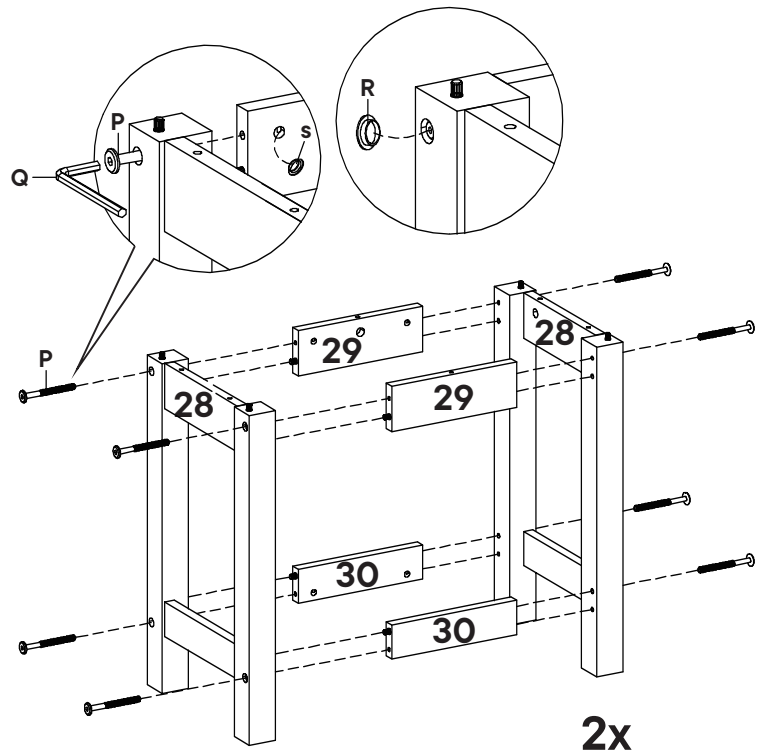
Step 28

HARDWARE

| | | |
|----------|------------------|-----|
| P | Screw M6 x 80 mm | x16 |
| Q | Allen Key | x1 |
| R | Cam Shock Ø17 mm | X16 |
| S | Cam Shock Ø15 mm | x16 |

COMPONENTS

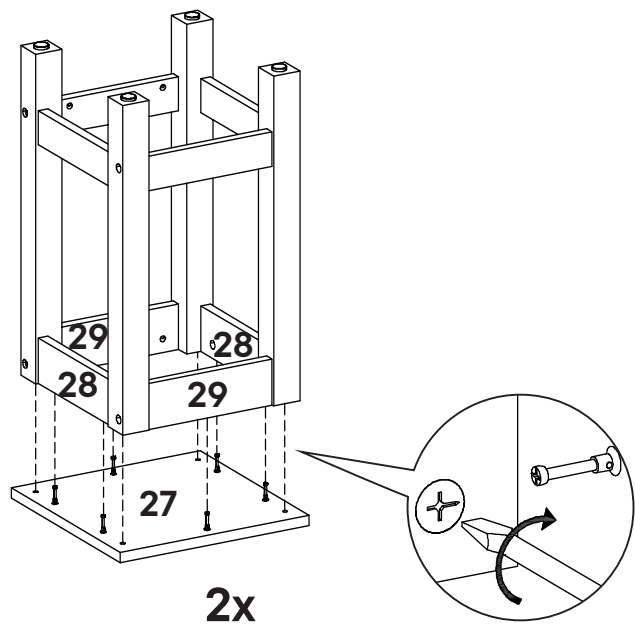
| | | |
|-----------|-------------------------|----|
| 28 | Stools - Side Leg | x4 |
| 29 | Stools - Top Support | x4 |
| 30 | Stools - Bottom Support | x4 |



Step 29

COMPONENTS

| | | |
|-----------|----------------------|----|
| 27 | Stools - Top Board | x2 |
| 28 | Stools - Side Leg | x4 |
| 29 | Stools - Top Support | x4 |



Great job!

Dining Table assembly is complete.

♥ CARING FOR YOUR ITEM

Indoor use only.

Not contract grade.

Clean using a non-abrasive cloth and a mild cleaner.

Never use harsh chemicals, as they could damage the finish or integrity of the item.

CONNECT WITH US!

Tag us @modway_furniture and #modway for a chance to be featured.

