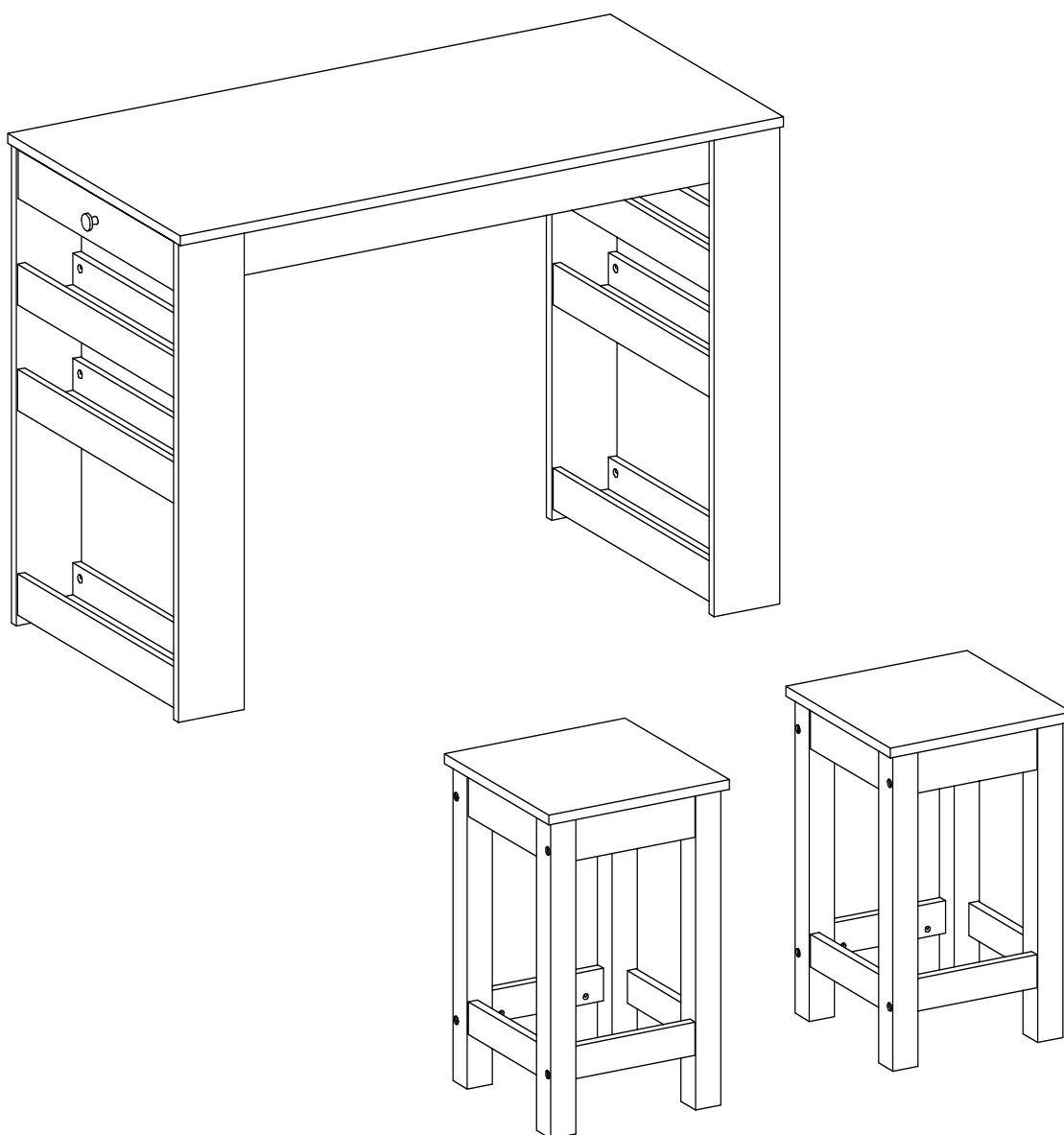


ASSEMBLY INSTRUCTIONS

EEI-6730

V1.10.10.23



Questions? Contact us!

609.256.9000 • cs@modway.com
www.modway.com

***modway**



Read through all of the instructions before starting



Care instructions are listed in the last step of this manual



Approx. 60 minutes assembly time



Make sure you have all parts and components before discarding any packing materials



2 people recommended for assembly

Only use hand tools to assemble this item. Do not use power tools. Do not tighten bolts or screws completely until all hardware is lined up and inserted into the holes.

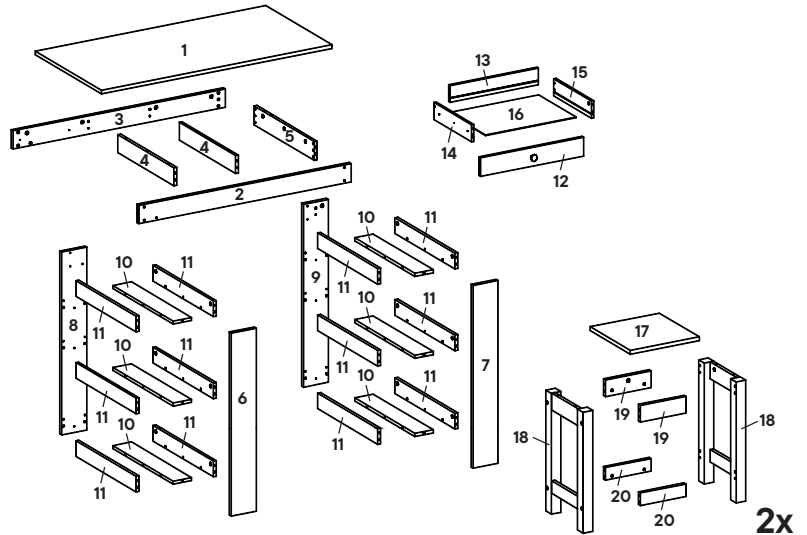
Do not over-tighten screws and bolts to avoid stripping the hardware or cracking the item.

Assemble your item on a flat, carpeted area, with plenty of space to work. This will prevent damage and scratches to your floors or the item while you're assembling the product.

Keep all components and packaging out of reach of children or animals to avoid risk of choking or suffocation.

Furniture components:

1	Top Board	x1	11	Shelf Support	x12
2	Front Support	x1	12	Front Drawer	x1
3	Rear Support	x1	13	Rear Drawer	x1
4	Left Support	x2	14	Left Drawer	x1
5	Right Support	x1	15	Right Drawer	x1
6	Front Left Pillar	x1	16	Bottom Drawer	x1
7	Front Right Pillar	x1	17	Stools - Top Board	x2
8	Rear Left Pillar	x1	18	Stools - Leg	x4
9	Rear Right Pillar	x1	19	Stools - Top Support	x4
10	Shelf Board	x6	20	Stools - Bottom Support	x4



Provided hardware:

A		Cam Lock Ø12 mm	x2	K		Screw M10 x 33.5 mm	x2	U		Backply Stopper	x4
B		Cam Lock Ø15 mm	x81	L		Screw M6 x 60 mm	x2				
C		Cam Bolt Ø7.5 x 32 mm	x83	M		Screw M6 x 100 mm	x16				
D		Plastic Dowel M6 x 30 mm	x4	N		Barrel Nut	x18				
E		Plastic Dowel M8 x 32 mm	x100	O		Screw M4 x 19 mm	x4				
F		Cam Sticker Ø20 mm (Riviera)	x48	P		Handle	x1				
G		Cam Sticker Ø20 mm (Grey)	x71	Q		Allen Key	x1				
H		Screw M6 x 8 mm	x8	R		Nail Leg	x8				
I		Screw M4 x 20 mm	x1	S		Nail Leg	x8				
J		Screw M10 x 25 mm	x10	T		Drawer Rail	x2				

What you need:



Wait!

Missing parts or hardware? Need assistance?
Contact us before returning your item. We're here to help!
609.256.9000 • cs@modway.com

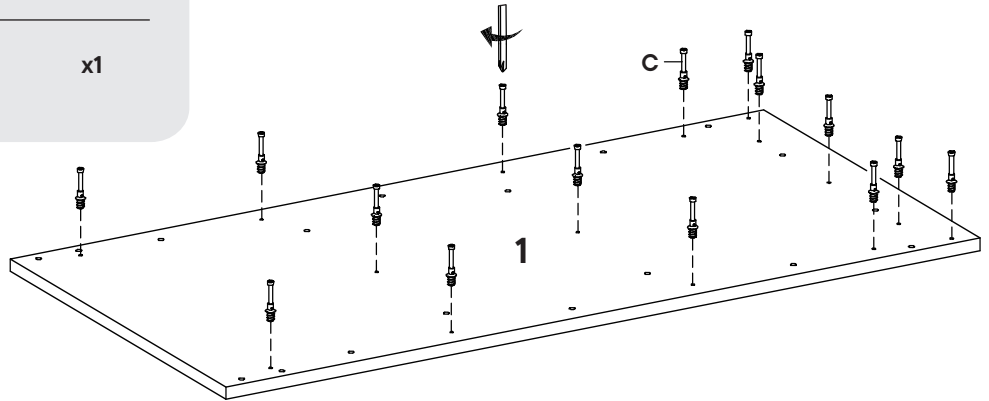
Step 1

HARDWARE

C Cam Bolt $\varnothing 7.5 \times 32$ mm x15

COMPONENTS

1 Top Board x1



Step 2

HARDWARE

C Cam Bolt $\varnothing 7.5 \times 32$ mm x4

E Plastic Dowel M8 x 32 mm x10

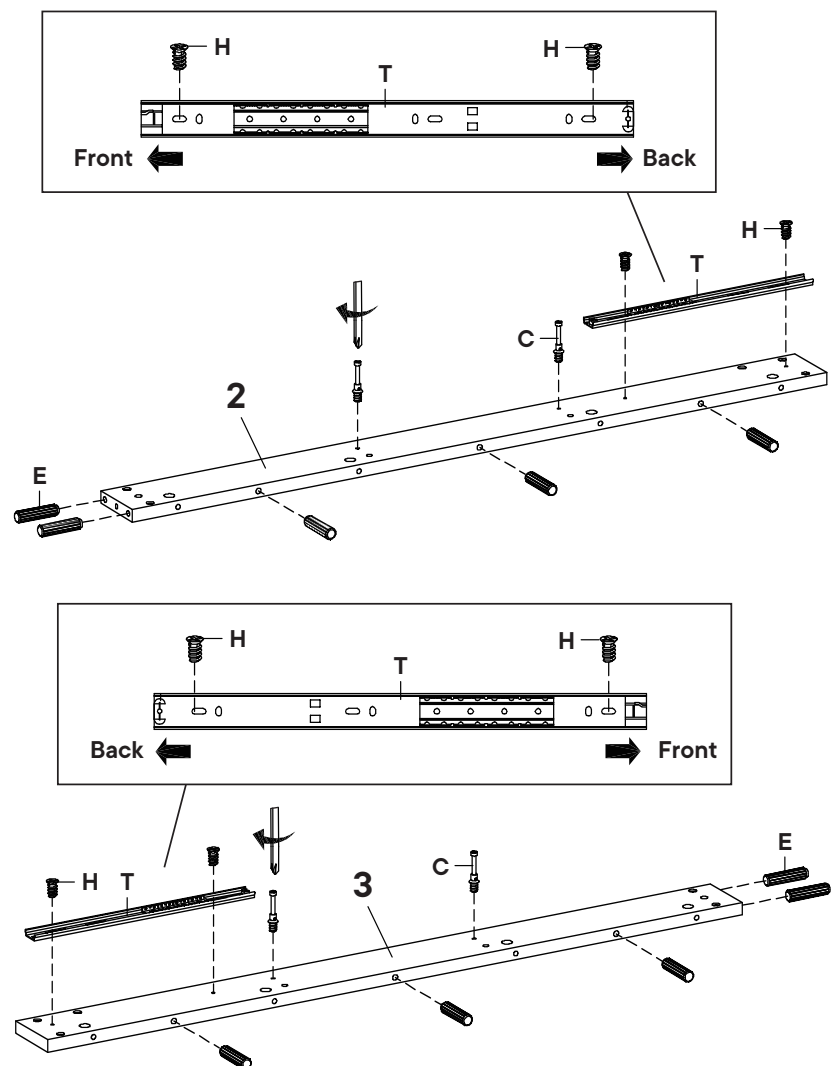
H Screw M6 x 8 mm x4

T Drawer Rail x2

COMPONENTS

2 Front Support x1

3 Rear Support x1



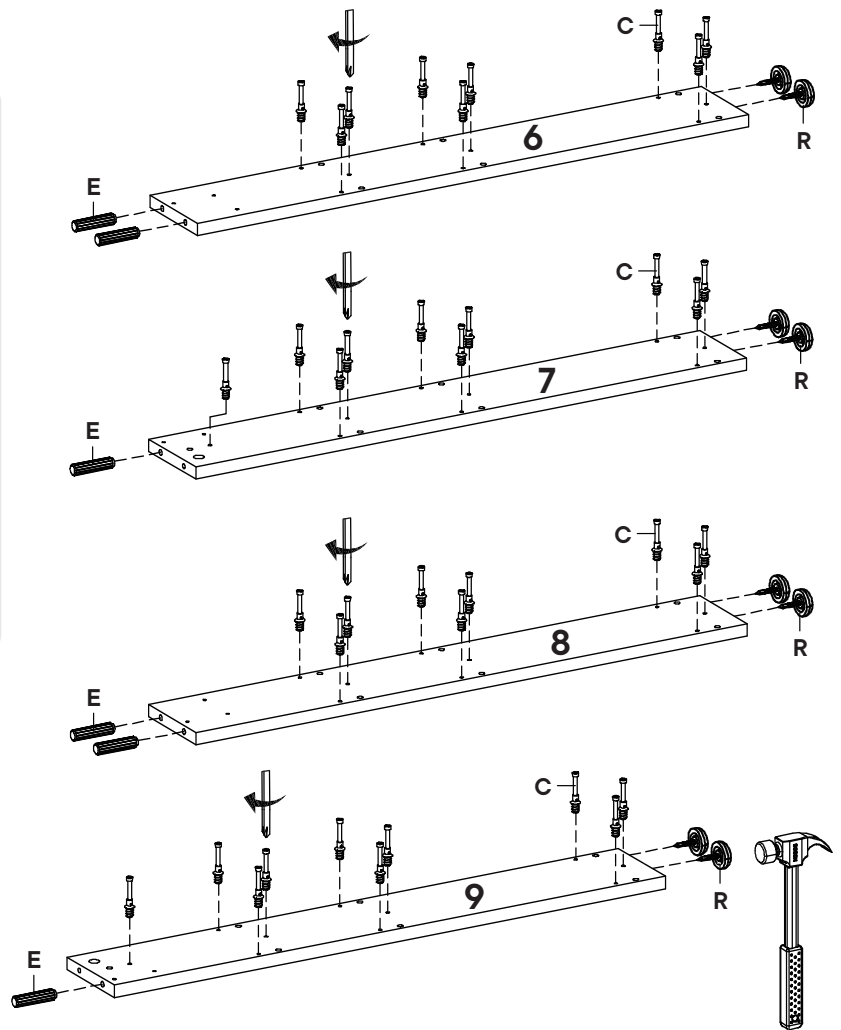
Step 3

HARDWARE

- C** Cam Bolt $\varnothing 7.5 \times 32$ mm x38
- E** Plastic Dowel M8 x 32 mm x6
- R** Nail Leg x8

COMPONENTS

- 6** Front Left Pillar x1
- 7** Front Right Pillar x1
- 8** Rear Left Pillar x1
- 9** Rear Right Pillar x1



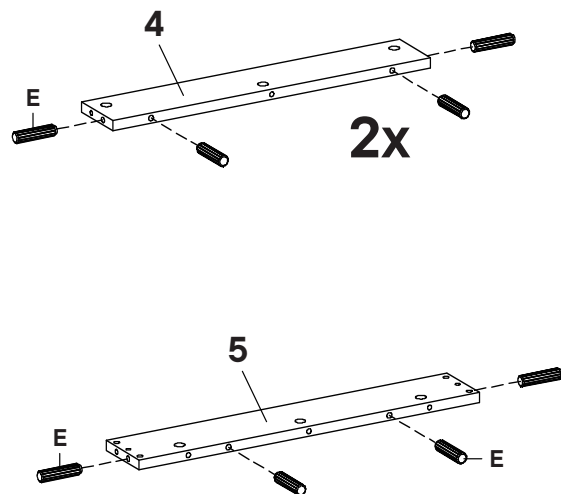
Step 4

HARDWARE

- E** Plastic Dowel M8 x 32 mm x12

COMPONENTS

- 4** Left Support x2
- 5** Right Support x1



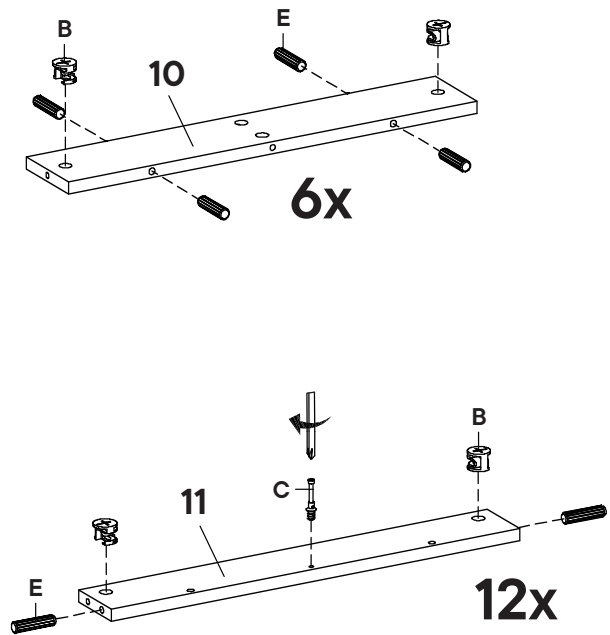
Step 5

HARDWARE

B	Cam Lock Ø15 mm	x36
C	Cam Bolt Ø7.5 x 32 mm	x12
E	Plastic Dowel M8 x 32 mm	x48

COMPONENTS

10	Shelf Board	x6
11	Shelf Support	x12



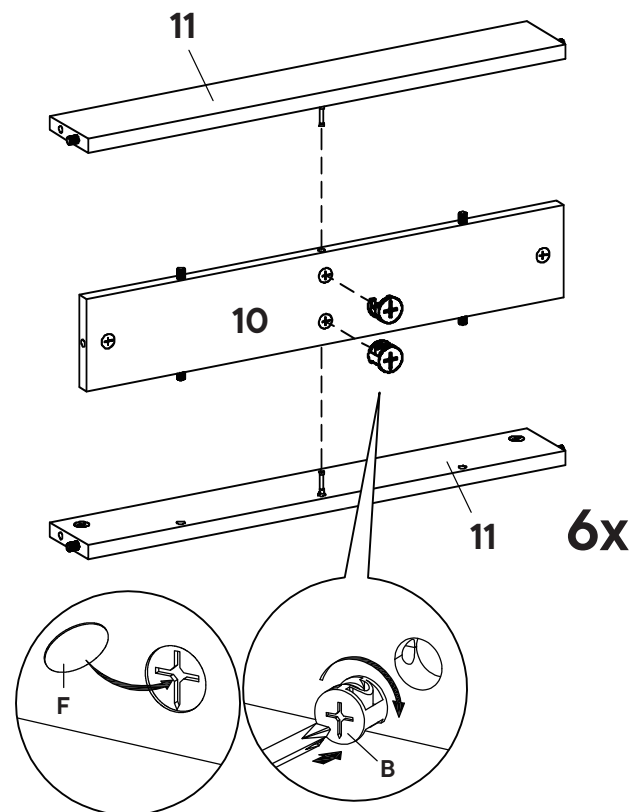
Step 6

HARDWARE

B	Cam Lock Ø15 mm	x12
F	Cam Sticker Ø20 mm (Riviera) x12	

COMPONENTS

10	Shelf Board	x1
11	Shelf Support	x2



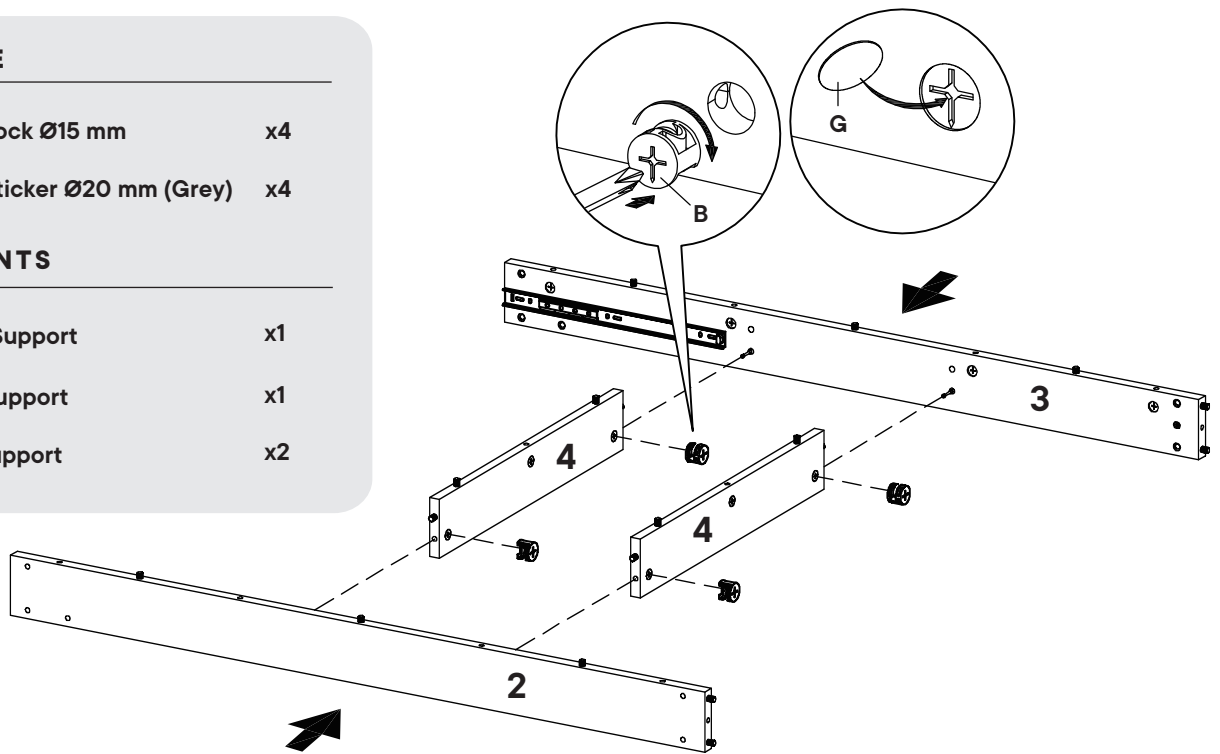
Step 7

HARDWARE

- B** Cam Lock Ø15 mm x4
- G** Cam Sticker Ø20 mm (Grey) x4

COMPONENTS

- 2** Front Support x1
- 3** Rear Support x1
- 4** Left Support x2



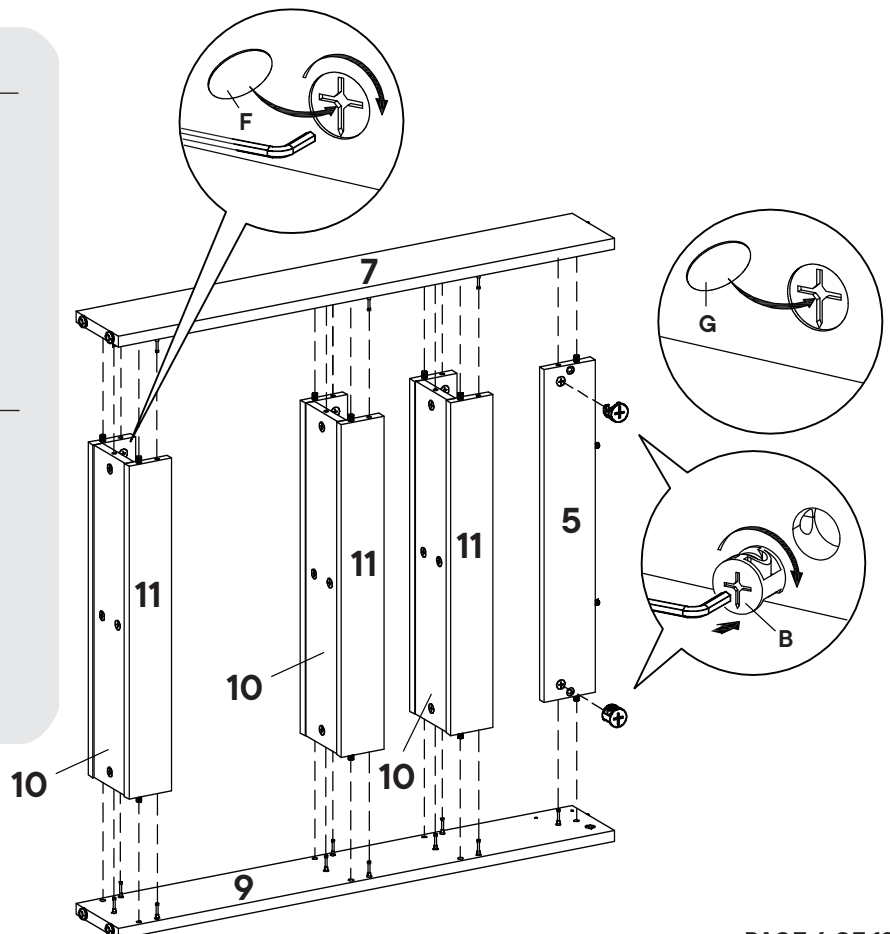
Step 8

HARDWARE

- B** Cam Lock Ø15 mm x2
- F** Cam Cover Ø20 mm (Riviera) x18
- G** Cam Cover Ø20 mm (Grey) x2
- Q** Allen Key x1

COMPONENTS

- 5** Right Support x1
- 7** Front Right Pillar x1
- 9** Rear Right Pillar x1
- 10** Shelf Board x3
- 11** Shelf Support x6



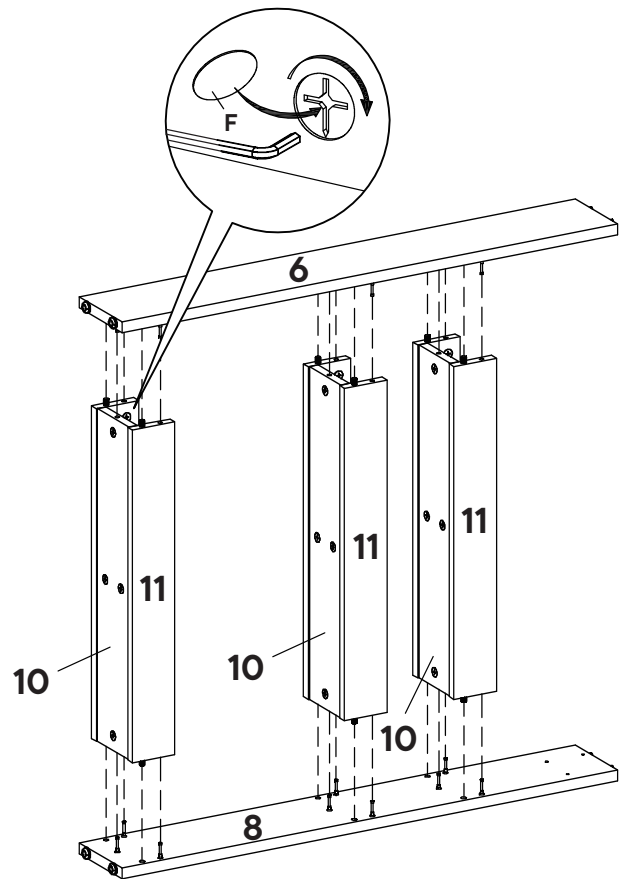
Step 9

HARDWARE

- F** Cam Sticker Ø20 mm (Riviera) x18
- Q** Allen Key x1

COMPONENTS

- 6** Front Left Pillar x1
- 8** Rear Left Pillar x1
- 10** Shelf Board x3
- 11** Shelf Support x6



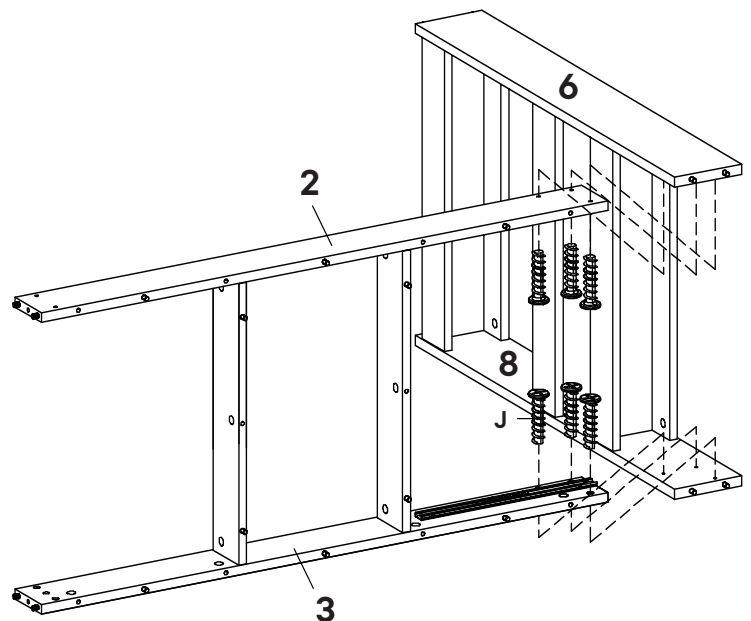
Step 10

HARDWARE

- J** Screw M10 x 25 mm x6

COMPONENTS

- 2** Front Support x1
- 3** Rear Support x1
- 6** Front Left Pillar x1
- 8** Rear Left Pillar x1



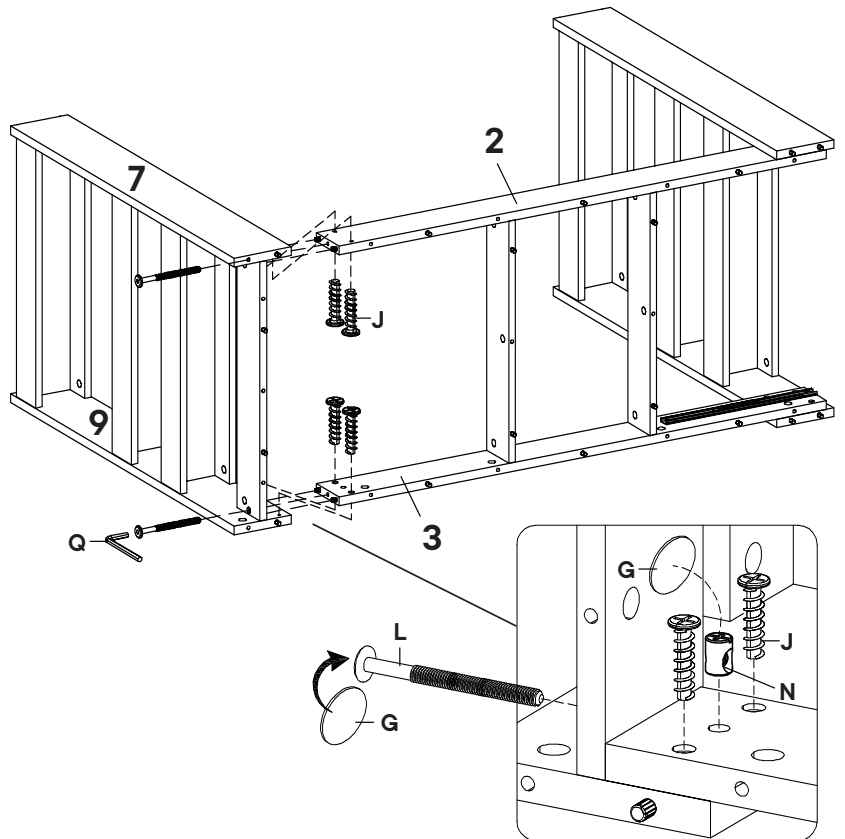
Step 11

HARDWARE

J	Screw M10 x 25 mm	x4
G	Cam Sticker Ø20 mm (Grey)	x4
L	Screw M6 x 60 mm	x2
N	Barrel Nut	x2
Q	Allen Key	x1

COMPONENTS

2	Front Support	x1
3	Rear Support	x1
7	Front Right Pillar	x1
9	Rear Right Pillar	x1



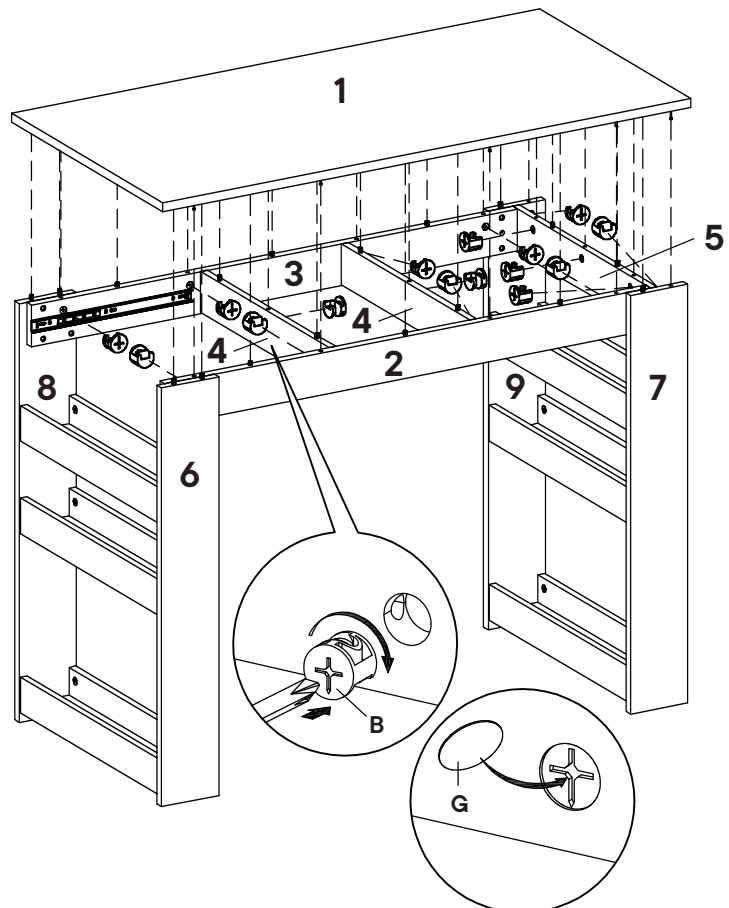
Step 12

HARDWARE

B	Cam Lock Ø15 mm	x15
G	Cam Cover Ø20 mm (Grey)	x15

COMPONENTS

1	Top Board	x1
2	Front Support	x1
3	Rear Support	x1
4	Left Support	x2
5	Right Support	x1
6	Left Front Pillar	x1
7	Right Front Pillar	x1
8	Left Rear Pillar	x1
9	Right Rear Pillar	x1



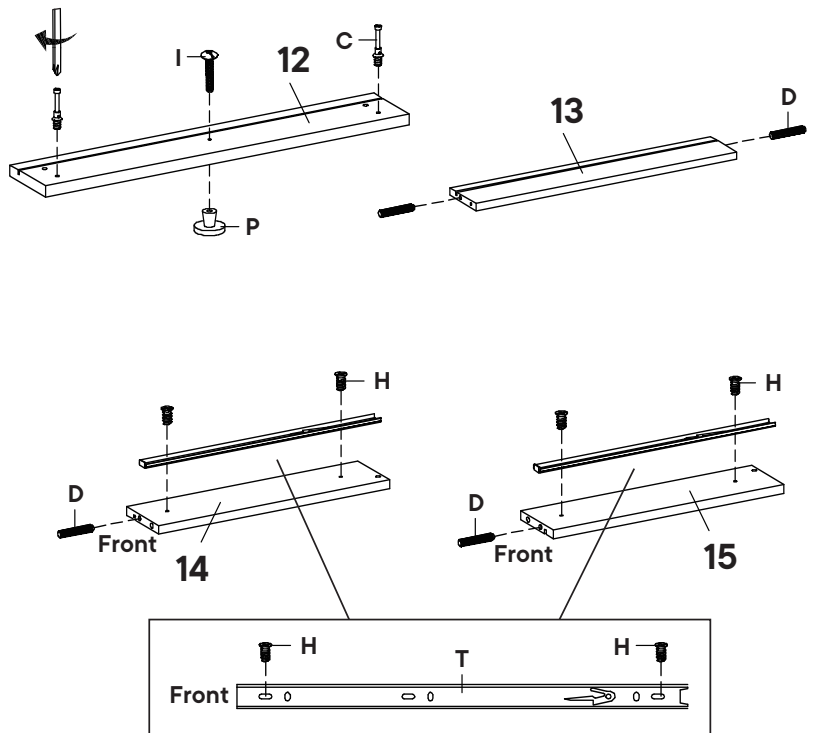
Step 13

HARDWARE

C	Cam Bolt $\varnothing 7.5 \times 32$ mm	x2
D	Plastic Dowel M6 x 30 mm	x4
H	Screw M6 x 8 mm	x4
I	Screw M4 x 20 mm	x1
T	Drawer Rail	x2
P	Handle	x1

COMPONENTS

12	Front Drawer	x1
13	Rear Drawer	x1
14	Left Drawer	x1
15	Right Drawer	x1



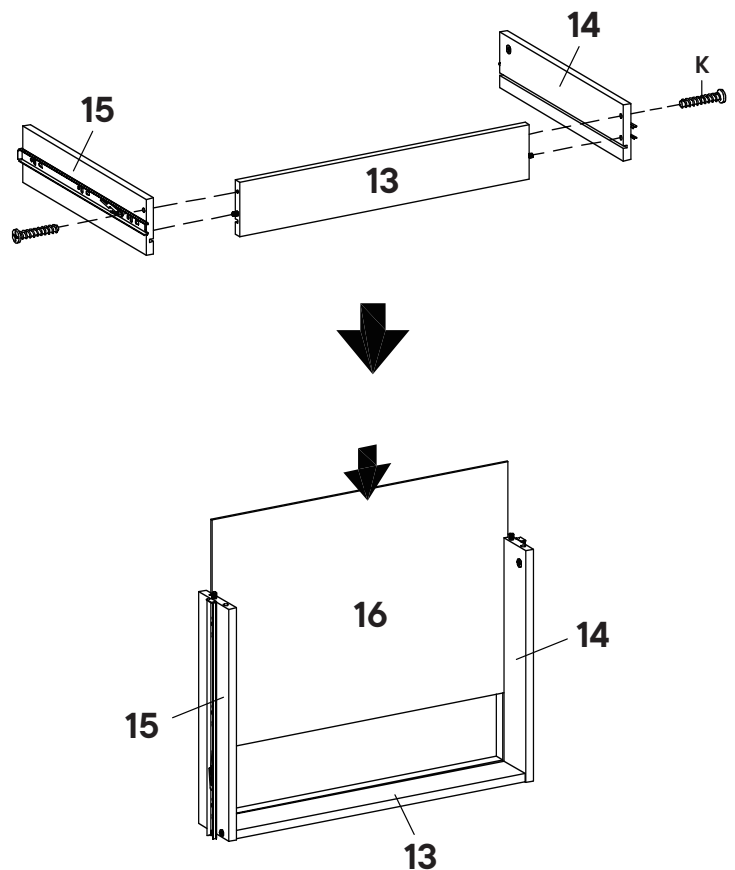
Step 14

HARDWARE

K	Screw M10 x 33.5 mm	x2
----------	---------------------	----

COMPONENTS

13	Rear Drawer	x1
14	Left Drawer	x1
15	Right Drawer	x1
16	Bottom Drawer	x1



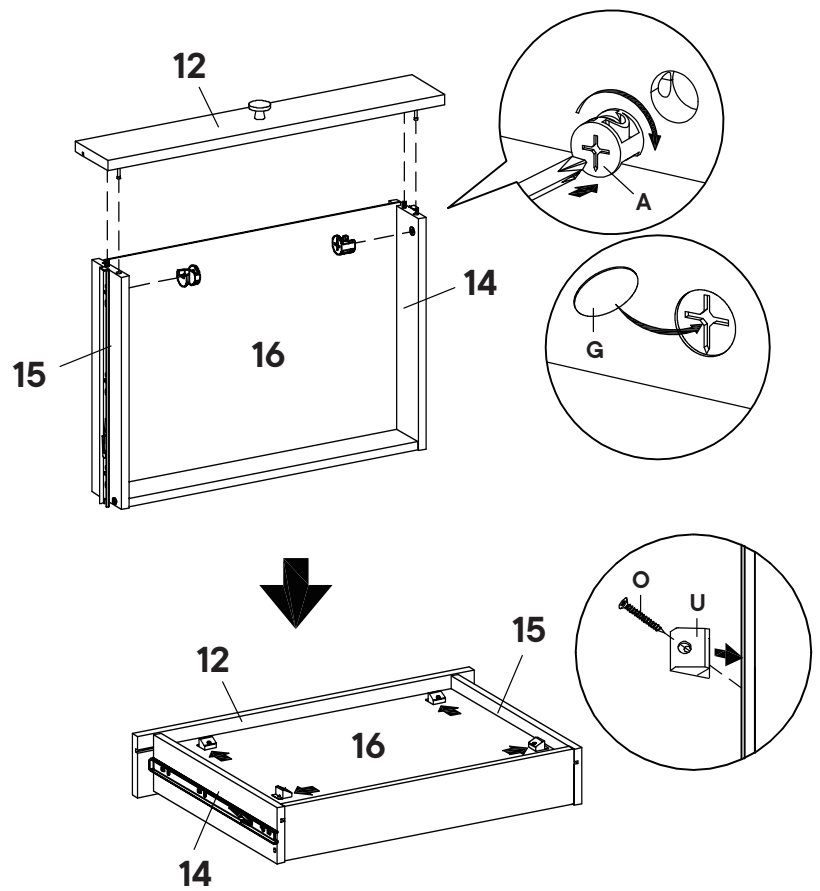
Step 15

HARDWARE

- A** Cam Lock Ø12 mm x2
- G** Cam Sticker Ø20 mm (Grey) x2
- O** Screw M4 x 19 mm x4
- U** Backply Stopper x4

COMPONENTS

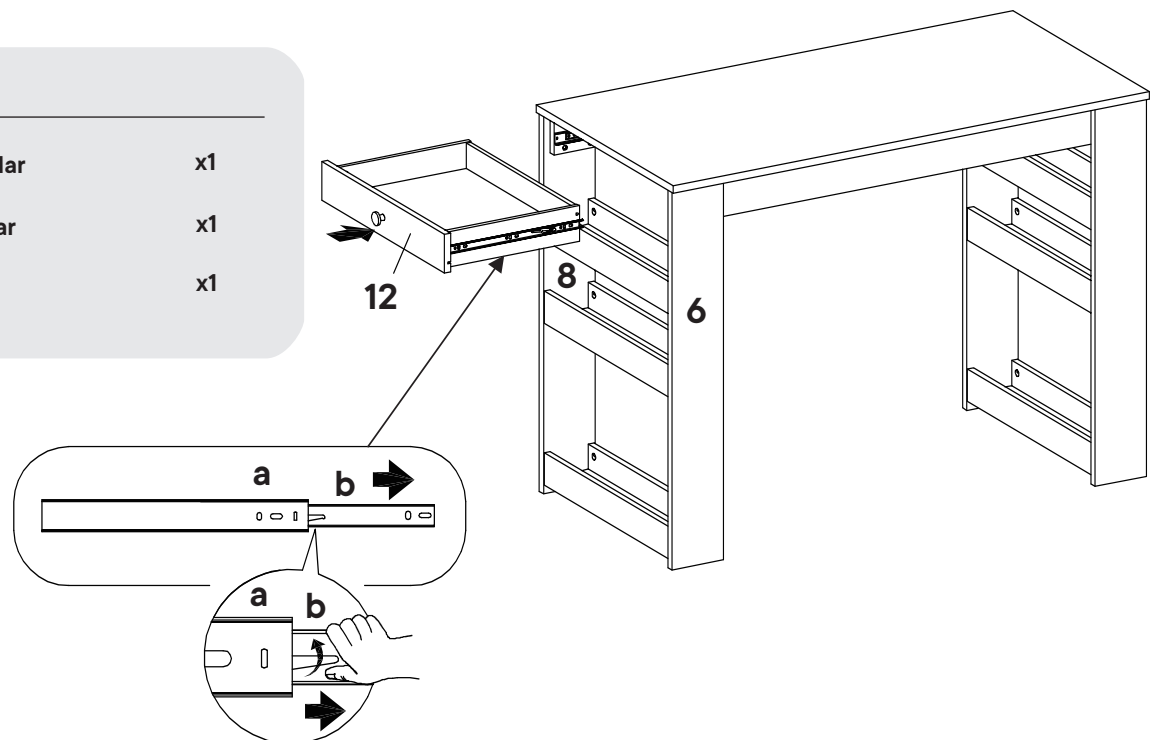
- 12** Front Drawer x1
- 14** Left Drawer x1
- 15** Right Drawer x1
- 16** Bottom Drawer x1



Step 16

COMPONENTS

- 6** Front Left Pillar x1
- 8** Rear Left Pillar x1
- 12** Front Drawer x1



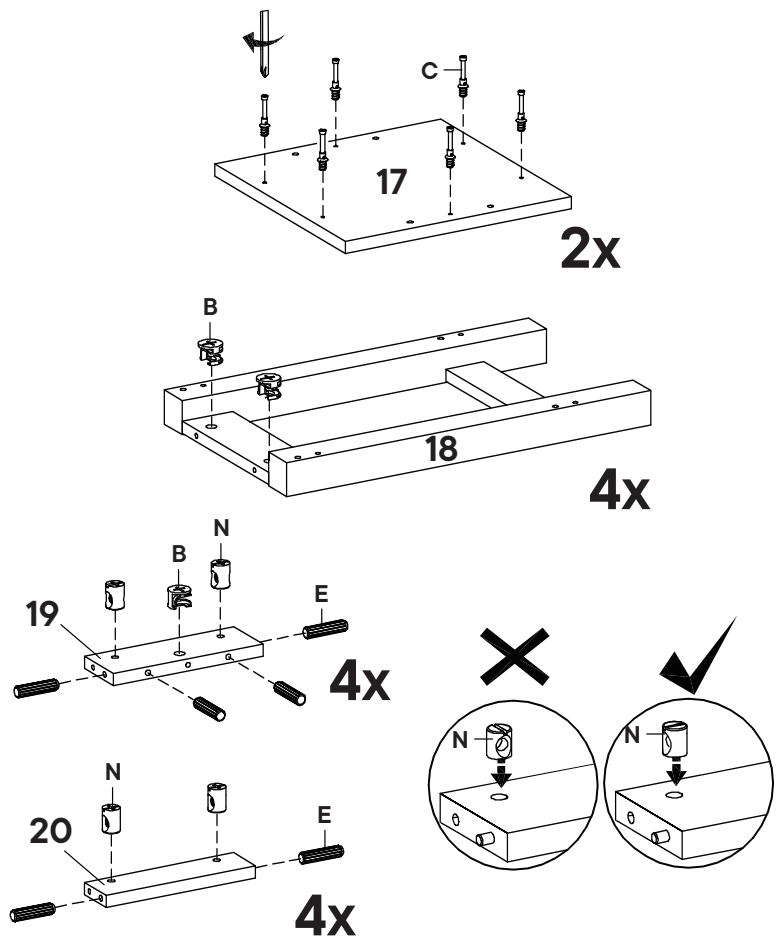
Step 17

HARDWARE

- B** Cam Lock Ø15 mm x12
- C** Cam Bolt Ø7.5 x 32 mm x12
- E** Plastic Dowel M8 x 32 mm x24
- N** Barrel Nut x16

COMPONENTS

- 17** Stools - Top Board x2
- 18** Stools - Leg x4
- 19** Stools - Top Support x4
- 20** Stools - Bottom Support x4



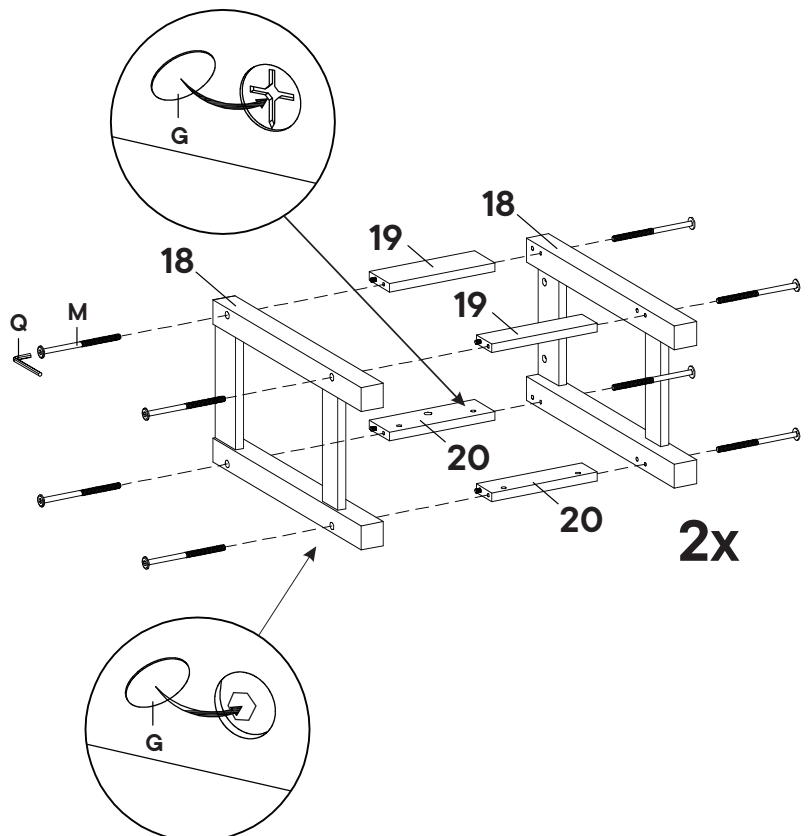
Step 18

HARDWARE

- G** Cam Sticker Ø20 mm (Grey) x32
- M** Screw M6 x 100 mm x16
- Q** Allen key x1

COMPONENTS

- 18** Stools - Leg x4
- 19** Stools - Top Support x4
- 20** Stools - Bottom Support x4



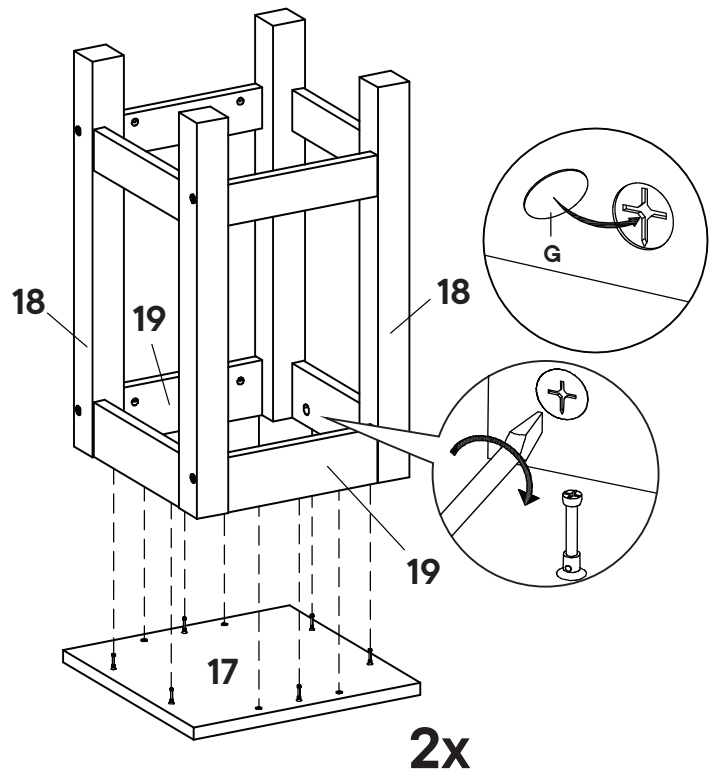
Step 19

HARDWARE

- G** Cam Sticker Ø20 mm (Grey) x12

COMPONENTS

- 17** Stools - Top Board x2
- 18** Stools - Leg x4
- 19** Stools - Top Support x4



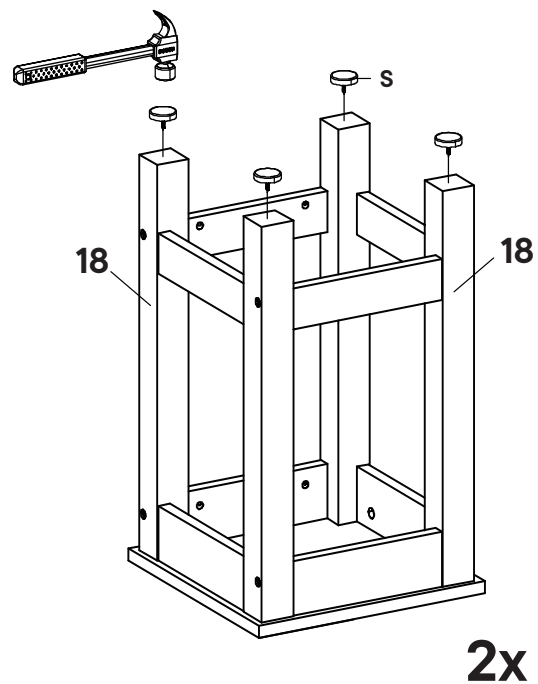
Step 20

HARDWARE

- S** Nail Leg x8

COMPONENTS

- 18** Stools - Leg x4



Great job!

Kitchen Island and Stool assembly is complete.

♥ CARING FOR YOUR ITEM

Indoor use only.

Not contract grade.

Clean using a non-abrasive cloth and a mild cleaner.

Never use harsh chemicals, as they could damage the finish or integrity of the item.

CONNECT WITH US!

Tag us [@modway_furniture](#) and [#modway](#) for a chance to be featured.

