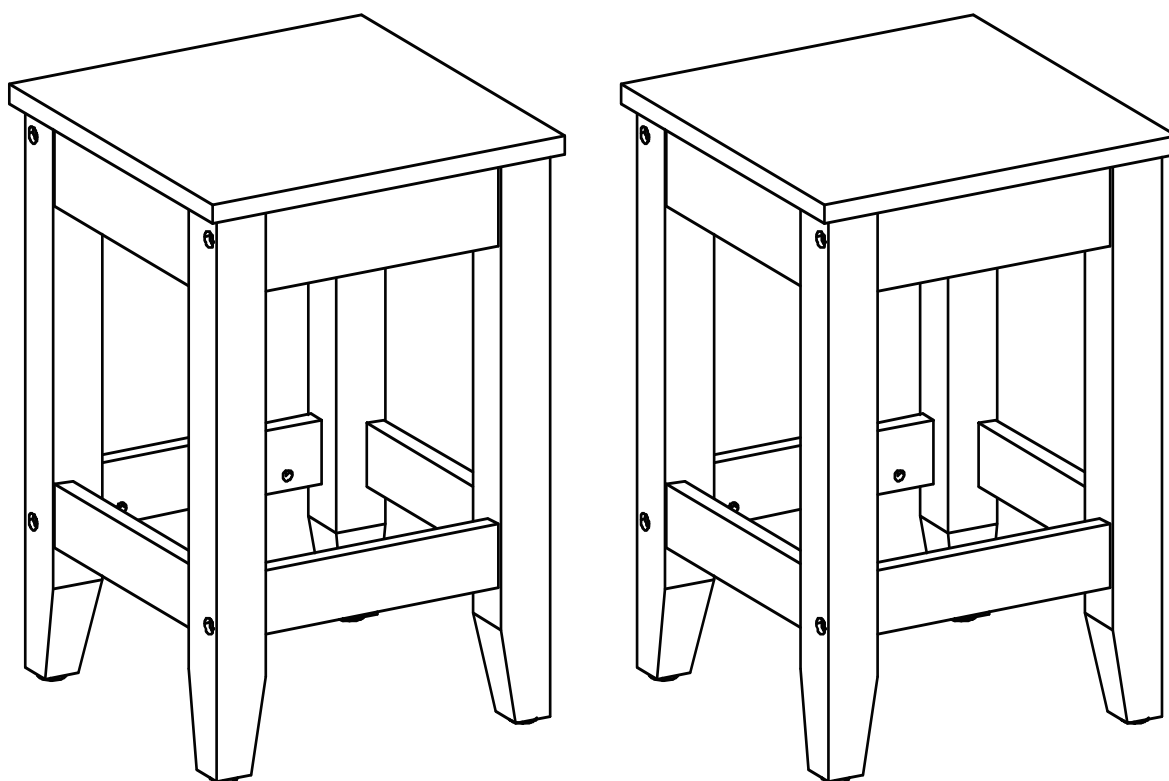


ASSEMBLY INSTRUCTIONS

EEI-6729

V1.10.10.23



Questions? Contact us!

609.256.9000 • cs@modway.com
www.modway.com

***modway**

Let's get started!

*modway



Read through all of the instructions before starting



Care instructions are listed in the last step of this manual

Only use hand tools to assemble this item. Do not use power tools. Do not tighten bolts or screws completely until all hardware is lined up and inserted into the holes.



Approx. 45 minutes assembly time



Make sure you have all parts and components before discarding any packing materials

Do not over-tighten screws and bolts to avoid stripping the hardware or cracking the item.

Assemble your item on a flat, carpeted area, with plenty of space to work. This will prevent damage and scratches to your floors or the item while you're assembling the product.

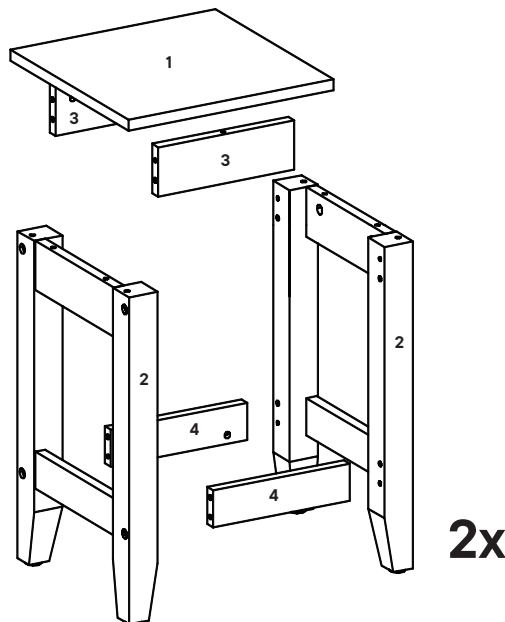


2 people recommended for assembly

Keep all components and packaging out of reach of children or animals to avoid risk of choking or suffocation.

Furniture components:

1	Top Board	x2
2	Side Leg	x4
3	Top Support	x4
4	Bottom Support	x4



Provided hardware:

A		Cam Lock Ø15 mm	x12
B		Cam Bolt Ø7.5 x 32 mm	x12
C		Cam Shock Ø12 mm	x8
D		Plastic Dowel M8 x 32 mm x24	
E		Screw M6 x 80 mm	x16

F		Barrel Nut	x16
G		Allen Key	x1
H		Cam Shock Ø17 mm	x16

What you need:

Phillips Head Screwdriver

Wait!

Missing parts or hardware? Need assistance?

Contact us before returning your item. We're here to help!

609.256.9000 • cs@modway.com

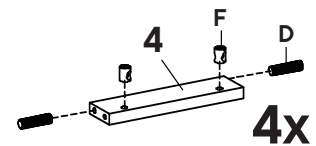
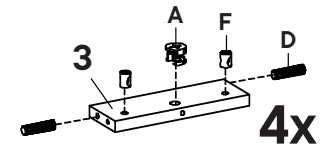
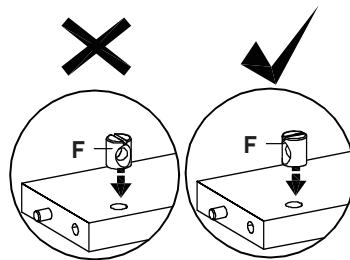
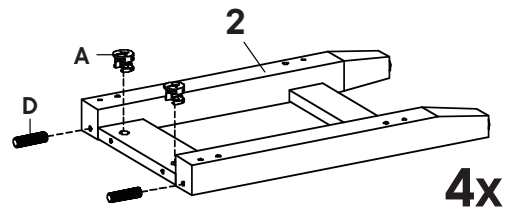
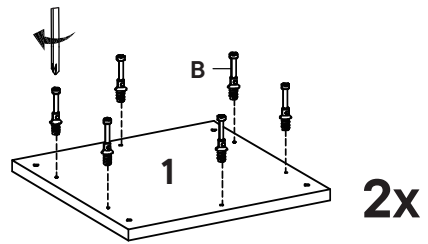
Step 1

HARDWARE

A	Cam Lock Ø15 mm	x12
B	Cam Bolt Ø7.5 x 32 mm	x12
D	Plastic Dowel M8 x 32 mm	x24
F	Barrel Nut	x16

COMPONENTS

1	Top Board	x2
2	Side Leg	x4
3	Top Support	x4
4	Bottom Support	x4



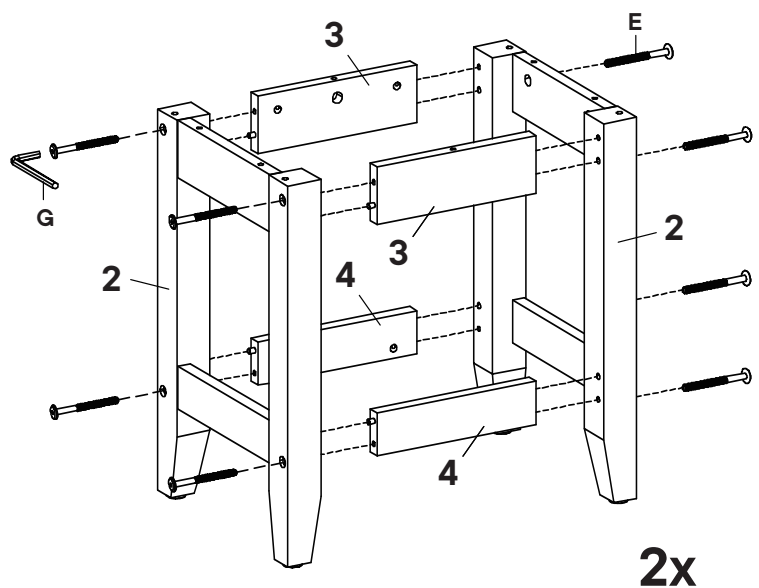
Step 2

HARDWARE

E	Screw M6 x 80 mm	x16
G	Allen Key	x1

COMPONENTS

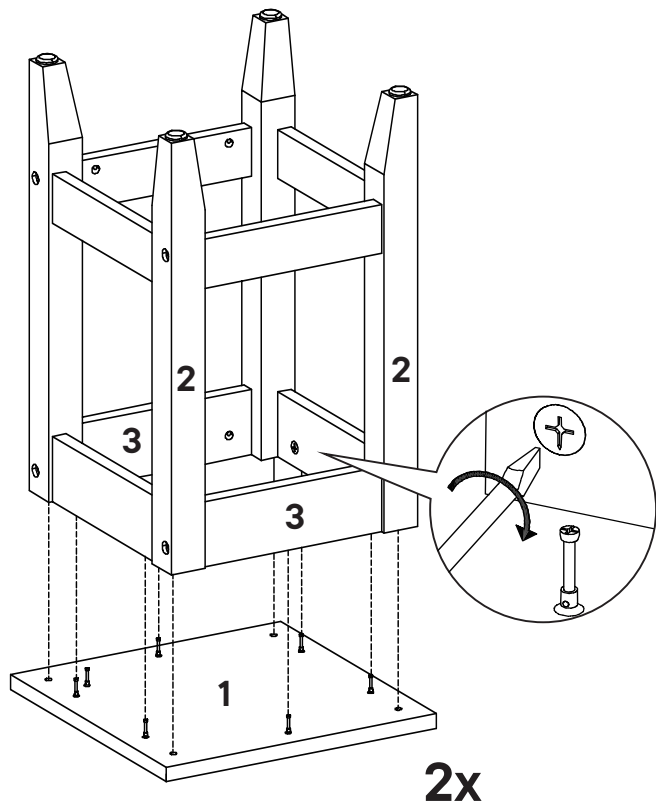
2	Side Leg	x4
3	Top Support	x4
4	Bottom Support	x4



Step 3

COMPONENTS

- ① Top board x2
- ② Side Leg x4
- ③ Top Support x4



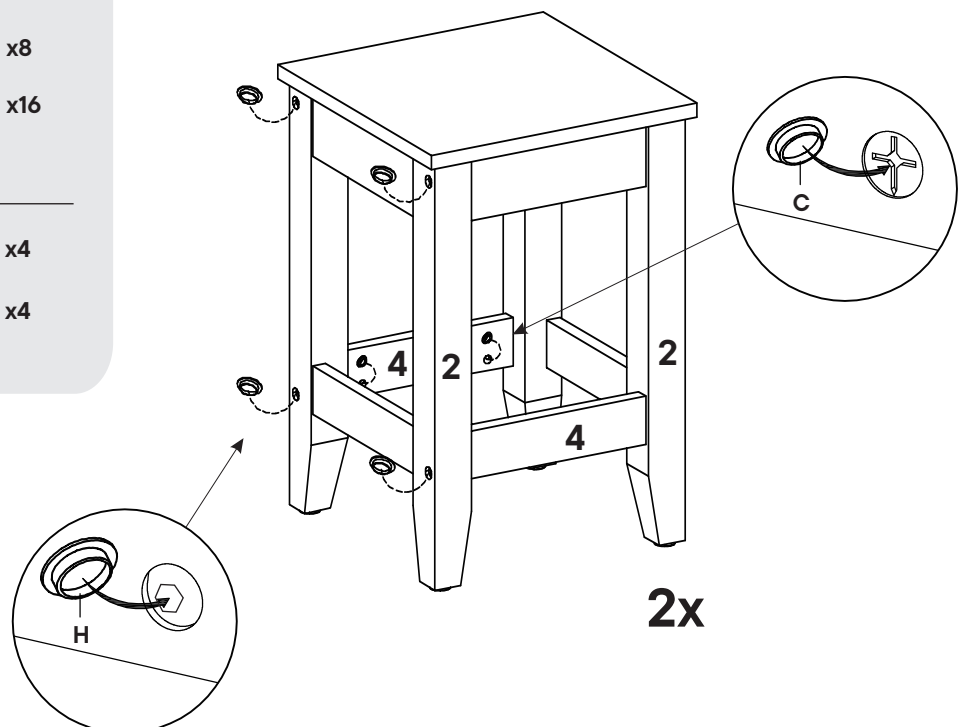
Step 4

HARDWARE

- Ⓒ Cam Shock Ø12 mm x8
- Ⓗ Cam Shock Ø17 mm x16

COMPONENTS

- ② Side Leg x4
- ④ Bottom Support x4



Great job!

Barstool assembly is complete.

♥ CARING FOR YOUR ITEM

Indoor use only.

Not contract grade.

Clean using a non-abrasive cloth and a mild cleaner.

Never use harsh chemicals, as they could damage the finish or integrity of the item.

CONNECT WITH US!   

Tag us @modway_furniture and #modway for a chance to be featured.

