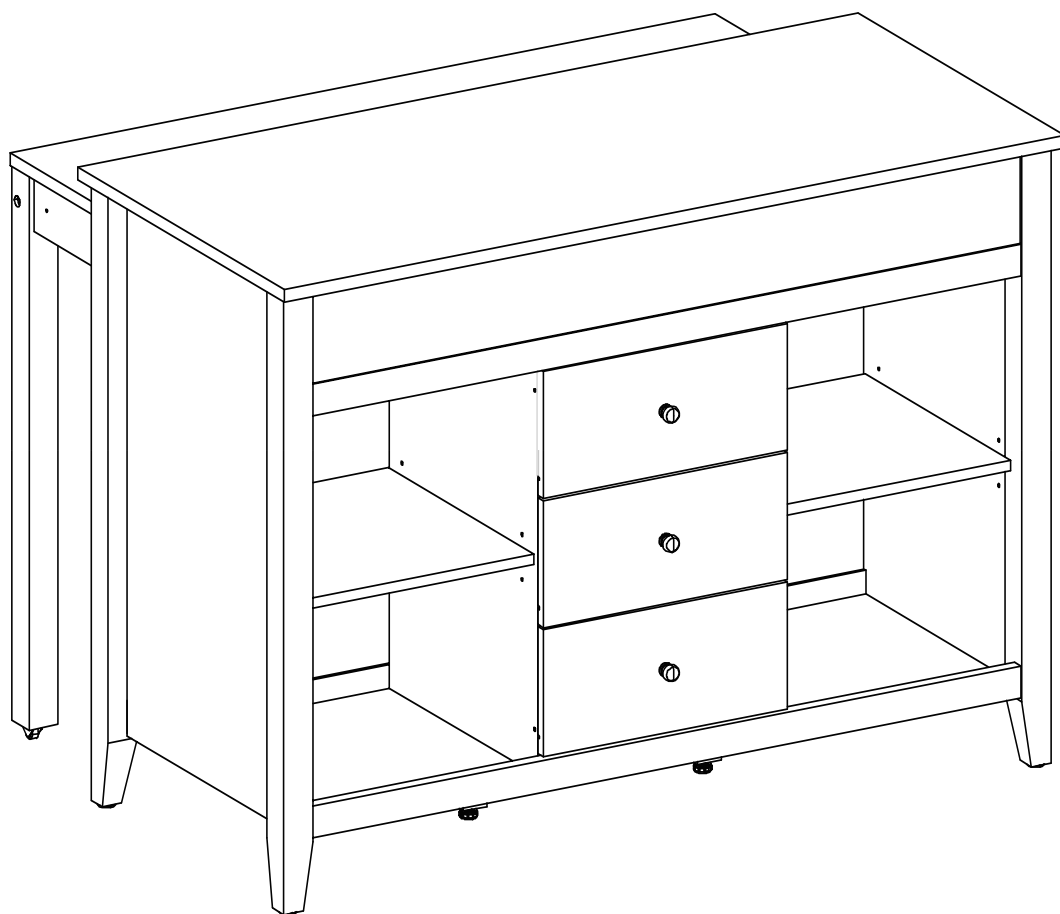


# ASSEMBLY INSTRUCTIONS

# EEI-6728

V1.10.10.23



**Questions? Contact us!**

609.256.9000 • [cs@modway.com](mailto:cs@modway.com)  
[www.modway.com](http://www.modway.com)

**\*modway**

# Let's get started!

\*modway



Read through all of the instructions before starting



Care instructions are listed in the last step of this manual



Approx. 60 minutes assembly time



Make sure you have all parts and components before discarding any packing materials



2 people recommended for assembly

Only use hand tools to assemble this item. Do not use power tools. Do not tighten bolts or screws completely until all hardware is lined up and inserted into the holes.

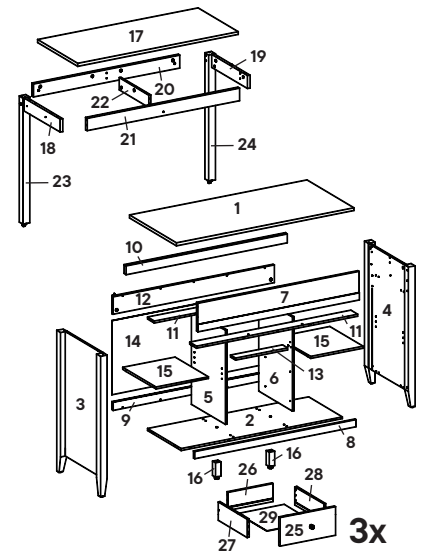
Do not over-tighten screws and bolts to avoid stripping the hardware or cracking the item.

Assemble your item on a flat, carpeted area, with plenty of space to work. This will prevent damage and scratches to your floors or the item while you're assembling the product.

Keep all components and packaging out of reach of children or animals to avoid risk of choking or suffocation.

## Furniture components:

1	Top Board	x1	11	Main Drawer Support	x2	21	Front Main Support	x1
2	Bottom Board	x1	12	Rear Board	x1	22	Middle Main Support	x1
3	Left Board	x1	13	Drawer Support	x1	23	Left Main Leg	x1
4	Right Board	x1	14	Backboard	x1	24	Right Main Leg	x1
5	Divider Left Board	x1	15	Adjustable Shelf	x2	25	Front Drawer	x3
6	Divider Right Board	x1	16	Leg	x2	26	Rear Drawer	x3
7	Front Board	x1	17	Main Board	x1	27	Left Drawer	x3
8	Bottom Front Support	x1	18	Left Main Support	x1	28	Right Drawer	x3
9	Bottom Rear Support	x1	19	Right Main Support	x1	29	Bottom Drawer	x3
10	Top Support	x1	20	Rear Main Support	x1			



## Provided hardware:

A		Cam Lock Ø15 mm	x52	L		Shelf Pin M7 x 16.5 mm	x8	W		Stopper	x2
B		Cam Bolt Ø7.5 x 32 mm	x58	M		Drawer Rail	x1	X		Drawer Rail	x3
C		Cam Cover Ø17 mm	x33	N		Allen Key	x1	Y		Screw 6 x 13 mm	x12
D		Plastic Dowel M8 x 32 mm	x60	O		Handle	x3	Z		Plastic Dowel M6 x 30 mm	x24
E		Screw M4 x 13 mm	x8	P		Screw M6 x 80 mm	x4				
F		Screw M10 x 33.5 mm	x17	Q		Barrel Nut	x4				
G		Screw M6 x 8 mm	x20	R		Cam Lock Ø12 mm	x6				
H		Screw M4 x 25 mm	x3	S		Door Latch	x2				
I		Cam Shock Ø17 mm	x17	T		Backply Stopper	x24				
J		Cam Cover Ø15 mm	x6	U		Screw M6 x 15 mm	x4				
K		Screw M4 x 19 mm	x24	V		Roller	x2				

## What you need:

Phillips Head Screwdriver

Wait!

Missing parts or hardware? Need assistance?  
Contact us before returning your item. We're here to help!  
609.256.9000 • cs@modway.com

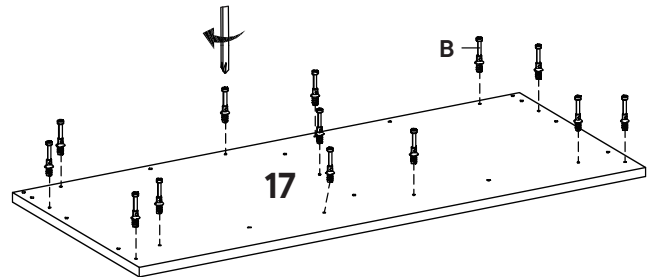
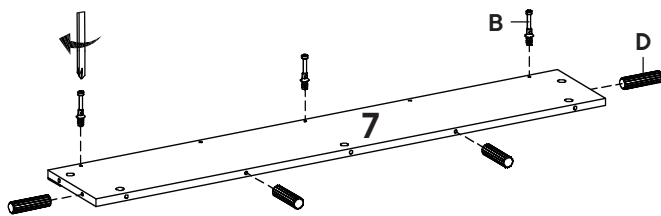
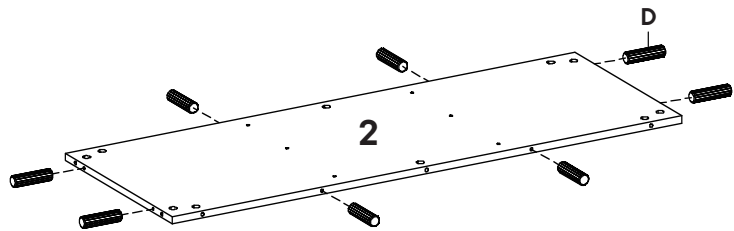
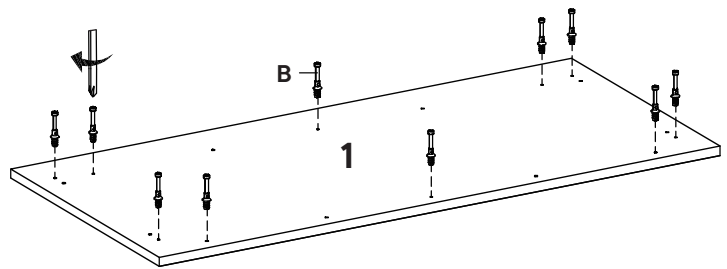
# Step 1

## HARDWARE

- B** Cam Bolt Ø7.5 x 32 mm x26
- D** Plastic Dowel M8 x 32 mm x12

## COMPONENTS

- 1** Top Board x1
- 2** Bottom Board x1
- 7** Front Board x1
- 17** Main Board x1



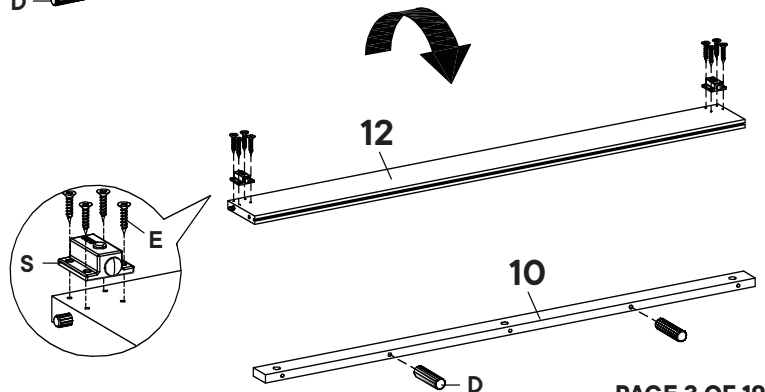
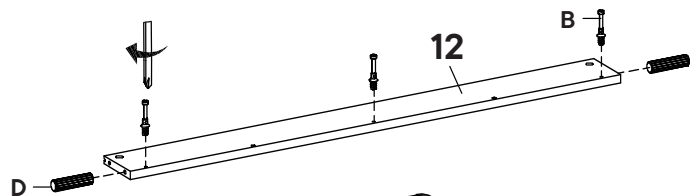
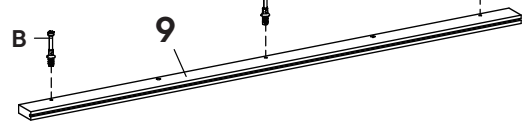
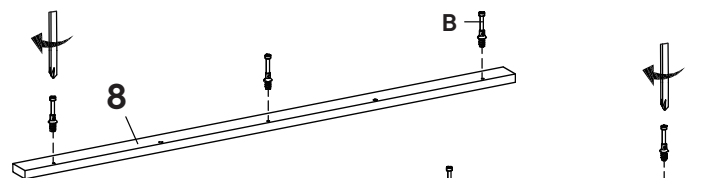
# Step 2

## HARDWARE

- B** Cam Bolt Ø7.5 x 32 mm x9
- D** Plastic Dowel M8 x 32 mm x4
- E** Screw M4 x 13 mm x8
- S** Door Latch x2

## COMPONENTS

- 8** Bottom Front Support x1
- 9** Bottom Rear Support x1
- 10** Top Support x1
- 12** Rear Board x1



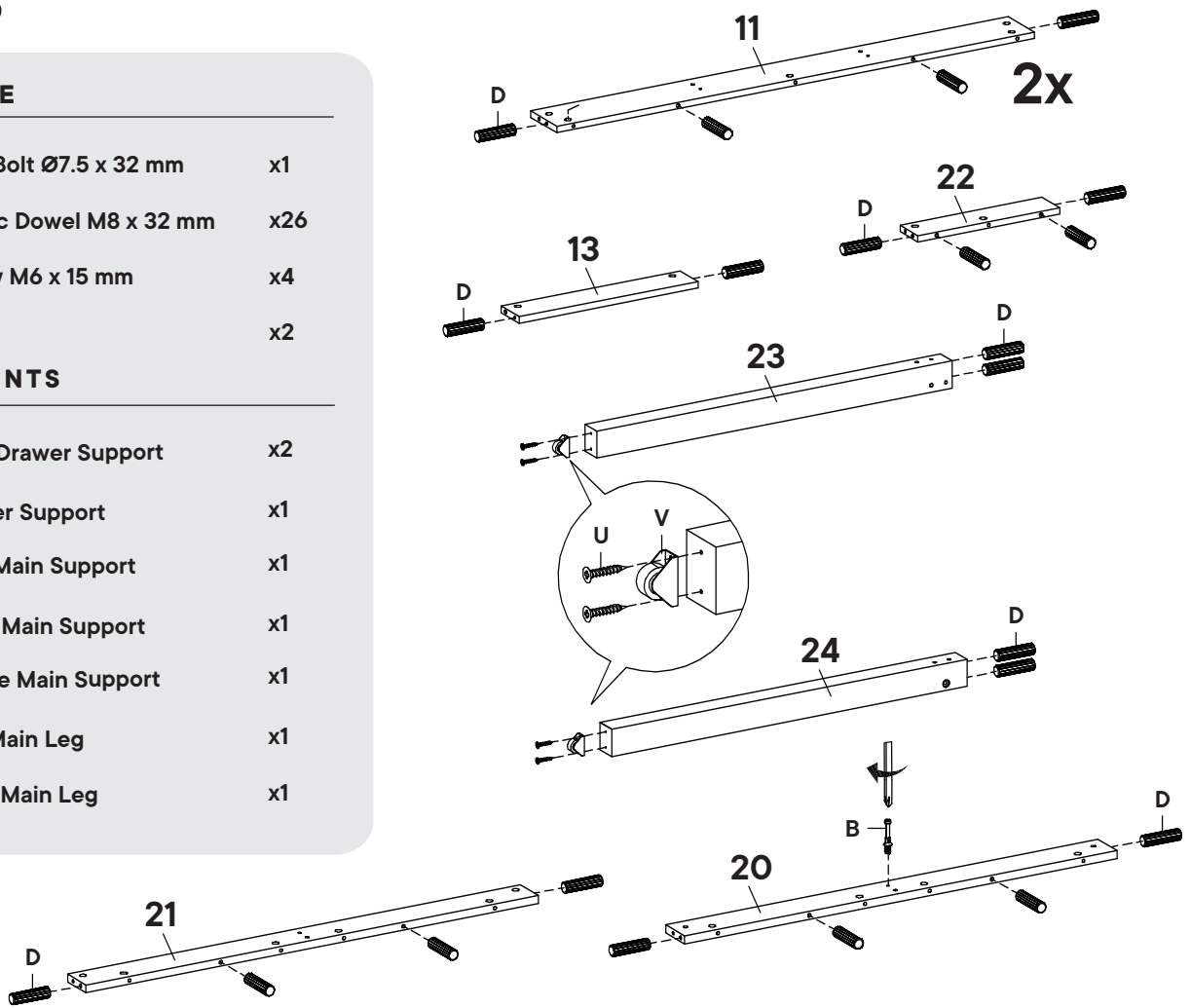
# Step 3

## HARDWARE

<b>B</b>	Cam Bolt Ø7.5 x 32 mm	x1
<b>D</b>	Plastic Dowel M8 x 32 mm	x26
<b>U</b>	Screw M6 x 15 mm	x4
<b>V</b>	Roller	x2

## COMPONENTS

<b>11</b>	Main Drawer Support	x2
<b>13</b>	Drawer Support	x1
<b>20</b>	Rear Main Support	x1
<b>21</b>	Front Main Support	x1
<b>22</b>	Middle Main Support	x1
<b>23</b>	Left Main Leg	x1
<b>24</b>	Right Main Leg	x1



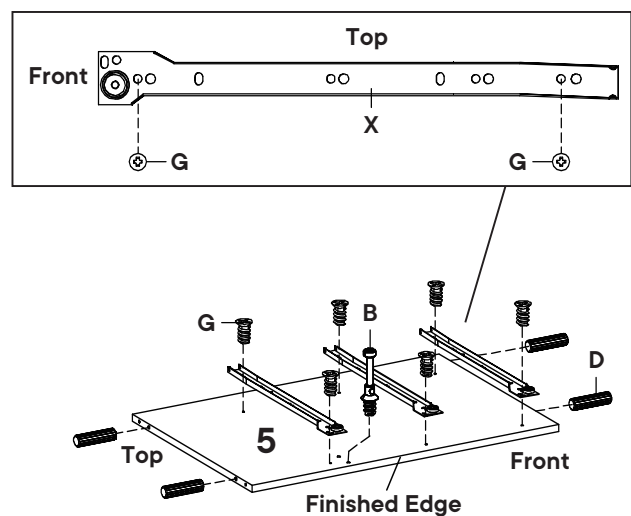
# Step 4

## HARDWARE

<b>B</b>	Cam Bolt Ø7.5 x 32 mm	x1
<b>D</b>	Plastic Dowel M8 x 32 mm	x4
<b>G</b>	Screw M6 x 8 mm	x6
<b>X</b>	Drawer Rail	x3

## COMPONENTS

<b>5</b>	Divider Left Board	x1
----------	--------------------	----



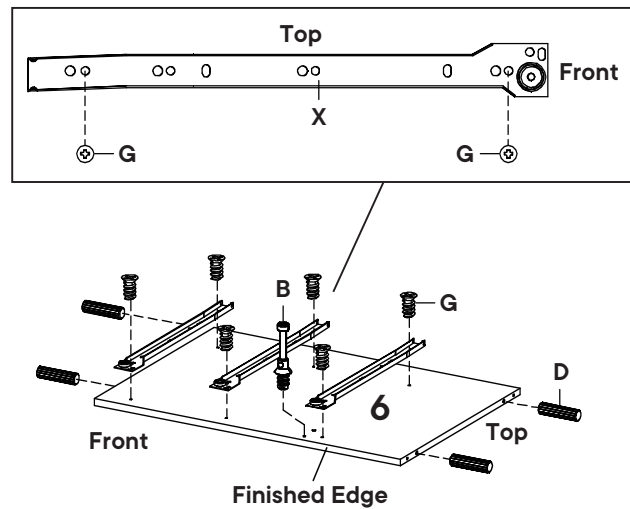
# Step 5

## HARDWARE

- B** Cam Bolt Ø7.5 x 32 mm x1
- D** Plastic Dowel M8 x 32 mm x4
- G** Screw M6 x 8 mm x6
- X** Drawer Rail x3

## COMPONENTS

- 6** Divider Right Board x1



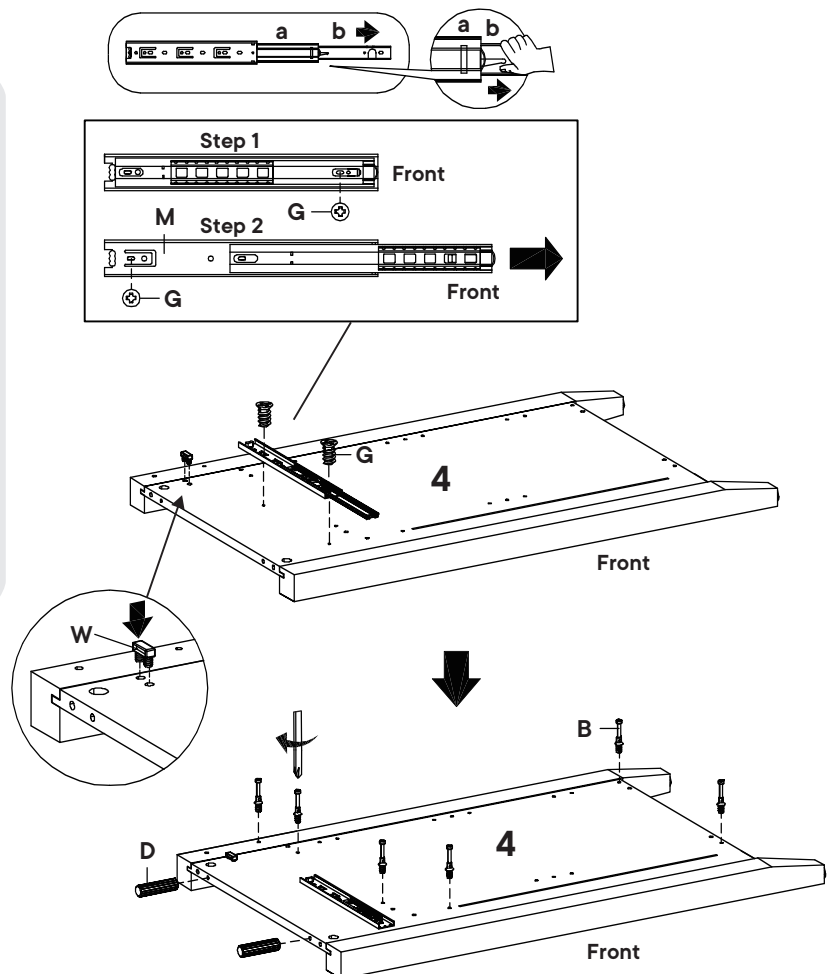
# Step 6

## HARDWARE

- B** Cam Bolt Ø7.5 x 32 mm x6
- D** Plastic Dowel M8 x 32 mm x2
- G** Screw M6 x 8 mm x2
- M** Drawer Rail x1
- W** Stopper x1

## COMPONENTS

- 4** Right Board x1



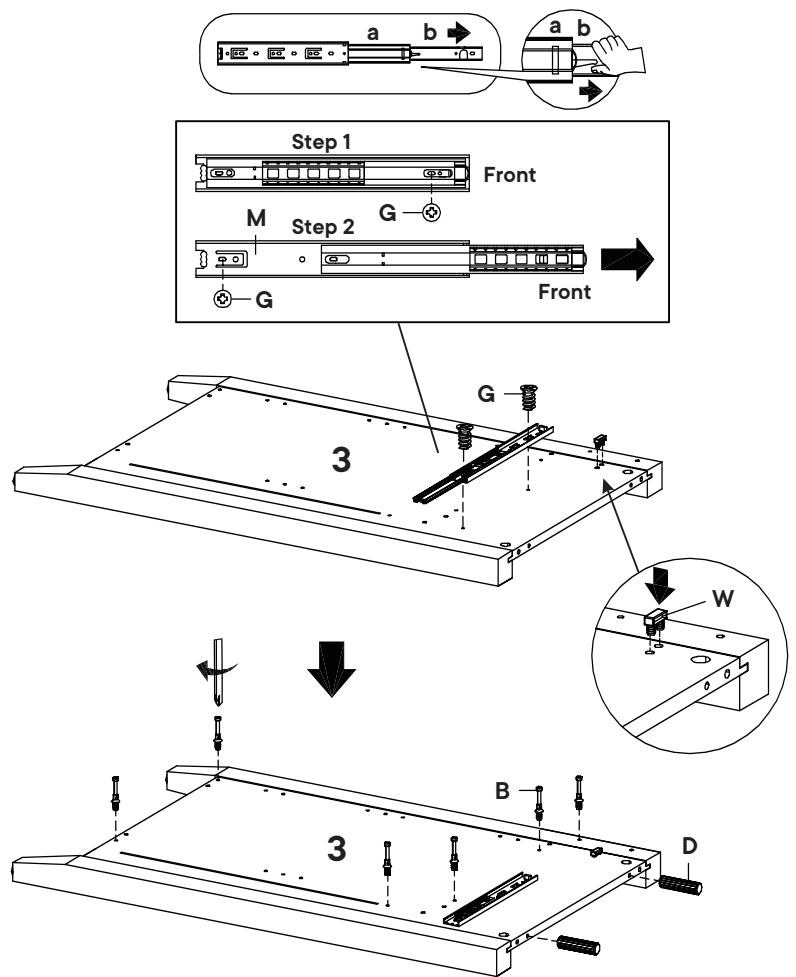
# Step 7

## HARDWARE

- B** Cam Bolt Ø7.5 x 32 mm x6
- D** Plastic Dowel M8 x 32 mm x2
- G** Screw M6 x 8 mm x2
- M** Drawer Rail x1
- W** Stopper x1

## COMPONENTS

- 3** Left Board x1



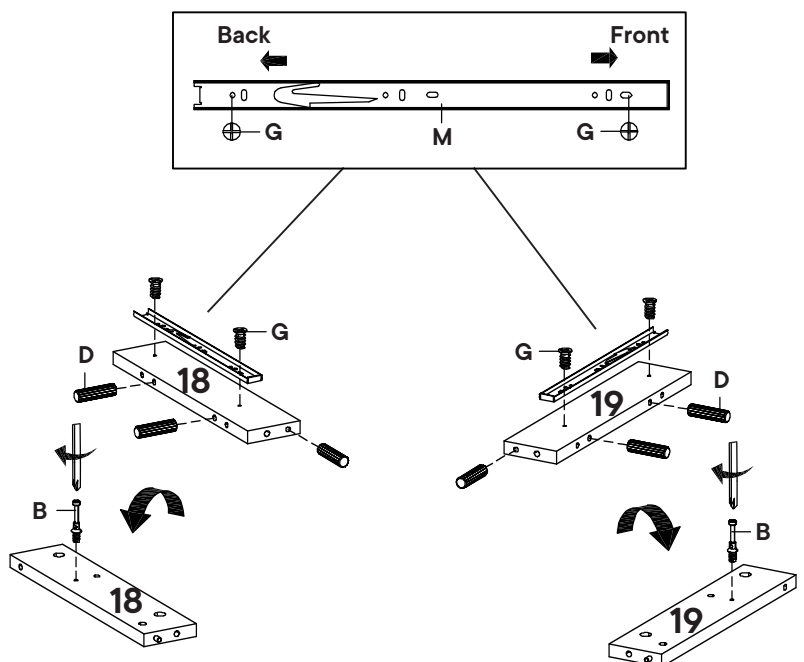
# Step 8

## HARDWARE

- B** Cam Bolt Ø7.5 x 32 mm x2
- D** Plastic Dowel M8 x 32 mm x6
- G** Screw M6 x 8 mm x4
- M** Drawer Rail x2

## COMPONENTS

- 18** Left Main Support x1
- 19** Right Main Support x1



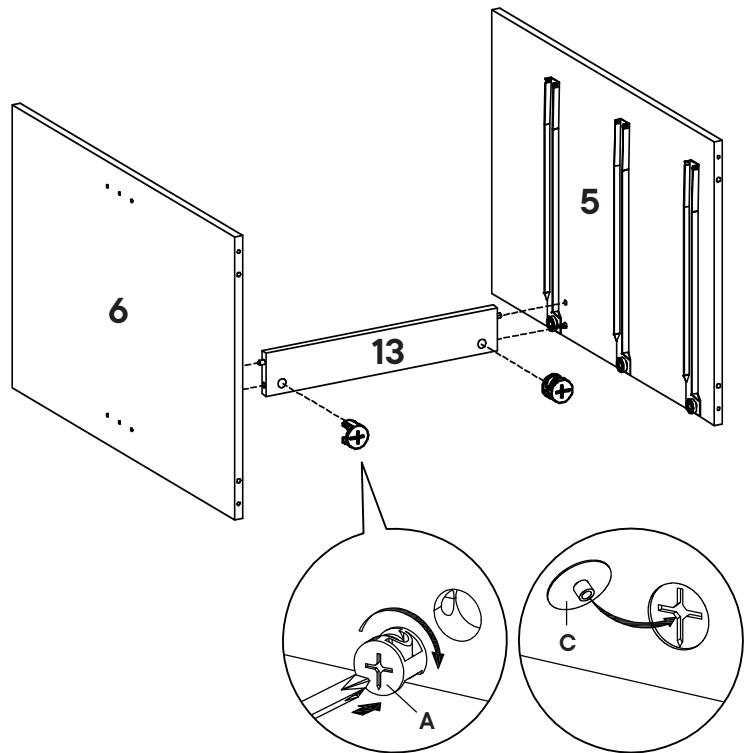
## Step 9

### HARDWARE

- A** Cam Lock Ø15 mm x2
- C** Cam Cover Ø17 mm x2

### COMPONENTS

- 5** Divider Left Board x1
- 6** Divider Right Board x1
- 13** Drawer Support x1



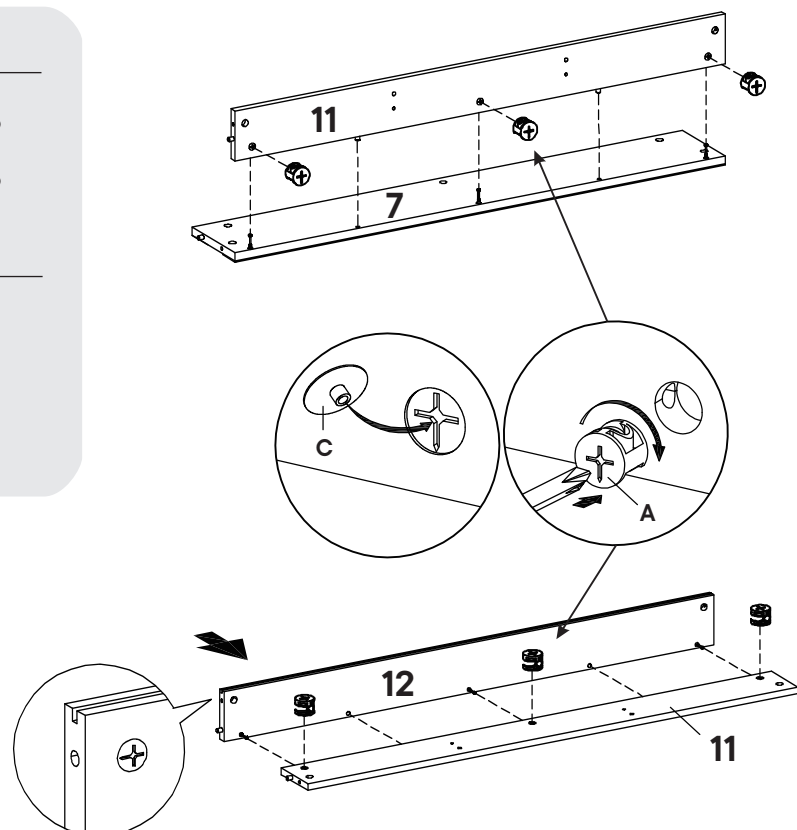
## Step 10

### HARDWARE

- A** Cam Lock Ø15 mm x6
- C** Cam Cover Ø17 mm x6

### COMPONENTS

- 7** Front Board x1
- 11** Main Drawer Support x2
- 12** Rear Board x1



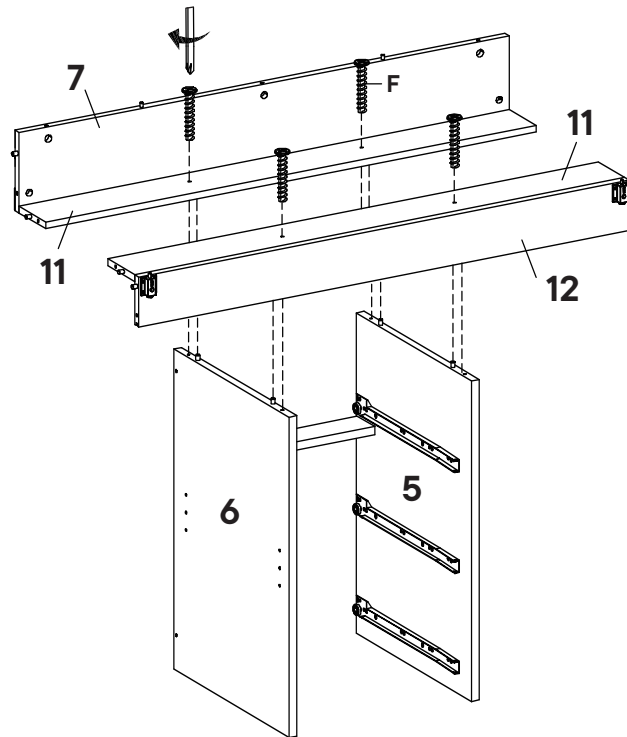
## Step 11

### HARDWARE

- F** Screw M10 x 33.5 mm x4

### COMPONENTS

- 5** Divider Left Board x1  
**6** Divider Right Board x1  
**11** Main Drawer Support x2



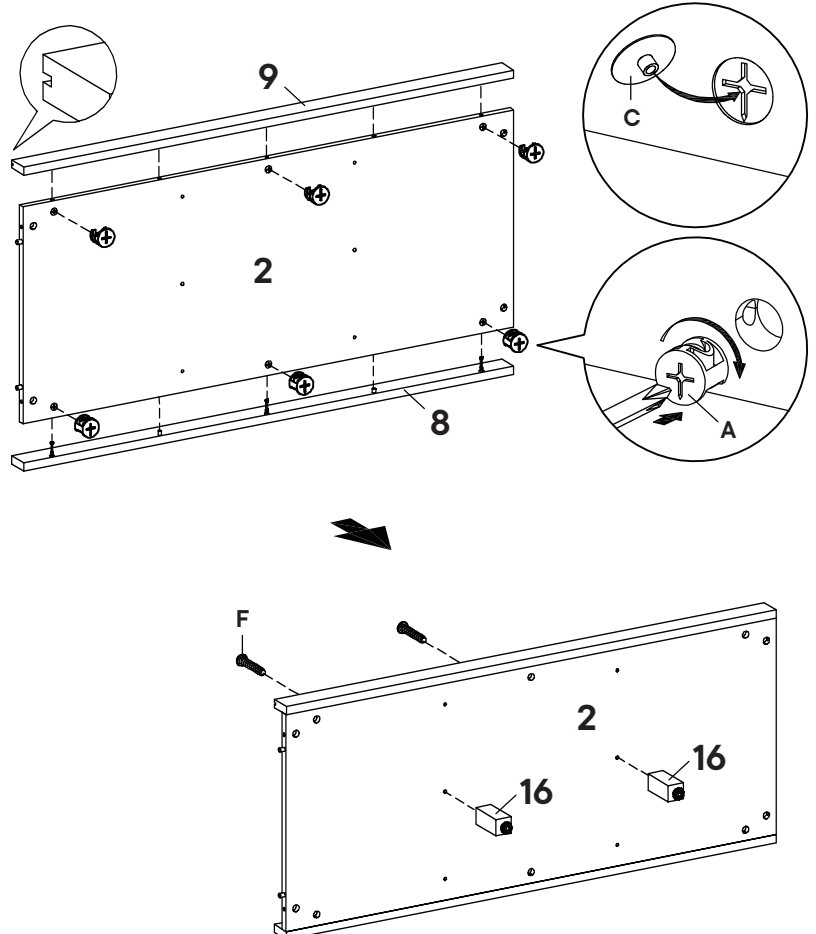
## Step 12

### HARDWARE

- A** Cam Lock  $\varnothing 15$  mm x6  
**C** Cam Cover  $\varnothing 17$  mm x6  
**F** Screw M10 x 33.5 mm x2

### COMPONENTS

- 2** Bottom Board x1  
**8** Bottom Front Support x1  
**9** Bottom Rear Support x1  
**16** Leg x2





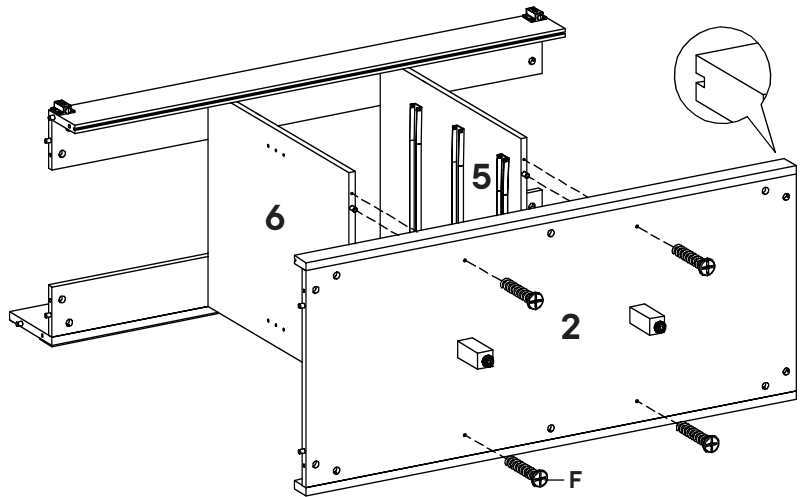
## Step 13

### HARDWARE

- F** Screw M10 x 33.5 mm x4

### COMPONENTS

- 2** Bottom Board x1  
**5** Divider Left Board x1  
**6** Divider Right Board x1



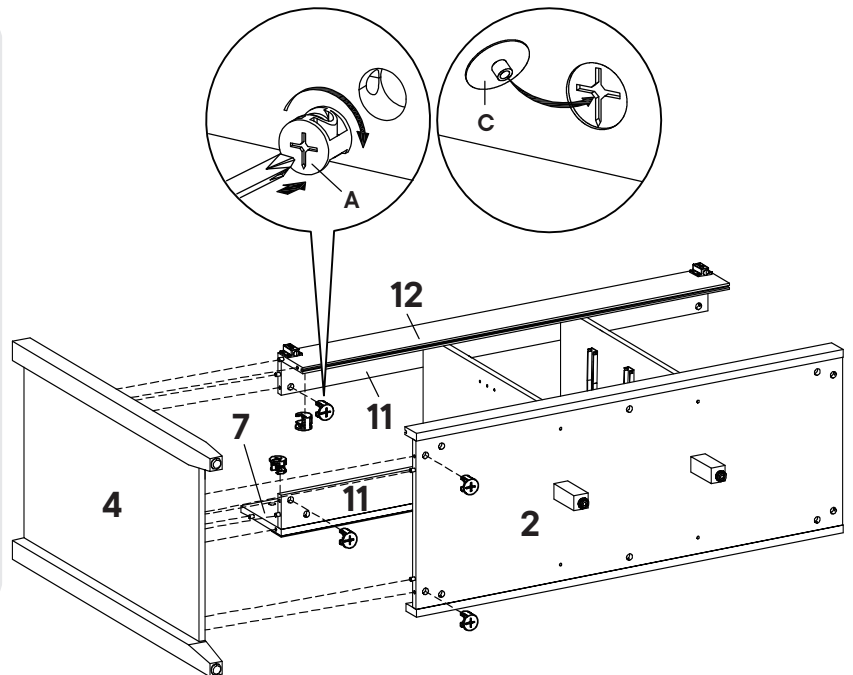
## Step 14

### HARDWARE

- A** Cam Lock  $\varnothing$ 15 mm x6  
**C** Cam Cover  $\varnothing$ 17 mm x6

### COMPONENTS

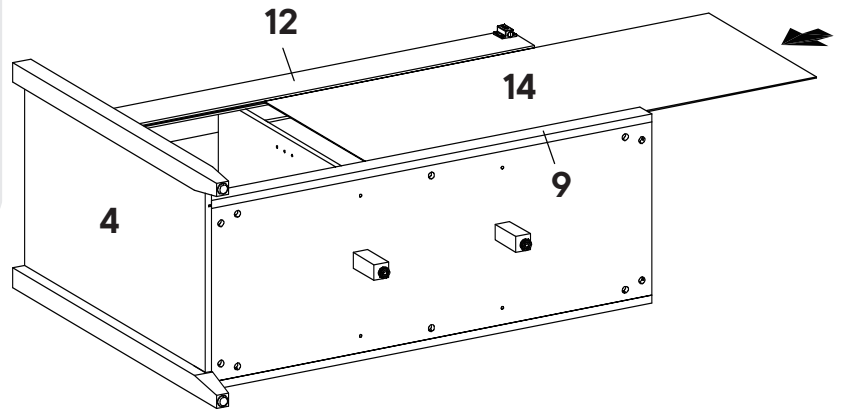
- 2** Bottom Board x1  
**4** Right Board x1  
**7** Front Board x1  
**11** Main Drawer Support x2  
**12** Rear Board x1



## Step 15

### COMPONENTS

4	Right Board	x1
9	Bottom Rear Support	x1
12	Rear Board	x1
14	Backboard	x1



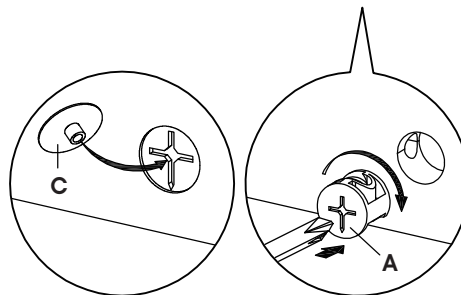
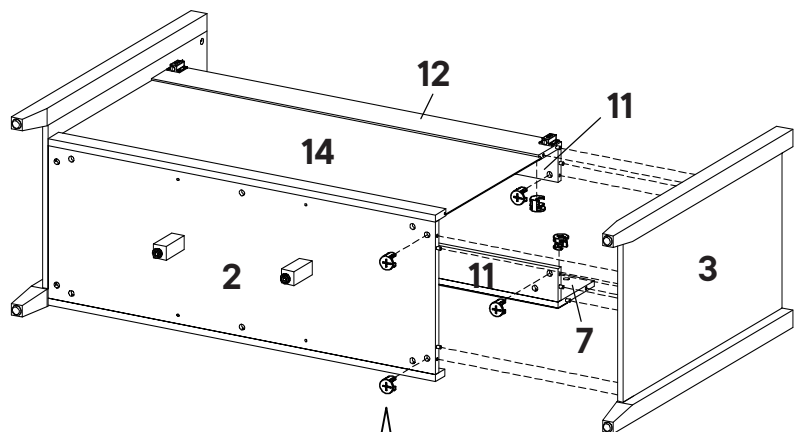
## Step 16

### HARDWARE

A	Cam Lock Ø15 mm	x6
C	Cam Cover Ø17 mm	x6

### COMPONENTS

2	Bottom Board	x1
3	Left Board	x1
7	Front Board	x1
11	Main Drawer Support	x2
12	Rear Board	x1
14	Backboard	x1



## Step 17

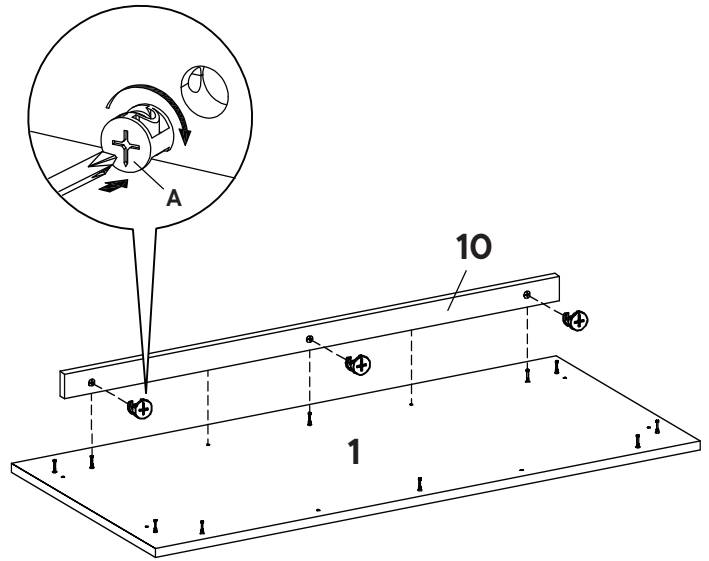
### HARDWARE

**A** Cam Lock  $\varnothing 15$  mm x3

### COMPONENTS

**1** Top Board x1

**10** Top Support x1



## Step 18

### HARDWARE

**A** Cam Lock  $\varnothing 15$  mm x7

**C** Cam Cover  $\varnothing 17$  mm x7

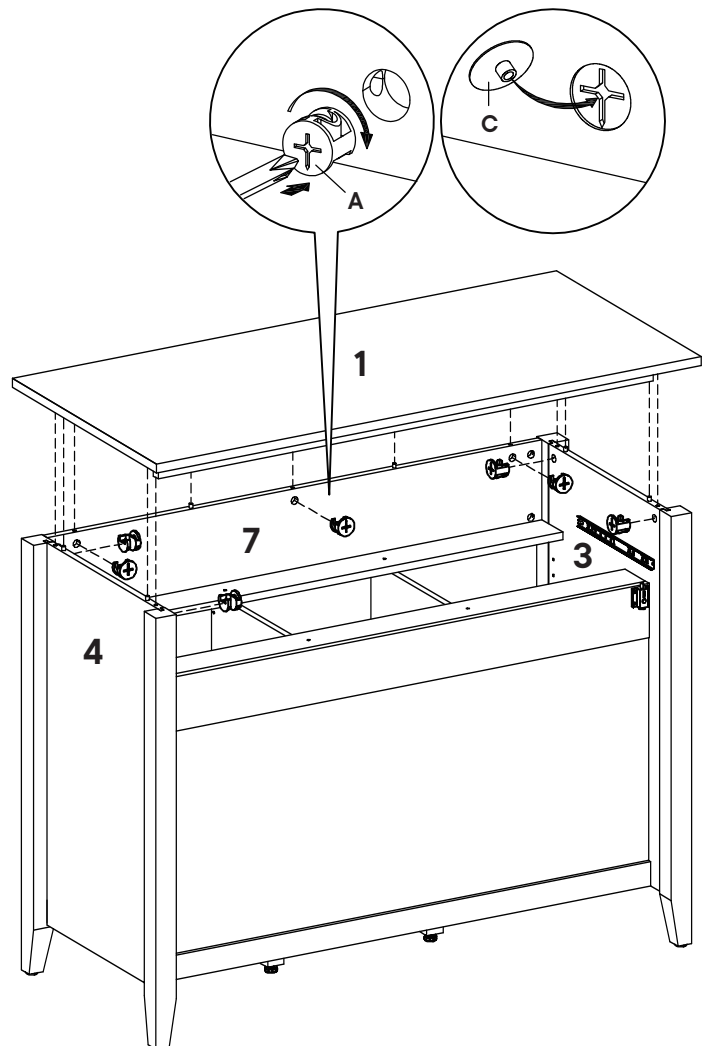
### COMPONENTS

**1** Top Board x1

**3** Left Board x1

**4** Right Board x1

**7** Front Board x1



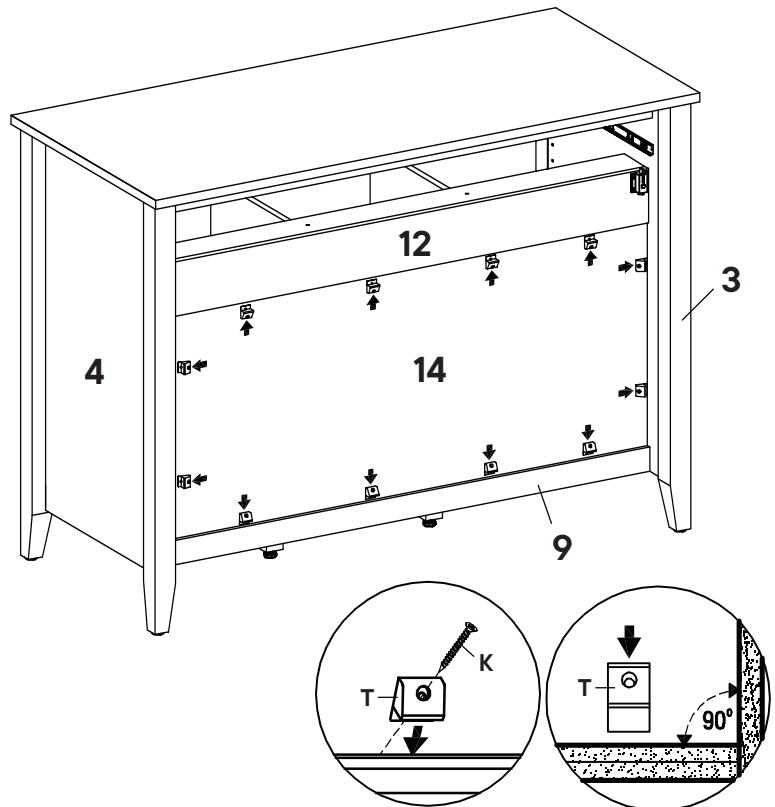
## Step 19

### HARDWARE

- K** Screw M4 x 19 mm x12
- T** Backply Stopper x12

### COMPONENTS

- 3** Left Board x1
- 4** Right Board x1
- 9** Bottom Rear Board x1
- 12** Rear Board x1



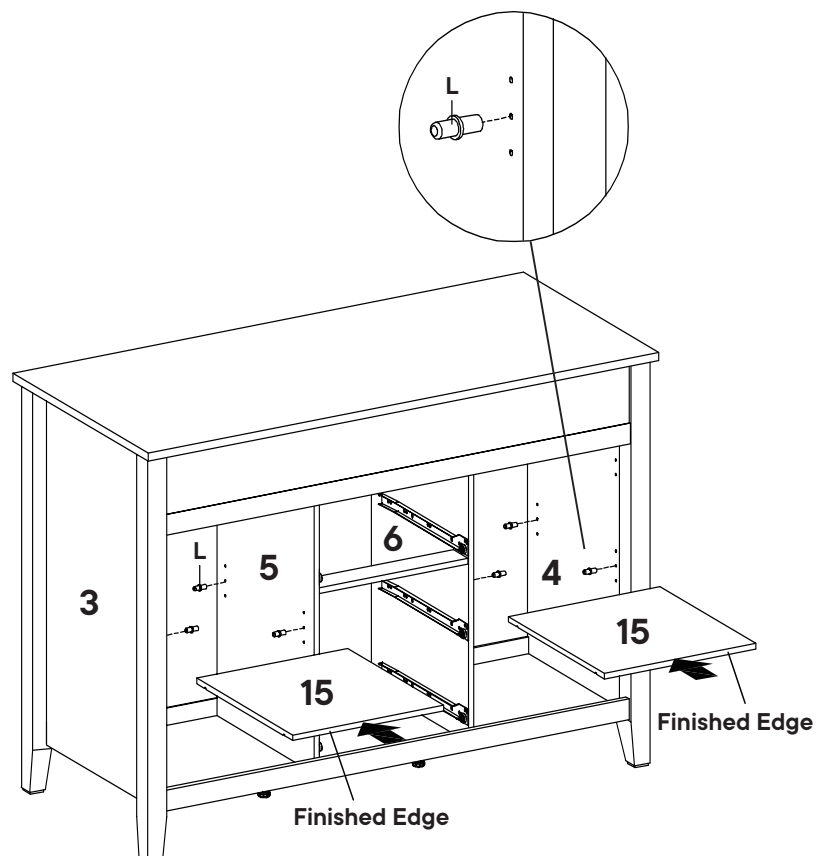
## Step 20

### HARDWARE

- L** Shelf Pin M7 x 16.5mm x8

### COMPONENTS

- 3** Left Board x1
- 4** Right Board x1
- 5** Divider Left Board x1
- 6** Divider Right Board x1
- 15** Adjustable Shelf x2



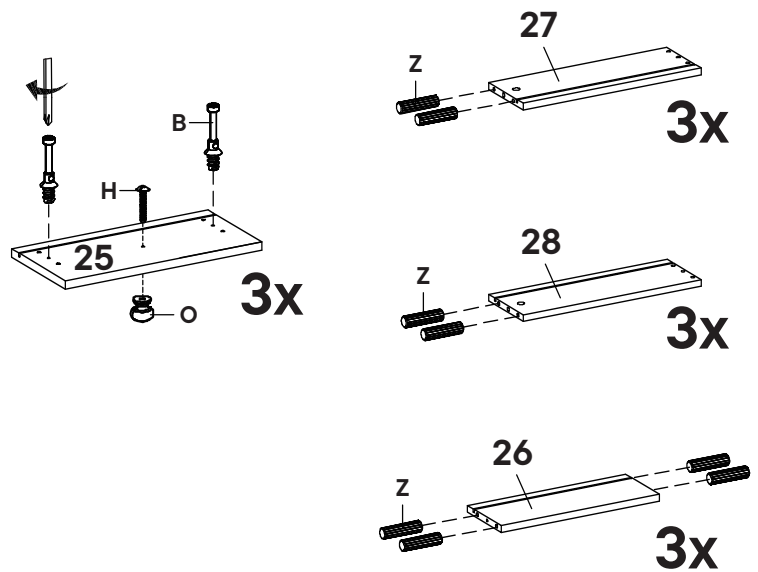
# Step 21

## HARDWARE

<b>B</b>	Cam Bolt Ø7.5 x 32 mm	x6
<b>H</b>	Screw M4 x 25 mm	x3
<b>O</b>	Handle	x3
<b>Z</b>	Plastic Dowel M6 x 30 mm	x24

## COMPONENTS

<b>25</b>	Front Drawer	x3
<b>26</b>	Rear Drawer	x3
<b>27</b>	Left Drawer	x3
<b>28</b>	Right Drawer	x3



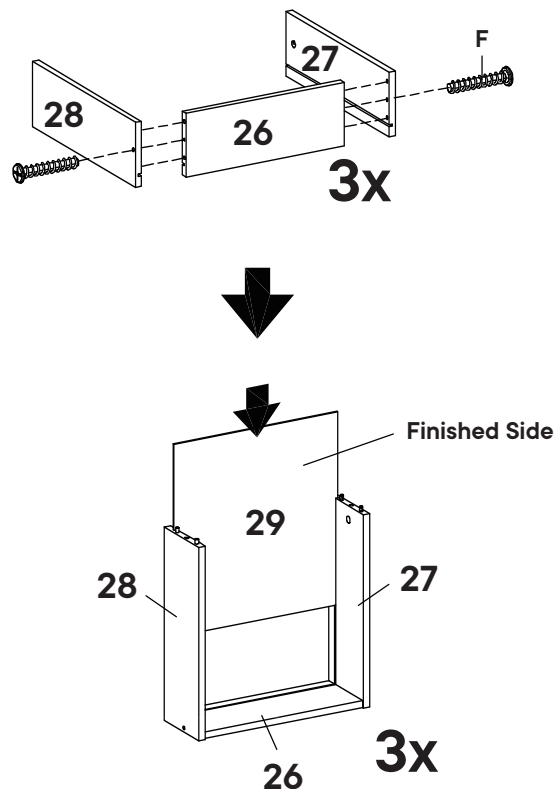
# Step 22

## HARDWARE

<b>F</b>	Screw M10 x 33.5 mm	x6
----------	---------------------	----

## COMPONENTS

<b>26</b>	Rear Drawer	x3
<b>27</b>	Left Drawer	x3
<b>28</b>	Right Drawer	x3
<b>29</b>	Bottom Drawer	x3



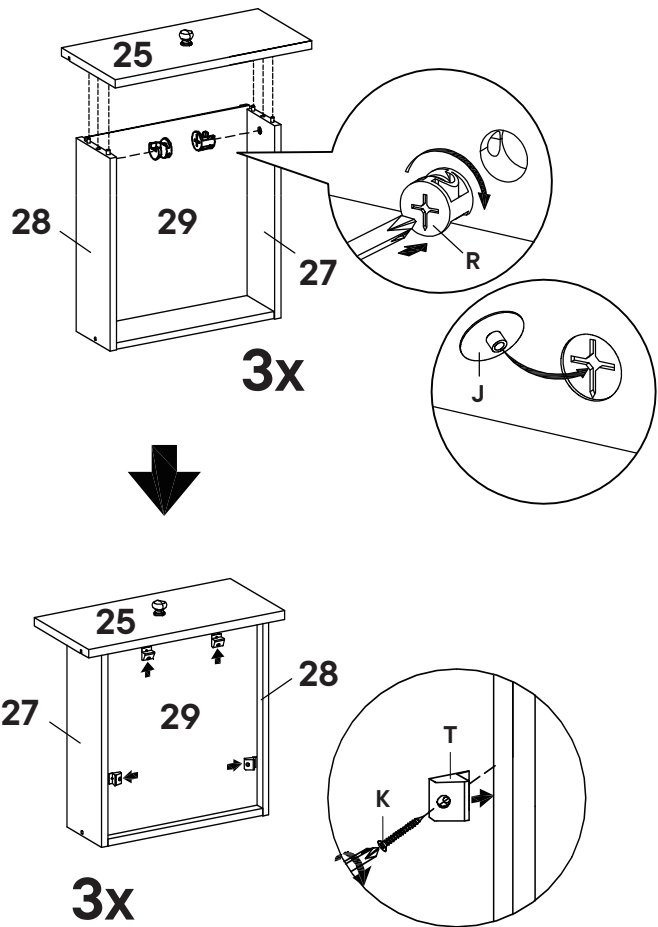
# Step 23

## HARDWARE

<b>J</b>	Cam Cover Ø15 mm	x6
<b>K</b>	Screw M4 x 19 mm	x12
<b>R</b>	Cam Lock Ø12 mm	x6
<b>T</b>	Backply Stopper	x12

## COMPONENTS

<b>25</b>	Front Drawer	x3
<b>27</b>	Left Drawer	x3
<b>28</b>	Right Drawer	x3
<b>29</b>	Bottom Drawer	x3



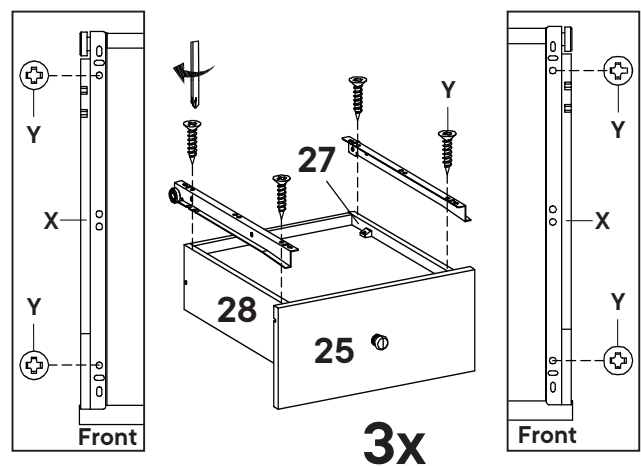
# Step 24

## HARDWARE

<b>X</b>	Drawer Rail	x3
<b>Y</b>	Screw M6 x 13 mm	x12

## COMPONENTS

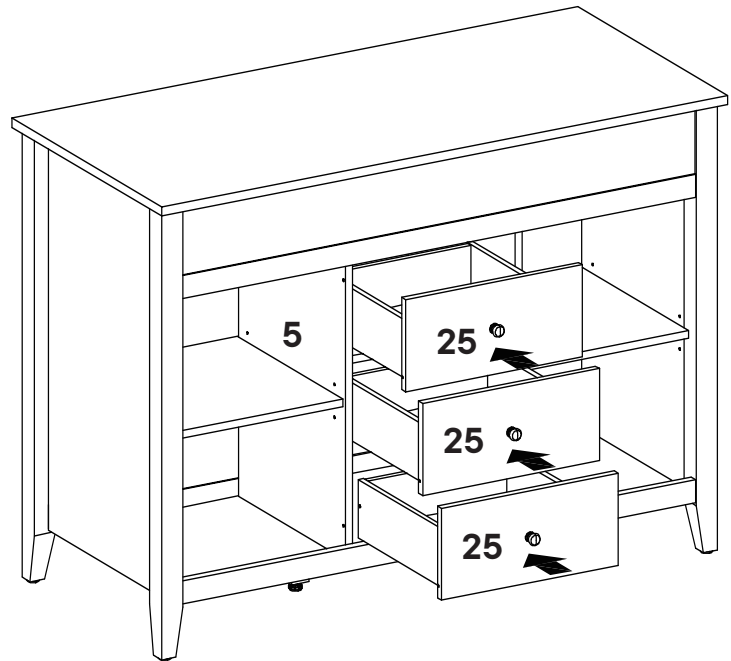
<b>25</b>	Front Drawer	x3
<b>27</b>	Left Drawer	x3
<b>28</b>	Right Drawer	x3



## Step 25

### COMPONENTS

5	Divider Left Board	x1
6	Divider Right Board	x1
25	Front Drawer	x3



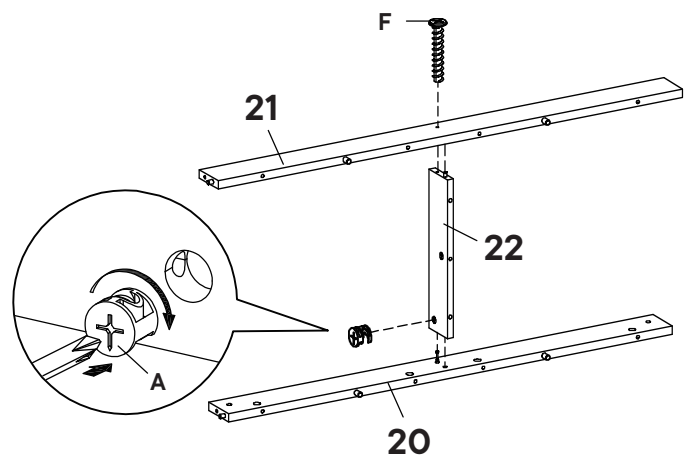
## Step 26

### HARDWARE

A	Cam Lock Ø15 mm	x1
F	Screw M10 x 33.5 mm	x1

### COMPONENTS

20	Middle Main Support	x1
21	Front Main Support	x1
22	Rear Main Support	x1



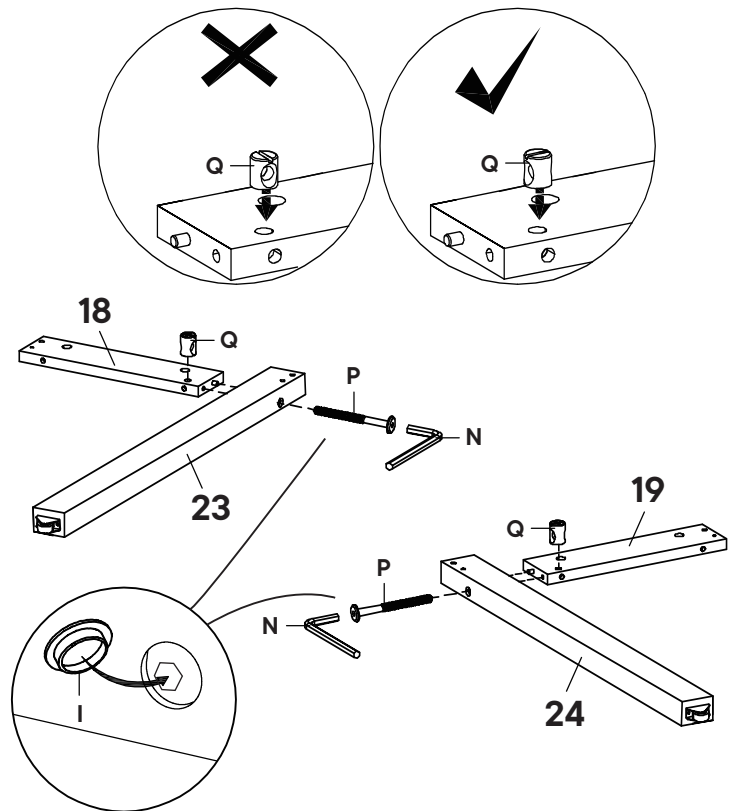
# Step 27

## HARDWARE

<b>I</b>	Cam Shock Ø17 mm	x2
<b>N</b>	Allen Key	x1
<b>P</b>	Screw M6 x 80 mm	x2
<b>Q</b>	Barrel nut	x2

## COMPONENTS

<b>18</b>	Left Main Support	x1
<b>19</b>	Right Main Support	x1
<b>23</b>	Left Main Leg	x1
<b>24</b>	Right Main Leg	x1



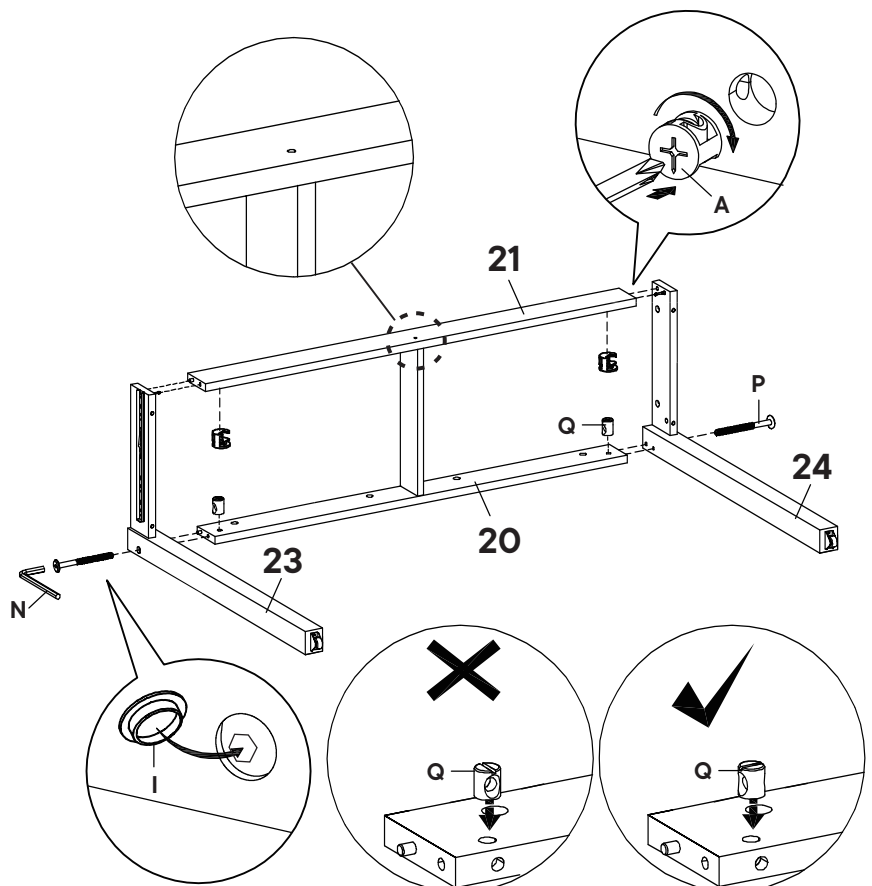
# Step 28

## HARDWARE

<b>A</b>	Cam Lock Ø15 mm	x2
<b>I</b>	Cam Shock Ø17 mm	x2
<b>N</b>	Allen Key	x1
<b>P</b>	Screw M6 x 80 mm	x2
<b>Q</b>	Barrel nut	x2

## COMPONENTS

<b>20</b>	Rear Main Support	x1
<b>21</b>	Front Main Support	x1
<b>23</b>	Left Main Leg	x1
<b>24</b>	Right Main Leg	x1





## Step 29

### HARDWARE

**A** Cam Lock Ø15 mm x13

### COMPONENTS

**17** Main Board x1

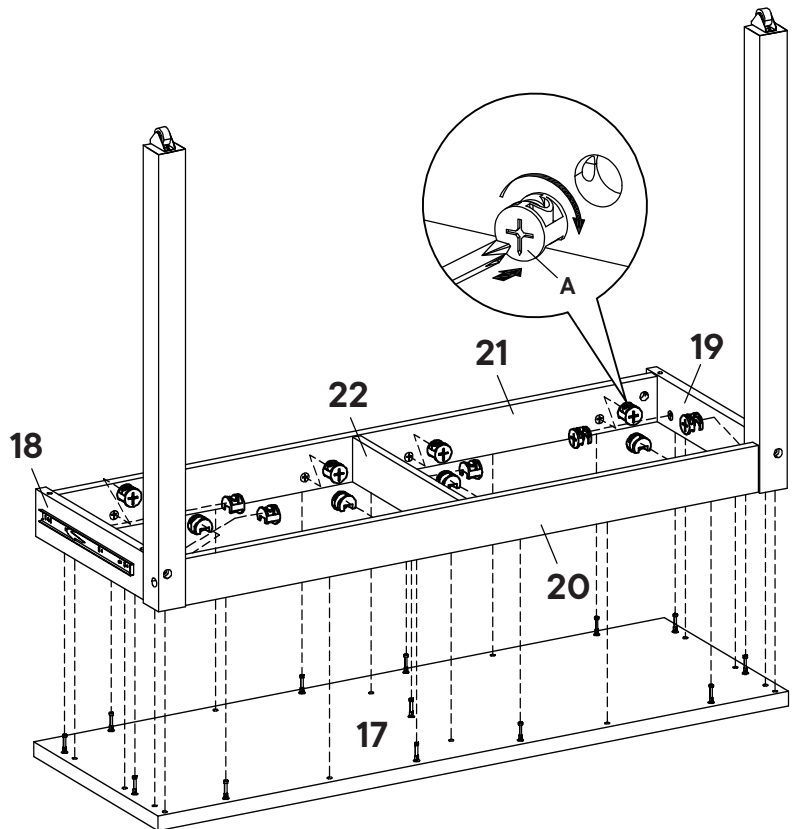
**18** Left Main Support x1

**19** Right Main Support x1

**20** Rear Main Support x1

**21** Front Main Support x1

**22** Middle Main Support x1



## Step 30

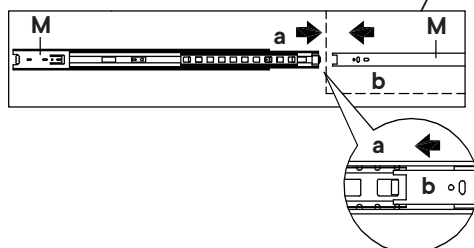
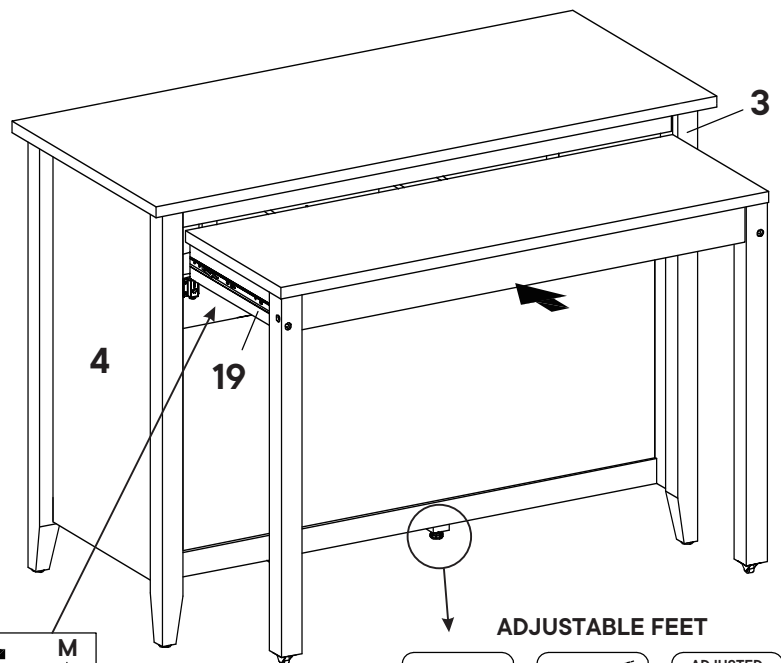
### COMPONENTS

**3** Left Board x1

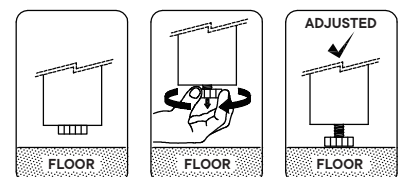
**4** Right Board x1

**18** Left Main Support x1

**19** Right Main Support x1



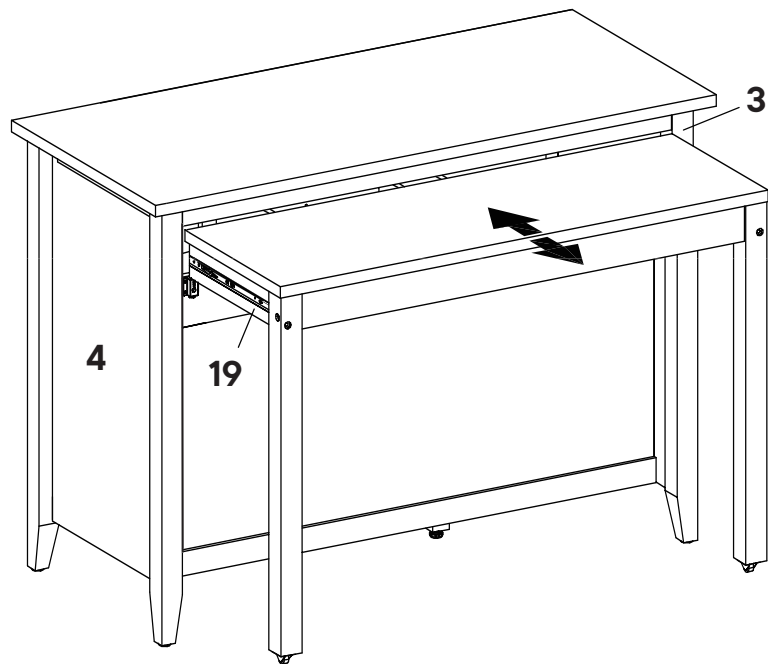
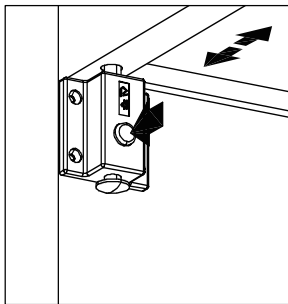
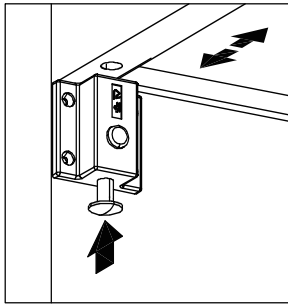
### ADJUSTABLE FEET



# Step 31

## COMPONENTS

- |    |                    |    |
|----|--------------------|----|
| 3  | Left Board         | x1 |
| 4  | Right Board        | x1 |
| 18 | Left Main Support  | x1 |
| 19 | Right Main Support | x1 |



# Great job!

Kitchen Island assembly is complete.

## ♥ CARING FOR YOUR ITEM

Indoor use only.

Not contract grade.

Clean using a non-abrasive cloth and a mild cleaner.

Never use harsh chemicals, as they could damage the finish or integrity of the item.

CONNECT WITH US!   

Tag us @modway\_furniture and #modway for a chance to be featured.

