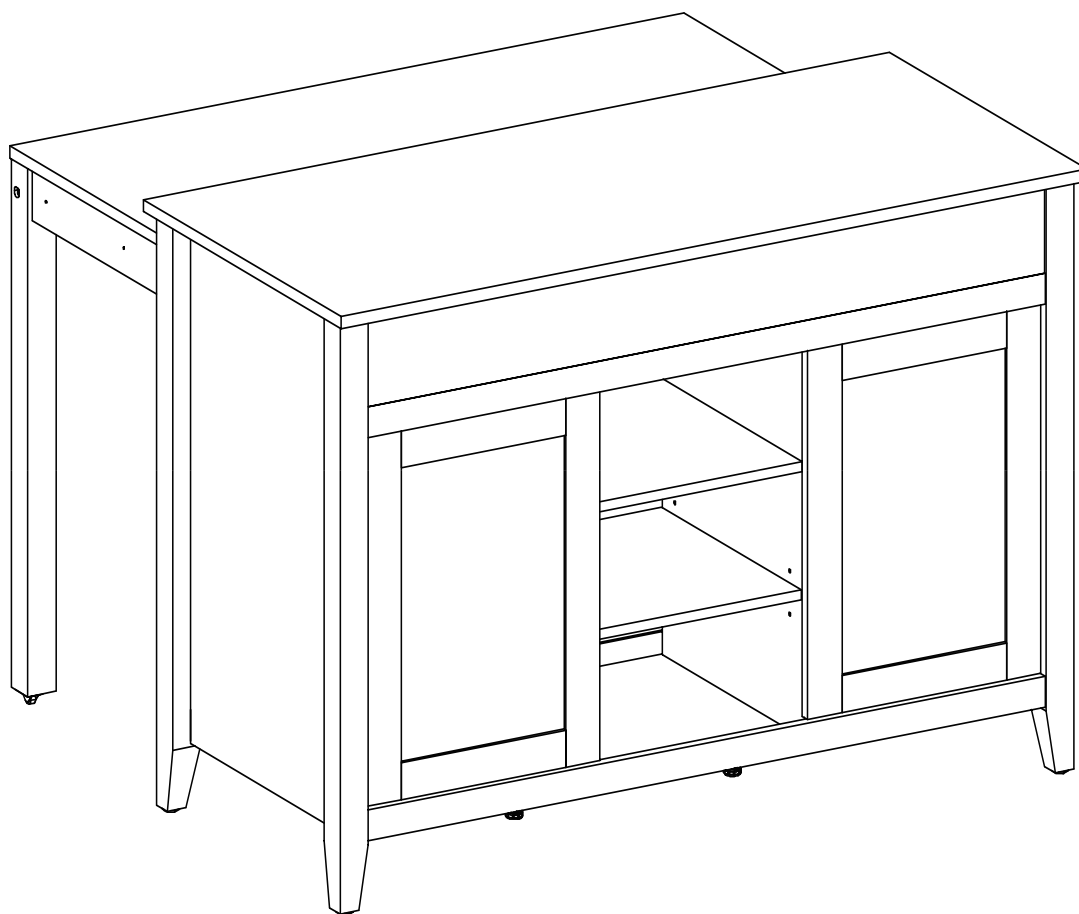


ASSEMBLY INSTRUCTIONS

EEI-6727

V1.10.10.23



Questions? Contact us!

609.256.9000 • cs@modway.com
www.modway.com

***modway**

Let's get started!

*modway



Read through all of the instructions before starting



Care instructions are listed in the last step of this manual

Only use hand tools to assemble this item. Do not use power tools. Do not tighten bolts or screws completely until all hardware is lined up and inserted into the holes.



Approx. 60 minutes assembly time



Make sure you have all parts and components before discarding any packing materials

Do not over-tighten screws and bolts to avoid stripping the hardware or cracking the item.

Assemble your item on a flat, carpeted area, with plenty of space to work. This will prevent damage and scratches to your floors or the item while you're assembling the product.

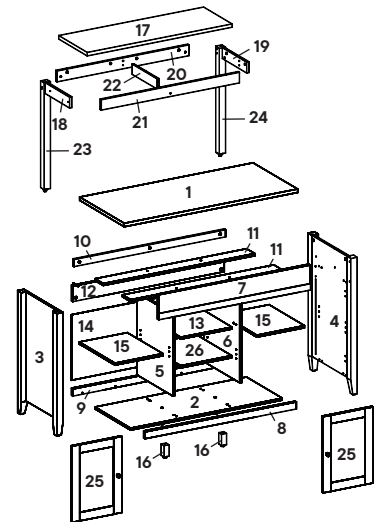


2 people recommended for assembly

Keep all components and packaging out of reach of children or animals to avoid risk of choking or suffocation.

Furniture components:

1	Top Board	x1	11	Main Drawer Support	x2	21	Front Main Support	x1
2	Bottom Board	x1	12	Rear Board	x1	22	Middle Main Support	x1
3	Left Board	x1	13	Fix Shelf	x1	23	Left Main Leg	x1
4	Right Board	x1	14	Backboard	x1	24	Right Main Leg	x1
5	Divider Left Board	x1	15	Side Adjust Shelf	x2	25	Door	x2
6	Divider Right Board	x1	16	Leg	x2	26	Middle Adjust Shelf	x1
7	Front Board	x1	17	Main Board	x1			
8	Bottom Front Support	x1	18	Left Main Support	x1			
9	Bottom Rear Support	x1	19	Right Main Support	x1			
10	Top Support	x1	20	Rear Main Support	x1			



Provided hardware:

A		Cam Lock Ø15 mm	x54	K		Screw M4 x 19 mm	x12	U		Screw M6 x 15 mm	x4
B		Cam Bolt Ø7.5 x 32 mm	x54	L		Shelf Pin M7 x 16.5 mm	x12	V		Roller	x2
C		Cam Cover Ø17 mm	x35	M		Drawer Rail	x1	W		Stopper	x2
D		Plastic Dowel M8 x 32 mm	x62	N		Allen Key	x1				
E		Screw M4 x 13 mm	x8	O		Handle	x2				
F		Screw M10 x 33.5 mm	x11	P		Screw M6 x 80 mm	x4				
G		Screw M6 x 8 mm	x8	Q		Barrel Nut	x4				
H		Screw M4 x 25 mm	x2	R		Door Hinge	x4				
I		Cam Shock Ø17 mm	x4	S		Door Latch	x2				
J		Screw M4 x 10 mm	x8	T		Backply Stopper	x12				

What you need:

Phillips Head Screwdriver

Wait!

Missing parts or hardware? Need assistance?
Contact us before returning your item. We're here to help!
609.256.9000 • cs@modway.com

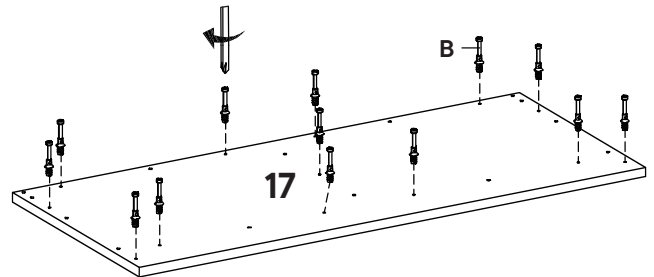
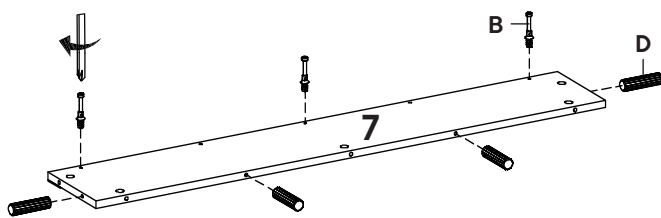
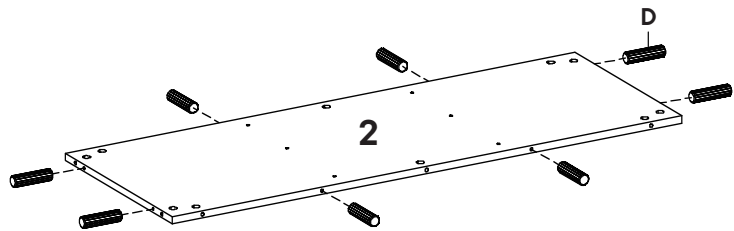
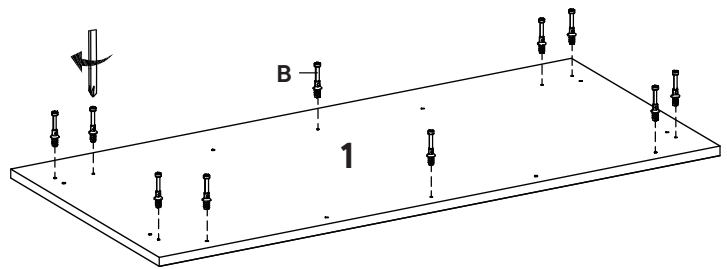
Step 1

HARDWARE

- B** Cam Bolt $\varnothing 7.5 \times 32$ mm x26
- D** Plastic Dowel M8 x 32 mm x12

COMPONENTS

- 1** Top Board x1
- 2** Bottom Board x1
- 7** Front Board x1
- 17** Main Board x1



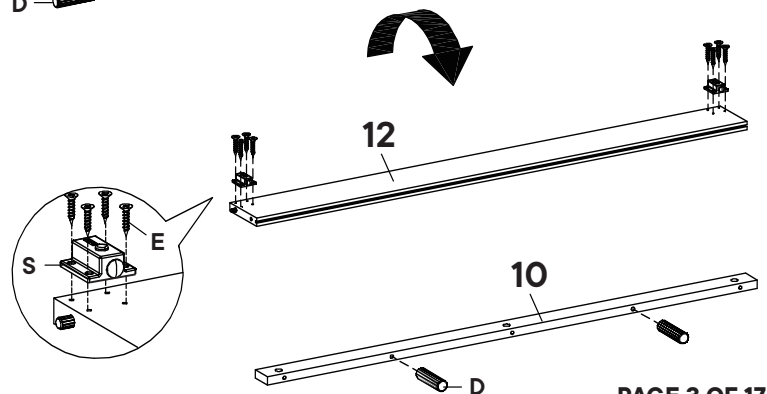
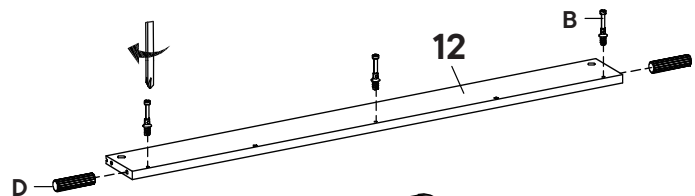
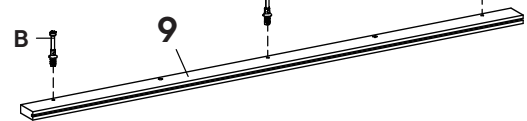
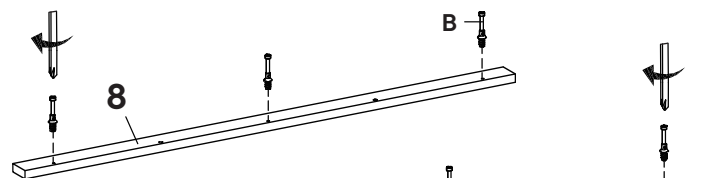
Step 2

HARDWARE

- B** Cam Bolt $\varnothing 7.5 \times 32$ mm x9
- D** Plastic Dowel M8 x 32 mm x4
- E** Screw M4 x 13 mm x8
- S** Door Latch x2

COMPONENTS

- 8** Bottom Front Support x1
- 9** Bottom Rear Support x1
- 10** Top Support x1
- 12** Rear Board x1



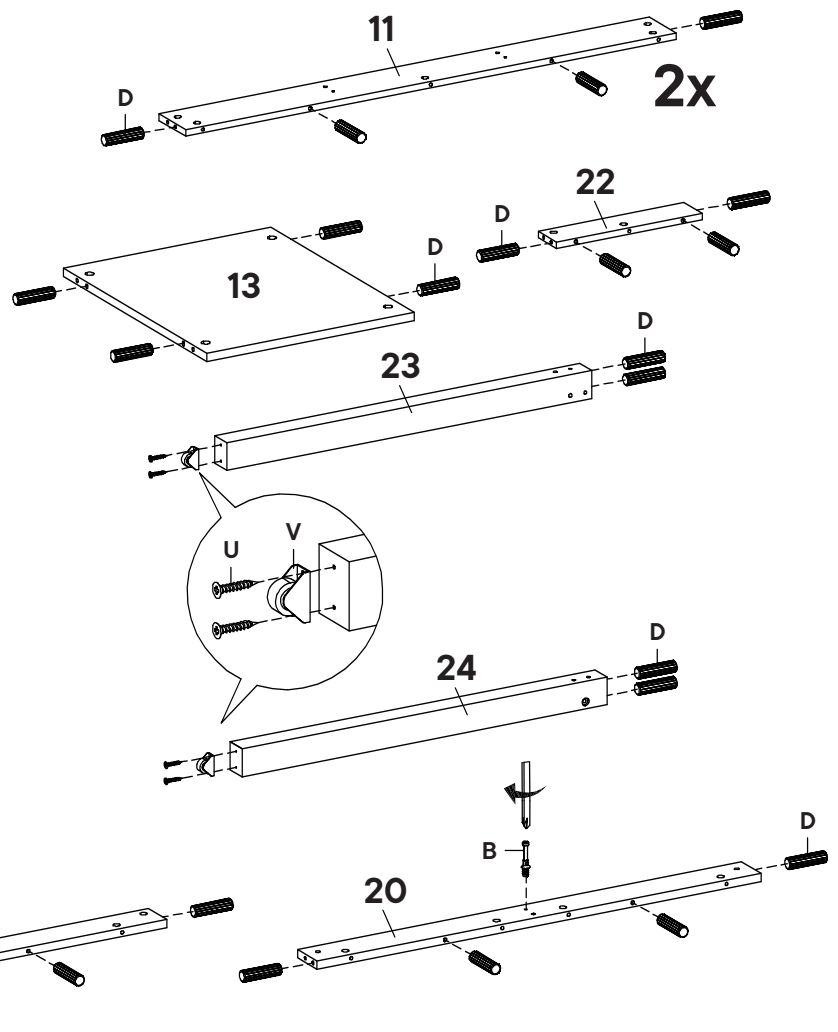
Step 3

HARDWARE

B	Cam Bolt Ø7.5 x 32 mm	x1
D	Plastic Dowel M8 x 32 mm	x28
U	Screw M6 x 15 mm	x4
V	Roller	x2

COMPONENTS

11	Main Drawer Support	x2
13	Fix Shelf	x1
20	Rear Main Support	x1
21	Front Main Support	x1
22	Middle Main Support	x1
23	Left Main Leg	x1
24	Right Main Leg	x1



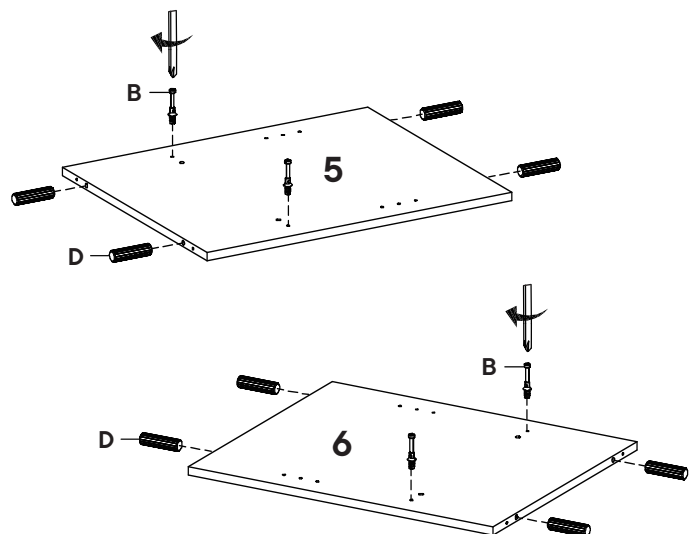
Step 4

HARDWARE

B	Cam Bolt Ø7.5 x 32 mm	x4
D	Plastic Dowel M8 x 32 mm	x8

COMPONENTS

5	Divider Left Board	x1
6	Divider Right Board	x1



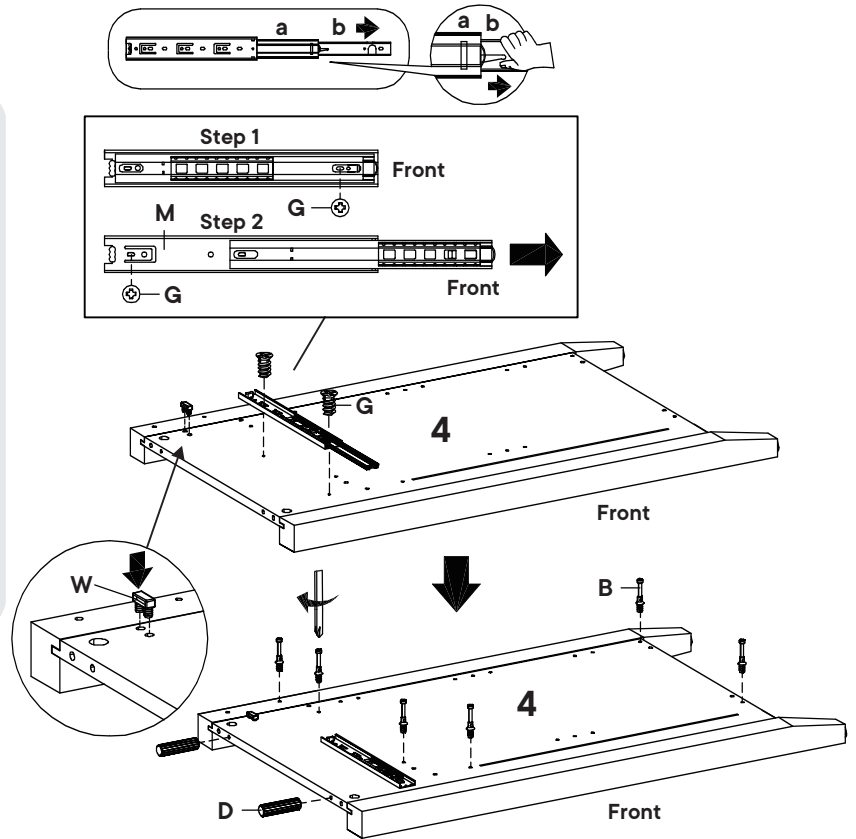
Step 5

HARDWARE

- B** Cam Bolt Ø7.5 x 32 mm x6
- D** Plastic Dowel M8 x 32 mm x2
- G** Screw M6 x 8 mm x2
- M** Drawer Rail x1
- W** Stopper x1

COMPONENTS

- 4** Right Board x1



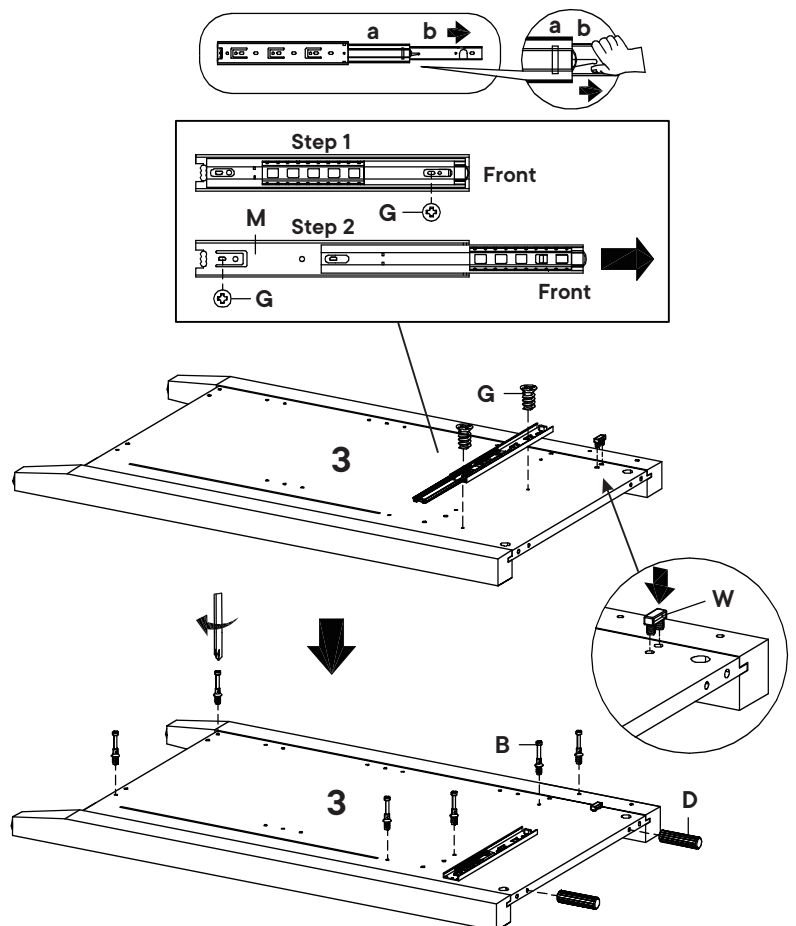
Step 6

HARDWARE

- B** Cam Bolt Ø7.5 x 32 mm x6
- D** Plastic Dowel M8 x 32 mm x2
- G** Screw M6 x 8 mm x2
- M** Drawer Rail x1
- W** Stopper x1

COMPONENTS

- 3** Left Board x1



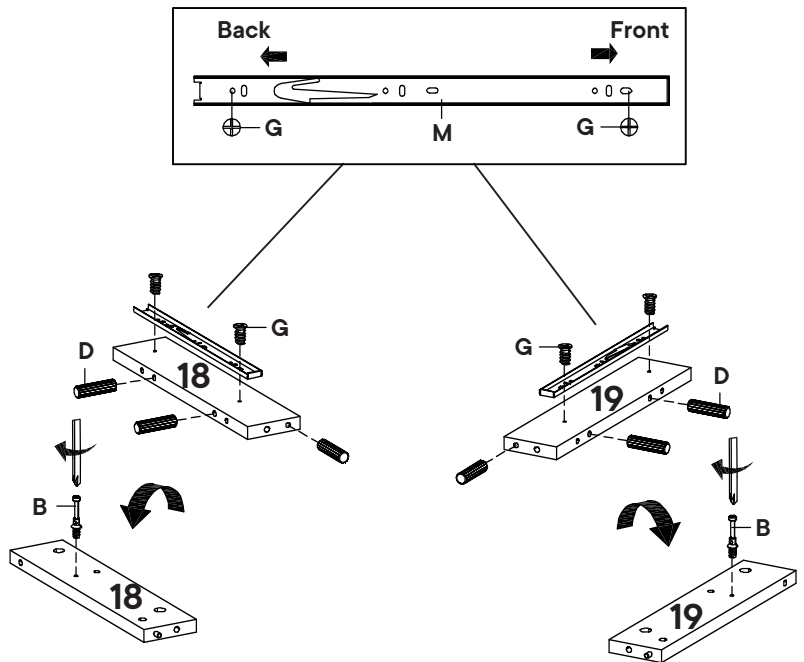
Step 7

HARDWARE

B	Cam Bolt $\varnothing 7.5 \times 32$ mm	x2
D	Plastic Dowel M8 x 32 mm	x6
G	Screw M6 x 8 mm	x4
M	Drawer Rail	x1

COMPONENTS

18	Left Main Support	x1
19	Right Main Support	x1



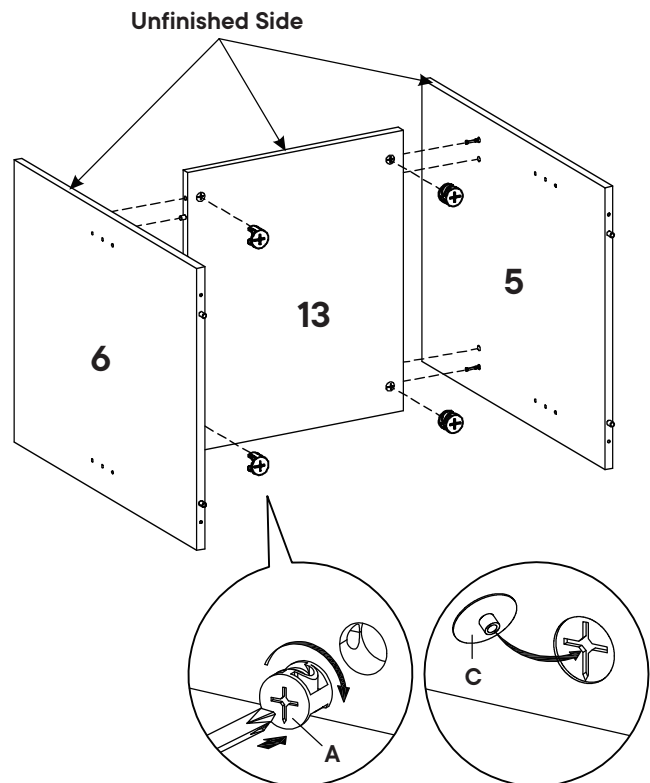
Step 8

HARDWARE

A	Cam Lock $\varnothing 15$ mm	x4
C	Cam Cover $\varnothing 17$ mm	x4

COMPONENTS

5	Divider Left Board	x1
6	Divider Right Board	x1
13	Fix Shelf	x1



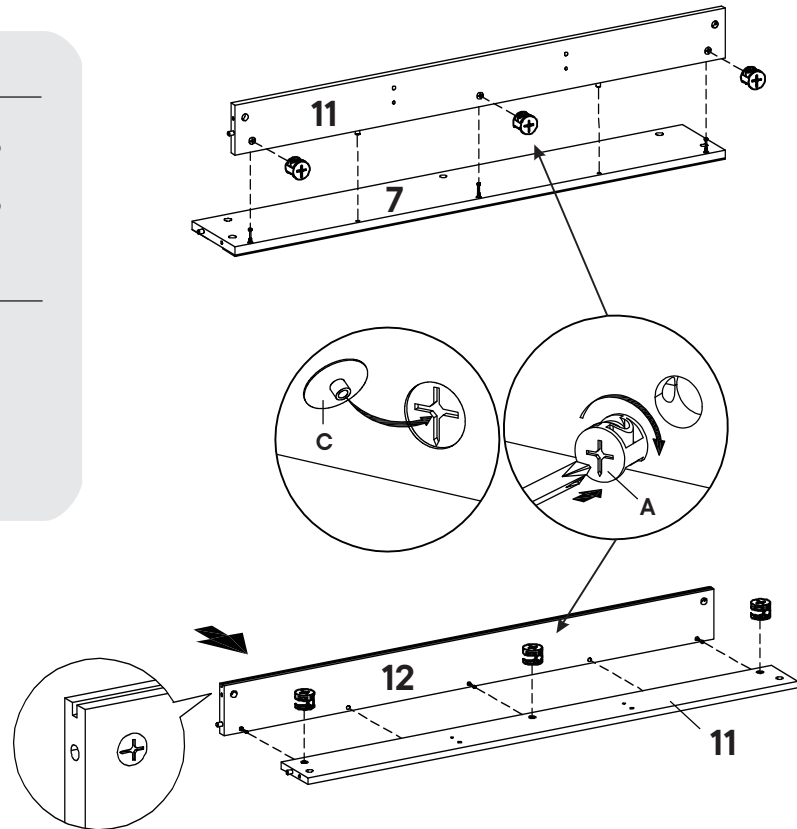
Step 9

HARDWARE

- | | | |
|----------|------------------|----|
| A | Cam Lock Ø15 mm | x6 |
| C | Cam Cover Ø17 mm | x6 |

COMPONENTS

- | | | |
|-----------|---------------------|----|
| 7 | Front Board | x1 |
| 11 | Main Drawer Support | x2 |
| 12 | Rear Board | x1 |



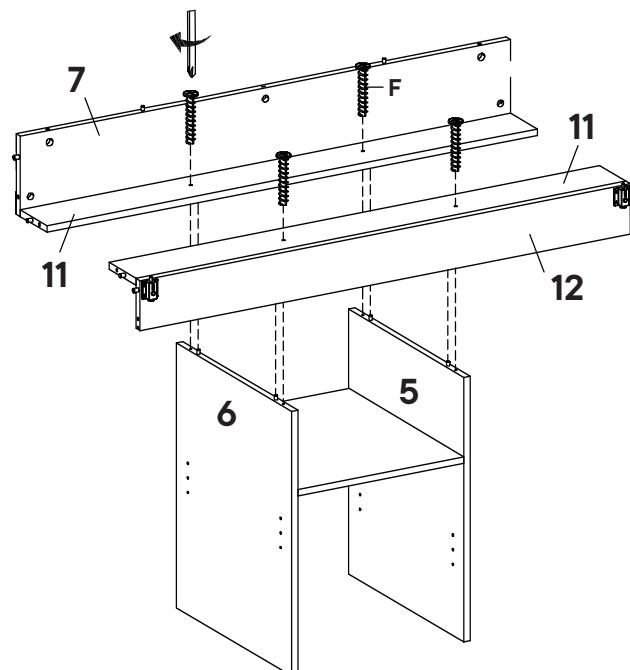
Step 10

HARDWARE

- | | | |
|----------|---------------------|----|
| F | Screw M10 x 33.5 mm | x4 |
|----------|---------------------|----|

COMPONENTS

- | | | |
|-----------|---------------------|----|
| 5 | Divider Left Board | x1 |
| 6 | Divider Right Board | x1 |
| 11 | Main Drawer Support | x2 |



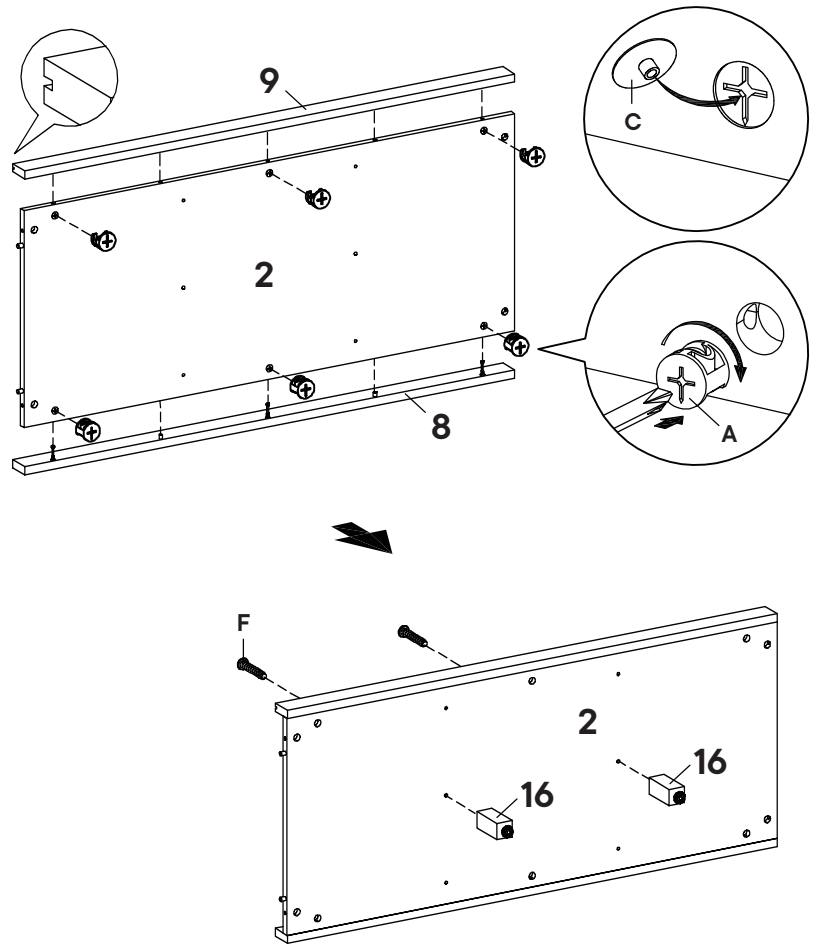
Step 11

HARDWARE

- A** Cam Lock Ø15 mm x6
- C** Cam Cover Ø17 mm x6
- F** Screw M10 x 33.5 mm x2

COMPONENTS

- 2** Bottom Board x1
- 8** Bottom Front Support x1
- 9** Bottom Rear Support x1
- 16** Leg x2



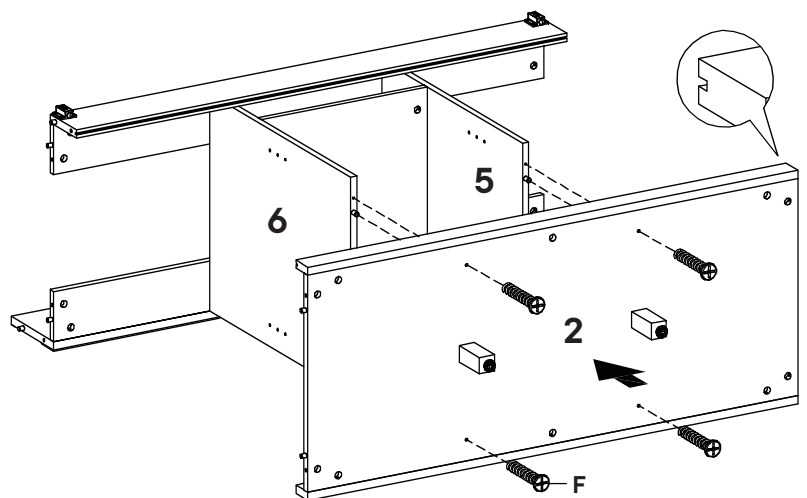
Step 12

HARDWARE

- F** Screw M10 x 33.5 mm x4

COMPONENTS

- 2** Bottom Board x1
- 5** Divider Left Board x1
- 6** Divider Right Board x1



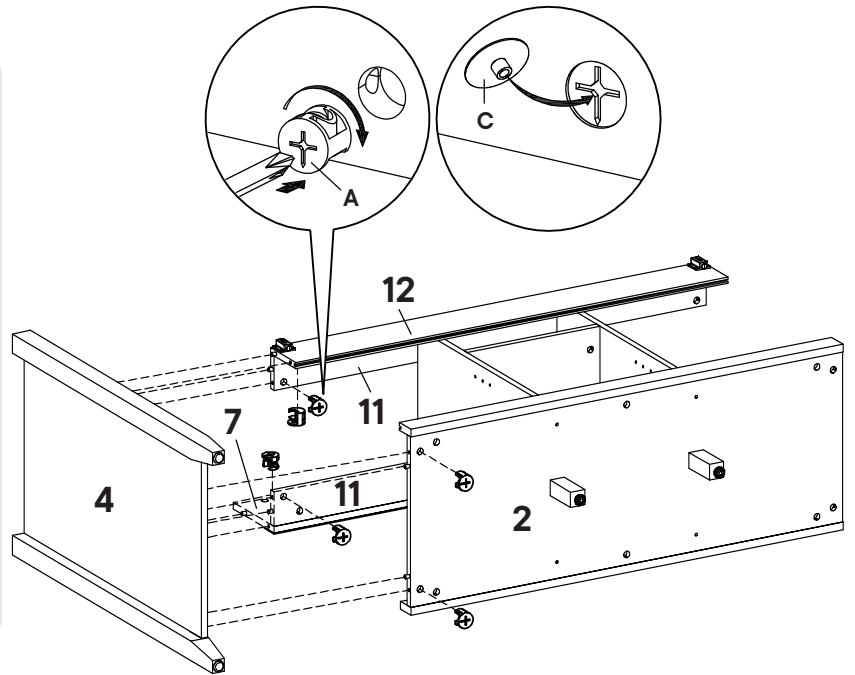
Step 13

HARDWARE

- | | | |
|---|------------------|----|
| Ⓐ | Cam Lock Ø15 mm | x6 |
| Ⓒ | Cam Cover Ø17 mm | x6 |

COMPONENTS

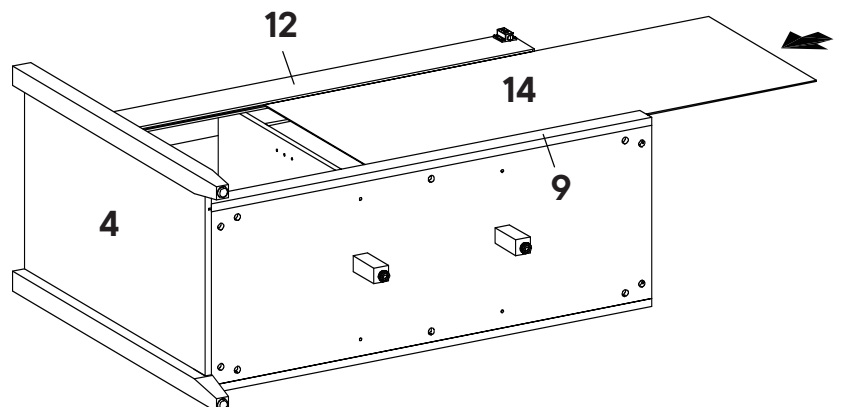
- | | | |
|---|---------------------|----|
| ② | Bottom Board | x1 |
| ④ | Right Board | x1 |
| ⑦ | Front Board | x1 |
| ⑪ | Main Drawer Support | x2 |
| ⑫ | Rear Board | x1 |



Step 14

COMPONENTS

- | | | |
|---|---------------------|----|
| ④ | Right Board | x1 |
| ⑨ | Bottom Rear Support | x1 |
| ⑫ | Rear Board | x1 |
| ⑭ | Backboard | x1 |



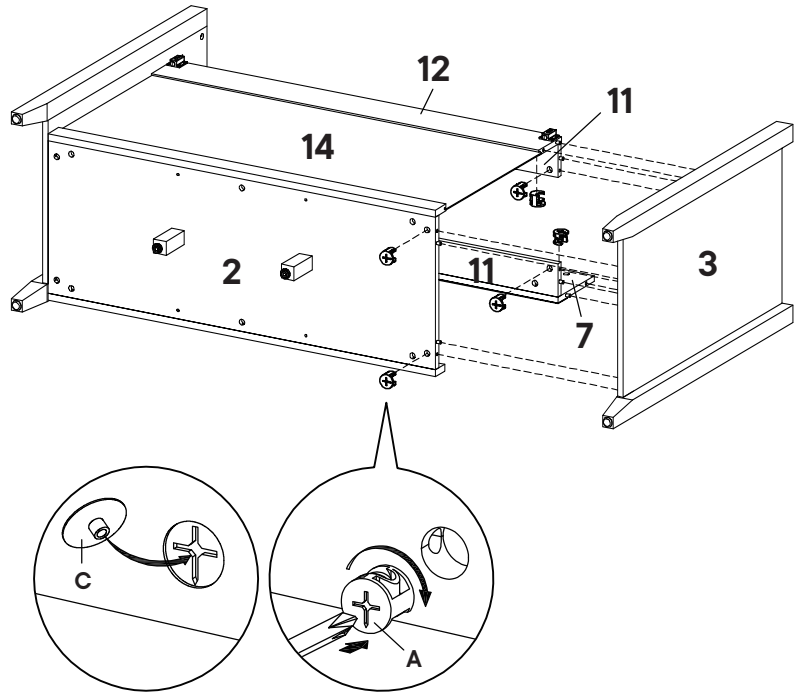
Step 15

HARDWARE

A	Cam Lock Ø15 mm	x6
C	Cam Cover Ø17 mm	x6

COMPONENTS

2	Bottom Board	x1
3	Left Board	x1
7	Front Board	x1
11	Main Drawer Support	x2
12	Rear Board	x1
14	Backboard	x1



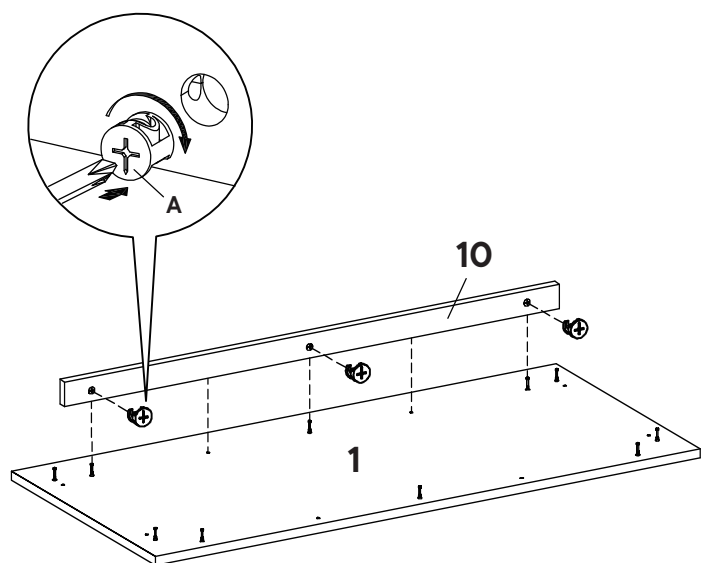
Step 16

HARDWARE

A	Cam Lock Ø15 mm	x3
----------	-----------------	----

COMPONENTS

1	Top Board	x1
10	Top Support	x1



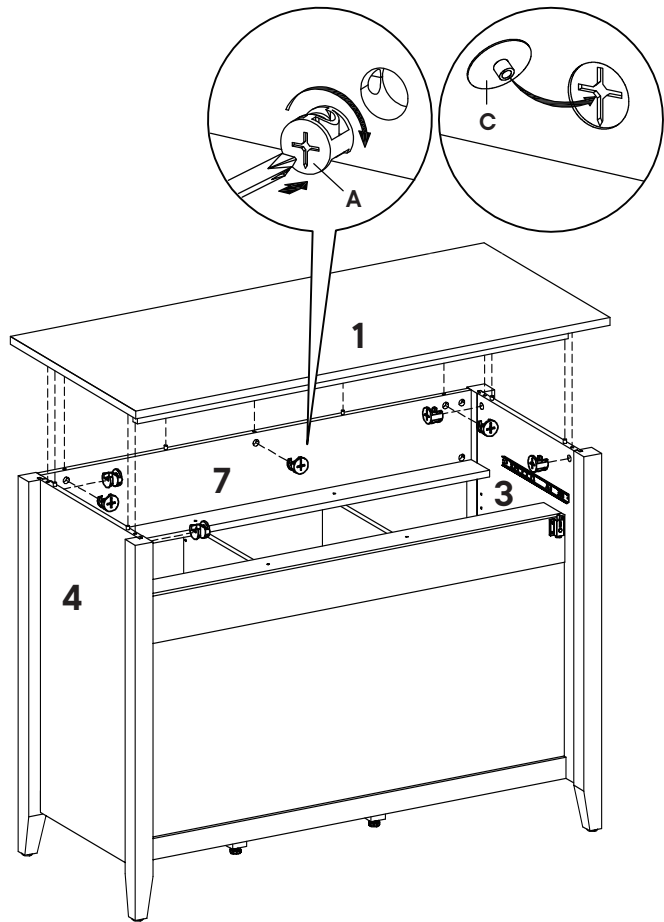
Step 17

HARDWARE

- A** Cam Lock Ø15 mm x7
- C** Cam Cover Ø17 mm x7

COMPONENTS

- 1** Top Board x1
- 3** Left Board x1
- 4** Right Board x1
- 7** Front Board x1



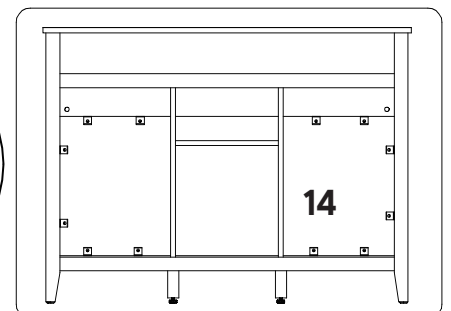
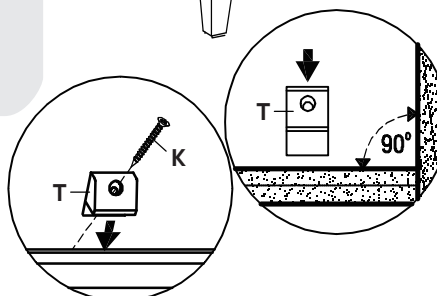
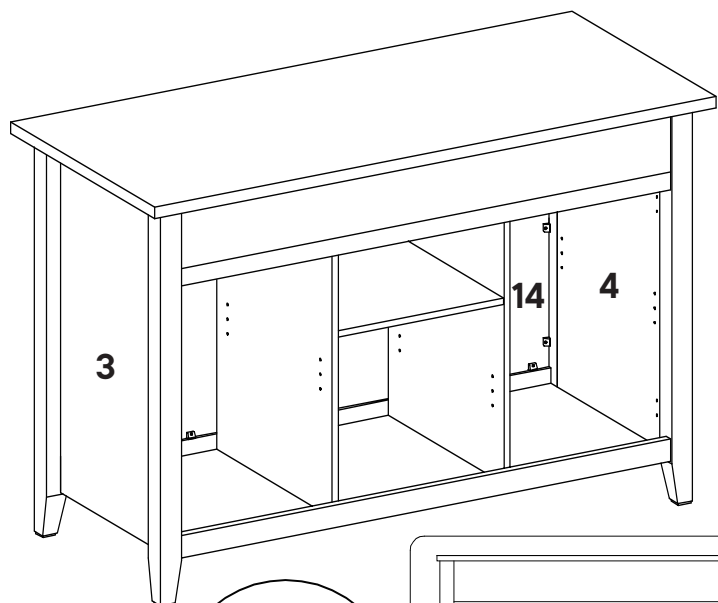
Step 18

HARDWARE

- K** Screw M4 x 19 mm x12
- T** Backply Stopper x12

COMPONENTS

- 3** Left Board x1
- 4** Right Board x1
- 9** Bottom Rear Board x1
- 12** Rear Board x1
- 14** Backboard x1



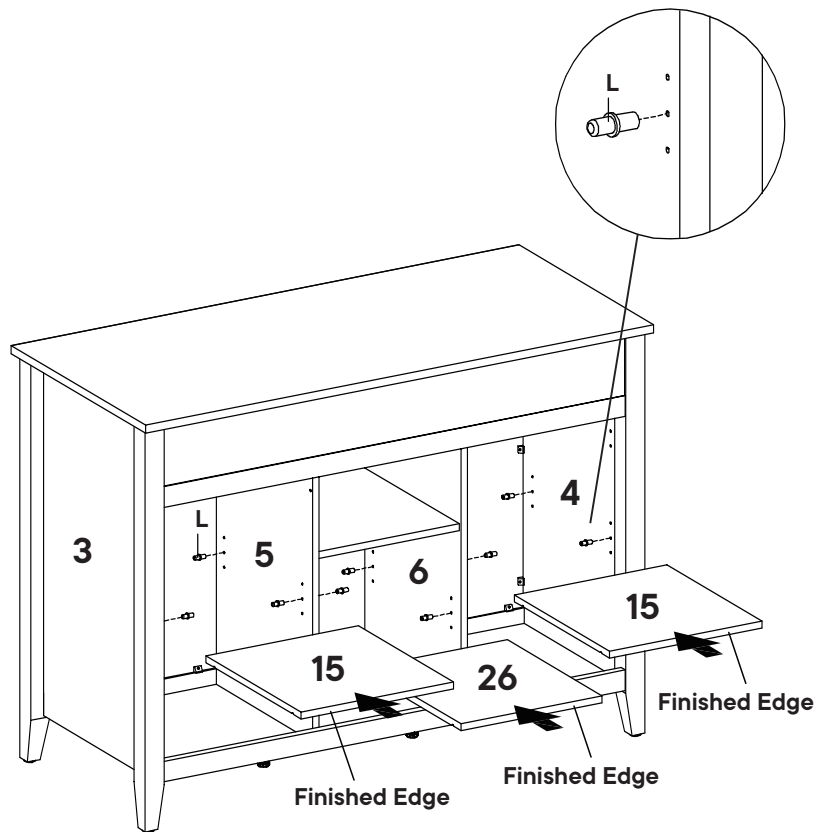
Step 19

HARDWARE

- L** Shelf Pin M7 x 16.5mm x12

COMPONENTS

- 3** Left Board x1
- 4** Right Board x1
- 5** Divider Left Board x1
- 6** Divider Right Board x1
- 15** Side adjust Shelf x2
- 26** Middle Adjust Shelf x1



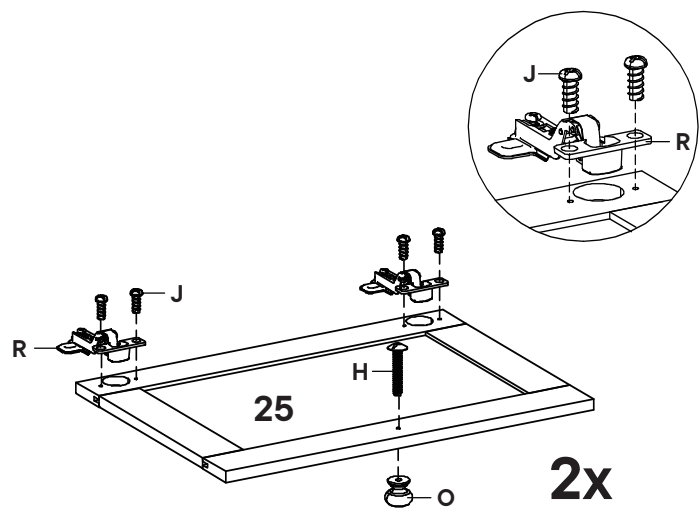
Step 20

HARDWARE

- H** Screw M4 x 25 mm x2
- J** Screw M4 x 10 mm x8
- O** Handle x2
- R** Door Hinge x4

COMPONENTS

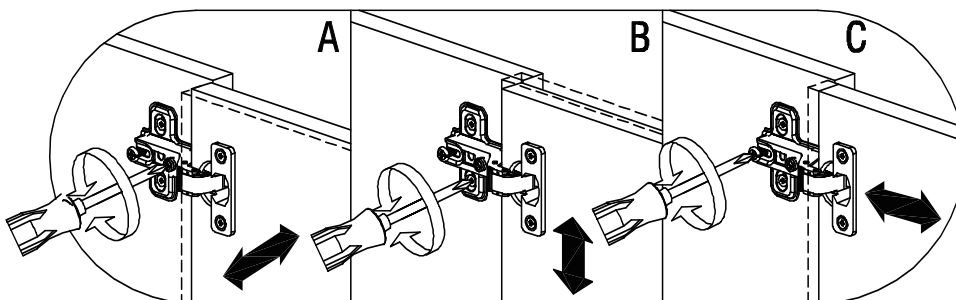
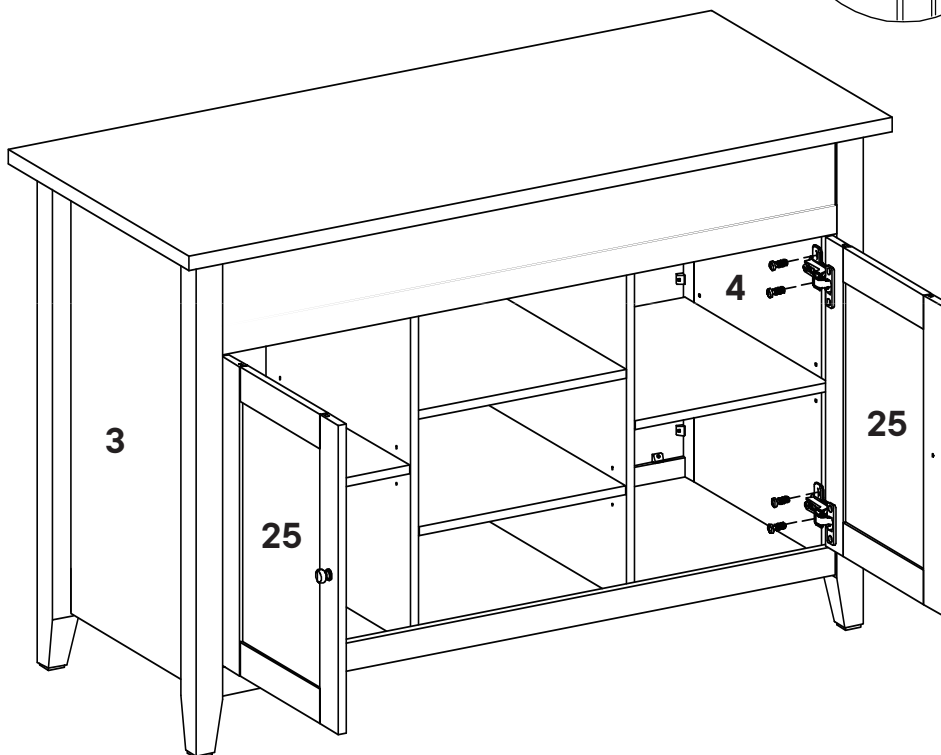
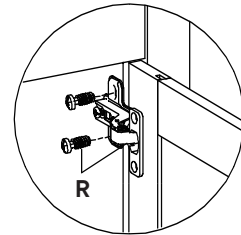
- 25** Door x2



Step 21

COMPONENTS

- 3 Left Board x1
- 4 Right Board x1
- 25 Door x2



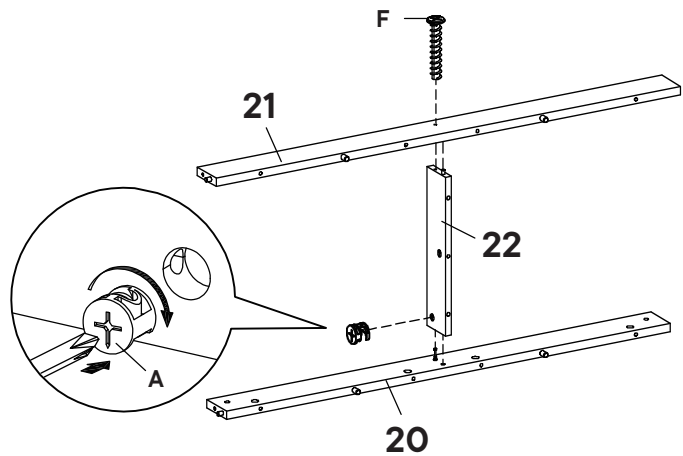
Step 22

HARDWARE

- A** Cam Lock Ø15 mm x1
- F** Screw M10 x 33.5 mm x1

COMPONENTS

- 20** Rear Main Support x1
- 21** Front Main Support x1
- 22** Middle Main Support x1



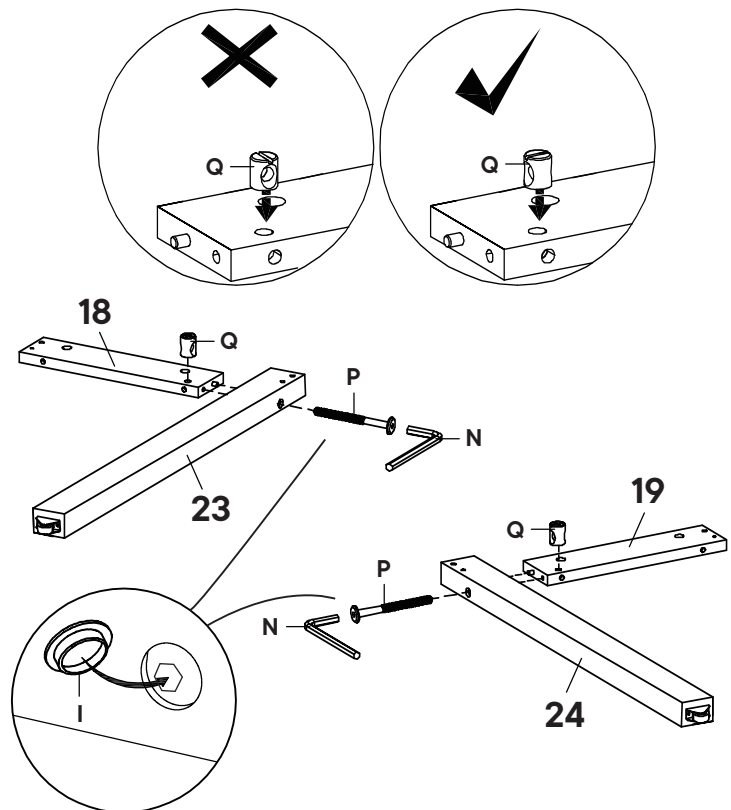
Step 23

HARDWARE

- I** Cam Shock Ø17 mm x2
- N** Allen Key x1
- P** Screw M6 x 80 mm x2
- Q** Barrel nut x2

COMPONENTS

- 18** Left Main Support x1
- 19** Right Main Support x1
- 23** Left Main Leg x1
- 24** Right Main Leg x1



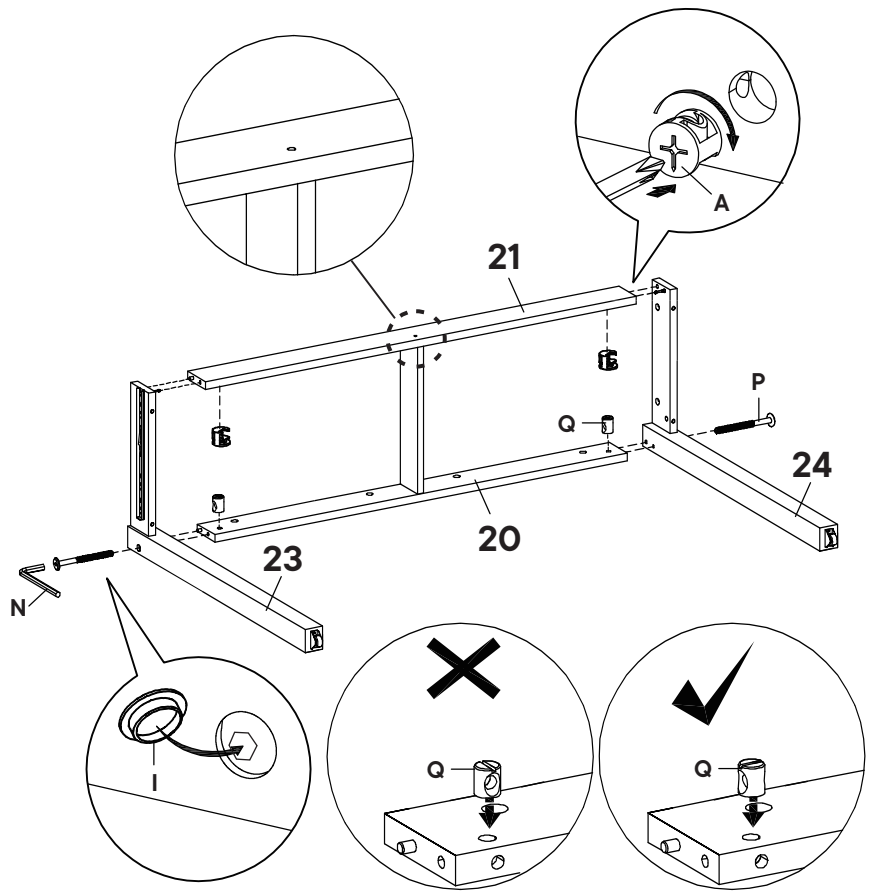
Step 24

HARDWARE

A	Cam Lock Ø15 mm	x2
I	Cam Shock Ø17 mm	x2
N	Allen Key	x1
P	Screw M6 x 80 mm	x2
Q	Barrel nut	x2

COMPONENTS

20	Rear Main Support	x1
21	Front Main Support	x1
23	Left Main Leg	x1
24	Right Main Leg	x1



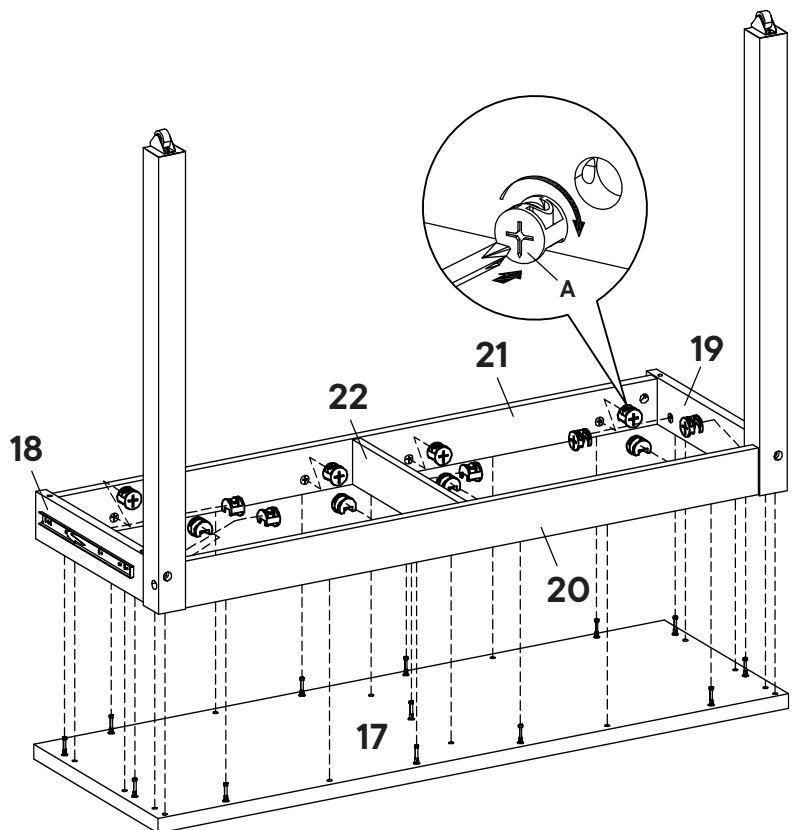
Step 25

HARDWARE

A	Cam Lock Ø15 mm	x13
----------	-----------------	-----

COMPONENTS

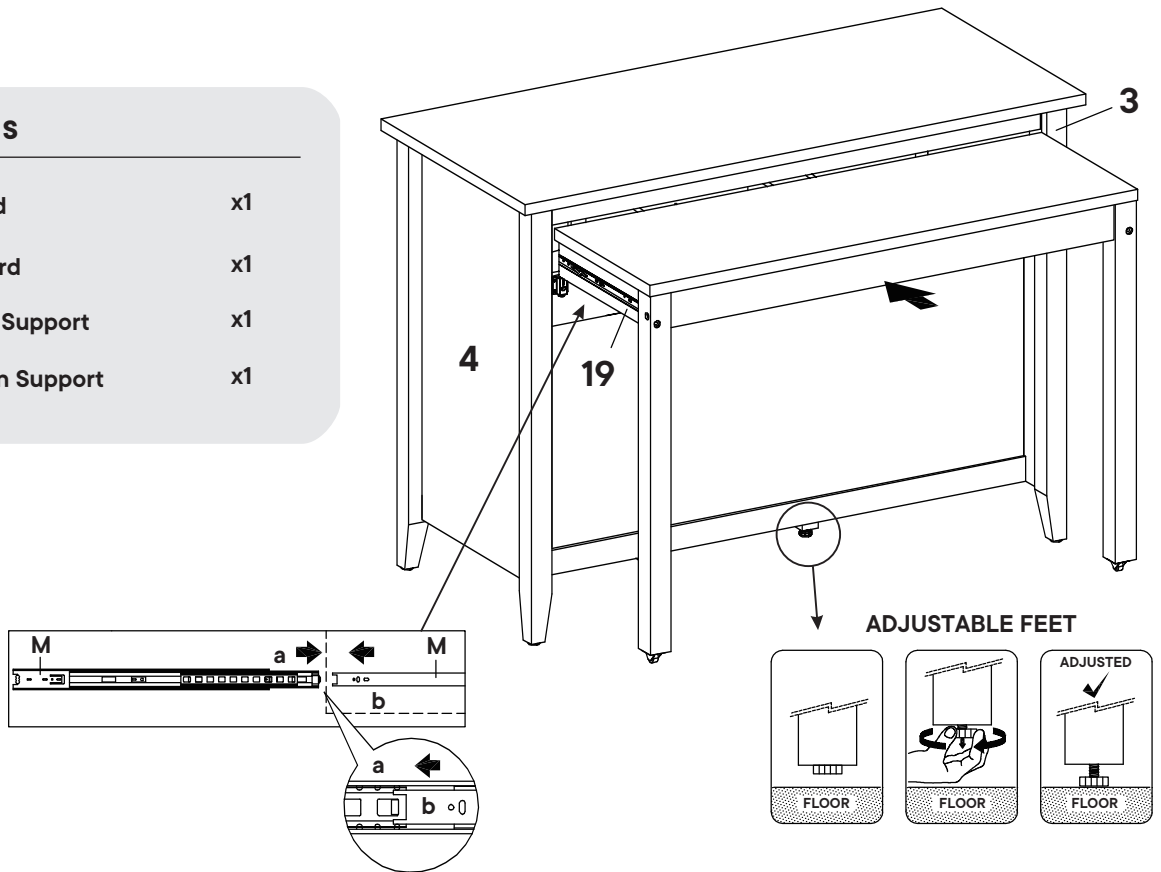
17	Main Board	x1
18	Left Main Support	x1
19	Right Main Support	x1
20	Rear Main Support	x1
21	Front Main Support	x1
22	Middle Main Support	x1



Step 26

COMPONENTS

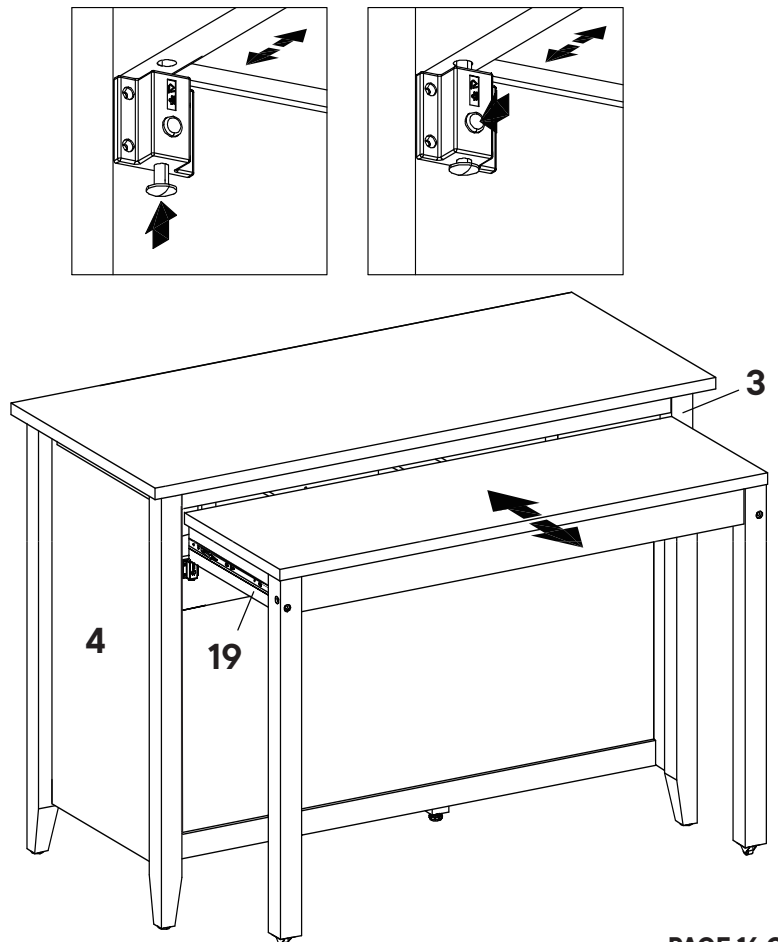
- ③ Left Board x1
- ④ Right Board x1
- ⑱ Left Main Support x1
- ⑲ Right Main Support x1



Step 27

COMPONENTS

- ③ Left Board x1
- ④ Right Board x1
- ⑱ Left Main Support x1
- ⑲ Right Main Support x1



Great job!

Kitchen Island assembly is complete.

♥ CARING FOR YOUR ITEM

Indoor use only.

Not contract grade.

Clean using a non-abrasive cloth and a mild cleaner.

Never use harsh chemicals, as they could damage the finish or integrity of the item.

CONNECT WITH US!   

Tag us @modway_furniture and #modway for a chance to be featured.

