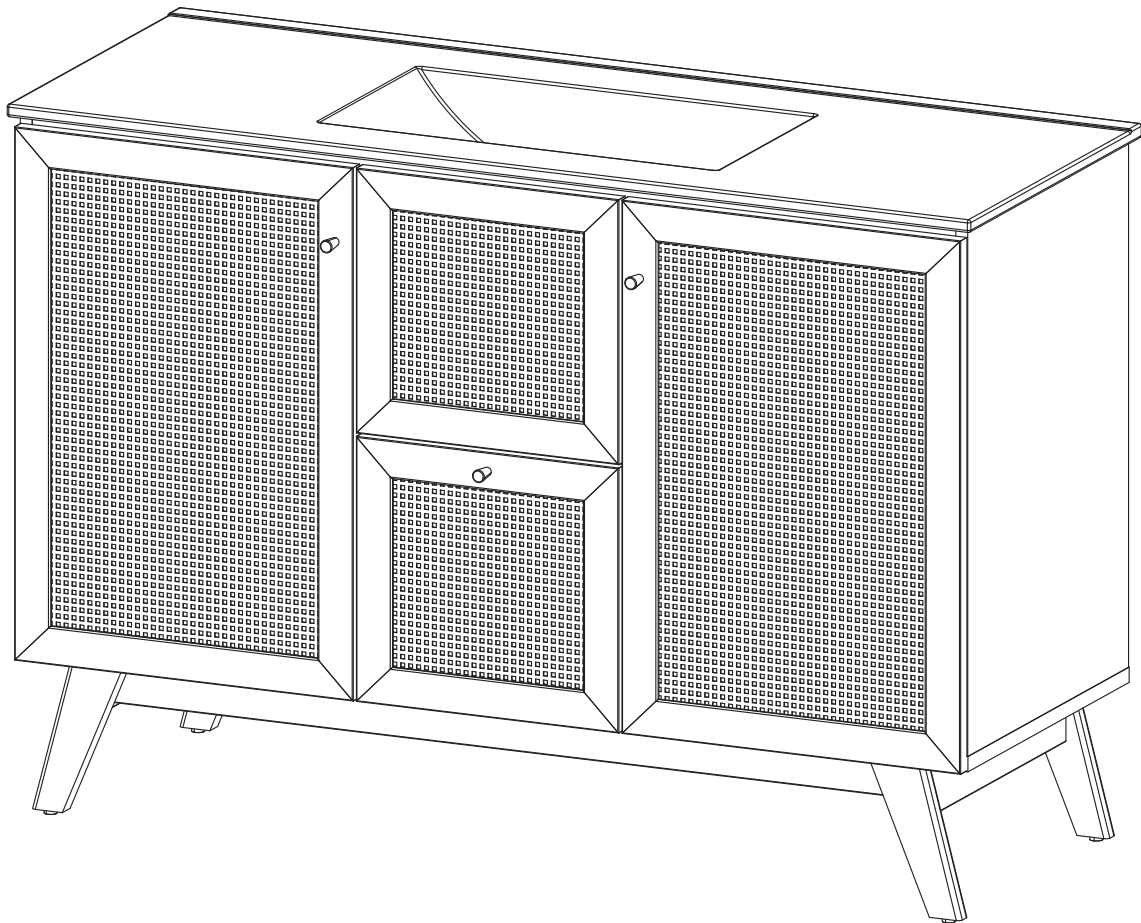


ASSEMBLY INSTRUCTIONS

EEI-6589

V0.02.28.23



Questions? Contact us!

609.256.9000 • cs@modway.com
www.modway.com

*modway



Read through all of the instructions before starting



Care instructions are listed in the last step of this manual



Approx. 120 minutes assembly time



Make sure you have all parts and components before discarding any packing materials



2 people recommended for assembly

Only use hand tools to assemble this item. Do not use power tools. Do not tighten bolts or screws completely until all hardware is lined up and inserted into the holes.

Do not over-tighten screws and bolts to avoid stripping the hardware or cracking the item.

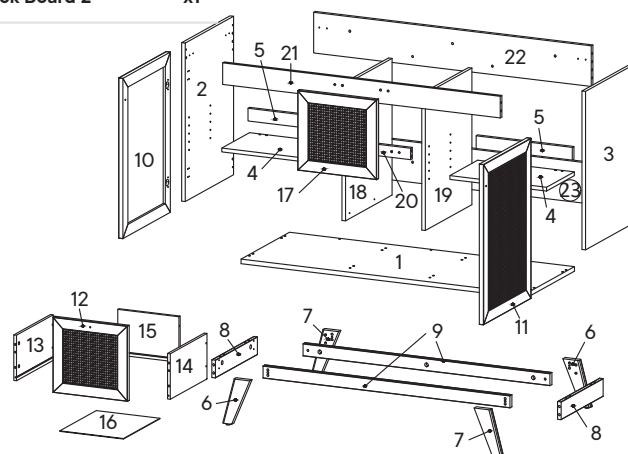
For vanity and plumbing installation, we suggest hiring a professional contractor and plumber.

Assemble your item on a flat, carpeted area, with plenty of space to work. This will prevent damage and scratches to your floors or the item while you're assembling the product.

Keep all components and packaging out of reach of children or animals to avoid risk of choking or suffocation.

Furniture components:

1	Bottom Board	x1	11	Door Right	x1	21	Support Board 3	x1
2	Side Board Left	x1	12	Front Drawer	x1	22	Back Board 1	x1
3	Side Board Right	x1	13	Side Drawer Left	x1	23	Back Board 2	x1
4	Adjustable Shelf	x2	14	Side Drawer Right	x1			
5	Support Board 1	x2	15	Back Drawer	x1			
6	Leg 1	x2	16	Bottom Drawer	x1			
7	Leg 2	x2	17	Fake Front Drawer	x1			
8	Bottom Skirt 1	x2	18	Center Board Left	x1			
9	Bottom Skirt 2	x2	19	Center Board Right	x1			
10	Door Left	x1	20	Support Board 2	x1			



Provided hardware:

A		Cam Bolt Ø6 x 35 mm	x24	K		Bracket	x4	U		Allen Key	x2
B		Cam Lock Ø15 mm	x20	L		Screw M 3.5 x 15.5 mm	x4	V		Wedge	x4
C		Cam Lock Ø12 mm	x4	M		Screw M 4.5 x 12.5 mm	x52	W		Screw M 3.5 x 13 mm	x6
D		Wood Dowel Ø8 x 30 mm	x52	N		Handle	x3	X		Silicon Bumper	x4
E		Wood Dowel Ø8 x 20 mm	x4	O		Screw M 4 x 25 mm	x3	BO45		Bracket	x2
F		Wood Dowel Ø6 x 30 mm	x2	P		Screw M 8 x 39 mm	x4	US90		Anti Deflection Bar	x1
G		Screw M 7 x 50 mm	x19	Q		Screw M 6 x 15 mm	x2	BC67		Bracket	x4
H		Screw M 6.4 x 35 mm	x4	R		JCN Nut	x2	HS26A		Hinge	x4
I		Screw M 6.4 x 25 mm	x4	S		Screw M 6 x 10.5 mm	x14	RM35A		Drawer Runner	x1
J		Shelf Support	x8	T		Foam/Rubber Pad	x10				

What you need:

Phillips Head Screwdriver

You may also need:

- + Power Drill
- + Level
- + Silicone Adhesive or Caulk
- + Drywall Anchors and Screws
- + Other Wall-Mounting Hardware

Wait!

Missing parts or hardware? Need assistance?
Contact us before returning your item. We're here to help!
609.256.9000 • cs@modway.com

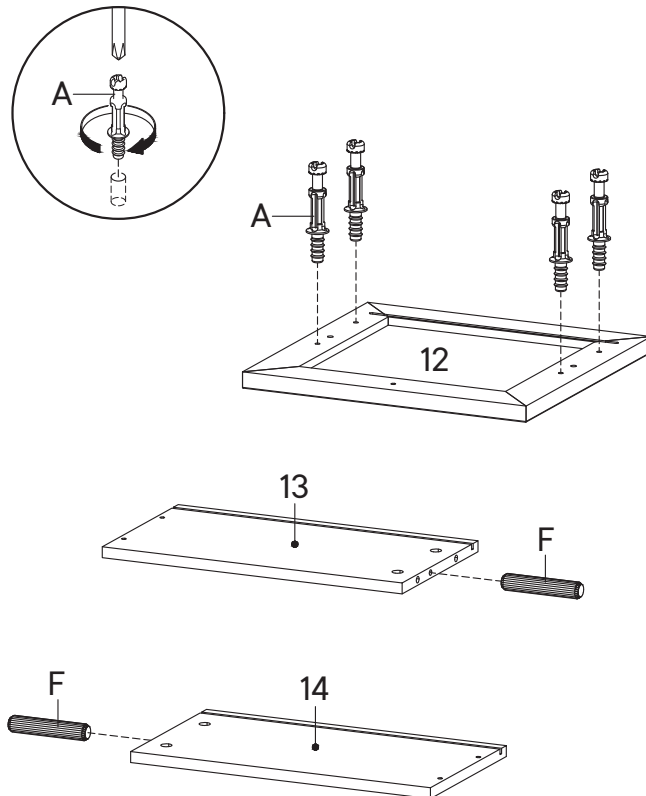
Step 1

HARDWARE

- A** Cam Bolt $\varnothing 6 \times 35$ mm x4
- F** Wood Dowel $\varnothing 6 \times 30$ mm x2

COMPONENTS

- 12** Front Drawer x1
- 13** Side Drawer Left x1
- 14** Side Drawer Right x1



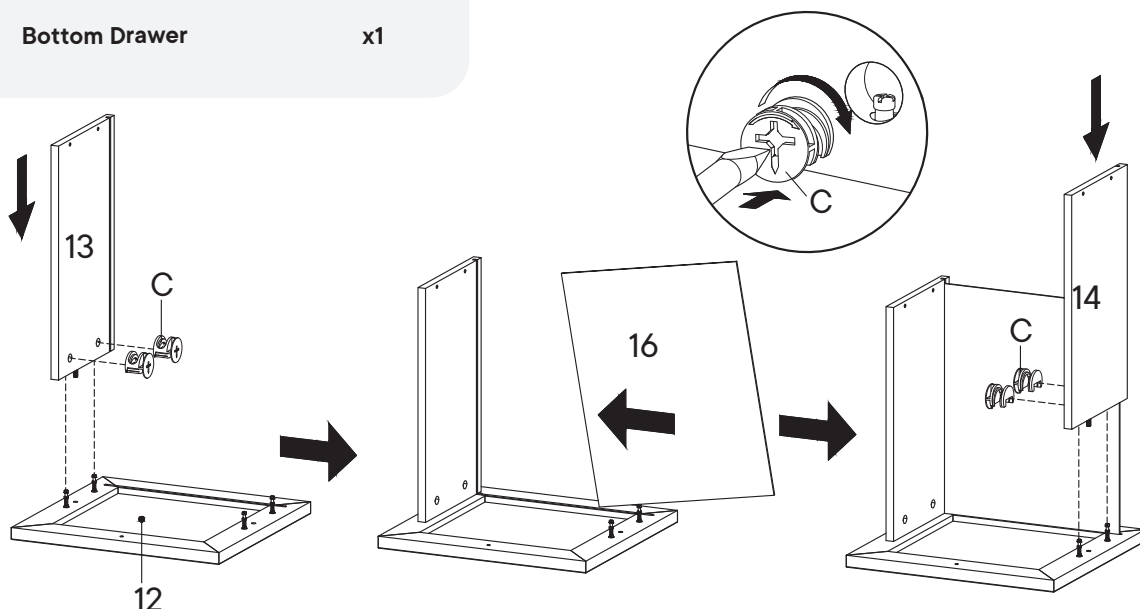
Step 2

HARDWARE

- C** Cam Lock $\varnothing 12$ mm x4

COMPONENTS

- 12** Front Drawer x1
- 13** Side Drawer Left x1
- 14** Side Drawer Right x1
- 16** Bottom Drawer x1



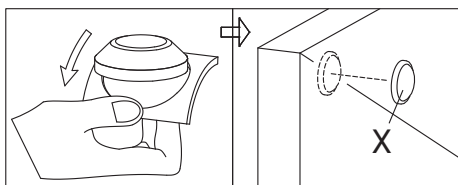
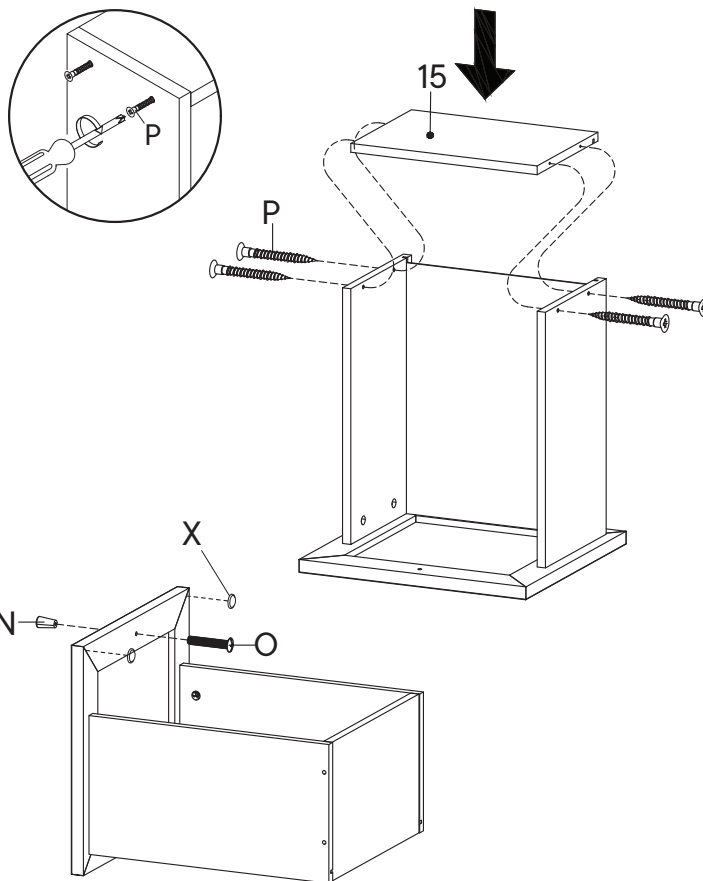
Step 3

HARDWARE

- N** Handle x1
- O** Screw M 4 x 25 mm x1
- P** Screw M 8 x 39 mm x4
- X** Silicon Bumper x2

COMPONENTS

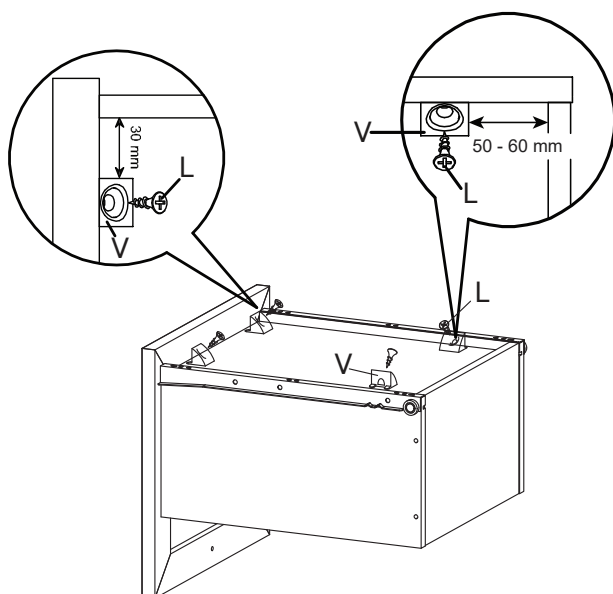
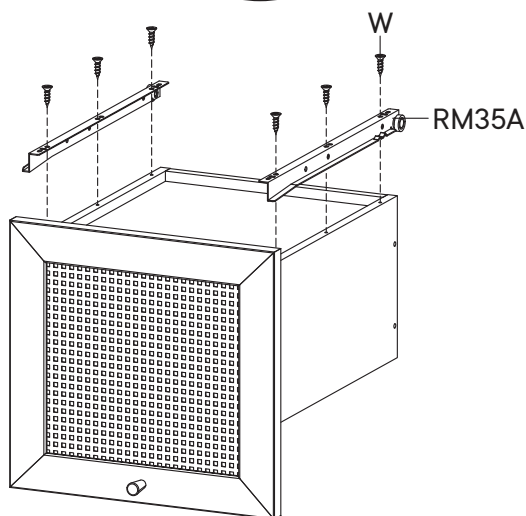
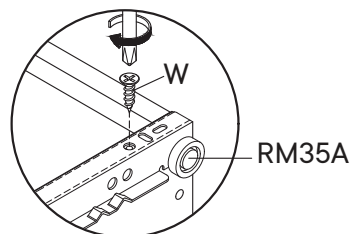
- 15** Back Drawer x1



Step 4

HARDWARE

- L** Screw M 3.5 x 15.5 mm x4
- V** Wedge x4
- W** Screw M 3.5 x 13 mm x6
- RM35A** Drawer Runner x1



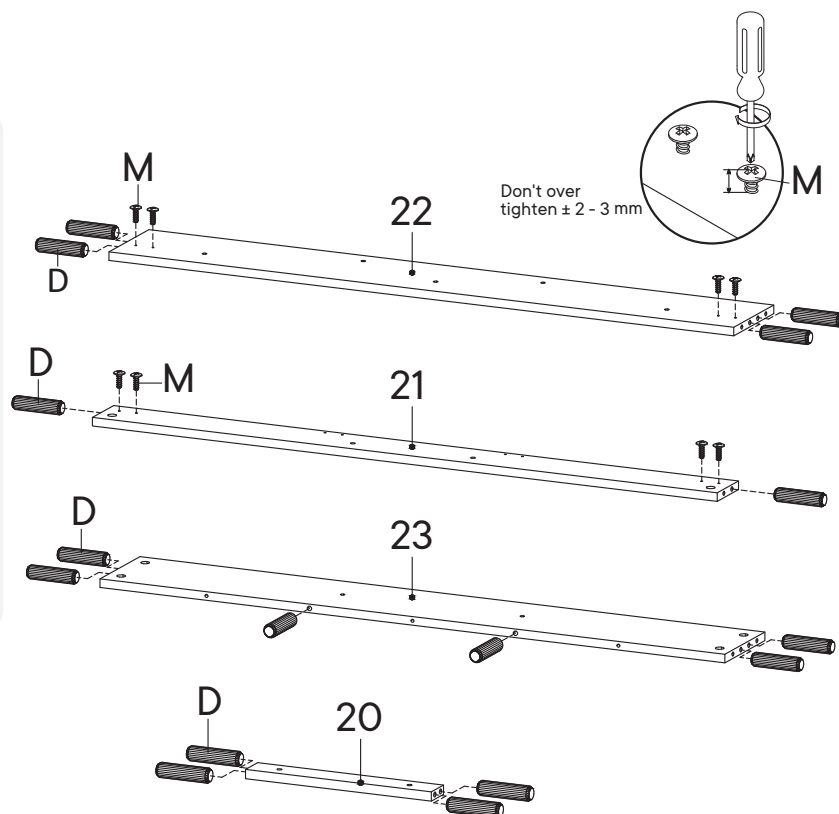
Step 5

HARDWARE

- D** Wood Dowel Ø8 x 30 mm x16
- M** Screw M 4.5 x 12.5 mm x8

COMPONENTS

- 20** Support Board 2 x1
- 21** Support Board 3 x1
- 22** Back Board 1 x1
- 23** Back Board 2 x1



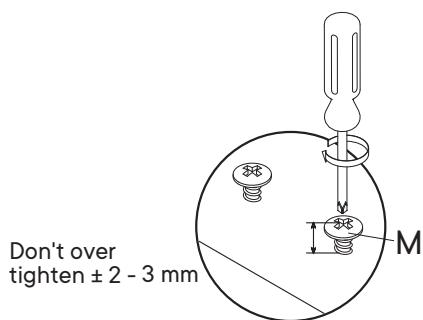
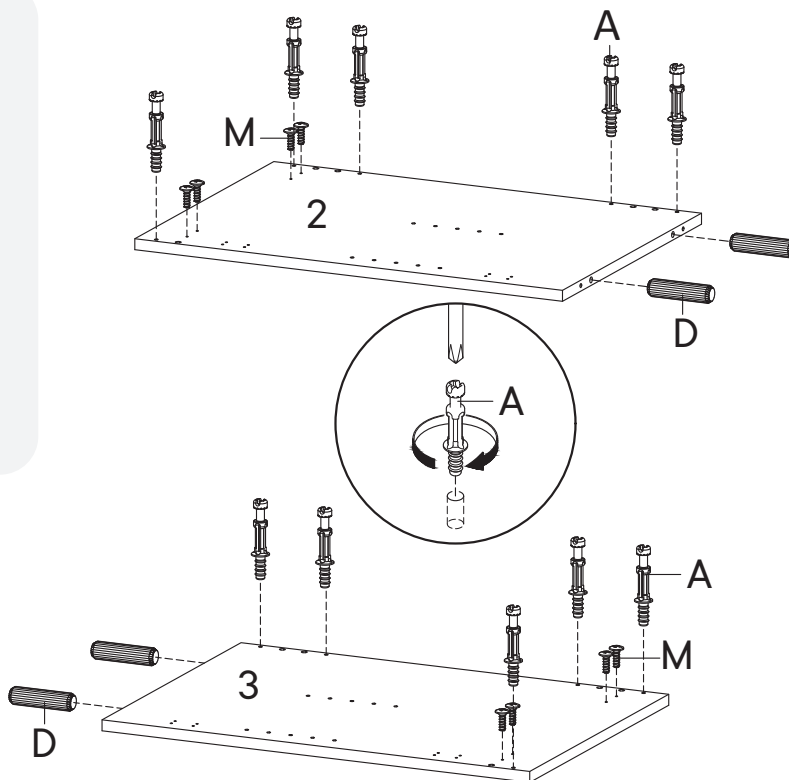
Step 6

HARDWARE

- A** Cam Bolt Ø6 x 35 mm x10
- D** Wood Dowel Ø8 x 30 mm x4
- M** Screw M 4.5 x 12.5 mm x8

COMPONENTS

- 2** Side Board Left x1
- 3** Side Board Right x1



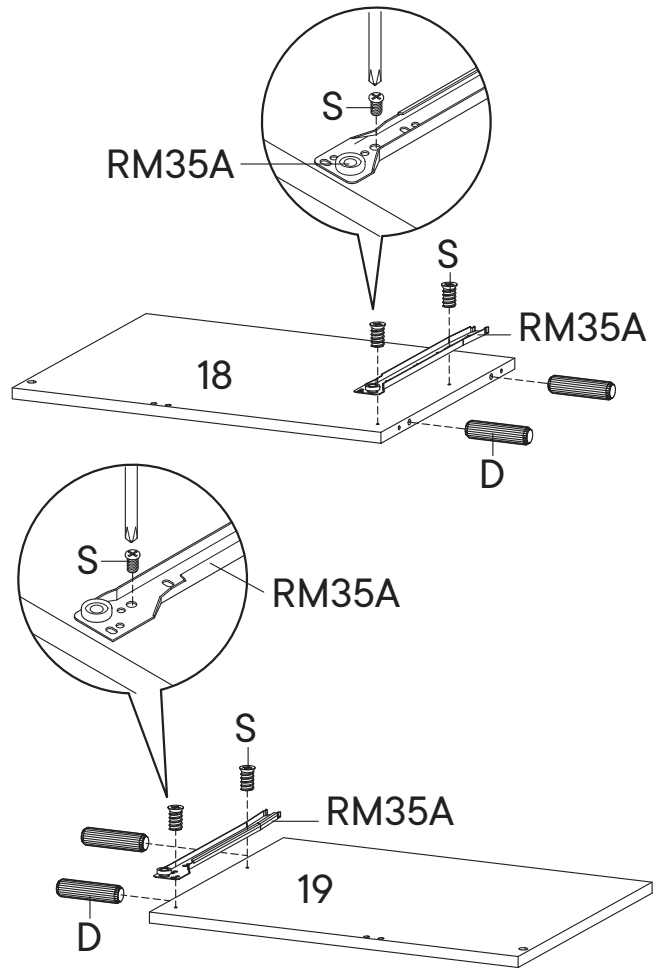
Step 7

HARDWARE

- D** Wood Dowel Ø8 x 30 mm x4
- S** Screw M 6 x 10.5 mm x4
- RM35A** Drawer Runner x1

COMPONENTS

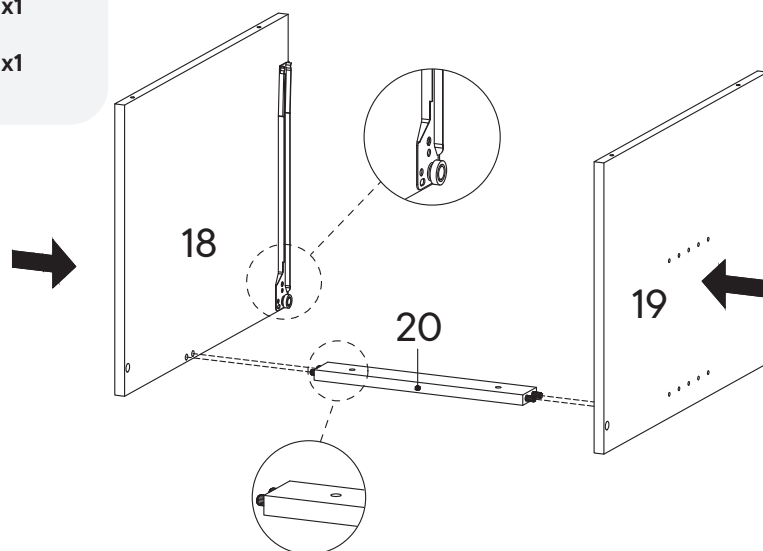
- 18** Center Board Left x1
- 19** Center Board Right x1



Step 8

COMPONENTS

- 18** Center Board Left x1
- 19** Center Board Right x1
- 20** Support Board 2 x1



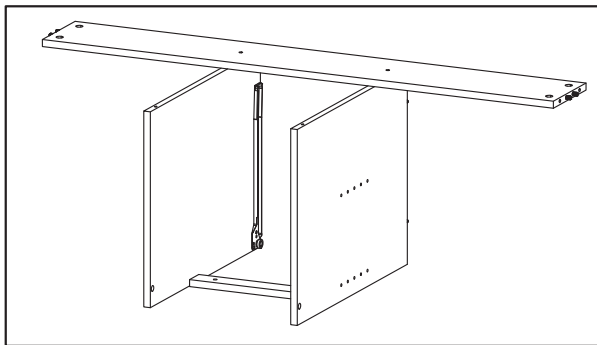
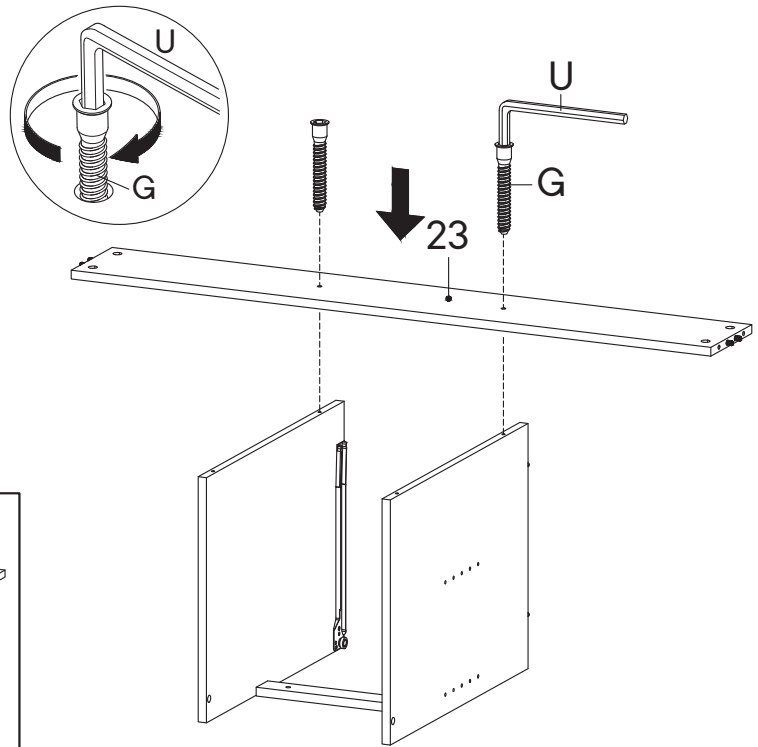
Step 9

HARDWARE

- G** Screw M 7 x 50 mm x2
- U** Allen Key x1

COMPONENTS

- 23** Back Board 2 x1



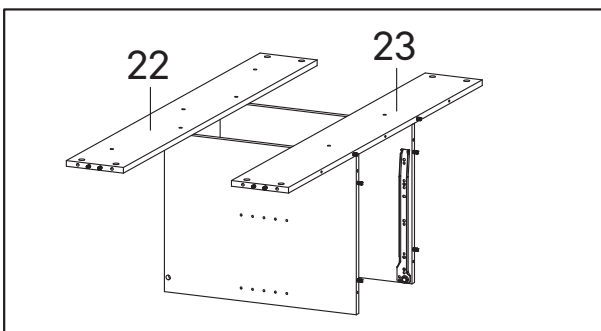
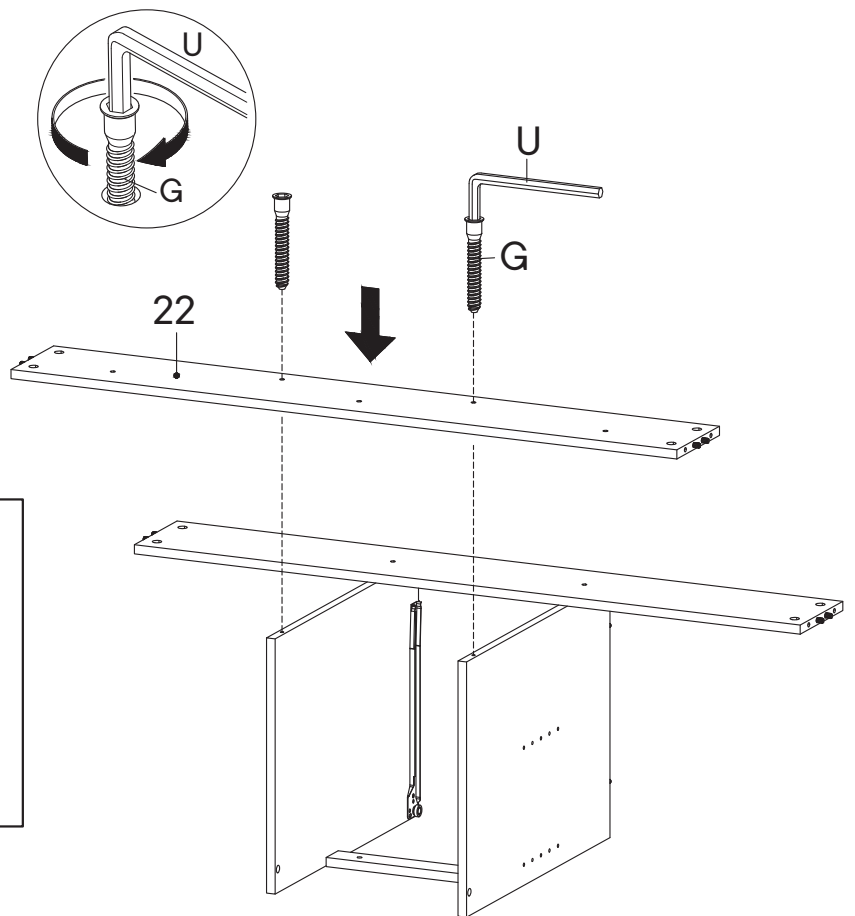
Step 10

HARDWARE

- G** Screw M 7 x 50 mm x2
- U** Allen Key x1

COMPONENTS

- 22** Back Board 1 x1



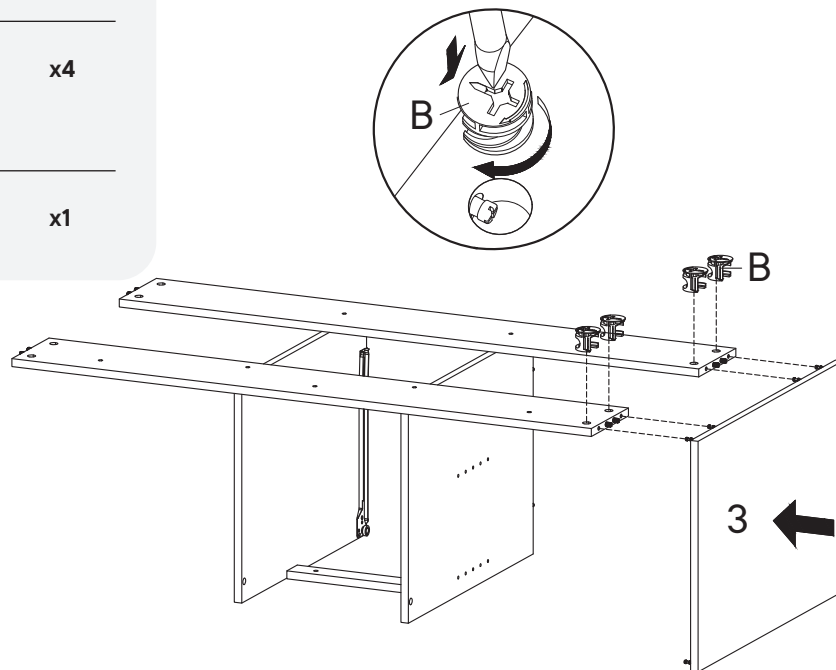
Step 11

HARDWARE

B Cam Lock Ø15 mm x4

COMPONENTS

3 Side Board Right x1



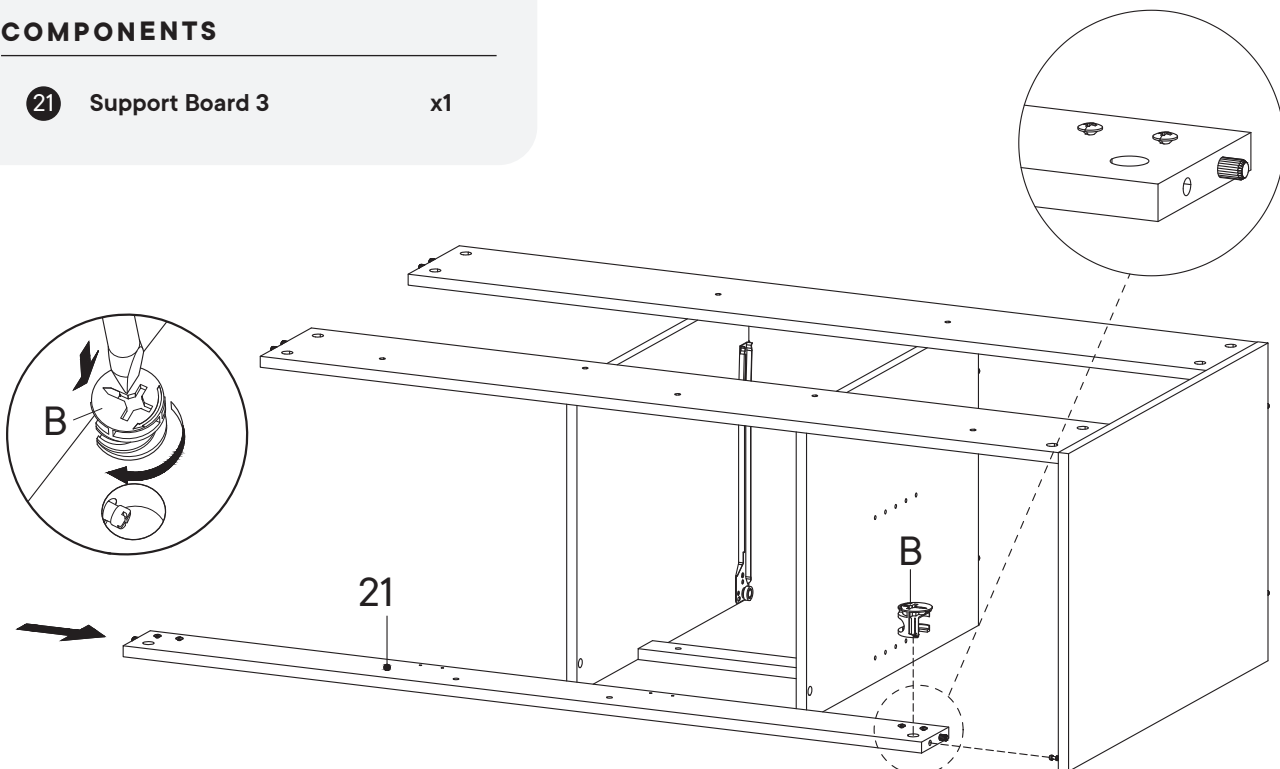
Step 12

HARDWARE

B Cam Lock Ø15 mm x1

COMPONENTS

21 Support Board 3 x1



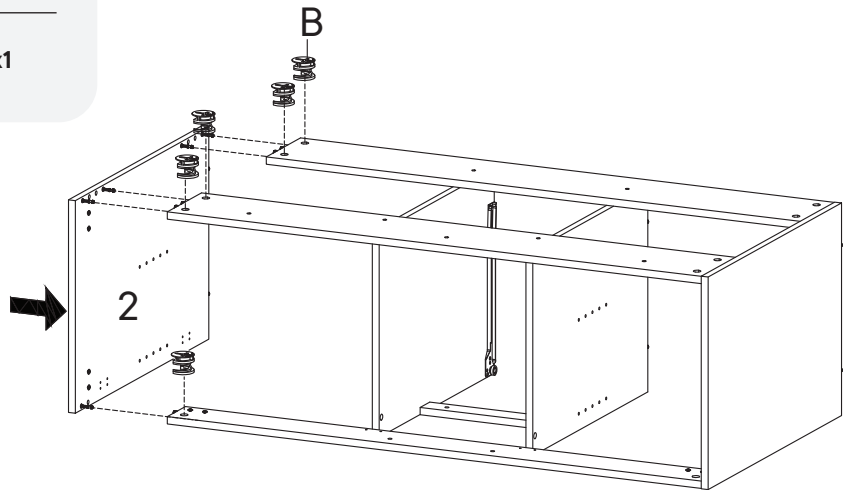
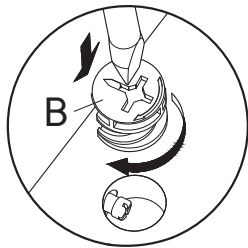
Step 13

HARDWARE

B Cam Lock Ø15 mm x5

COMPONENTS

2 Side Board Left x1



Step 14

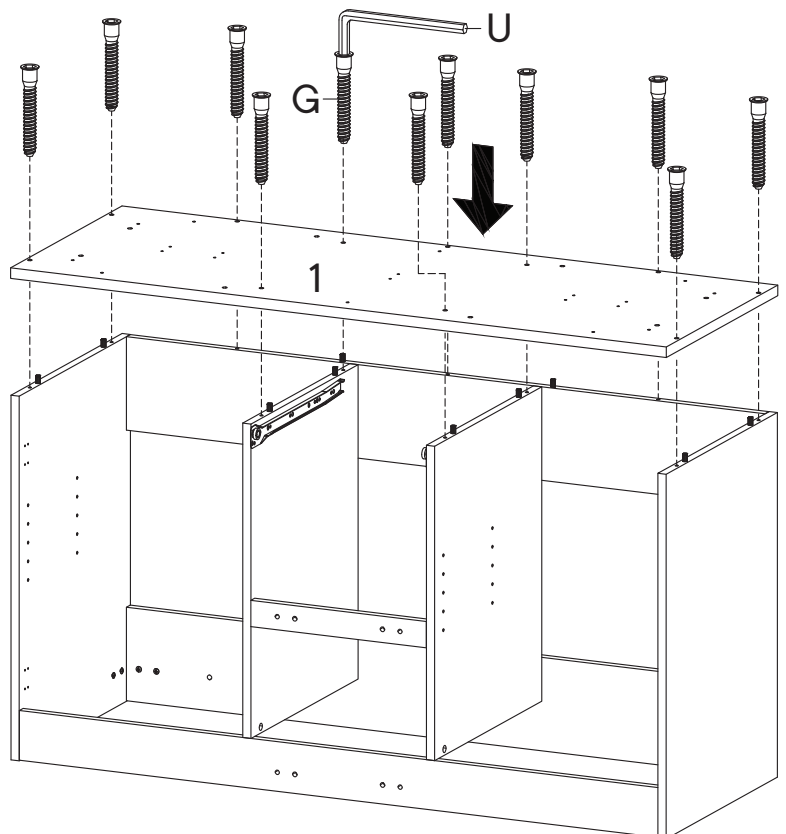
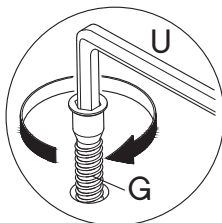
HARDWARE

G Screw M 7 x 50 mm x11

U Allen Key x1

COMPONENTS

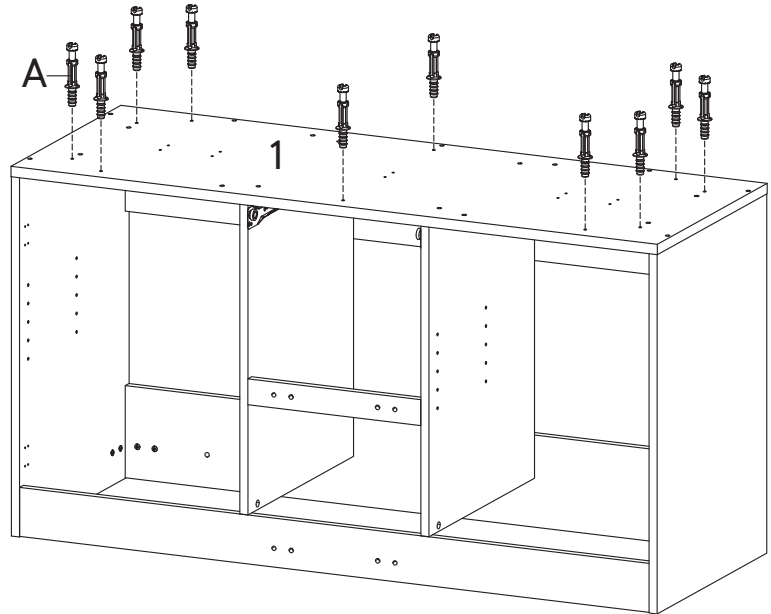
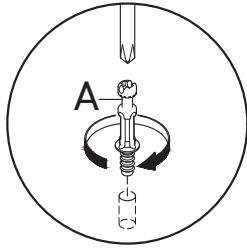
1 Bottom Board x1



Step 15

HARDWARE

- A** Cam Bolt $\varnothing 6 \times 35$ mm x10



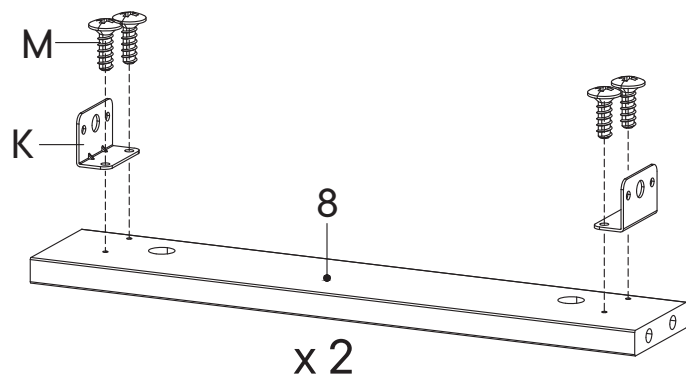
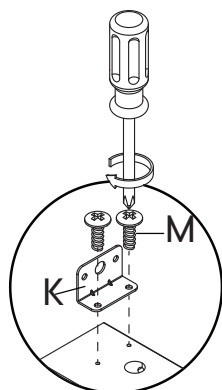
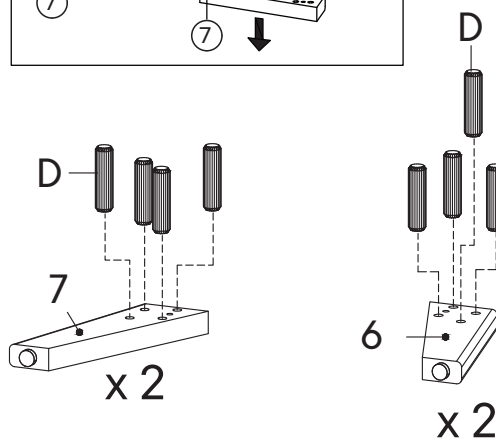
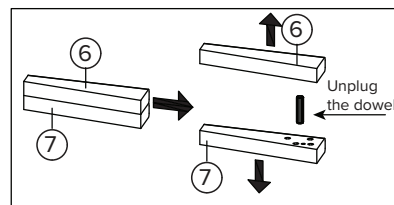
Step 16

HARDWARE

- D** Wood Dowel $\varnothing 8 \times 30$ mm x16
- M** Screw M 4.5 x 12.5 mm x8
- K** Bracket x4

COMPONENTS

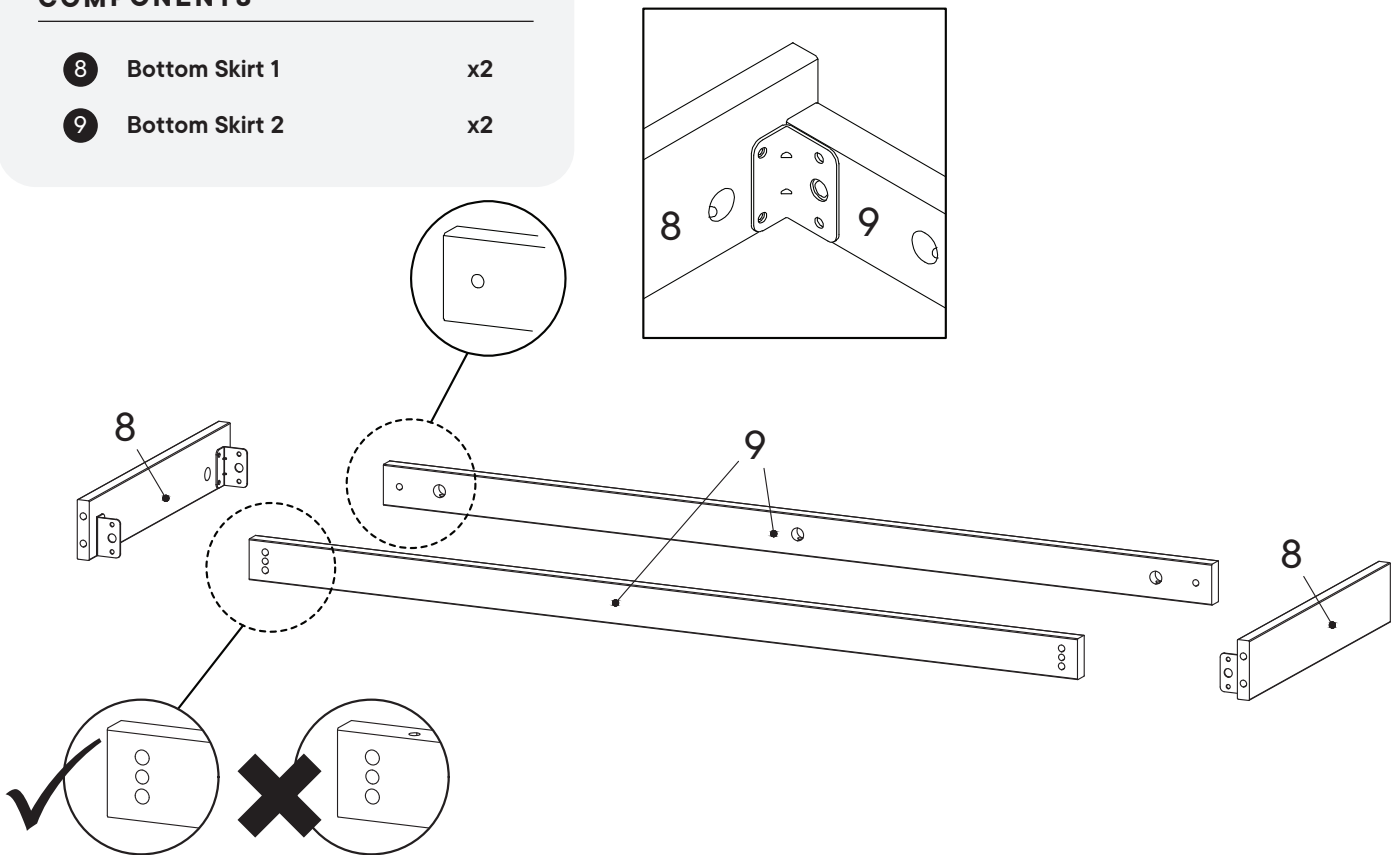
- 6** Leg 1 x2
- 7** Leg 2 x2
- 8** Bottom Skirt 1 x2



Step 17

COMPONENTS

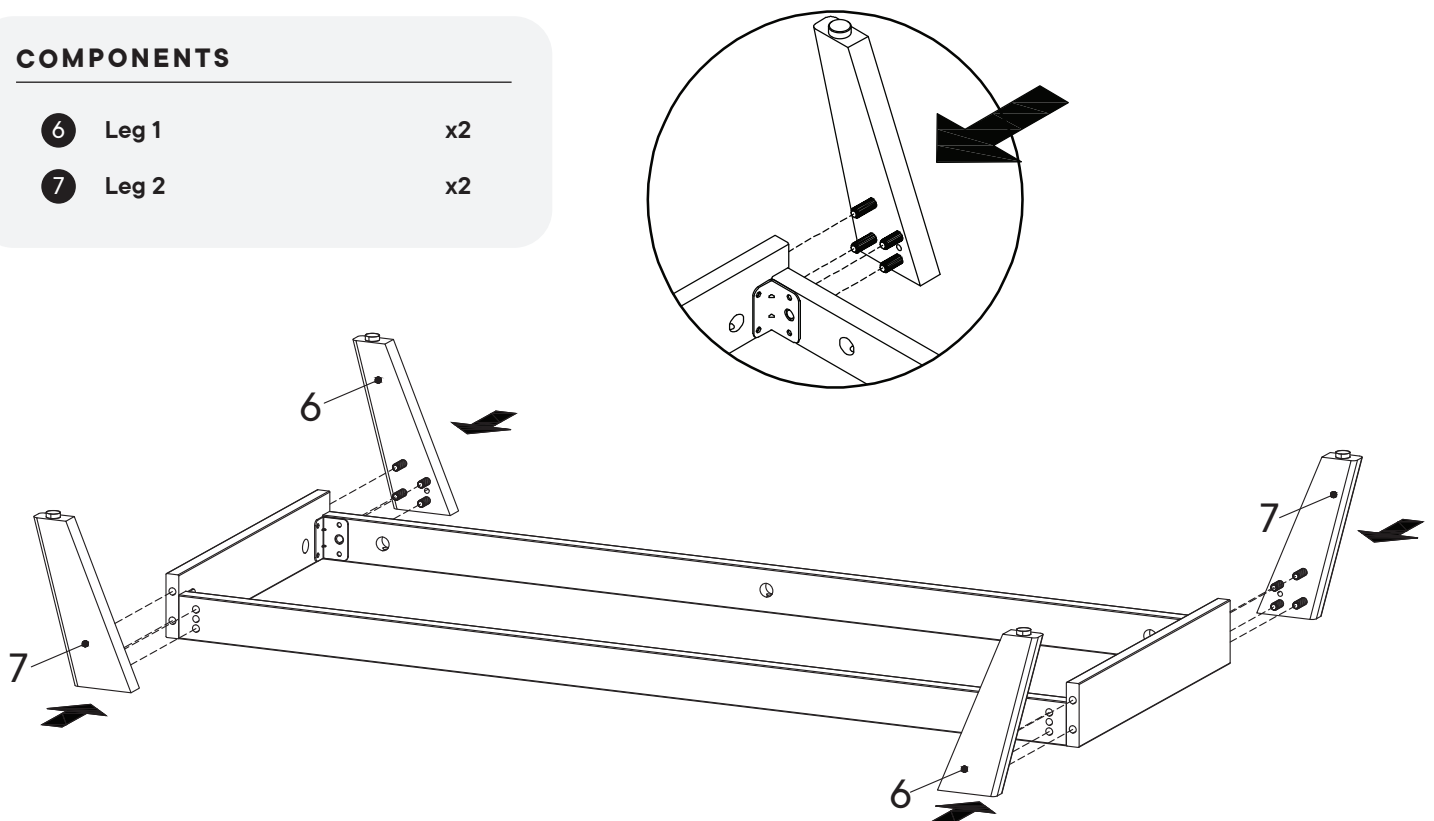
- 8 Bottom Skirt 1 x2
- 9 Bottom Skirt 2 x2



Step 18

COMPONENTS

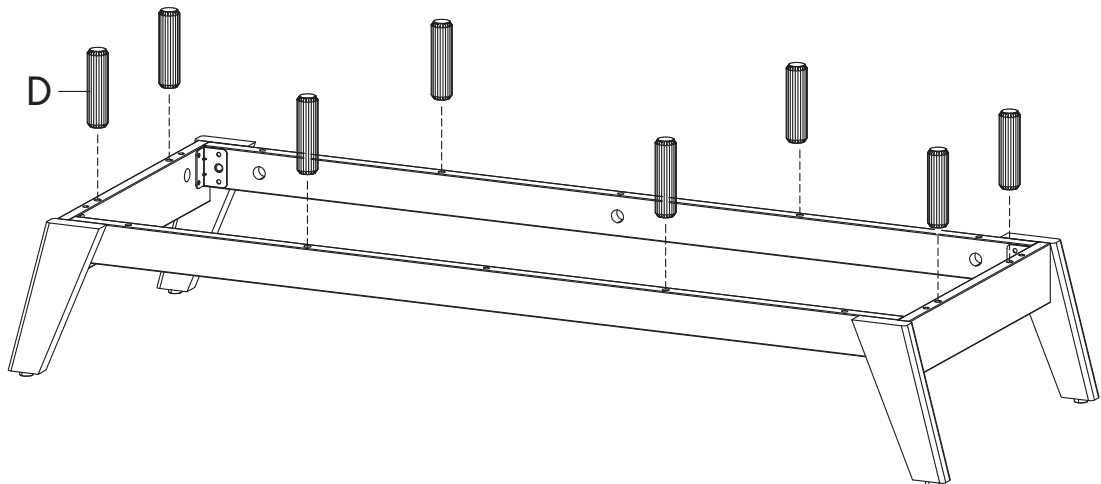
- 6 Leg 1 x2
- 7 Leg 2 x2



Step 19

HARDWARE

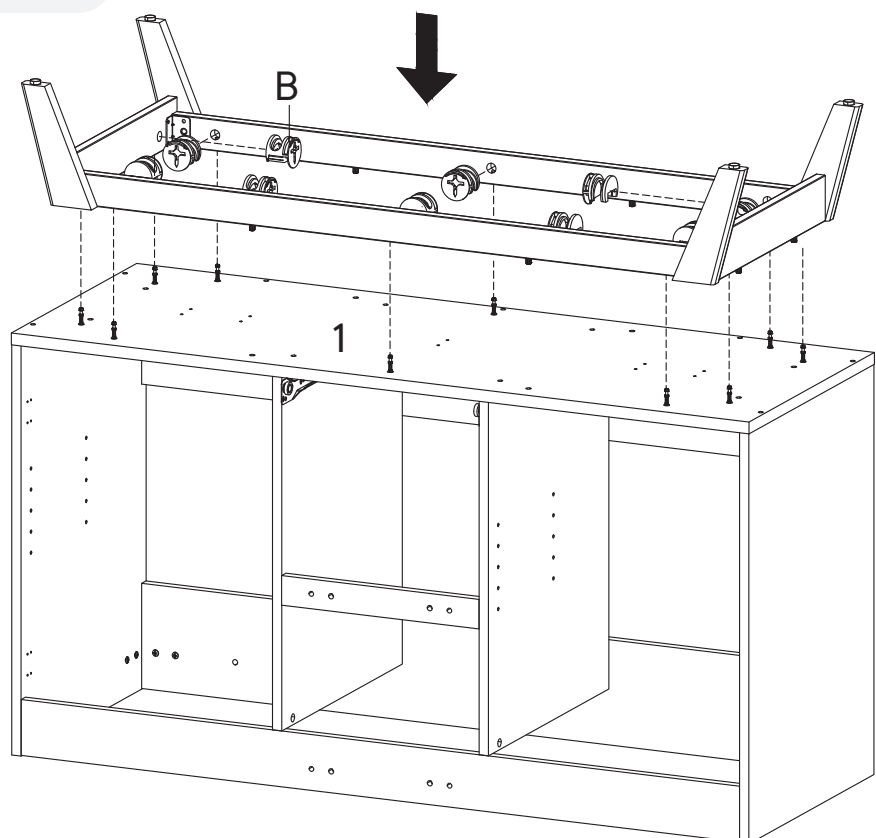
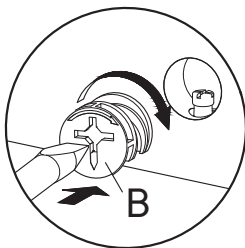
D Wood Dowel $\varnothing 8 \times 30$ mm x8



Step 20

HARDWARE

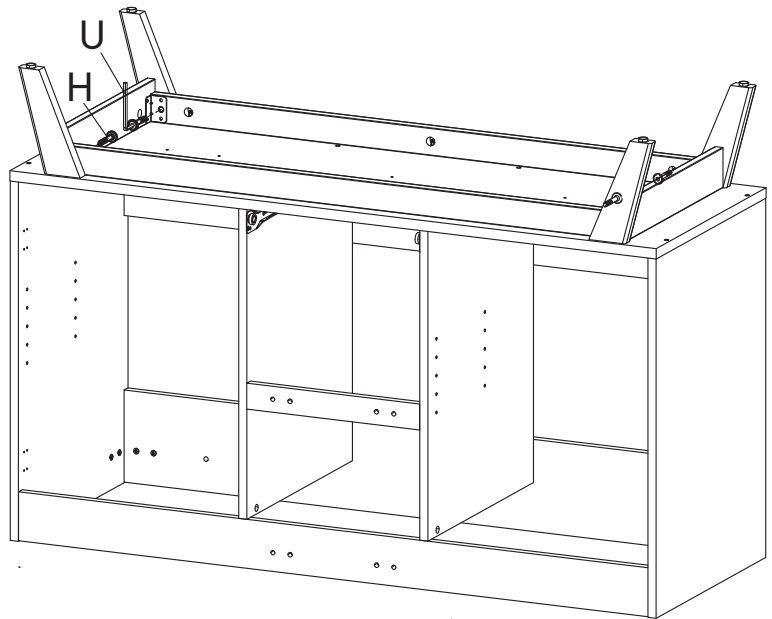
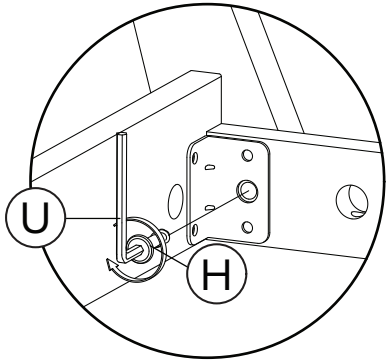
B Cam Lock $\varnothing 15$ mm x10



Step 21

HARDWARE

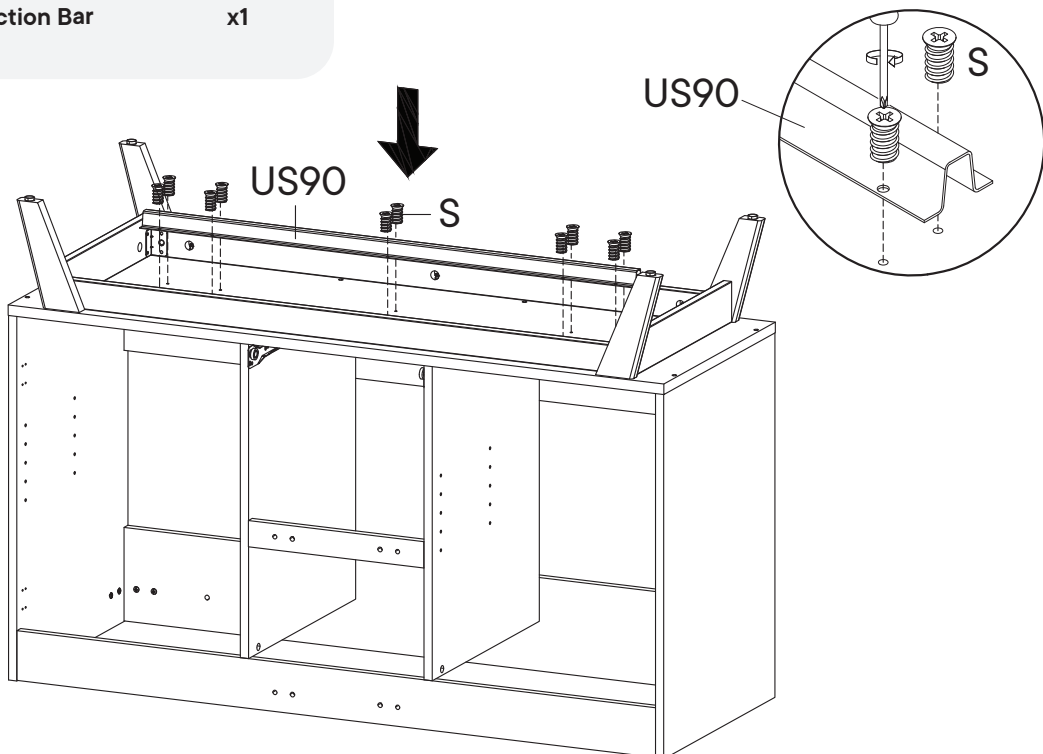
- H** Screw M 6.4 x 35 mm x4
- U** Allen Key x1



Step 22

HARDWARE

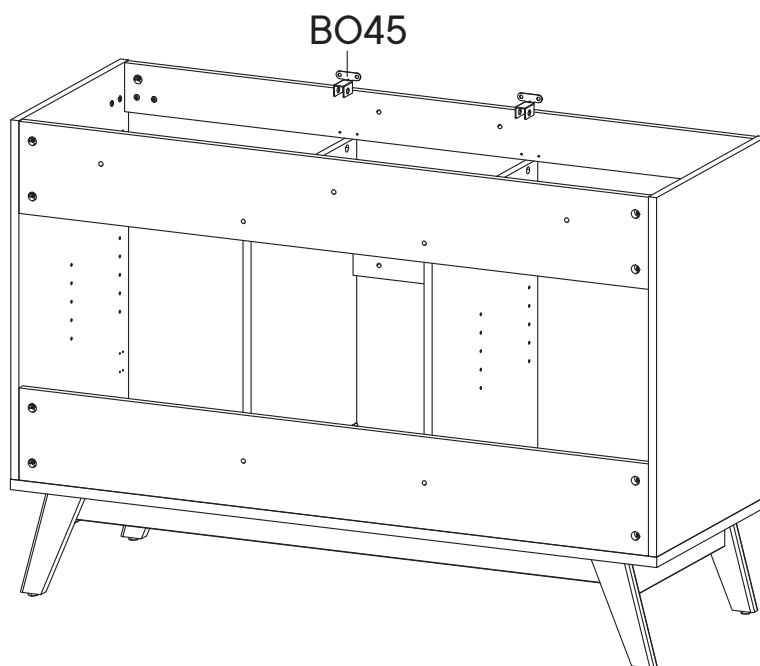
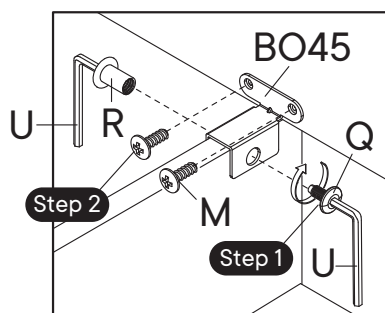
- S** Screw M 6 x 10.5 mm x10
- US90** Anti Deflection Bar x1



Step 23

HARDWARE

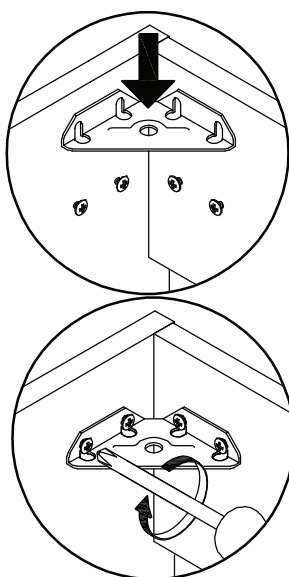
- M** Screw M 4.5 x 12.5 mm x4
- U** Allen Key x2
- Q** Screw M 6 x 15 mm x2
- R** JCN Nut x2
- BO45** Bracket x2



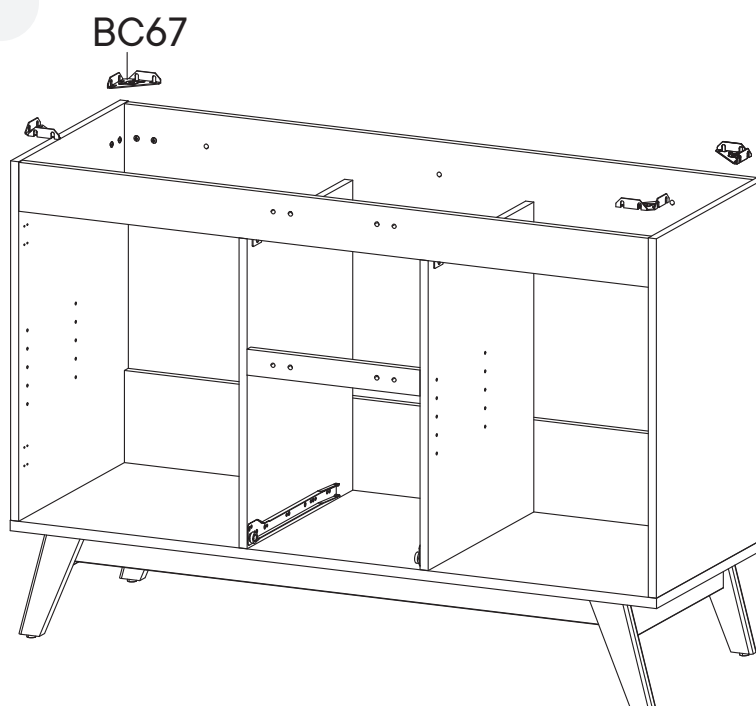
Step 24

HARDWARE

- BC67** Bracket x4



NOTE :
Tighten all the screw



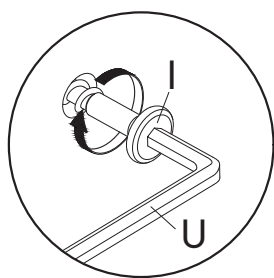
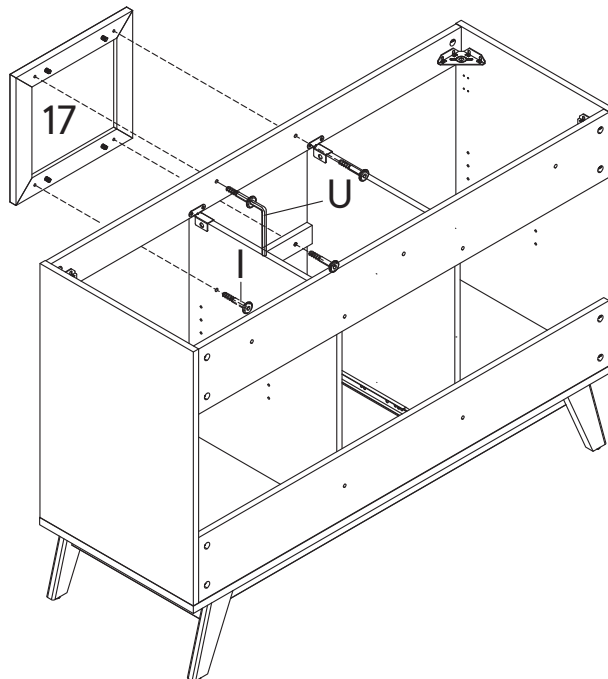
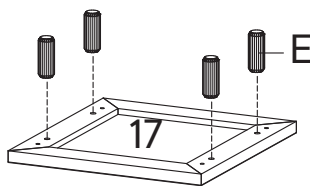
Step 25

HARDWARE

- E** Wood Dowel Ø8 x 20 mm x4
- I** Screw M 6.4 x 25 mm x4
- U** Allen Key x1

COMPONENTS

- 17** Fake Front Drawer x1



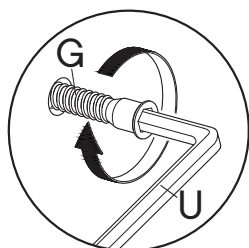
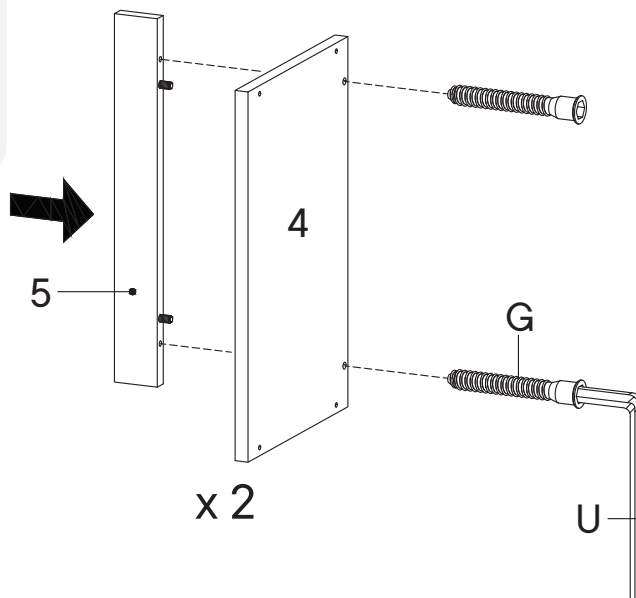
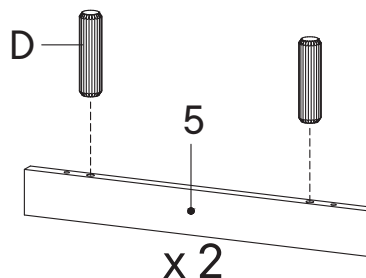
Step 26

HARDWARE

- D** Wood Dowel Ø8 x 30 mm x4
- G** Screw M 7 x 50 mm x4
- U** Allen Key x1

COMPONENTS

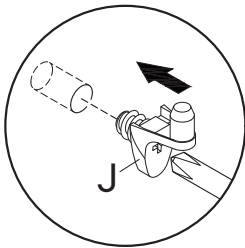
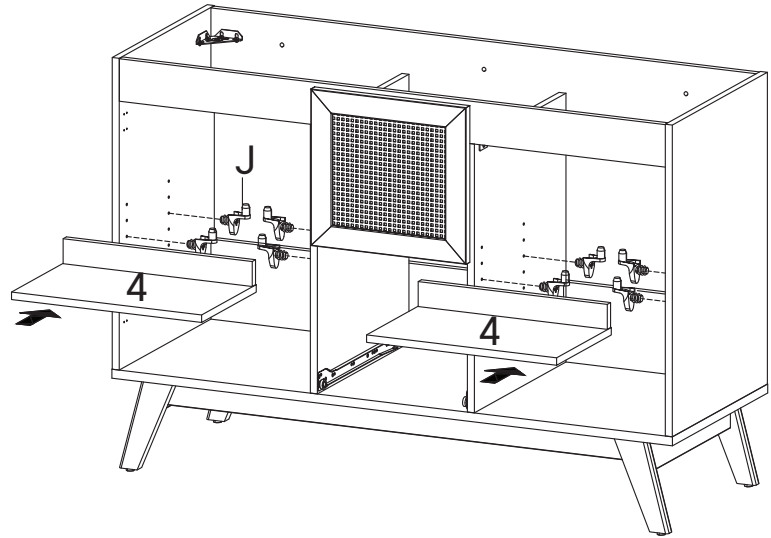
- 4** Adjustable Shelf x2
- 5** Support Board 1 x2



Step 27

HARDWARE

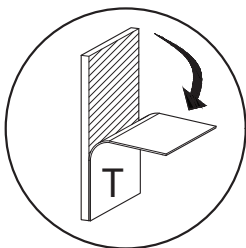
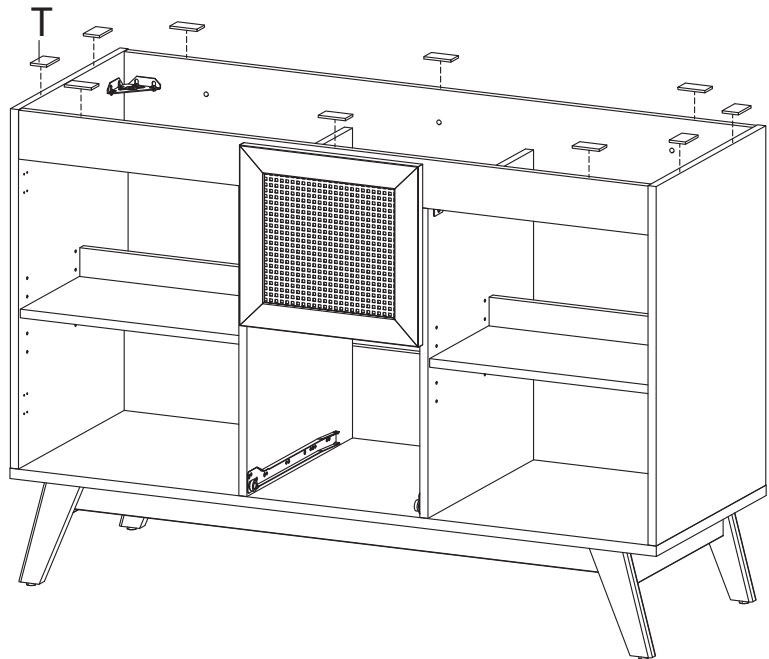
J Shelf Support x8



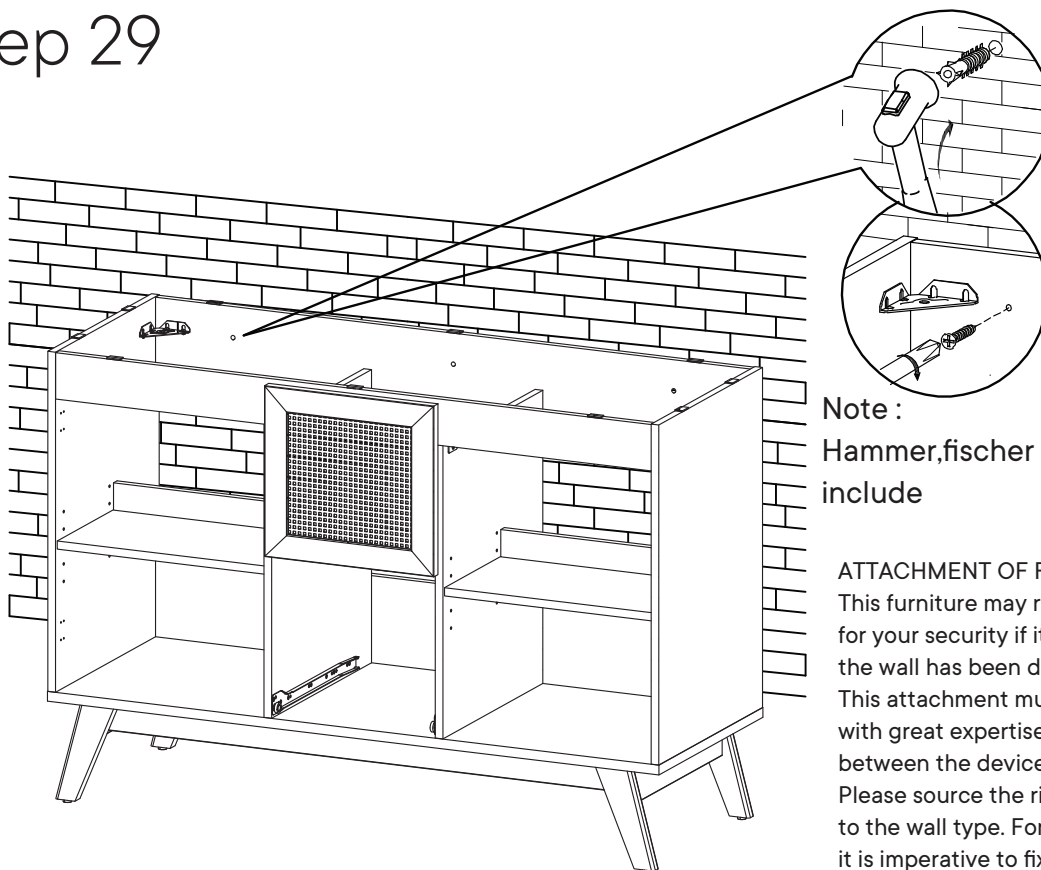
Step 28

HARDWARE

T Foam/Rubber Pad x10



Step 29

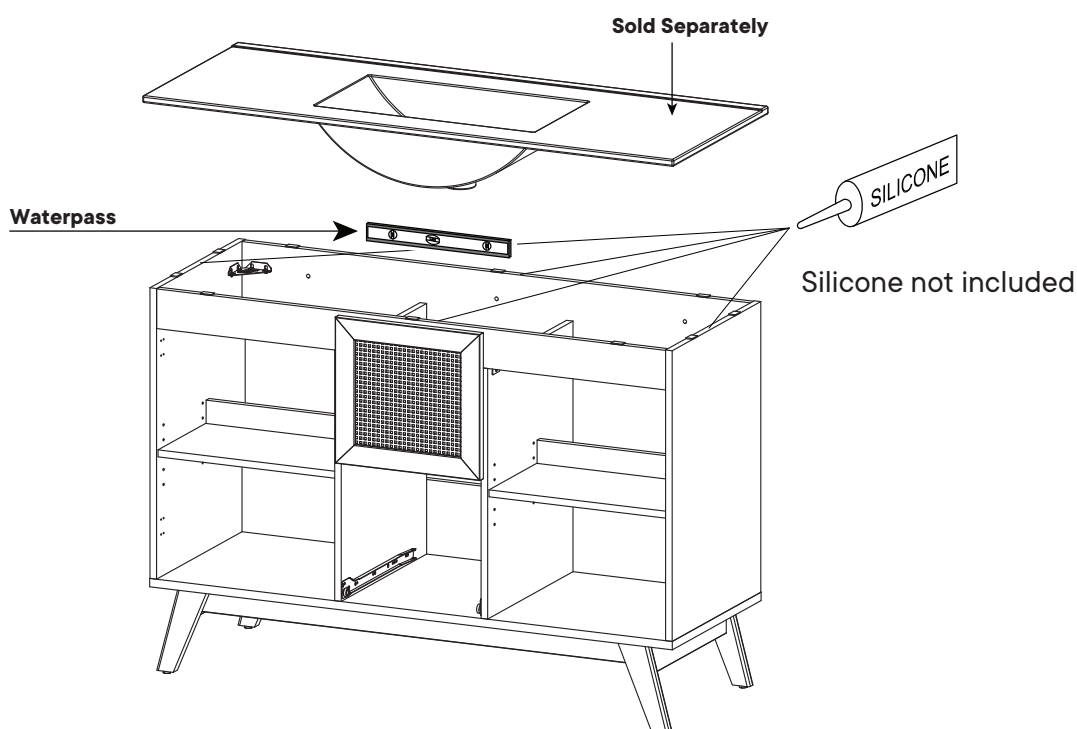


Note :
Hammer, fischer and screw not include

ATTACHMENT OF FURNITURE
This furniture may represent a danger for your security if its attachment on the wall has been done in an incorrect way. This attachment must be done by a person with great expertise who will make sure adequacy between the device of fixing and the wall. Please source the right fitting according to the wall type. For your safety, it is imperative to fix your furniture to the wall

Step 30

Apply a thin bead of silicone compound around the vanity base and set the vanity top carefully in place. Remove any excess silicone compound with a wet rag



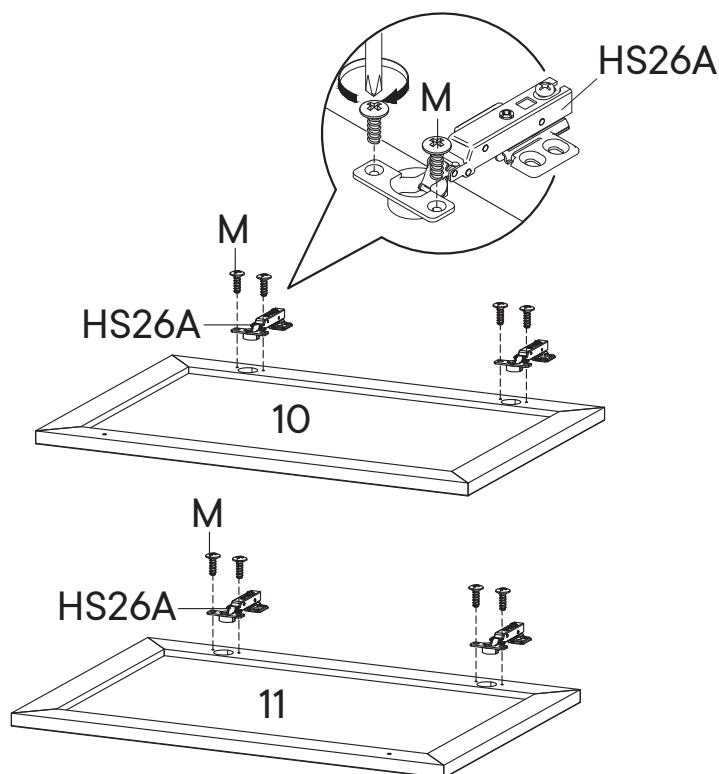
Step 31

HARDWARE

- M** Screw M 4.5 x 12.5 mm x8
- HS26A** Hinge x4

COMPONENTS

- 10** Door Left x1
- 11** Door Right x1



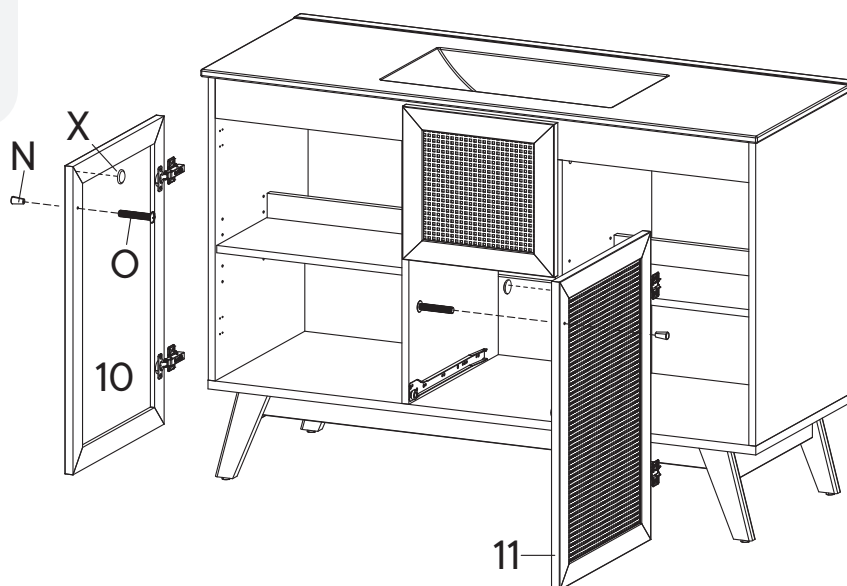
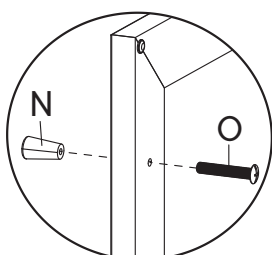
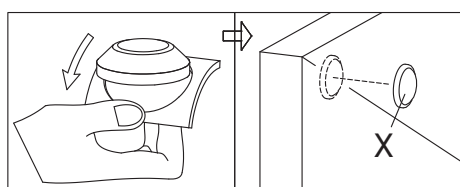
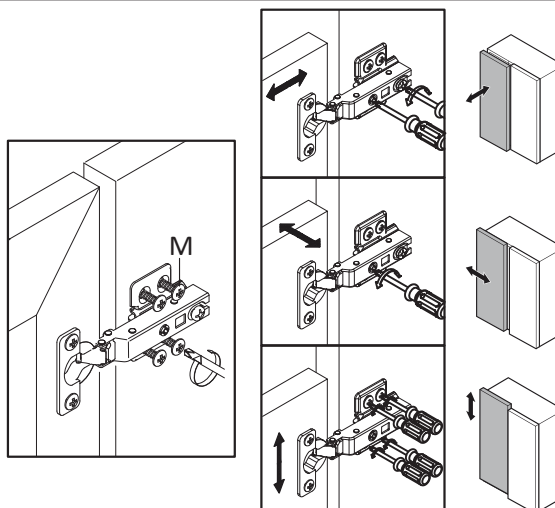
Step 32

HARDWARE

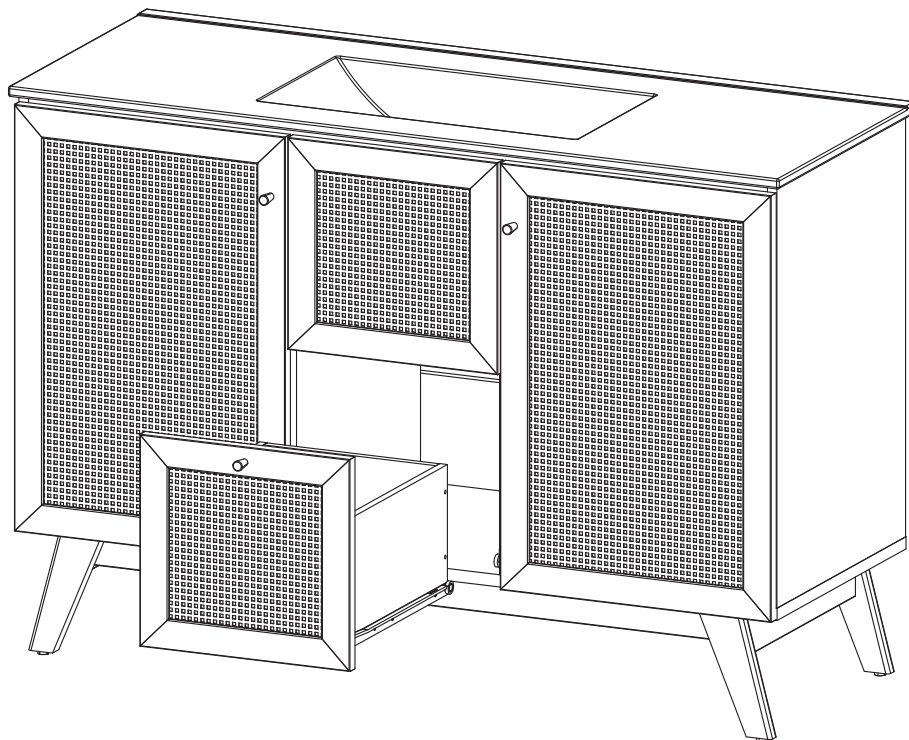
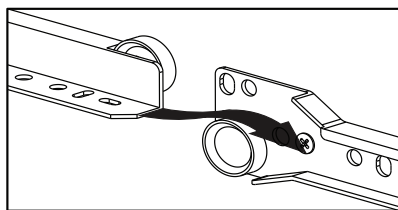
- M** Screw M 4.5 x 12.5 mm x16
- N** Handle x2
- O** Screw M 4 x 25 mm x2
- X** Silicon Bumper x2

COMPONENTS

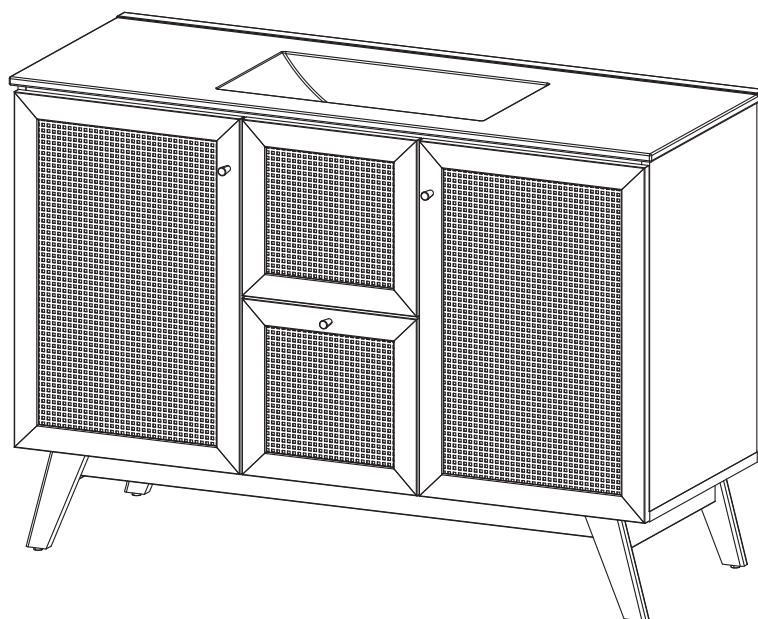
- 10** Door Left x1
- 11** Door Right x1



Step 33



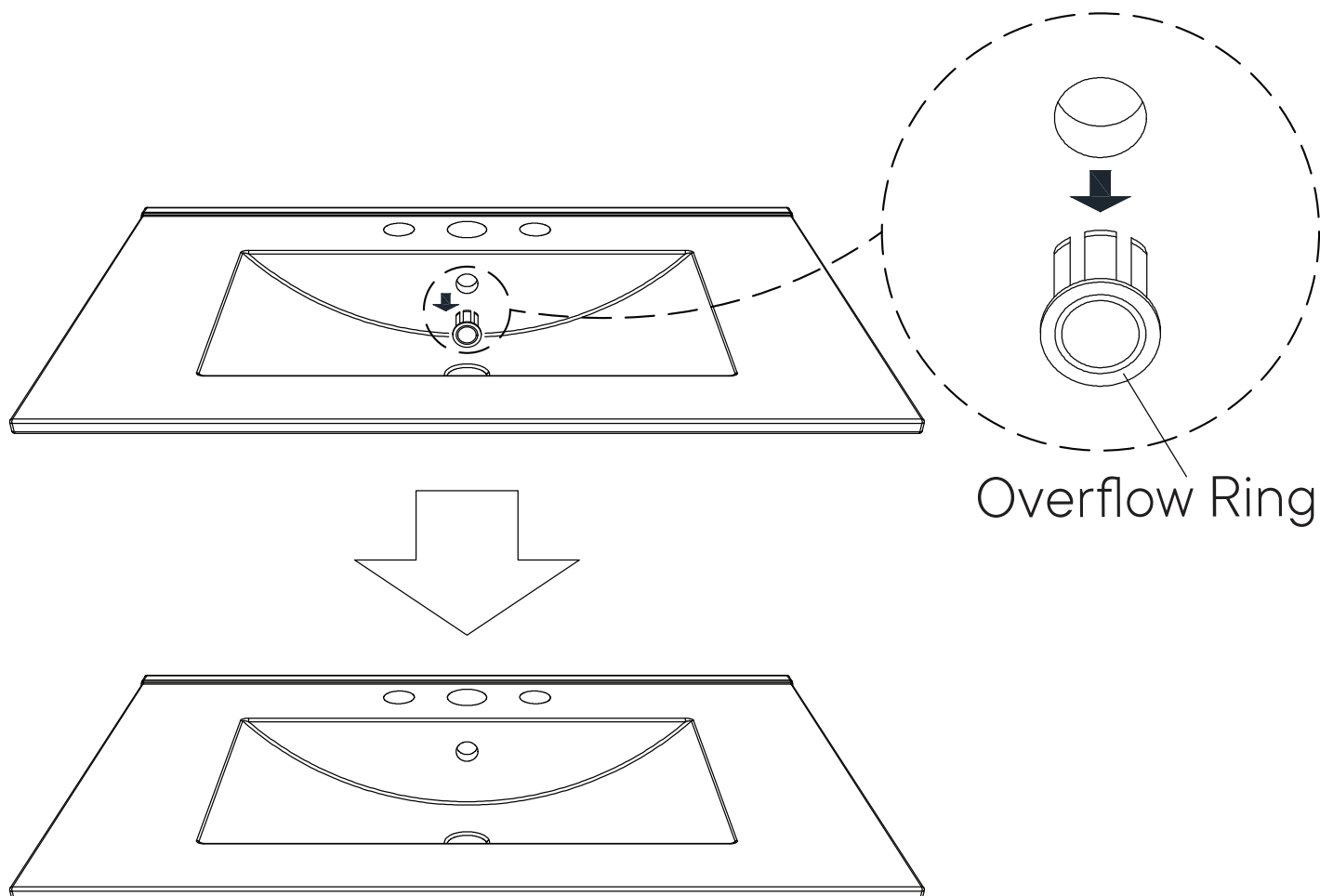
Step 34



A quick note...

*modway

Your sink basin comes complete with a silver overflow ring.
If you'd like to remove this overflow ring, you can do so by hand.



Wait!

Missing parts or hardware? Need assistance?

Contact us before returning your item. We're here to help!

609.256.9000 • cs@modway.com

Great job!

Cabinet assembly is complete.

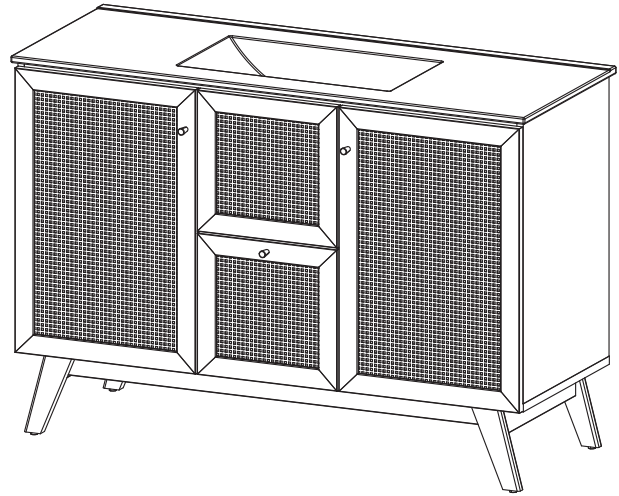
♥ CARING FOR YOUR ITEM

Indoor use only.

Not contract grade.

Clean using a non-abrasive cloth and a mild cleaner.

Never use harsh chemicals, as they could damage the finish or integrity of the item.



CONNECT WITH US!   

Tag us [@modway_furniture](#) and [#modway](#) for a chance to be featured.