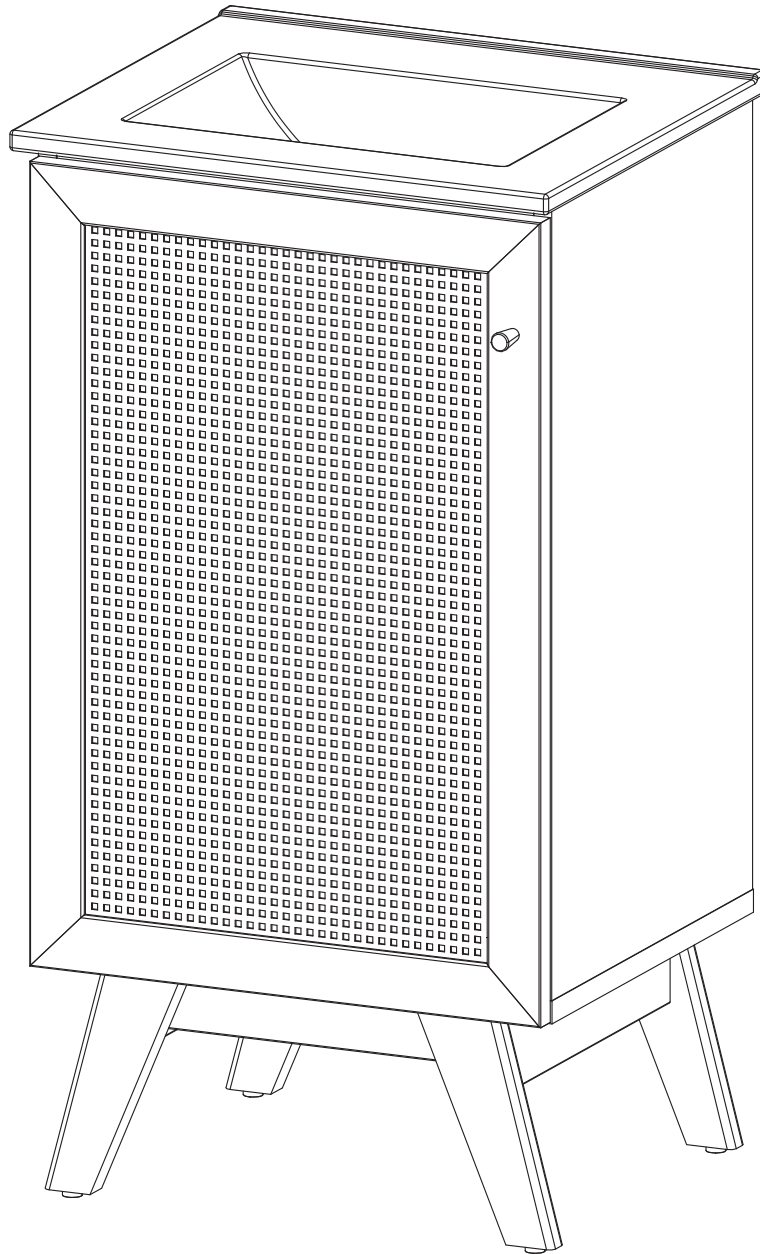


ASSEMBLY INSTRUCTIONS

EEI-6585

V0.02.28.23



Questions? Contact us!

609.256.9000 • cs@modway.com
www.modway.com

*modway

Let's get started!

*modway



Read through all of the instructions before starting



Care instructions are listed in the last step of this manual



Approx. 60 minutes assembly time



Make sure you have all parts and components before discarding any packing materials



2 people recommended for assembly

Only use hand tools to assemble this item. Do not use power tools. Do not tighten bolts or screws completely until all hardware is lined up and inserted into the holes.

Do not over-tighten screws and bolts to avoid stripping the hardware or cracking the item.

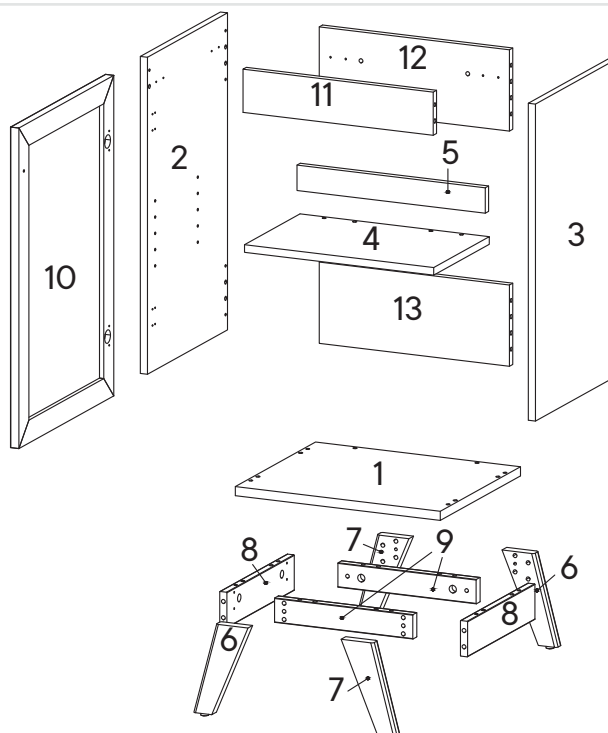
For vanity and plumbing installation, we suggest hiring a professional contractor and plumber.

Assemble your item on a flat, carpeted area, with plenty of space to work. This will prevent damage and scratches to your floors or the item while you're assembling the product.

Keep all components and packaging out of reach of children or animals to avoid risk of choking or suffocation.

Furniture components:

1	Bottom Board	x1	11	Support Board 2	x1
2	Side Board Left	x1	12	Back Board 1	x1
3	Side Board Right	x1	13	Back Board 2	x1
4	Adjustable Shelf	x1			
5	Support Board 1	x1			
6	Leg 1	x2			
7	Leg 2	x2			
8	Bottom Skirt 1	x2			
9	Bottom Skirt 2	x2			
10	Door	x1			



Provided hardware:

A		Cam Bolt $\varnothing 6 \times 35$ mm	x18	J		Foam/Rubber Pad	x8
B		Cam Lock $\varnothing 15$ mm	x18	K		Silicon Bumper	x1
C		Wood Dowel $\varnothing 8 \times 30$ mm	x42	L		Bracket	x4
D		Screw M 7 x 50 mm	x6	M		Allen Key	x2
E		Shelf Support	x4	BC67		Bracket	x4
F		Handle	x1	HS26A		Hinge	x2
G		Screw M 4 x 25 mm	x1				
H		Screw M 6.4 x 35 mm	x4				
I		Screw M 4.5 x 12.5 mm	x36				

What you need:

Phillips Head Screwdriver

You may also need:

- + Power Drill
- + Level
- + Silicone Adhesive or Caulk
- + Drywall Anchors and Screws
- + Other Wall-Mounting Hardware

Wait!

Missing parts or hardware? Need assistance?
Contact us before returning your item. We're here to help!
609.256.9000 • cs@modway.com

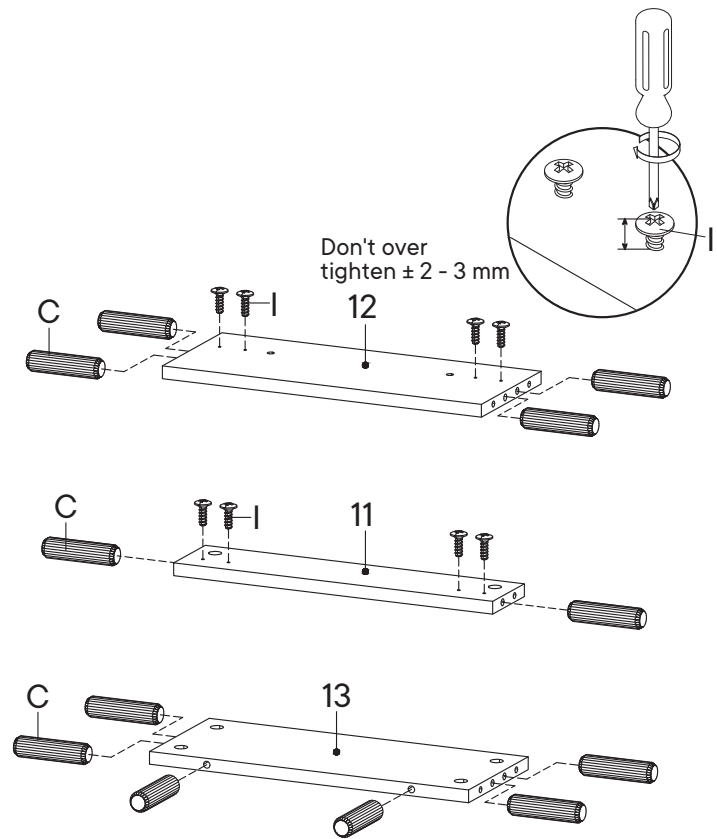
Step 1

HARDWARE

- C** Wood Dowel Ø8 x 30 mm x12
- I** Screw M 4.5 x 12.5 mm x8

COMPONENTS

- 11** Support Board 2 x1
- 12** Back Board 1 x1
- 13** Back Board 2 x1



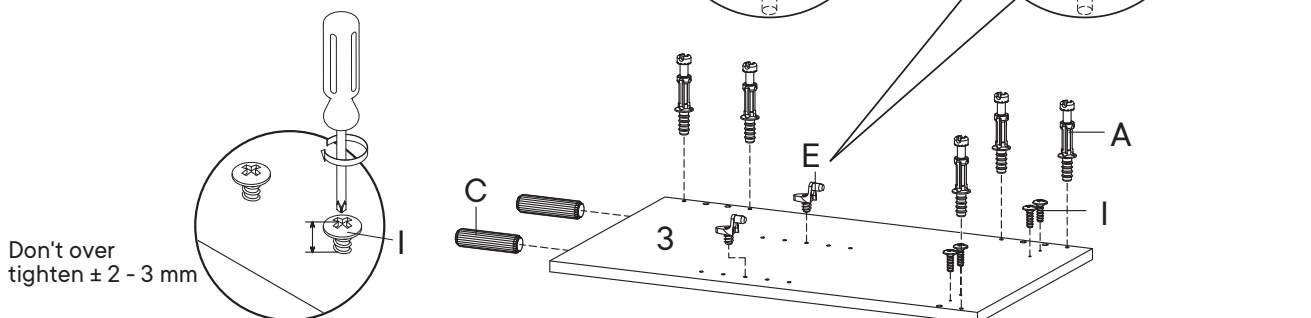
Step 2

HARDWARE

- A** Cam Bolt Ø6 x 35 mm x10
- C** Wood Dowel Ø8 x 30 mm x4
- E** Shelf Support x4
- I** Screw M 4.5 x 12.5 mm x8

COMPONENTS

- 2** Side Board Left x1
- 3** Side Board Right x1



Step 3

HARDWARE

B Cam Lock Ø15 mm x5

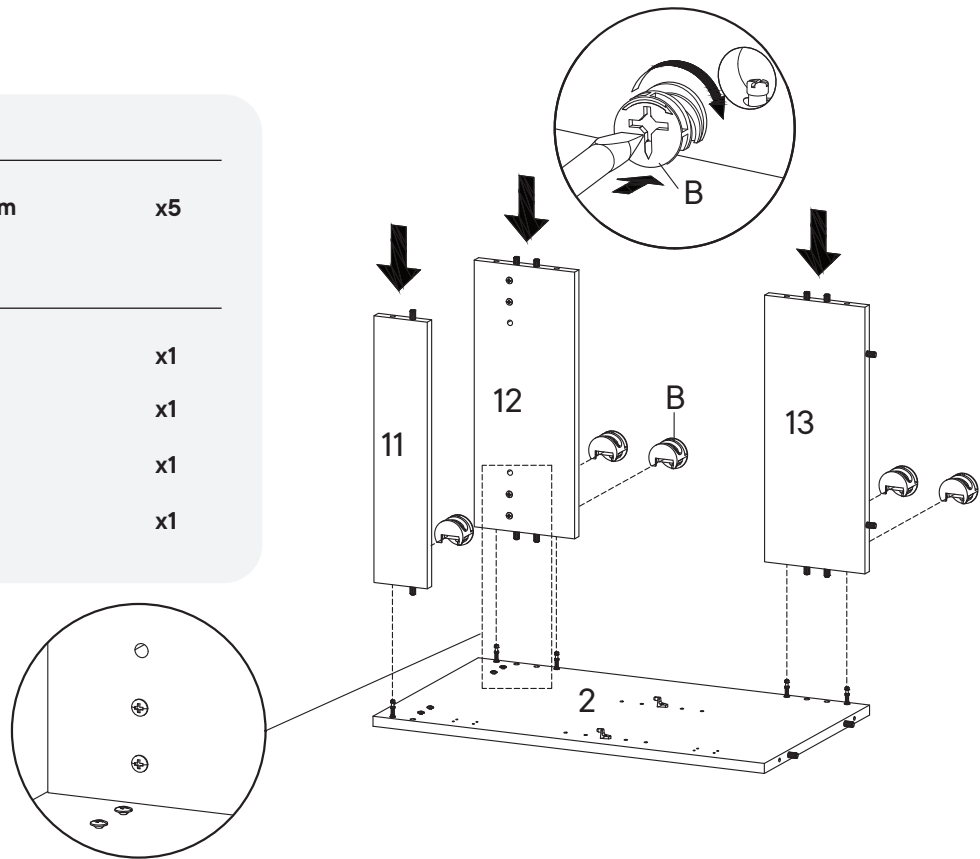
COMPONENTS

2 Side Board Left x1

11 Support Board 2 x1

12 Back Board 1 x1

13 Back Board 2 x1



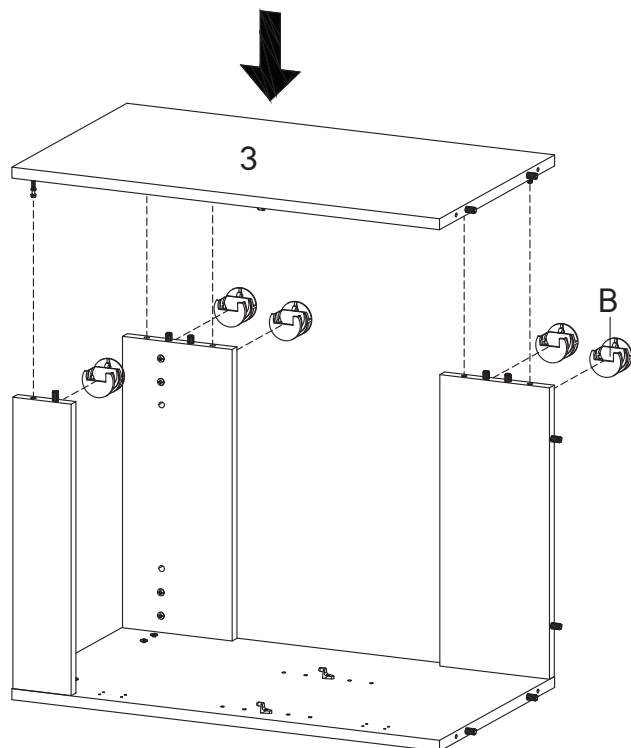
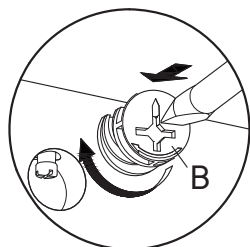
Step 4

HARDWARE

B Cam Lock Ø15 mm x5

COMPONENTS

3 Side Board Right x1



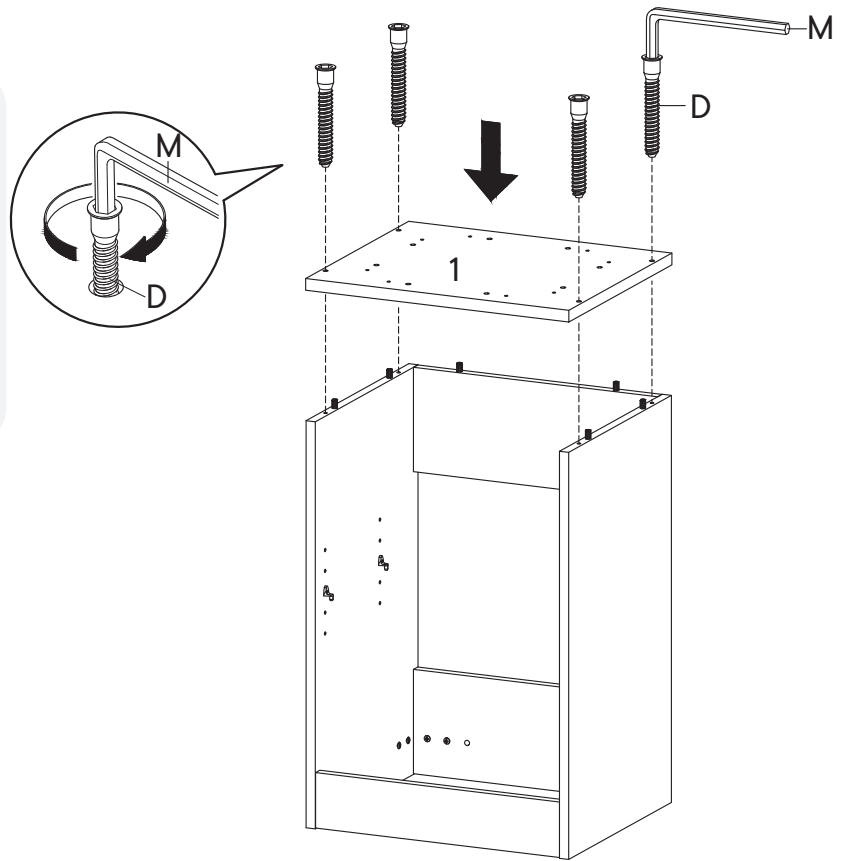
Step 5

HARDWARE

- D** Screw M 7 x 50 mm x4
- M** Allen Key x1

COMPONENTS

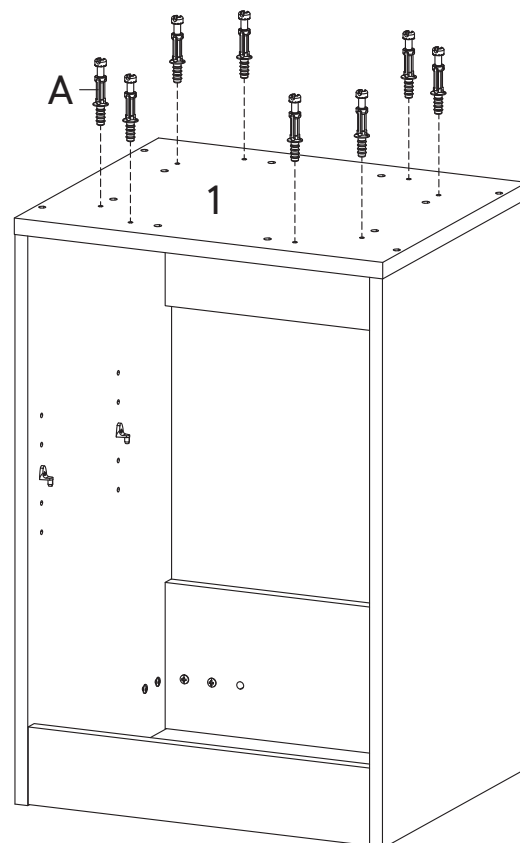
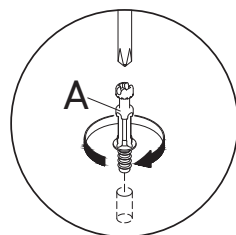
- 1** Bottom Board x1



Step 6

HARDWARE

- A** Cam Bolt $\varnothing 6$ x 35 mm x8



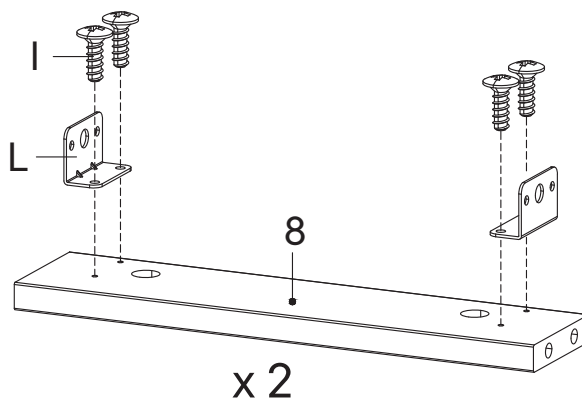
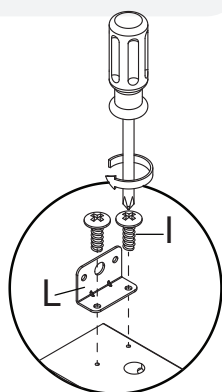
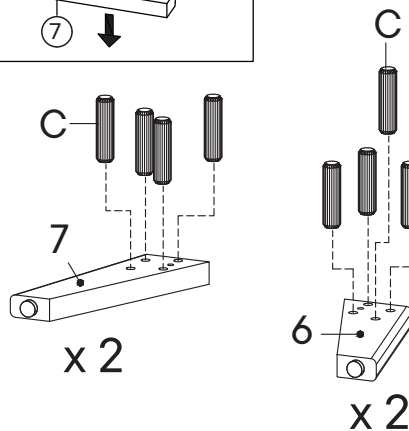
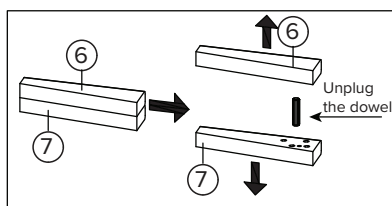
Step 7

HARDWARE

- C** Wood Dowel Ø8 x 30 mm x16
- I** Screw M 4.5 x 12.5 mm x8
- L** Bracket x4

COMPONENTS

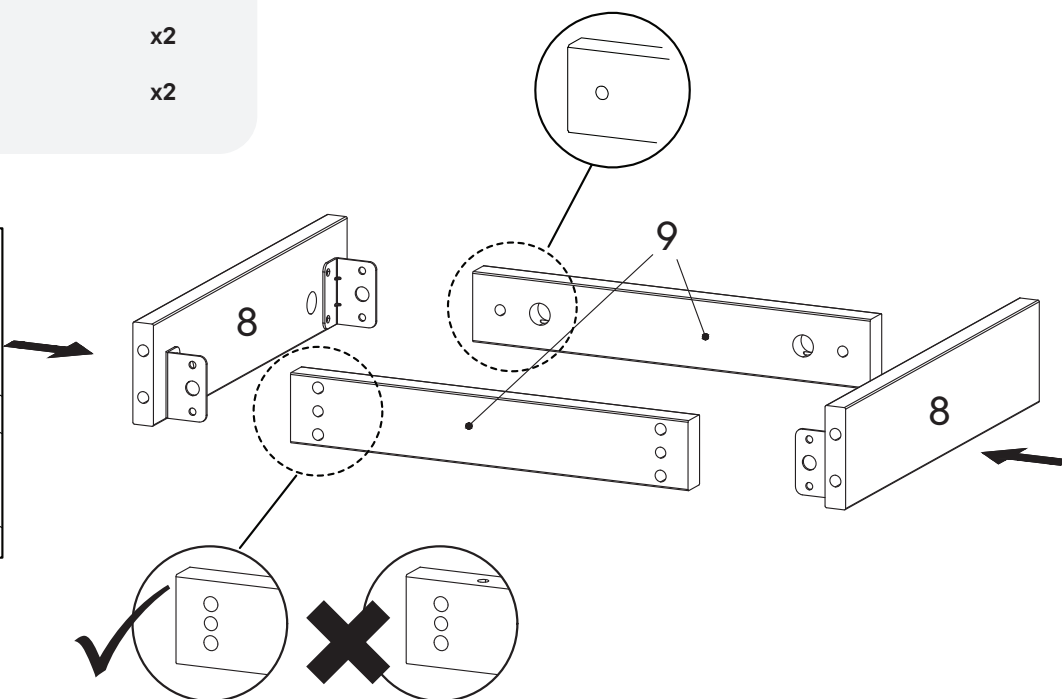
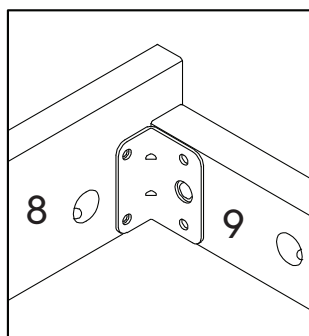
- 6** Leg 1 x2
- 7** Leg 2 x2
- 8** Bottom Skirt 1 x2



Step 8

COMPONENTS

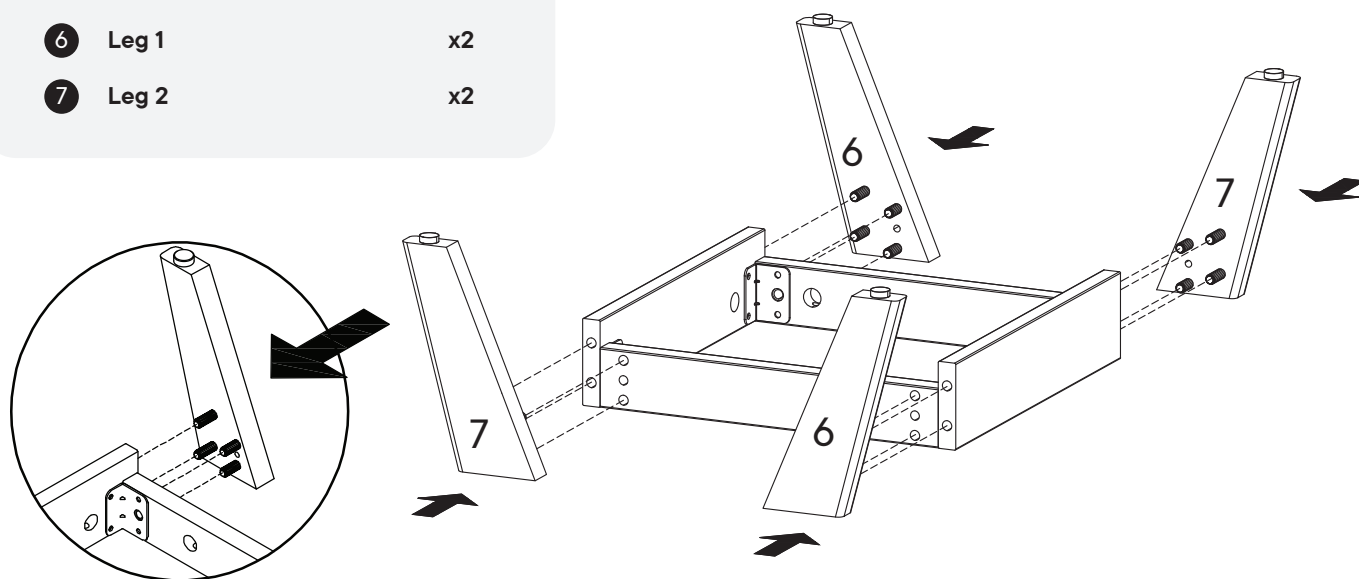
- 8** Bottom Skirt 1 x2
- 9** Bottom Skirt 2 x2



Step 9

COMPONENTS

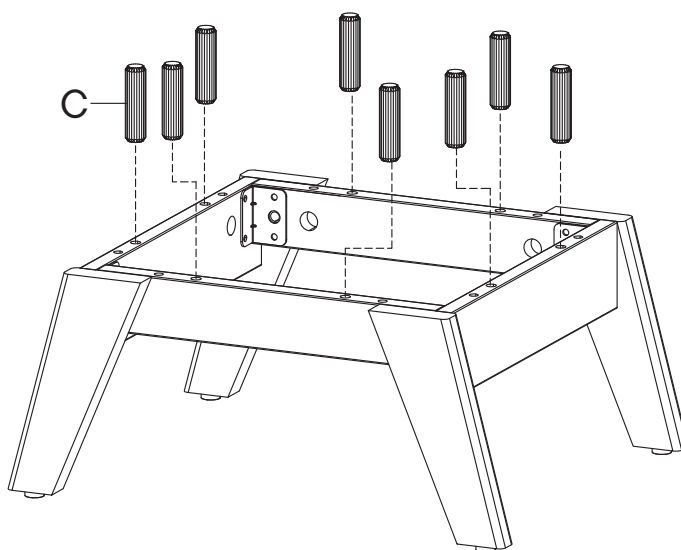
- | | | |
|---|-------|----|
| 6 | Leg 1 | x2 |
| 7 | Leg 2 | x2 |



Step 10

HARDWARE

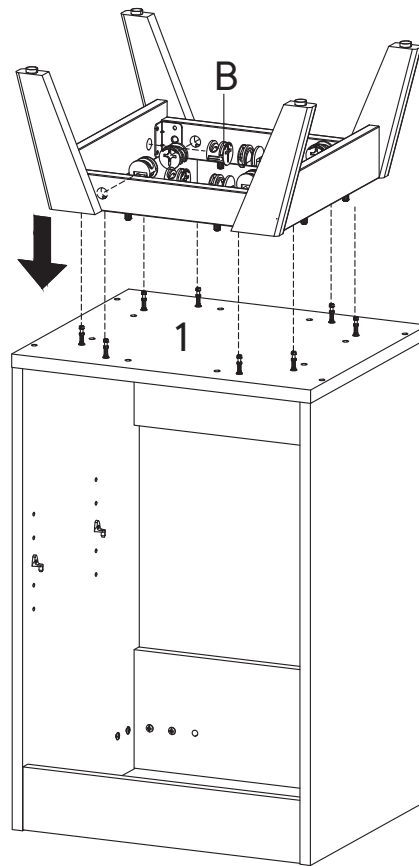
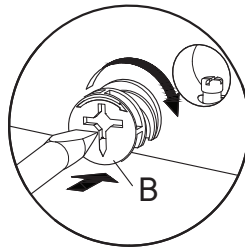
- | | | |
|---|-----------------------|----|
| C | Wood Dowel Ø8 x 30 mm | x8 |
|---|-----------------------|----|



Step 11

HARDWARE

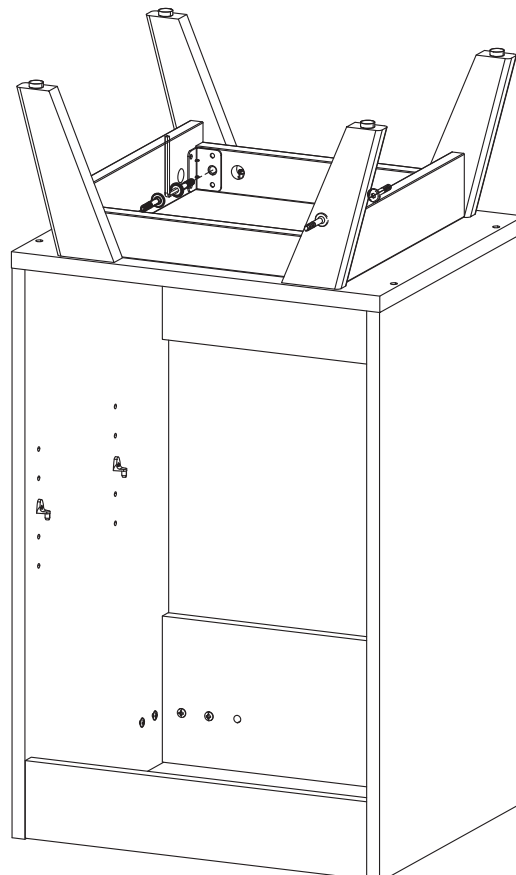
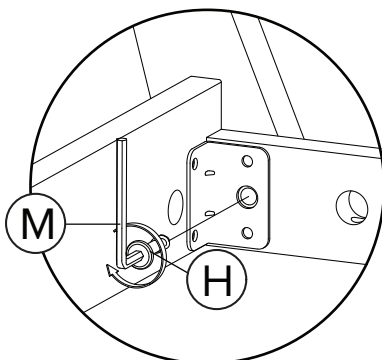
- B** Cam Lock $\varnothing 15$ mm x8



Step 12

HARDWARE

- H** Screw M 6.4 x 35 mm x4
- M** Allen Key x1



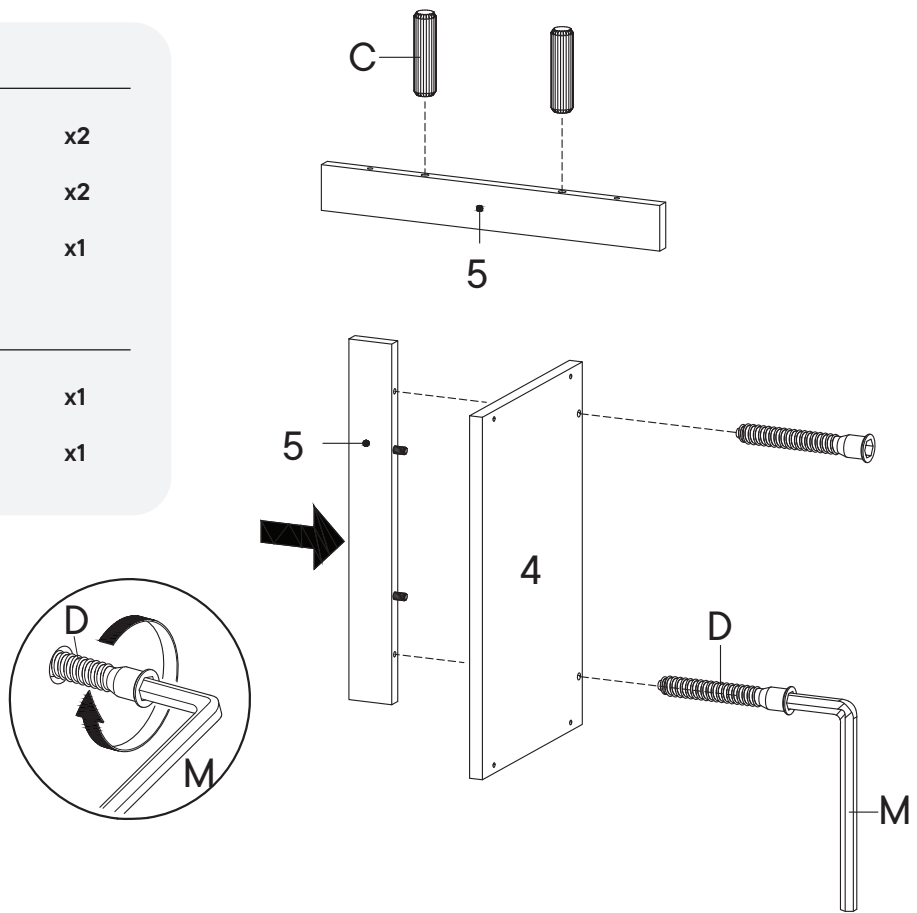
Step 13

HARDWARE

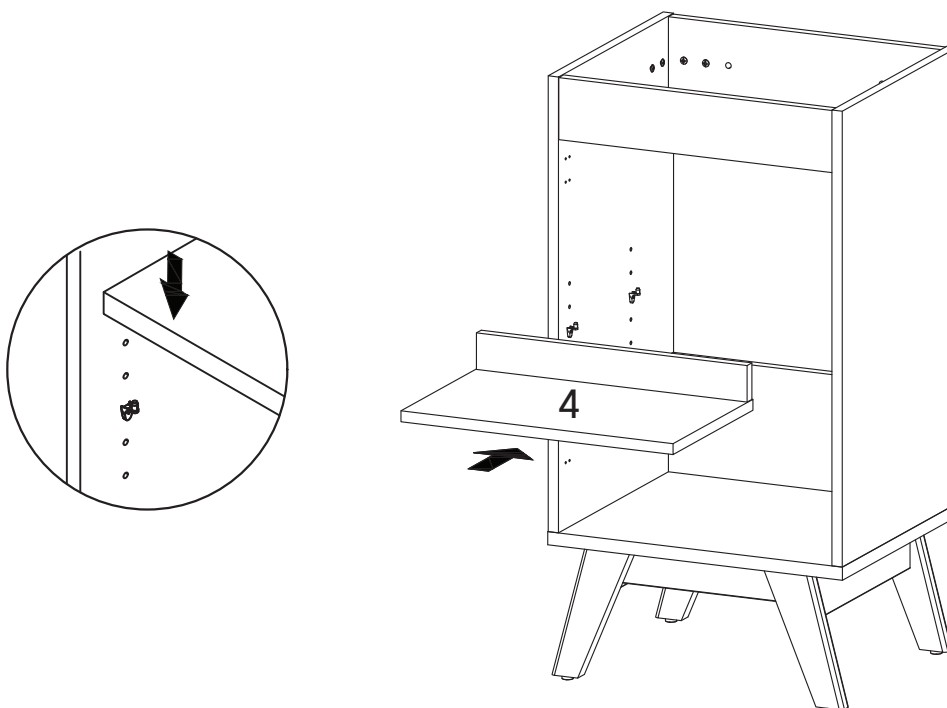
- C** Wood Dowel Ø8 x 30 mm x2
- D** Screw M 7 x 50 mm x2
- M** Allen Key x1

COMPONENTS

- 4** Adjustable Shelf x1
- 5** Support Board 1 x1



Step 14

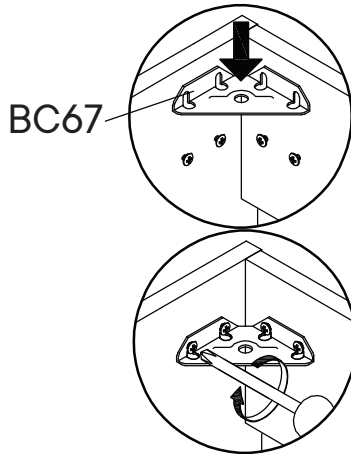


Step 15

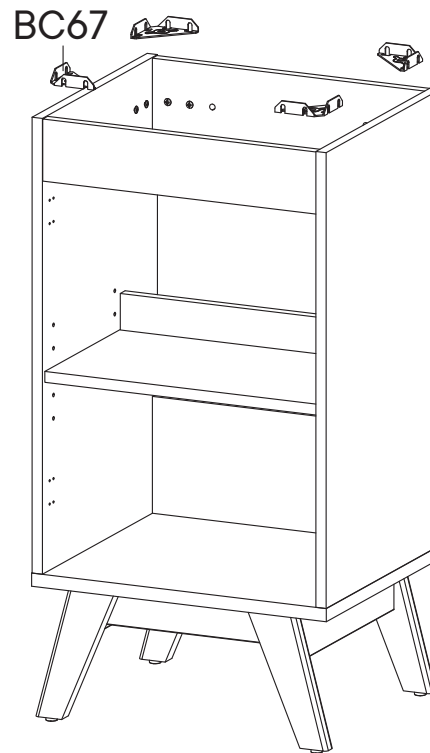
HARDWARE

BC67 Bracket

x4



NOTE :
Tighten all the screw

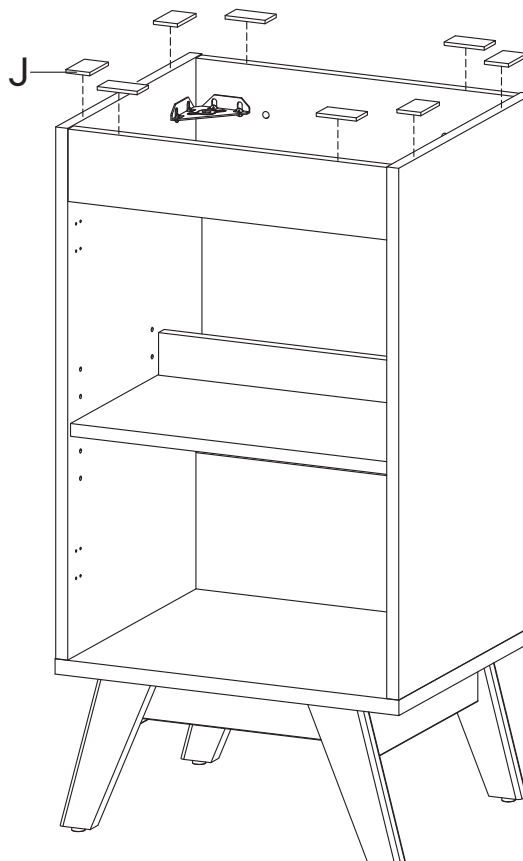
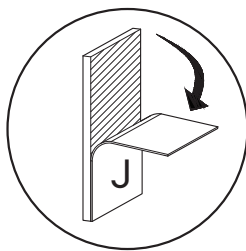


Step 16

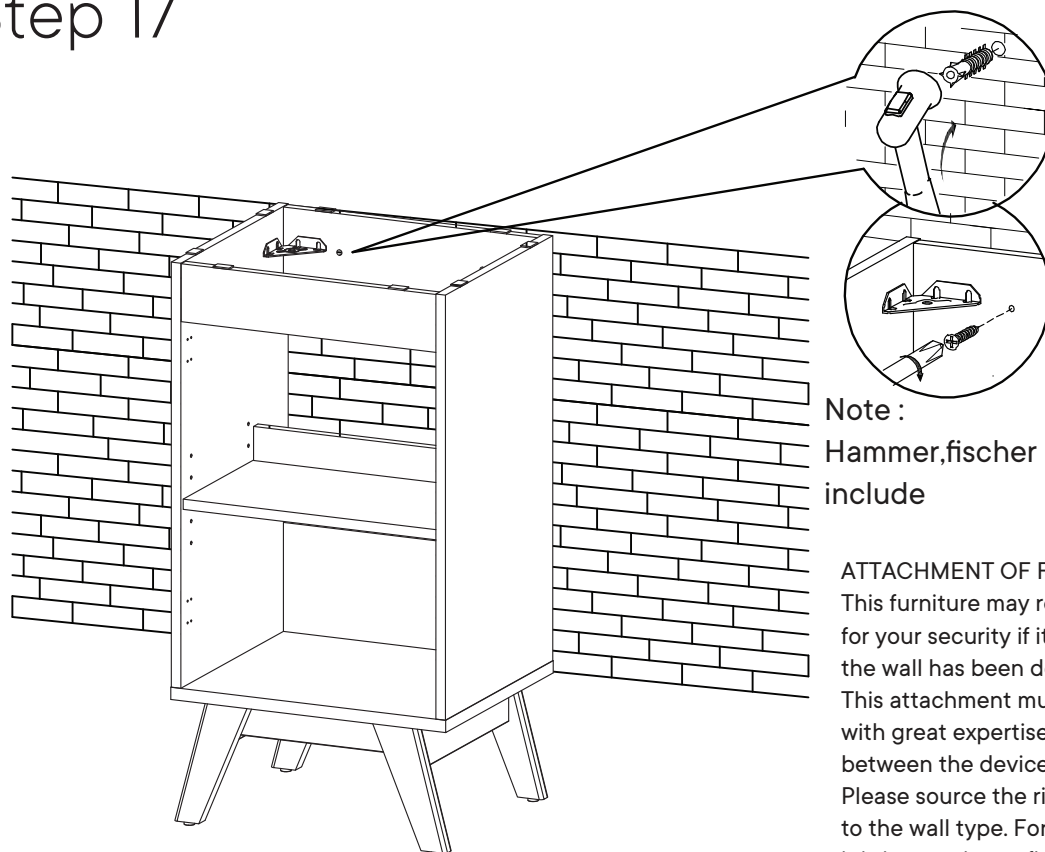
HARDWARE

J Foam/Rubber Pad

x8



Step 17

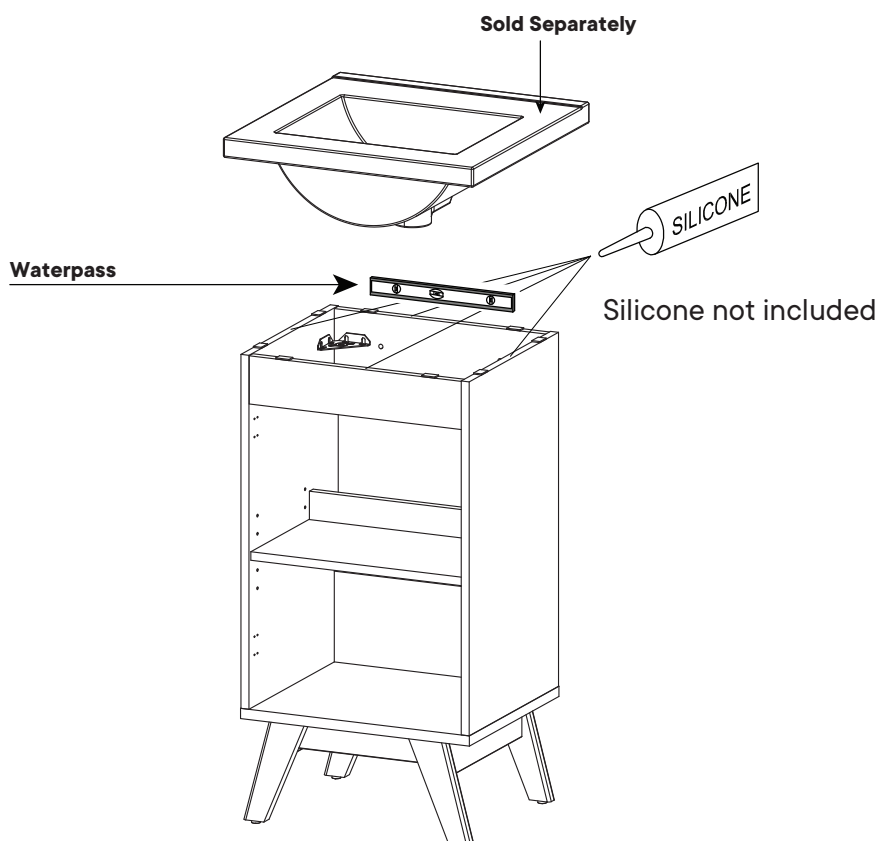


Note :
Hammer, fischer and screw not include

ATTACHMENT OF FURNITURE
This furniture may represent a danger for your security if it's attachment on the wall has been done in an incorrect way. This attachment must be done by a person with great expertise who will make sure adequacy between the device of fixing and the wall. Please source the right fitting according to the wall type. For your safety, it is imperative to fix your furniture to the wall

Step 18

Apply a thin bead of silicone compound around the vanity base and set the vanity top carefully in place. Remove any excess silicone compound with a wet rag



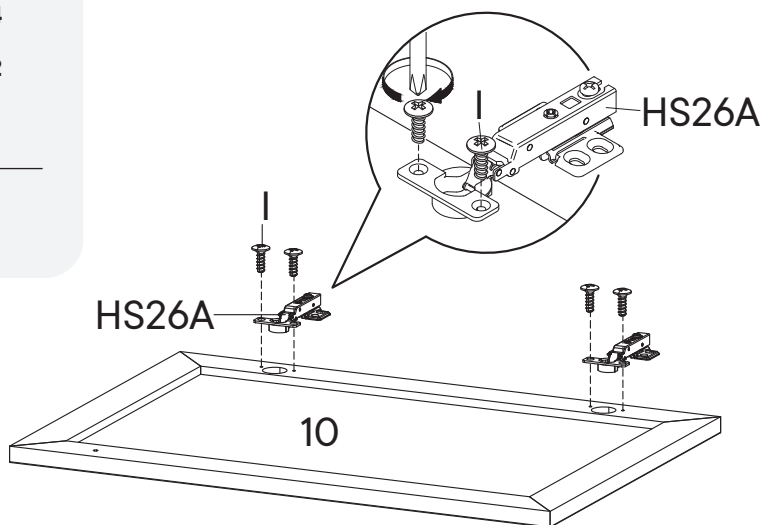
Step 19

HARDWARE

- I** Screw M 4.5 x 12.5 mm x4
- HS26A** Hinge x2

COMPONENTS

- 10** Door x1



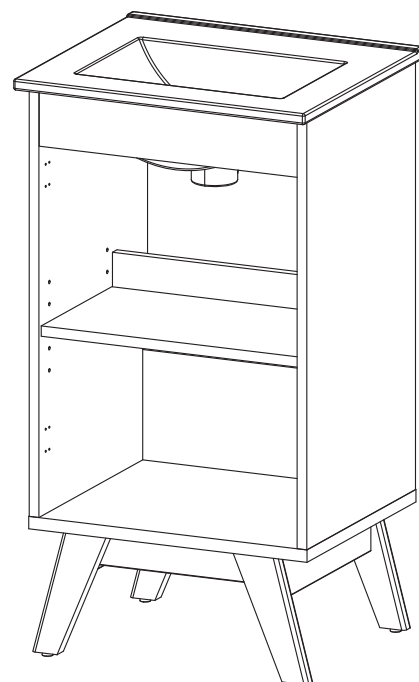
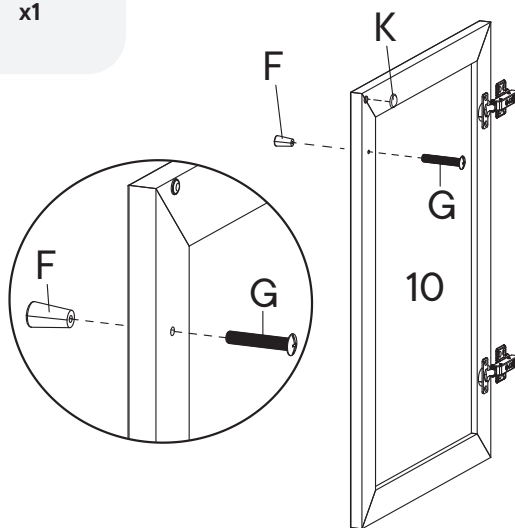
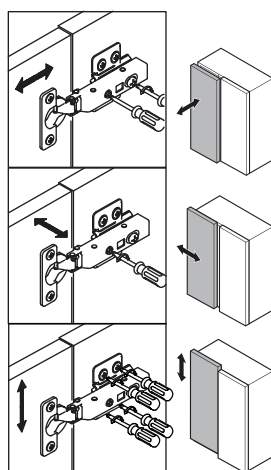
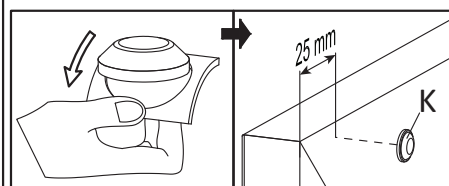
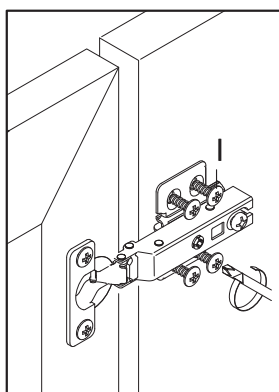
Step 20

HARDWARE

- F** Handle x1
- G** Screw M 4 x 25 mm x1
- I** Screw M 4.5 x 12.5 mm x8
- K** Silicon Bumper x1

COMPONENTS

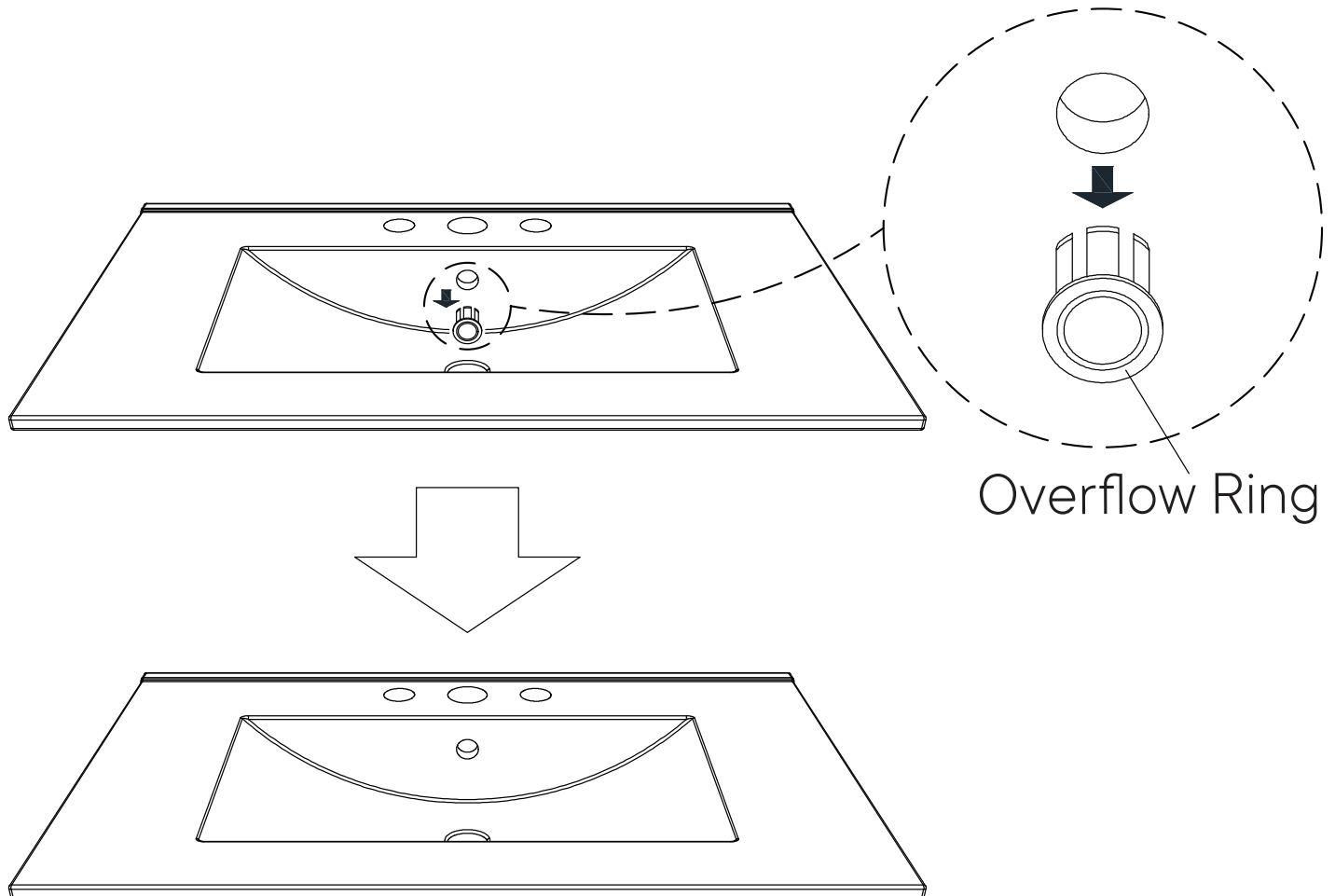
- 10** Door x1



A quick note...

*modway

Your sink basin comes complete with a silver overflow ring.
If you'd like to remove this overflow ring, you can do so by hand.



Wait!

Missing parts or hardware? Need assistance?

Contact us before returning your item. We're here to help!

609.256.9000 • cs@modway.com

Great job!

Cabinet assembly is complete.

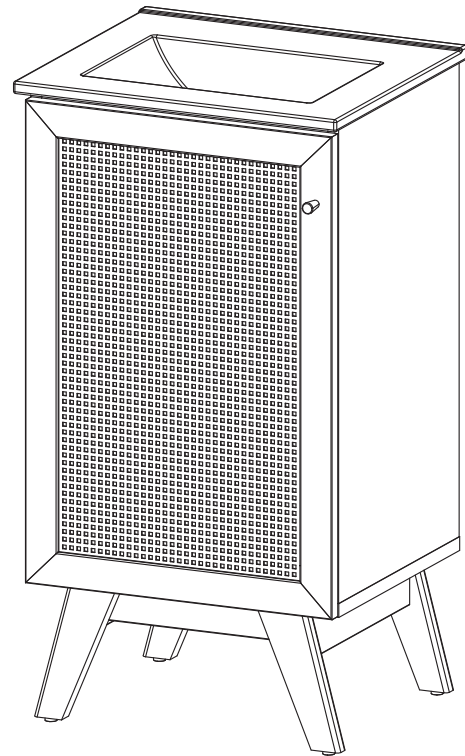
♥ CARING FOR YOUR ITEM

Indoor use only.

Not contract grade.

Clean using a non-abrasive cloth and a mild cleaner.

Never use harsh chemicals, as they could damage the finish or integrity of the item.



CONNECT WITH US!   

Tag us [@modway_furniture](#) and [#modway](#) for a chance to be featured.