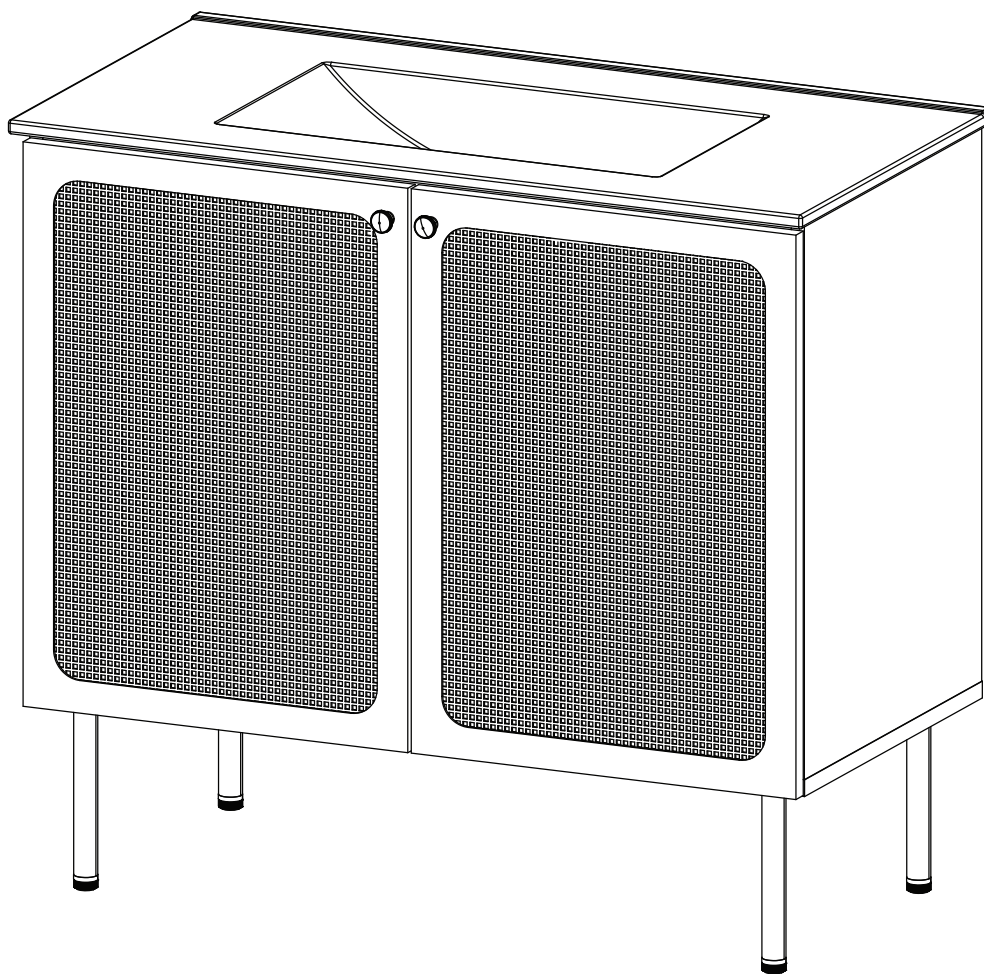


ASSEMBLY INSTRUCTIONS

EEI-6603

V0.02.08.23



Questions? Contact us!

609.256.9000 • cs@modway.com
www.modway.com

*modway

Let's get started!

*modway



Read through all of the instructions before starting



Care instructions are listed in the last step of this manual



Approx. 60 minutes assembly time



Make sure you have all parts and components before discarding any packing materials



2 people recommended for assembly

Only use hand tools to assemble this item. Do not use power tools. Do not tighten bolts or screws completely until all hardware is lined up and inserted into the holes.

Do not over-tighten screws and bolts to avoid stripping the hardware or cracking the item.

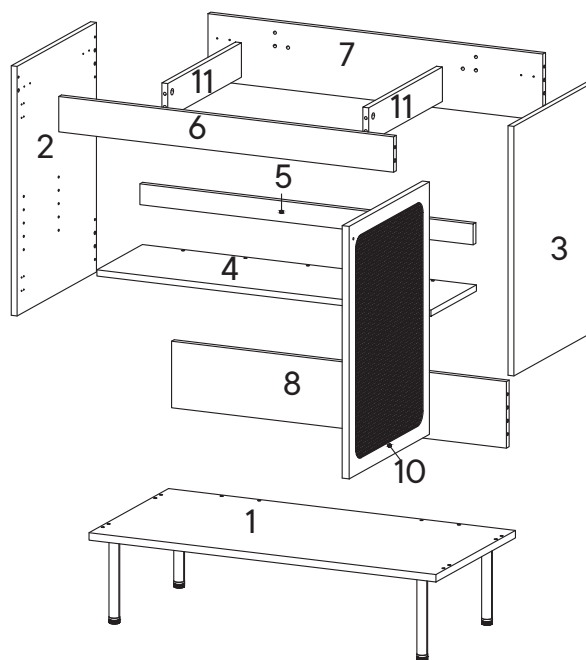
For vanity and plumbing installation, we suggest hiring a professional contractor and plumber.

Assemble your item on a flat, carpeted area, with plenty of space to work. This will prevent damage and scratches to your floors or the item while you're assembling the product.

Keep all components and packaging out of reach of children or animals to avoid risk of choking or suffocation.

Furniture components:

1	Bottom Board	x1	11	Support Board 2	x2
2	Side Board Left	x1			
3	Side Board Right	x1			
4	Adjustable Shelf	x1			
5	Support Board 1	x1			
6	Front Skirt	x1			
7	Back Board 1	x1			
8	Back Board 2	x1			
9	Door Left	x1			
10	Door Right	x1			



Provided hardware:

A		Cam Bolt $\varnothing 6 \times 35$ mm	x12	K		Silicon Bumper	x2
B		Cam Lock $\varnothing 15$ mm	x12	L		Screw M 6 x 12.5 mm	x12
C		Wood Dowel $\varnothing 8 \times 30$ mm	x22	BC67		Bracket	x4
D		Allen Key	x2	LM20A1		Leg	x4
E		Screw M 7 x 50 mm	x11	HS26A		Hinge	x4
F		Shelf Support	x4	US70		Anti-Deflection Bar	x1
G		Door Knob	x2				
H		Screw M 4 x 22 mm	x2				
I		Foam/Rubber Pad	x8				
J		Screw M 4.5 x 12.5 mm	x56				

What you need:

Phillips Head Screwdriver

You may also need:

- + Power Drill
- + Level
- + Silicone Adhesive or Caulk
- + Drywall Anchors and Screws
- + Other Wall-Mounting Hardware

Wait!

Missing parts or hardware? Need assistance?
Contact us before returning your item. We're here to help!
609.256.9000 • cs@modway.com

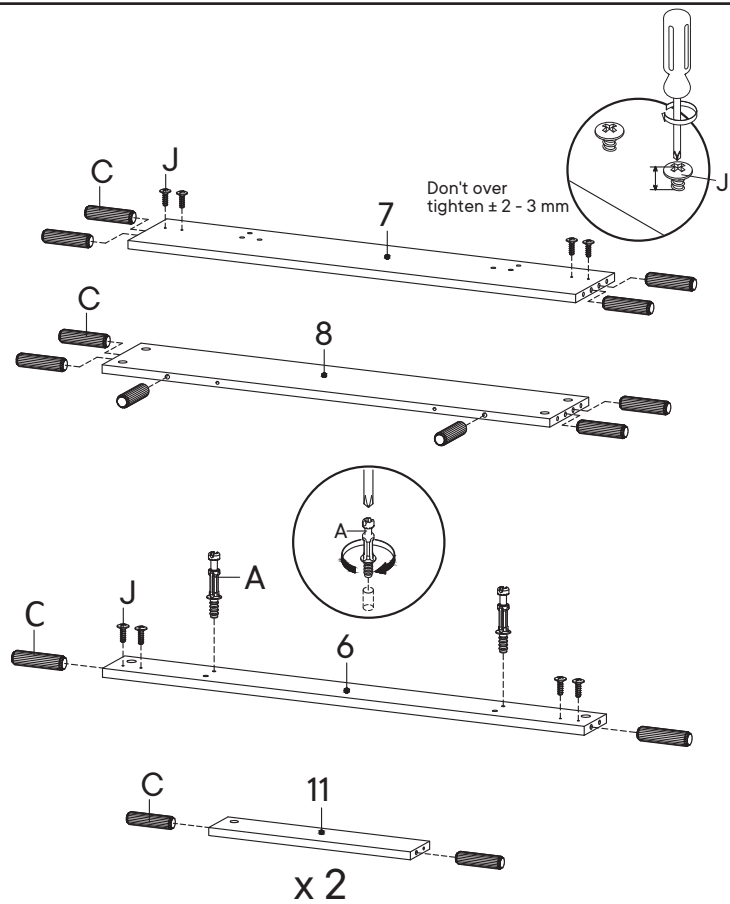
Step 1

HARDWARE

- A** Cam Bolt $\varnothing 6 \times 35$ mm x2
- C** Wood Dowel $\varnothing 8 \times 30$ mm x16
- J** Screw M 4.5 x 12.5 mm x8

COMPONENTS

- 6** Front Skirt x1
- 7** Back Board 1 x1
- 8** Back Board 2 x1
- 11** Support Board 2 x2



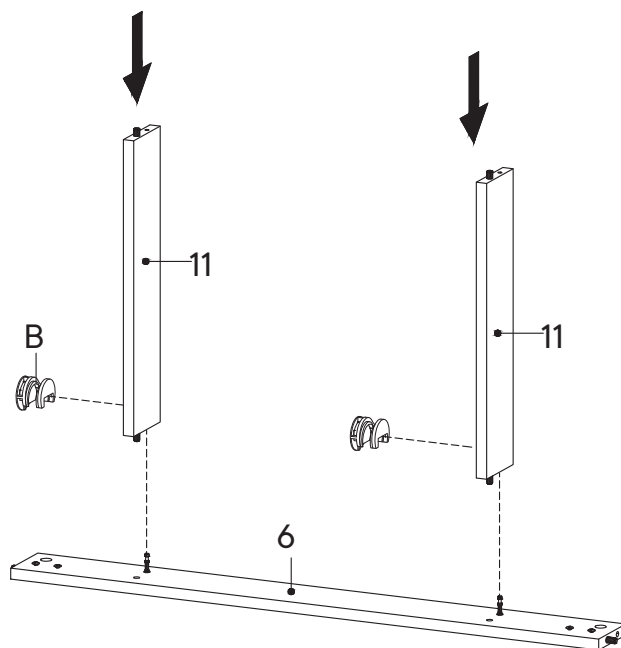
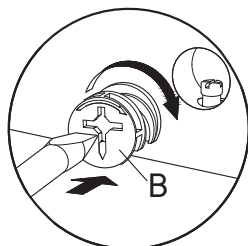
Step 2

HARDWARE

- B** Cam Lock $\varnothing 15$ mm x2

COMPONENTS

- 6** Front Skirt x1
- 11** Support Board 2 x2



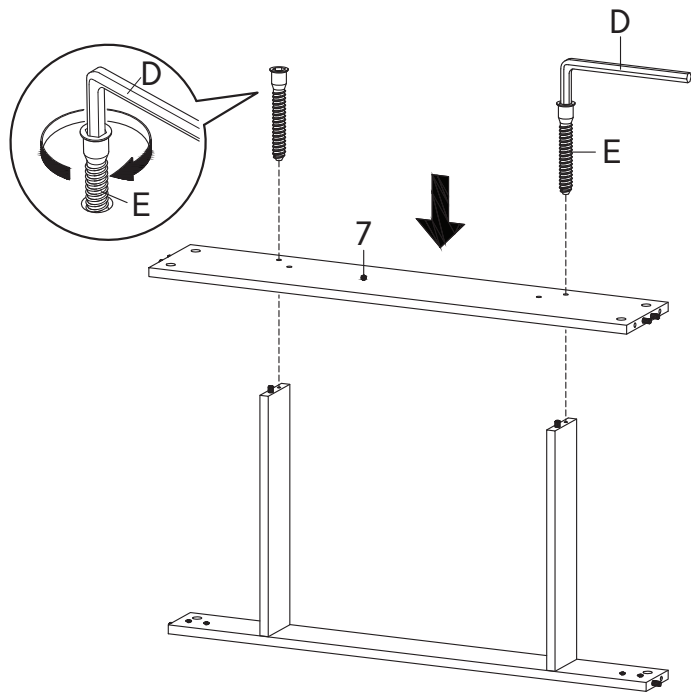
Step 3

HARDWARE

- D** Allen Key x1
- E** Screw M 7 x 50 mm x2

COMPONENTS

- 7** Back Board 1 x1



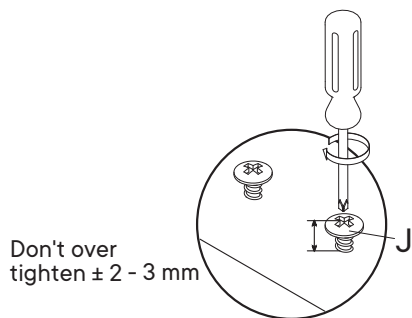
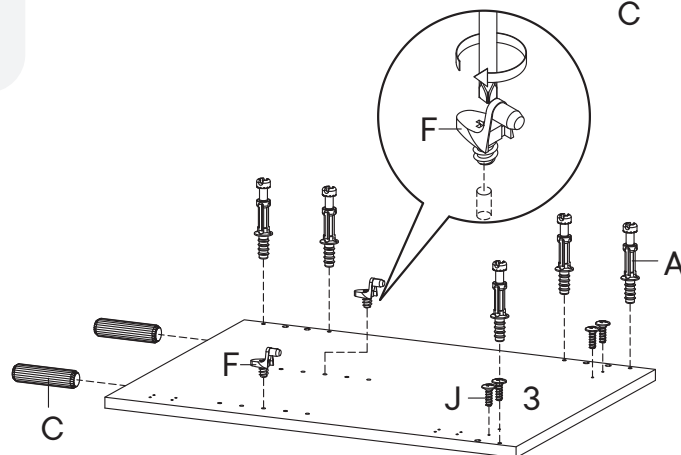
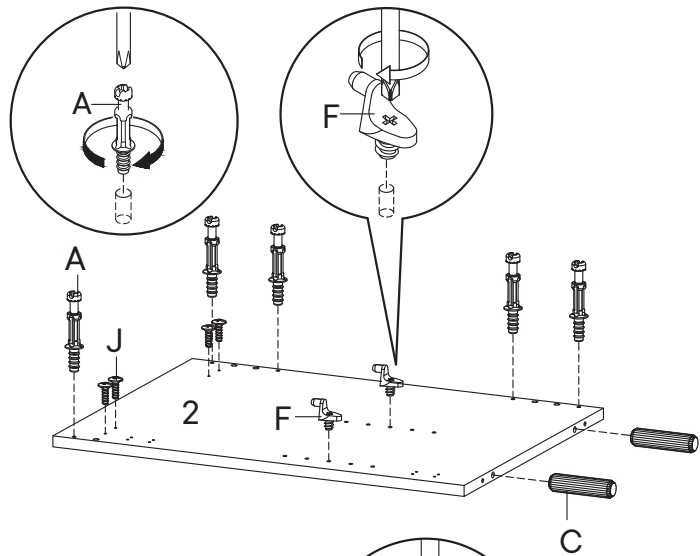
Step 4

HARDWARE

- A** Cam Bolt $\varnothing 6$ x 35 mm x10
- C** Wood Dowel $\varnothing 8$ x 30 mm x4
- J** Screw M 4.5 x 12.5 mm x8
- F** Shelf Support x4

COMPONENTS

- 2** Side Board Left x1
- 3** Side Board Right x1



Don't over tighten $\pm 2 - 3$ mm

Step 5

HARDWARE

B Cam Lock Ø15 mm x5

COMPONENTS

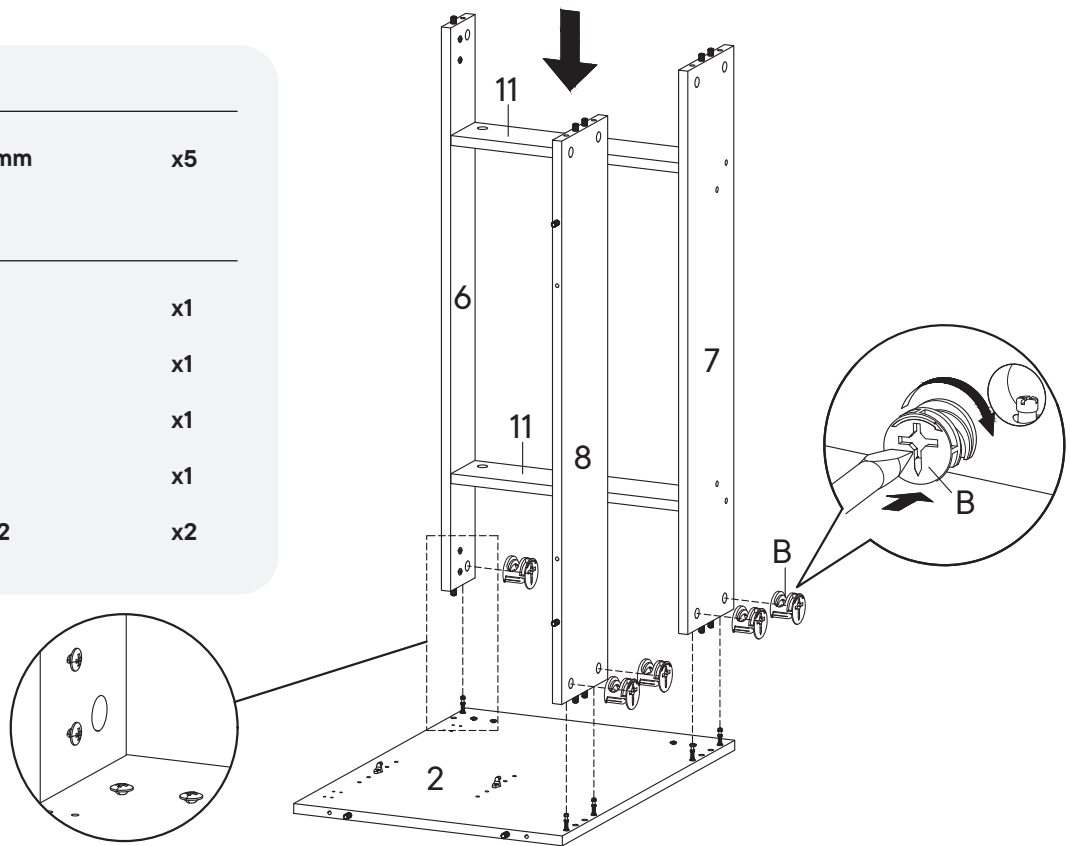
2 Side Board Left x1

6 Front Skirt x1

7 Back Board 1 x1

8 Back Board 2 x1

11 Support Board 2 x2



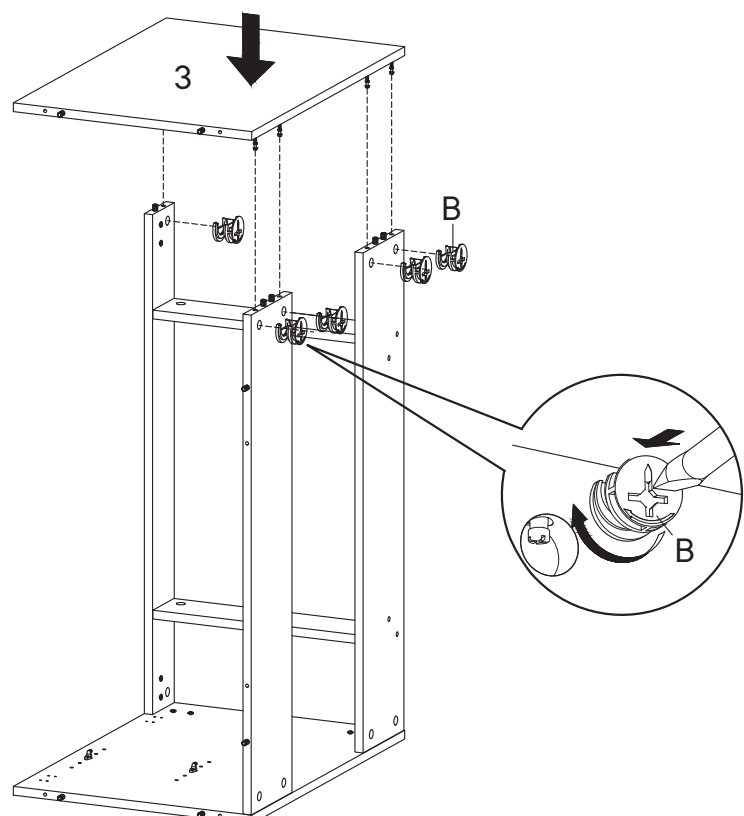
Step 6

HARDWARE

B Cam Lock Ø15 mm x5

COMPONENTS

3 Side Board Right x1



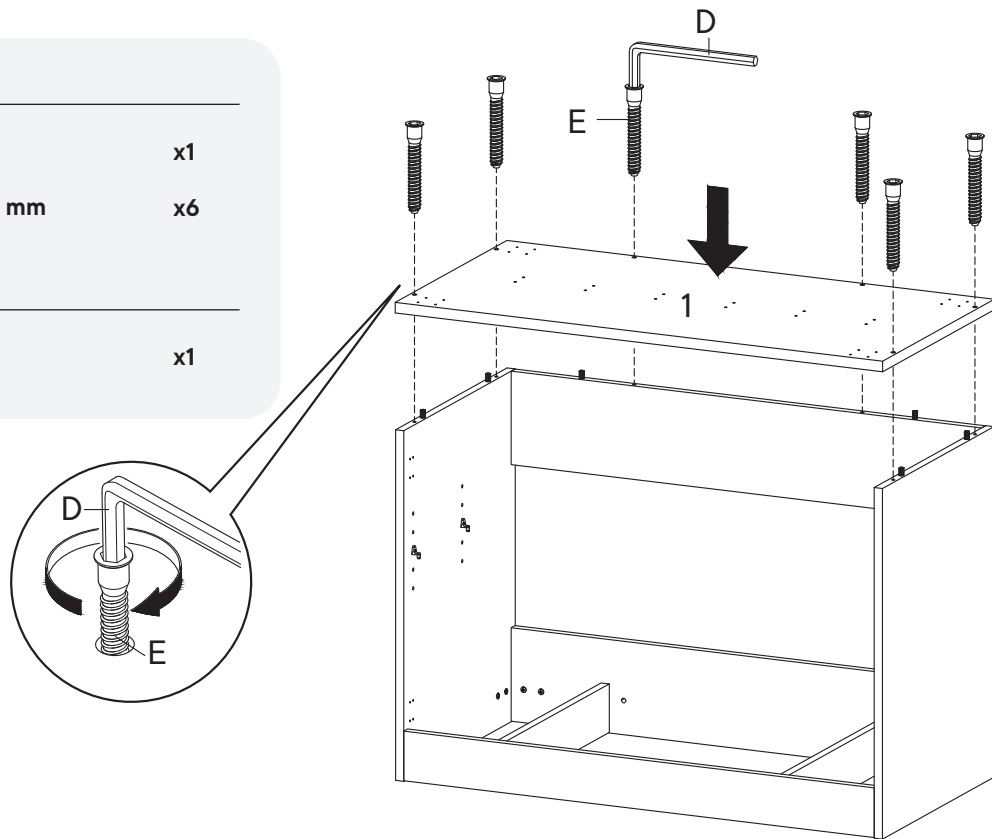
Step 7

HARDWARE

- D** Allen Key x1
- E** Screw M 7 x 50 mm x6

COMPONENTS

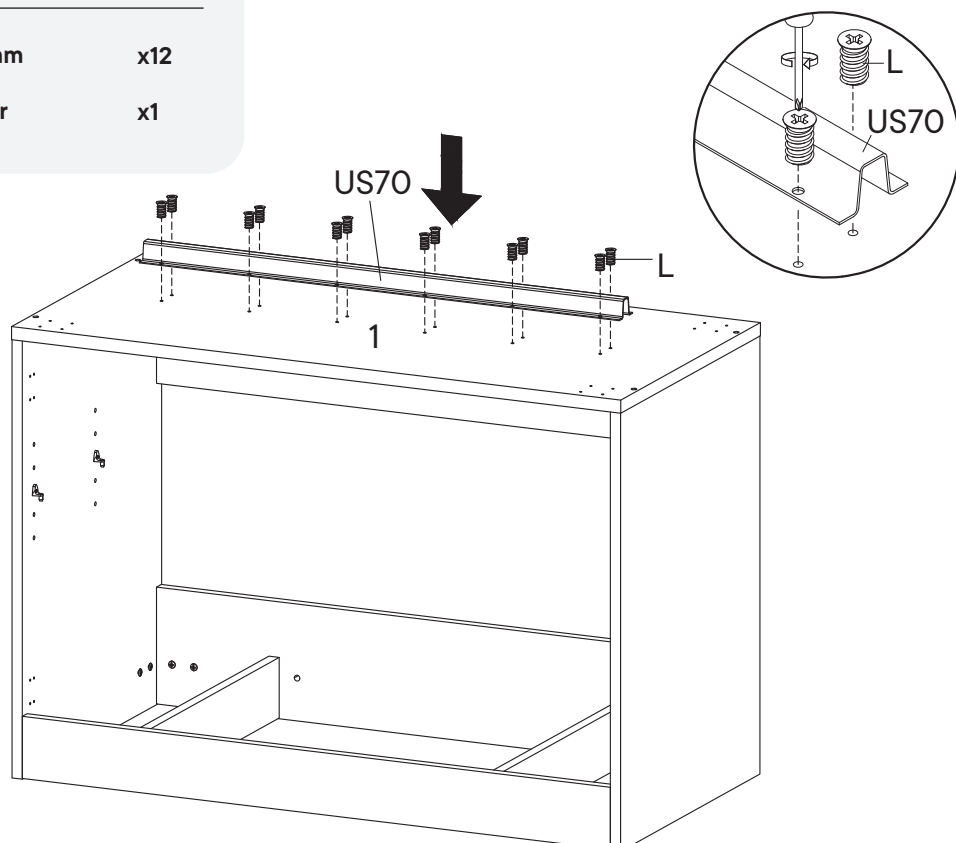
- 1** Bottom Board x1



Step 8

HARDWARE

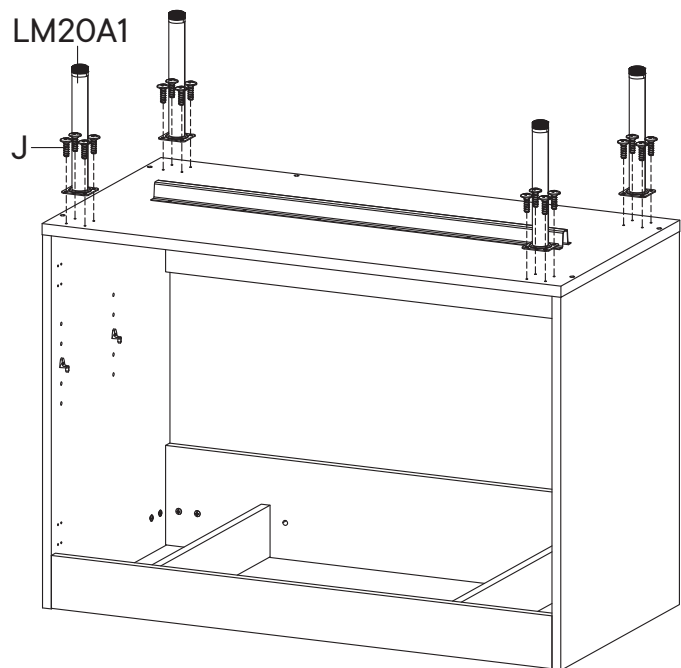
- L** Screw M 6 x 12.5 mm x12
- US70** Anti-Deflection Bar x1



Step 9

HARDWARE

- J** Screw M 4.5 x 12.5 mm x16
- LM20A1** Leg x4



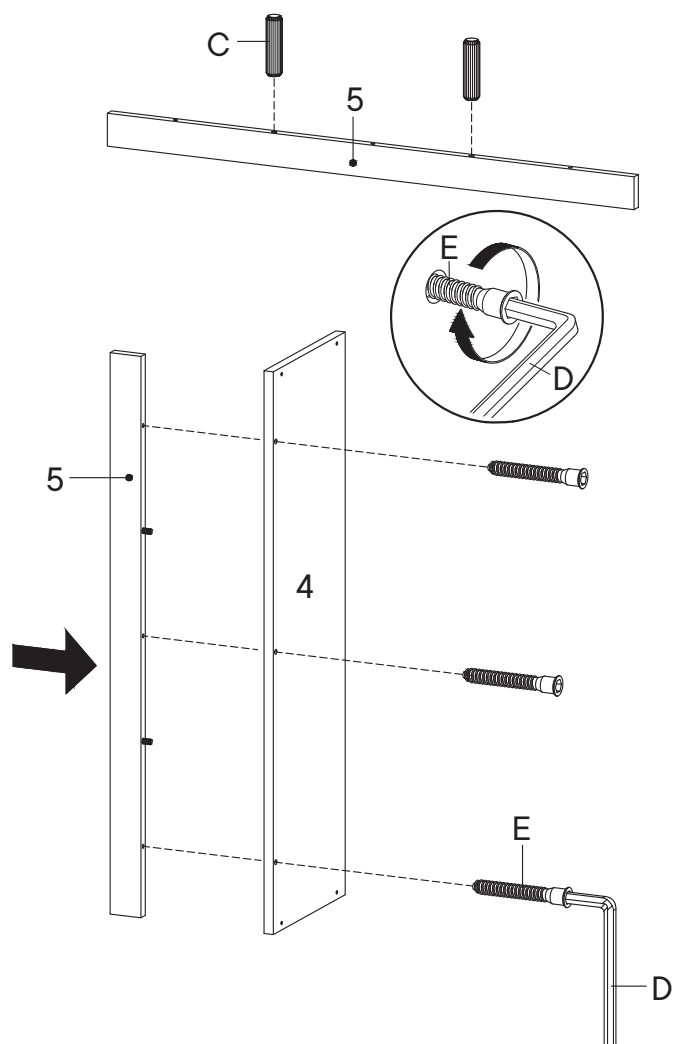
Step 10

HARDWARE

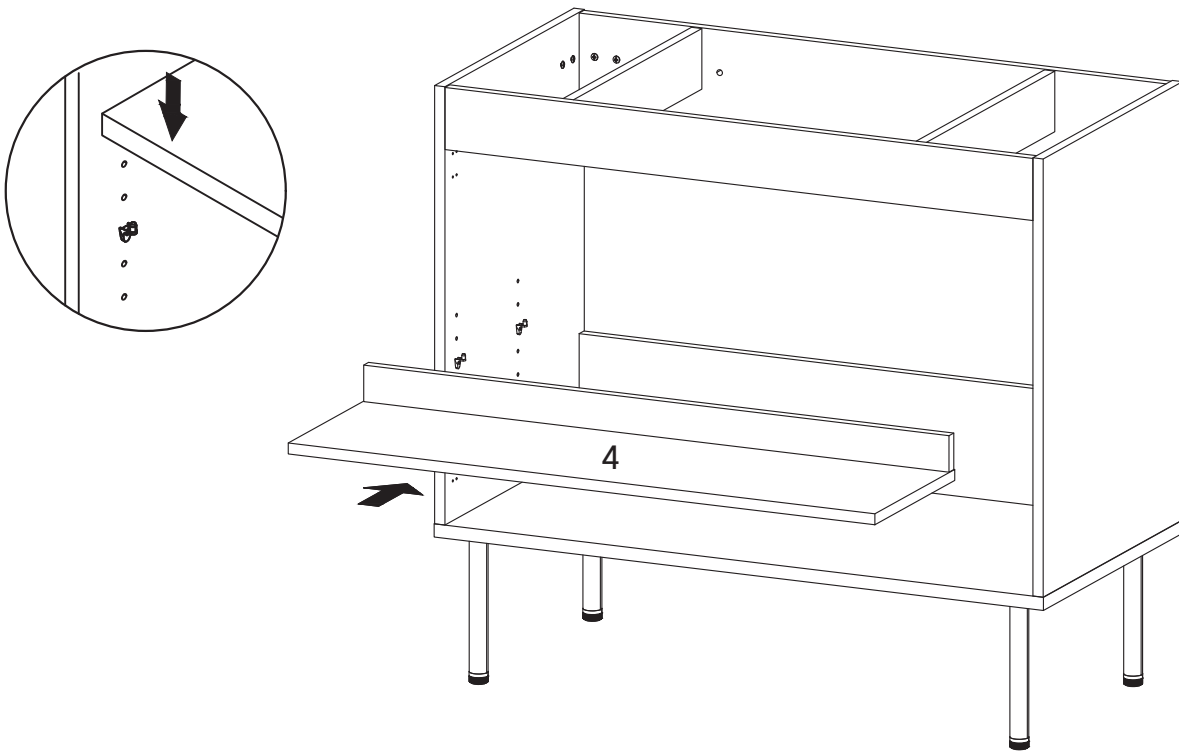
- C** Wood Dowel Ø8 x 30 mm x2
- D** Allen Key x1
- E** Screw M 7 x 50 mm x3

COMPONENTS

- 4** Adjustable Shelf x1
- 5** Support Board 1 x1



Step 11



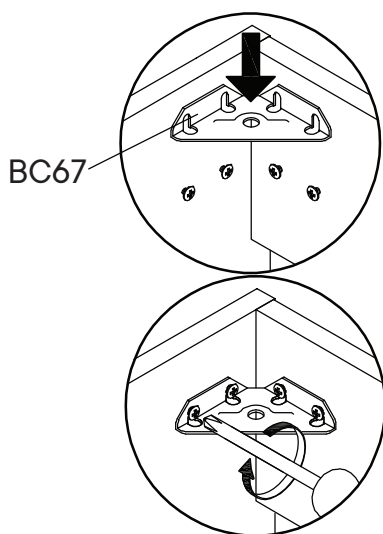
Step 12

HARDWARE

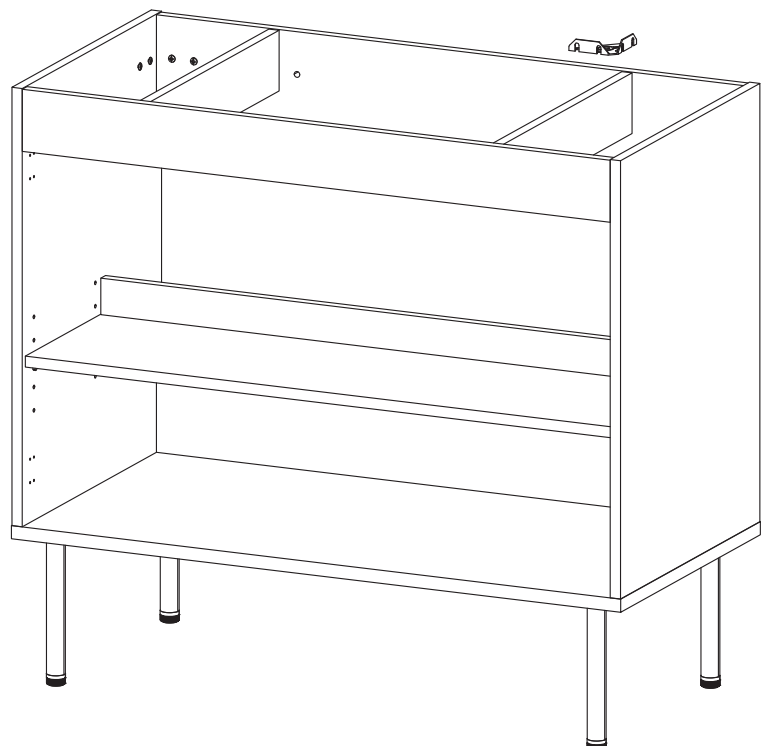
BC67 Bracket

x4

BC67



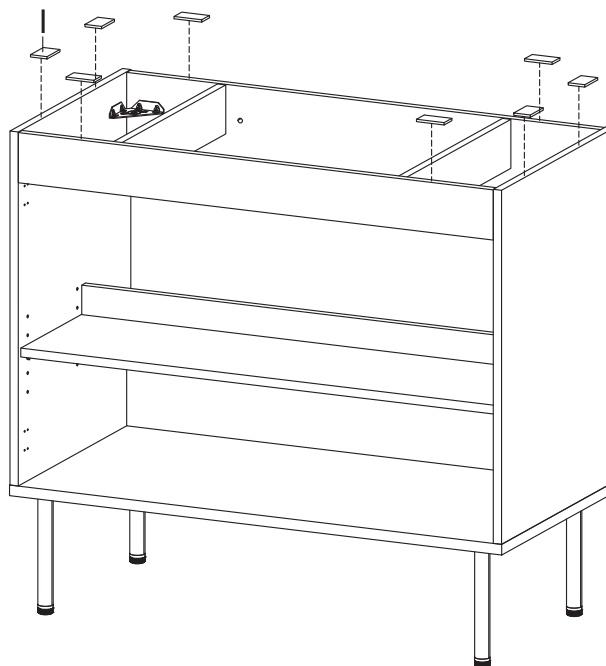
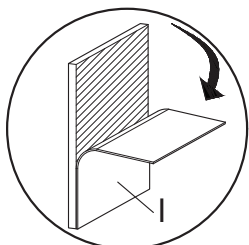
NOTE :
Tighten all the screw



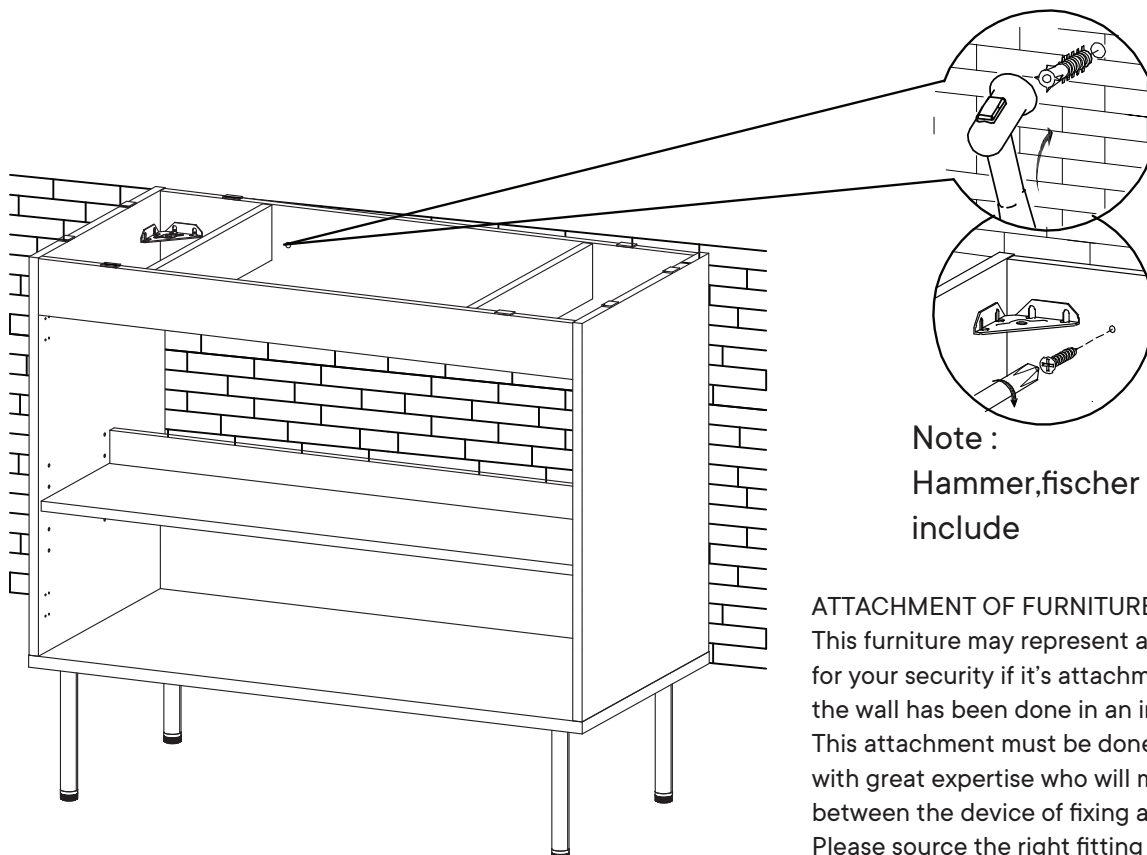
Step 13

HARDWARE

- 1 Foam/Rubber Pad x8



Step 14

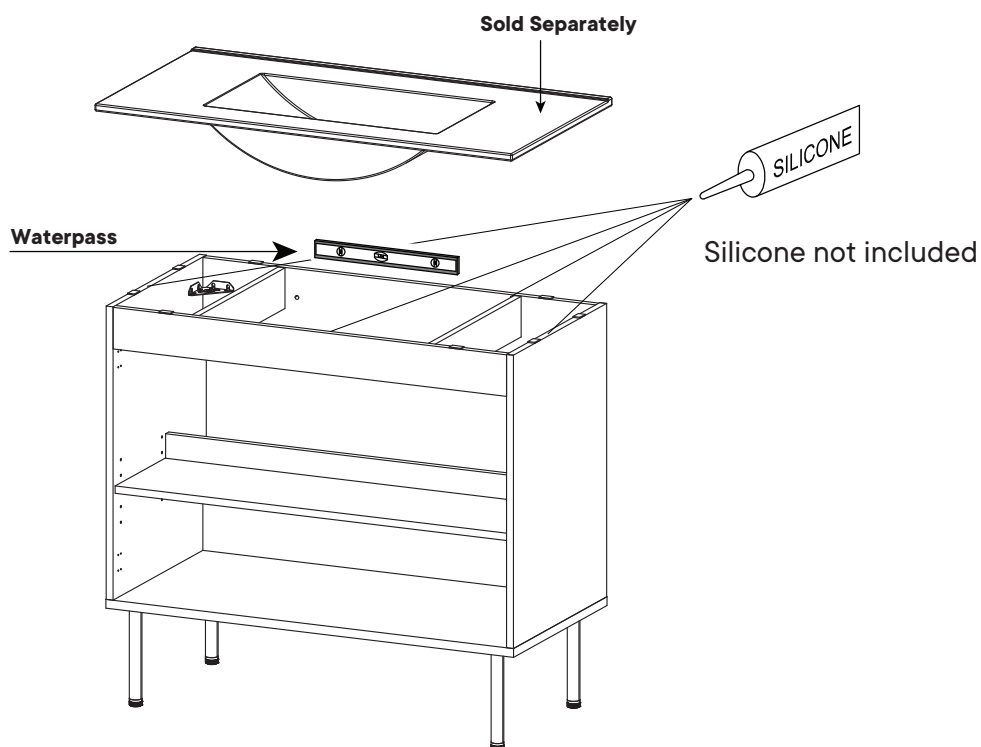


Note :
Hammer, fischer and screw not include

ATTACHMENT OF FURNITURE
This furniture may represent a danger for your security if its attachment on the wall has been done in an incorrect way. This attachment must be done by a person with great expertise who will make sure adequacy between the device of fixing and the wall. Please source the right fitting according to the wall type. For your safety, it is imperative to fix your furniture to the wall

Step 15

Apply a thin bead of silicone compound around the vanity base and set the vanity top carefully in place. Remove any excess silicone compound with a wet rag



Step 16

HARDWARE

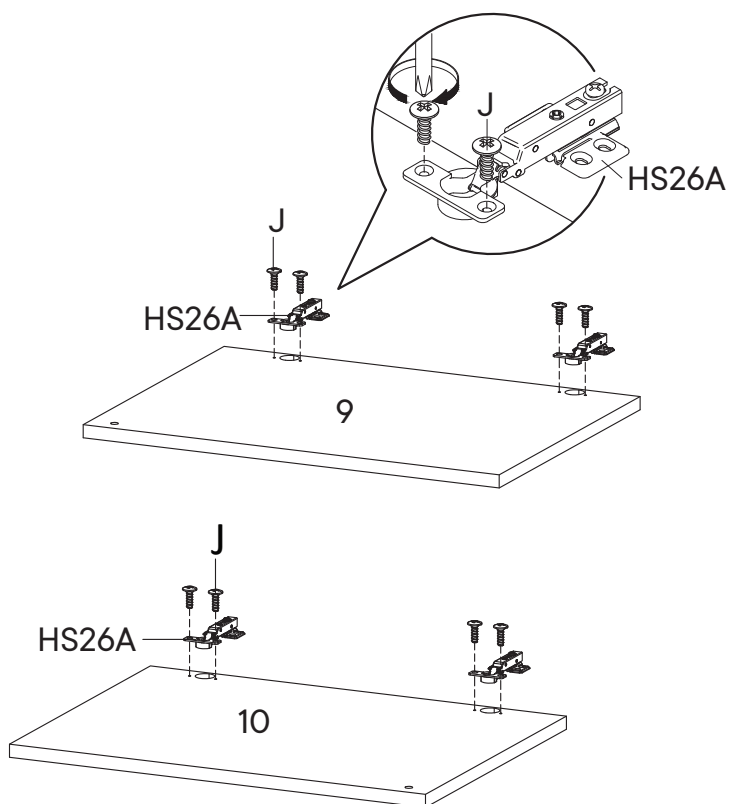
J Screw M 4.5 x 12.5 mm x8

HS26A Hinge x4

COMPONENTS

9 Door Left x1

10 Door Right x1



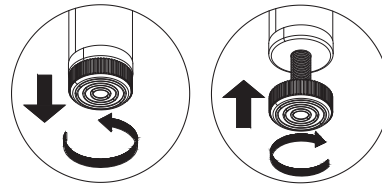
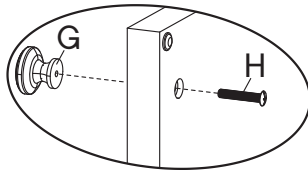
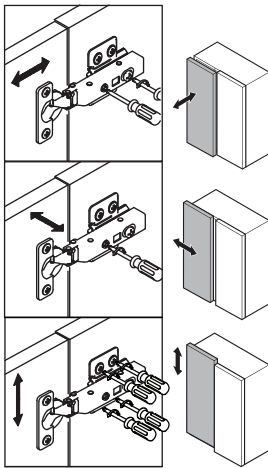
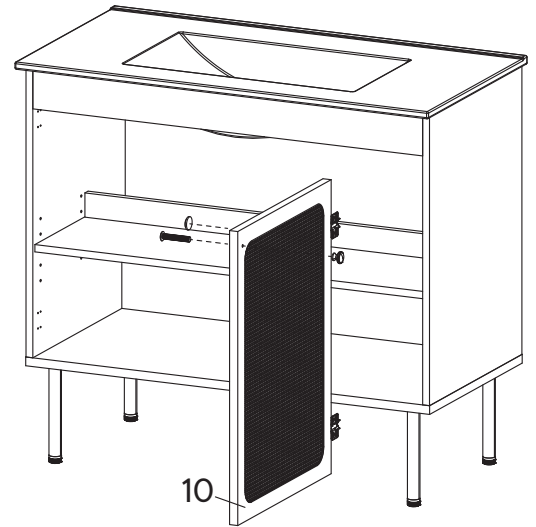
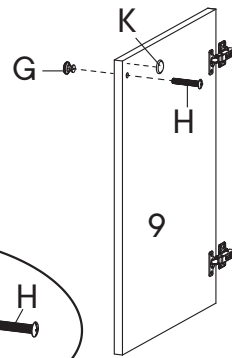
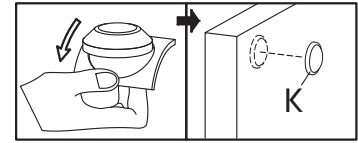
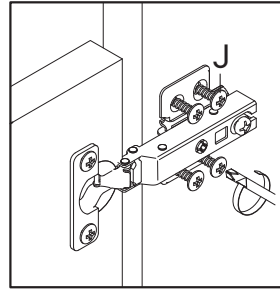
Step 17

HARDWARE

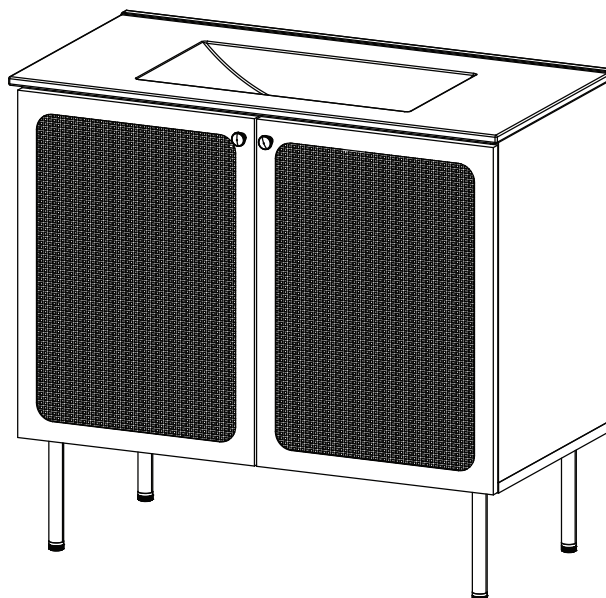
- G** Door Knob x2
- H** Screw M 4 x 22 mm x2
- J** Screw M 4.5 x 12.5 mm x16
- K** Silicon Bumper x2

COMPONENTS

- 9** Door Left x1
- 10** Door Right x1



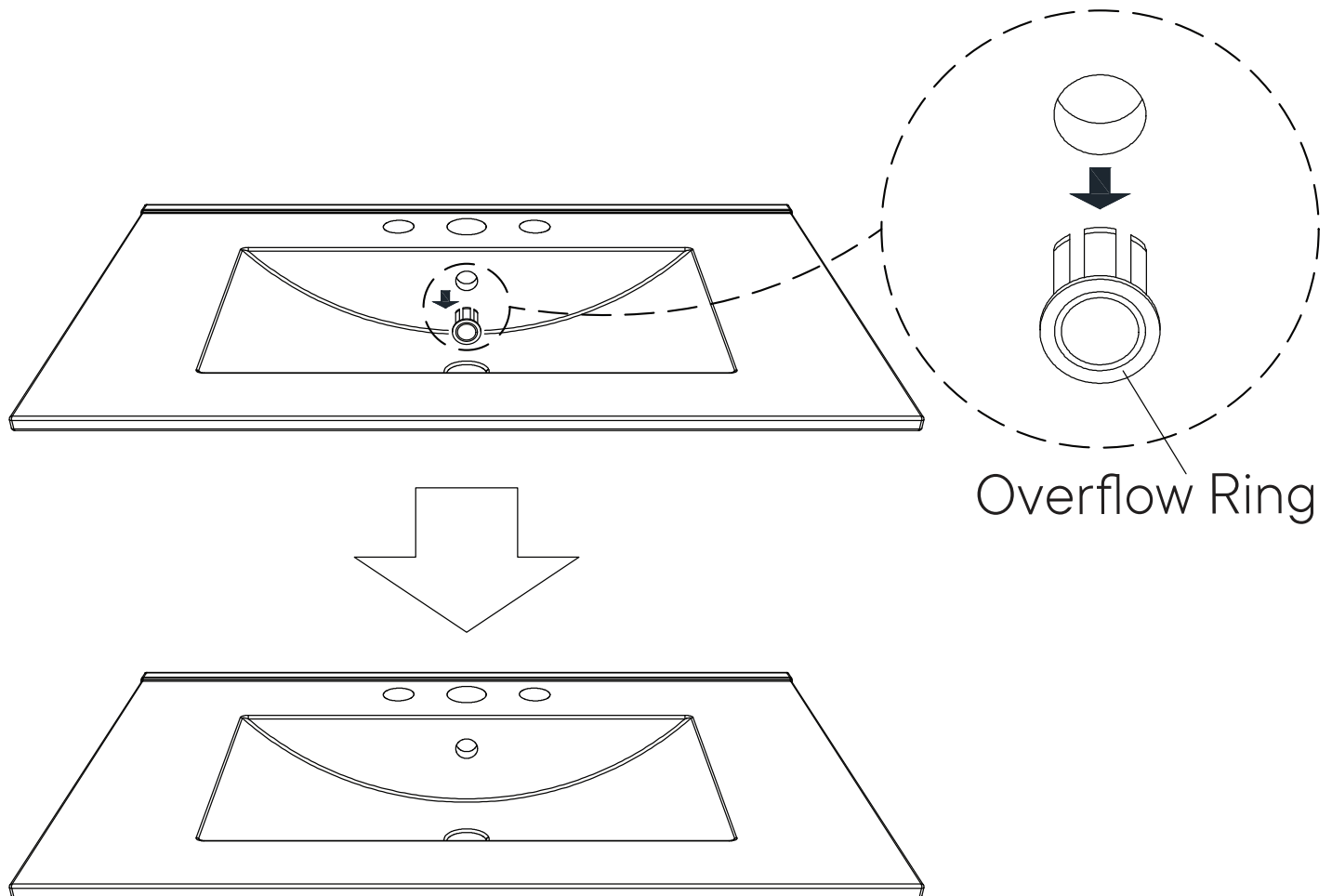
Step 18



A quick note...

*modway

Your sink basin comes complete with a silver overflow ring.
If you'd like to remove this overflow ring, you can do so by hand.



Wait!

Missing parts or hardware? Need assistance?

Contact us before returning your item. We're here to help!

609.256.9000 • cs@modway.com

Great job!

Cabinet assembly is complete.

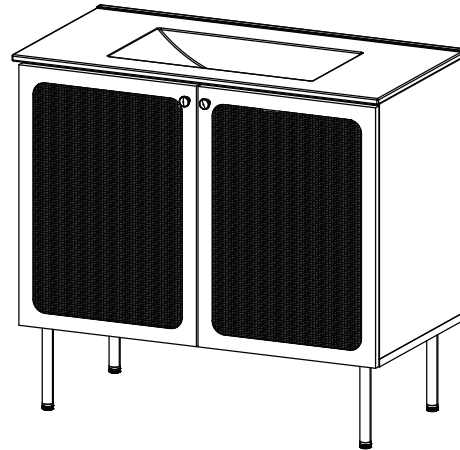
♥ CARING FOR YOUR ITEM

Indoor use only.

Not contract grade.

Clean using a non-abrasive cloth and a mild cleaner.

Never use harsh chemicals, as they could damage the finish or integrity of the item.



CONNECT WITH US!   

Tag us [@modway_furniture](#) and [#modway](#) for a chance to be featured.