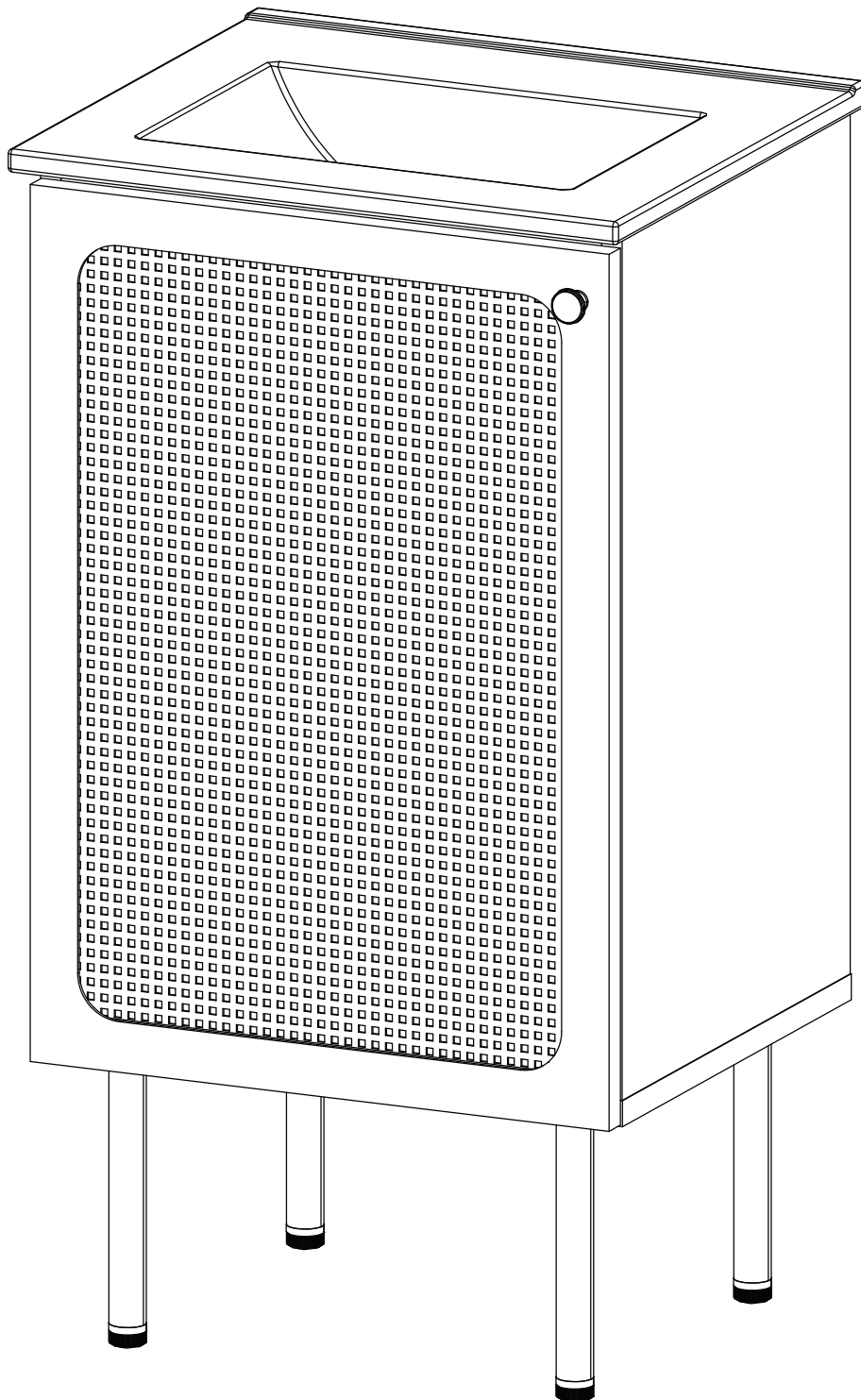


# ASSEMBLY INSTRUCTIONS

# EEI-6600

V0.02.08.23



**Questions? Contact us!**

609.256.9000 • [cs@modway.com](mailto:cs@modway.com)  
[www.modway.com](http://www.modway.com)

\*modway



Read through all of the instructions before starting



Care instructions are listed in the last step of this manual



Approx. 60 minutes assembly time



Make sure you have all parts and components before discarding any packing materials



2 people recommended for assembly

**Only use hand tools to assemble this item.** Do not use power tools. Do not tighten bolts or screws completely until all hardware is lined up and inserted into the holes.

Do not over-tighten screws and bolts to avoid stripping the hardware or cracking the item.

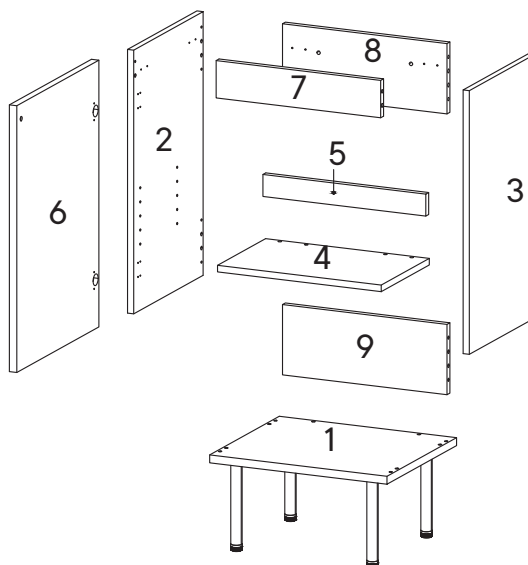
For vanity and plumbing installation, we suggest hiring a professional contractor and plumber.

Assemble your item on a flat, carpeted area, with plenty of space to work. This will prevent damage and scratches to your floors or the item while you're assembling the product.

Keep all components and packaging out of reach of children or animals to avoid risk of choking or suffocation.

## Furniture components:

1	Bottom Board	x1
2	Side Board Left	x1
3	Side Board Right	x1
4	Adjustable Shelf	x1
5	Support Board	x1
6	Door	x1
7	Front Skirt	x1
8	Back Board 1	x1
9	Back Board 2	x1



## Provided hardware:

A		Cam Bolt Ø6 x 35 mm	x10
B		Cam Lock Ø15 mm	x10
C		Wood Dowel Ø8 x 30 mm	x18
D		Allen Key	x2
E		Screw M 7 x 50 mm	x6
F		Shelf Support	x4
G		Door Knob	x1
H		Screw M 4 x 22 mm	x1
I		Foam/Rubber Pad	x8
J		Screw M 4.5 x 12.5 mm	x44

K		Silicon Bumper	x1
BC67		Bracket	x4
LM20A1		Leg	x4
HS26A		Hinge	x2

## What you need:

**Phillips Head Screwdriver**

## You may also need:

- + Power Drill
- + Level
- + Silicone Adhesive or Caulk
- + Drywall Anchors and Screws
- + Other Wall-Mounting Hardware

**Wait!**

Missing parts or hardware? Need assistance?  
Contact us before returning your item. We're here to help!  
609.256.9000 • cs@modway.com

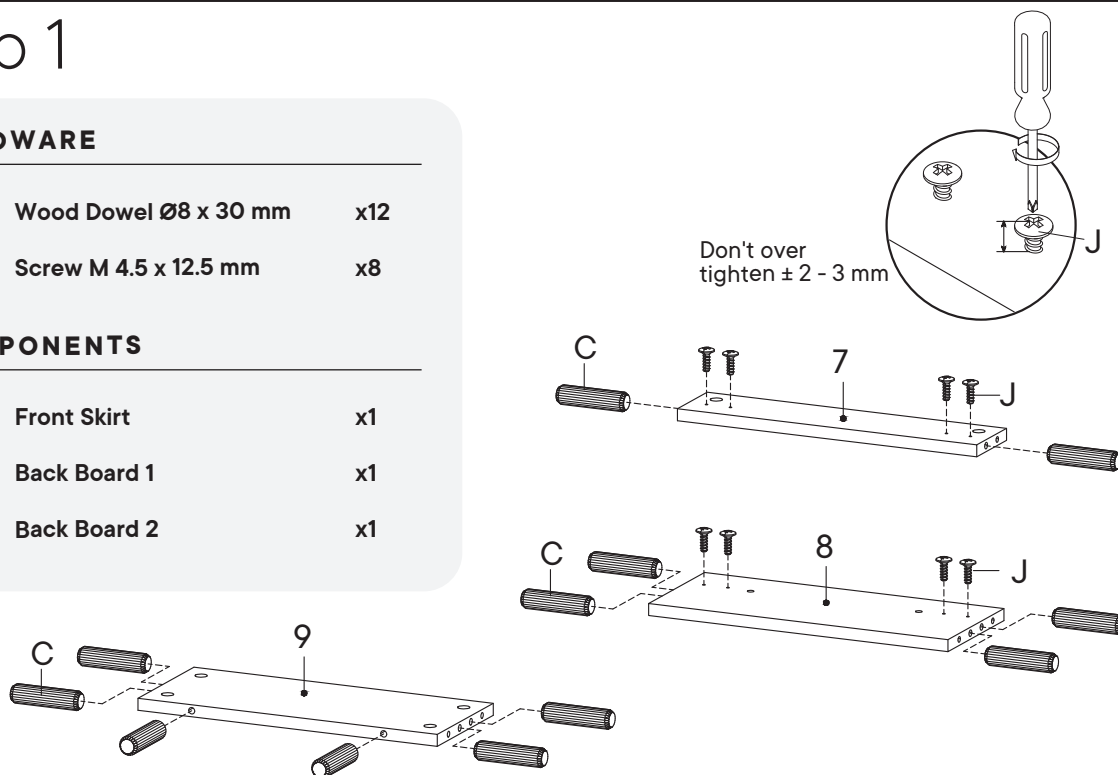
# Step 1

## HARDWARE

- C** Wood Dowel Ø8 x 30 mm x12
- J** Screw M 4.5 x 12.5 mm x8

## COMPONENTS

- 7** Front Skirt x1
- 8** Back Board 1 x1
- 9** Back Board 2 x1



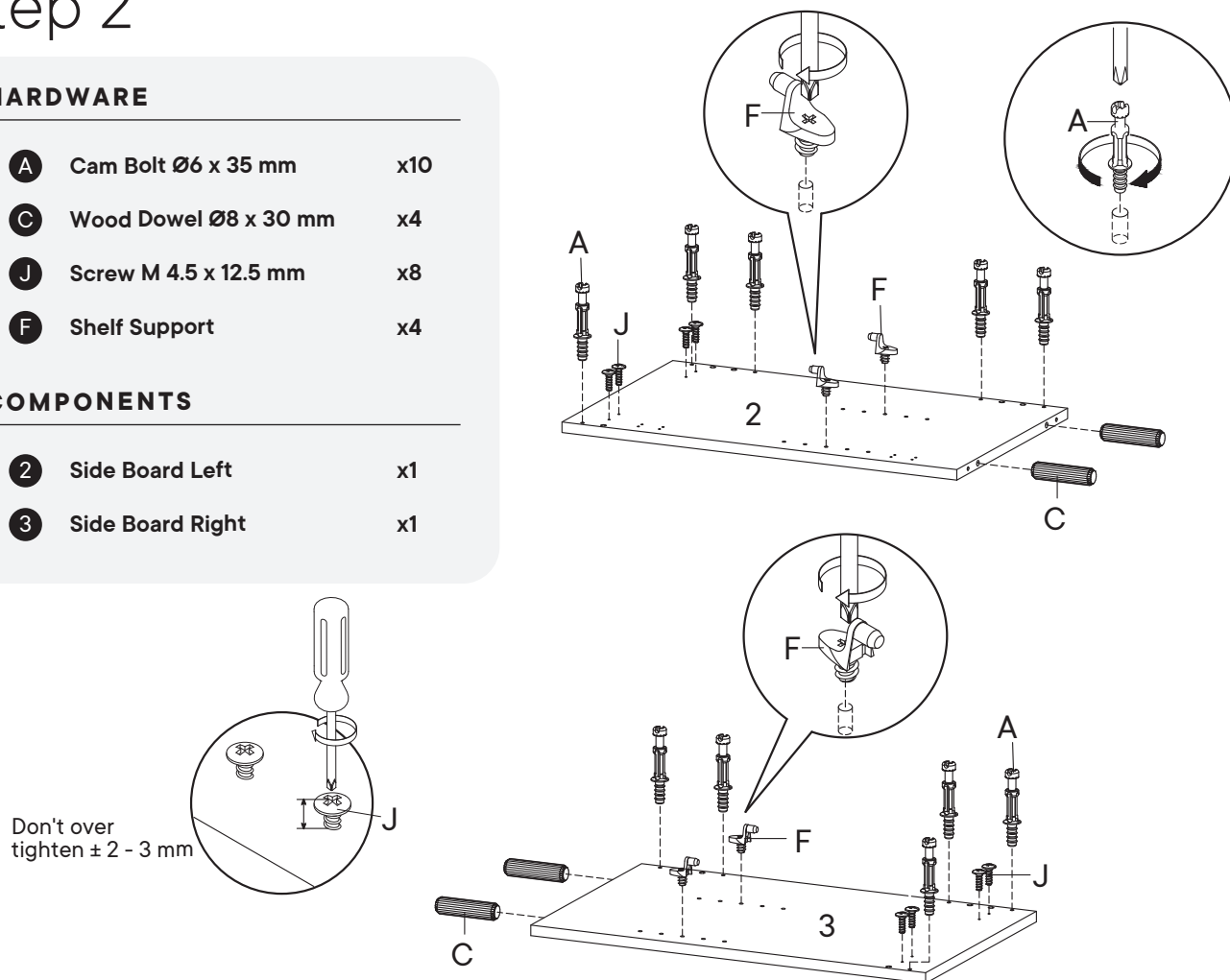
# Step 2

## HARDWARE

- A** Cam Bolt Ø6 x 35 mm x10
- C** Wood Dowel Ø8 x 30 mm x4
- J** Screw M 4.5 x 12.5 mm x8
- F** Shelf Support x4

## COMPONENTS

- 2** Side Board Left x1
- 3** Side Board Right x1



## Step 3

### HARDWARE

**B** Cam Lock Ø15 mm x5

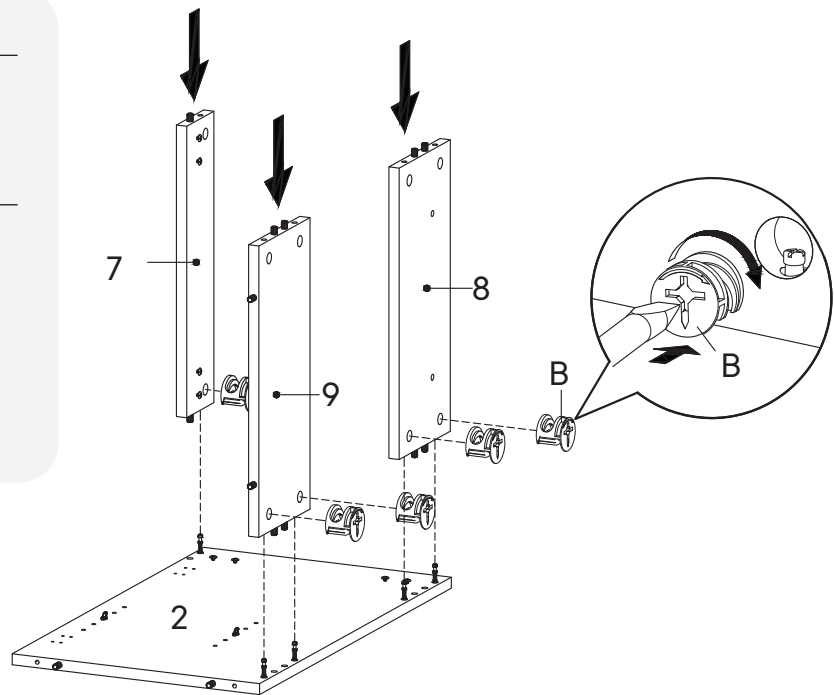
### COMPONENTS

**2** Side Board Left x1

**7** Front Skirt x1

**8** Back Board 1 x1

**9** Back Board 2 x1



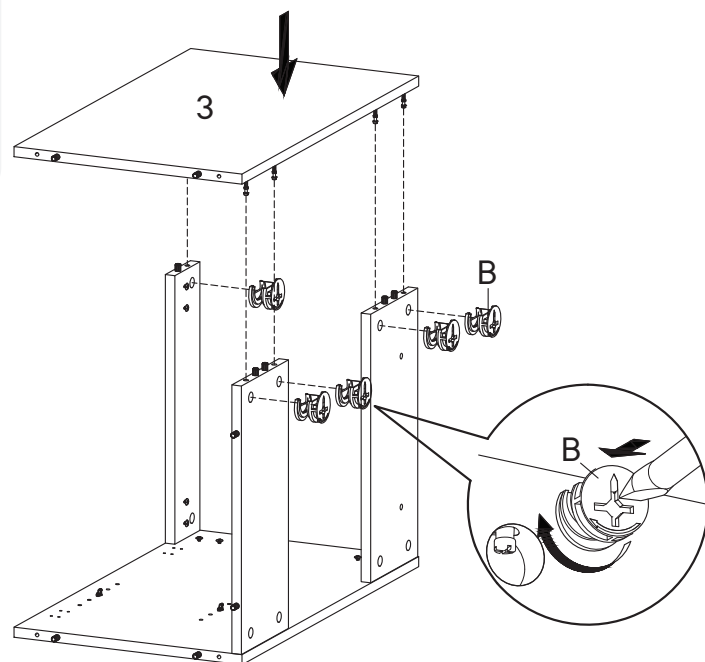
## Step 4

### HARDWARE

**B** Cam Lock Ø15 mm x5

### COMPONENTS

**3** Side Board Right x1



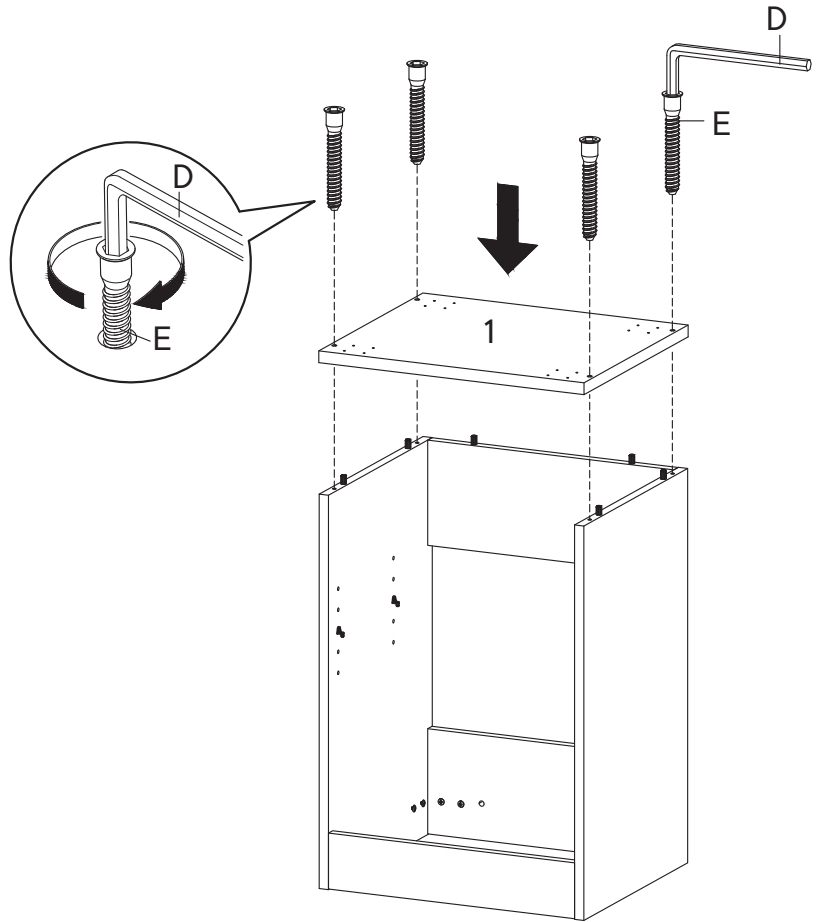
# Step 5

## HARDWARE

- D** Allen Key x1
- E** Screw M 7 x 50 mm x4

## COMPONENTS

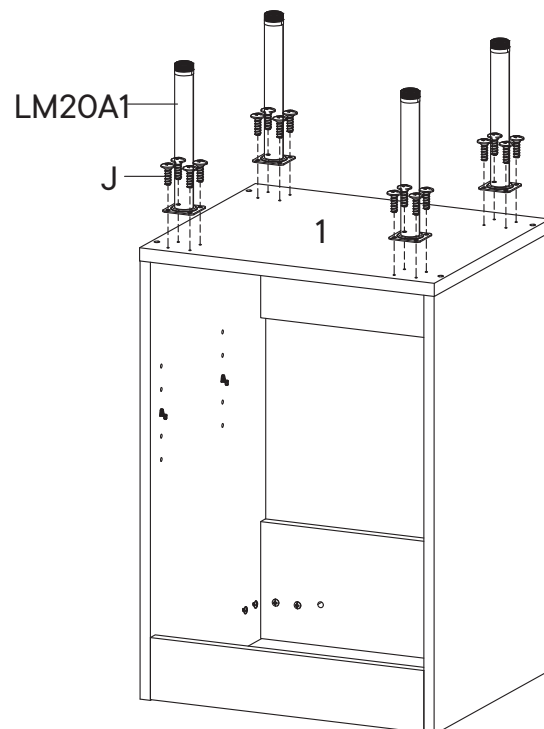
- 1** Bottom Board x1



# Step 6

## HARDWARE

- J** Screw M 4.5 x 12.5 mm x16
- LM20A1** Leg x4



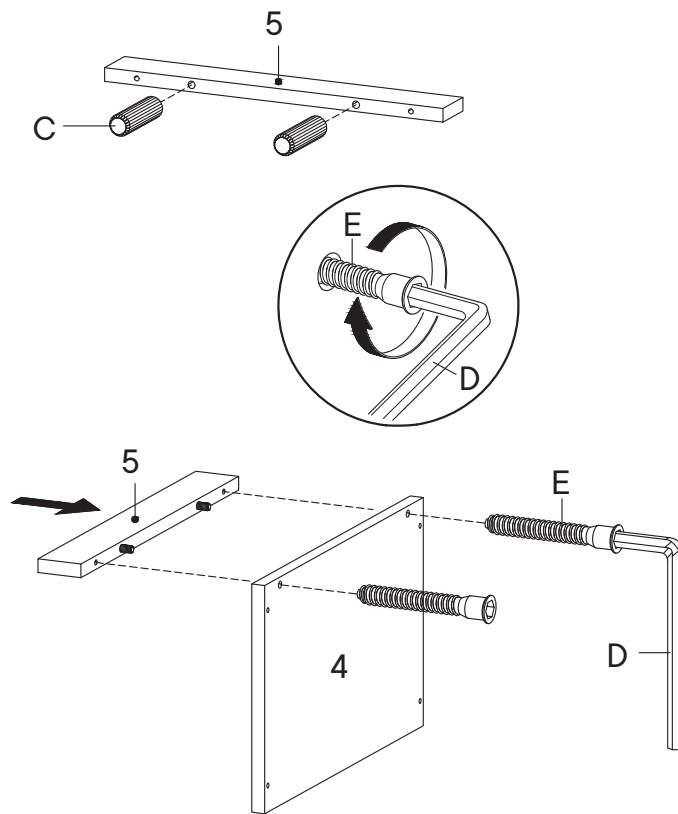
# Step 7

## HARDWARE

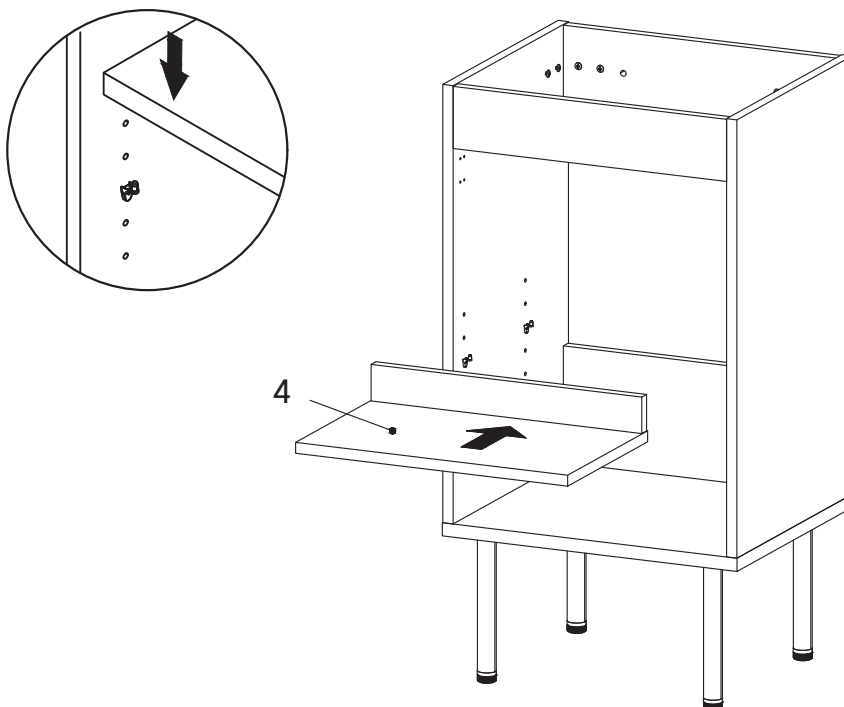
- C** Wood Dowel Ø8 x 30 mm x2
- D** Allen Key x1
- E** Screw M 7 x 50 mm x2

## COMPONENTS

- 4** Adjustable Shelf x1
- 5** Support Board x1



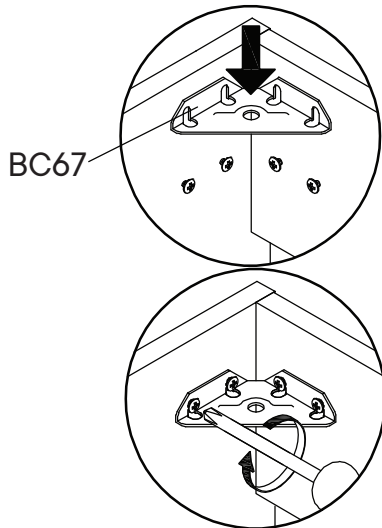
# Step 8



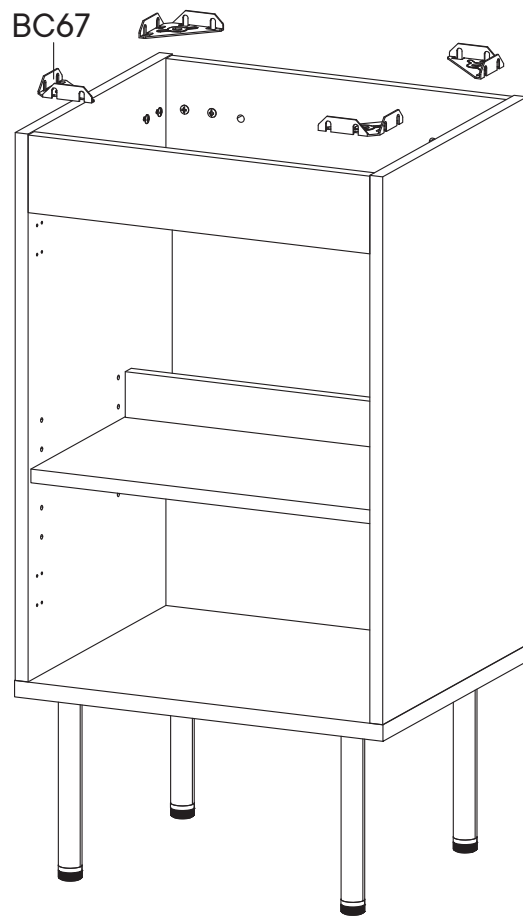
# Step 9

## HARDWARE

**BC67** Bracket x4



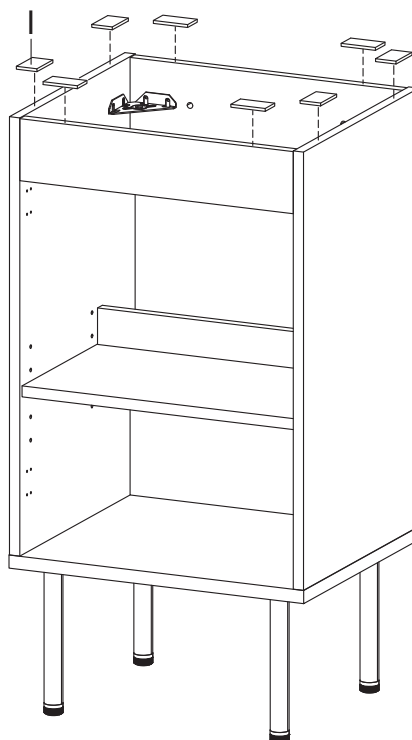
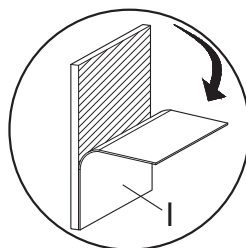
NOTE :  
Tighten all the screw



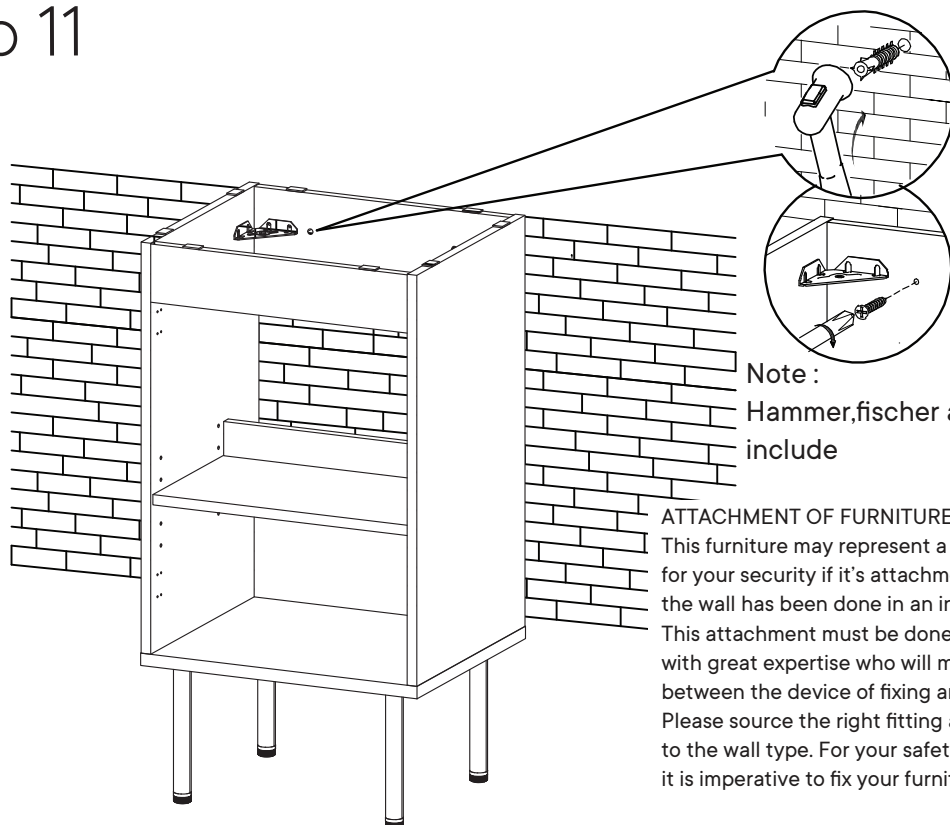
# Step 10

## HARDWARE

**I** Foam/Rubber Pad x8



## Step 11



Note :

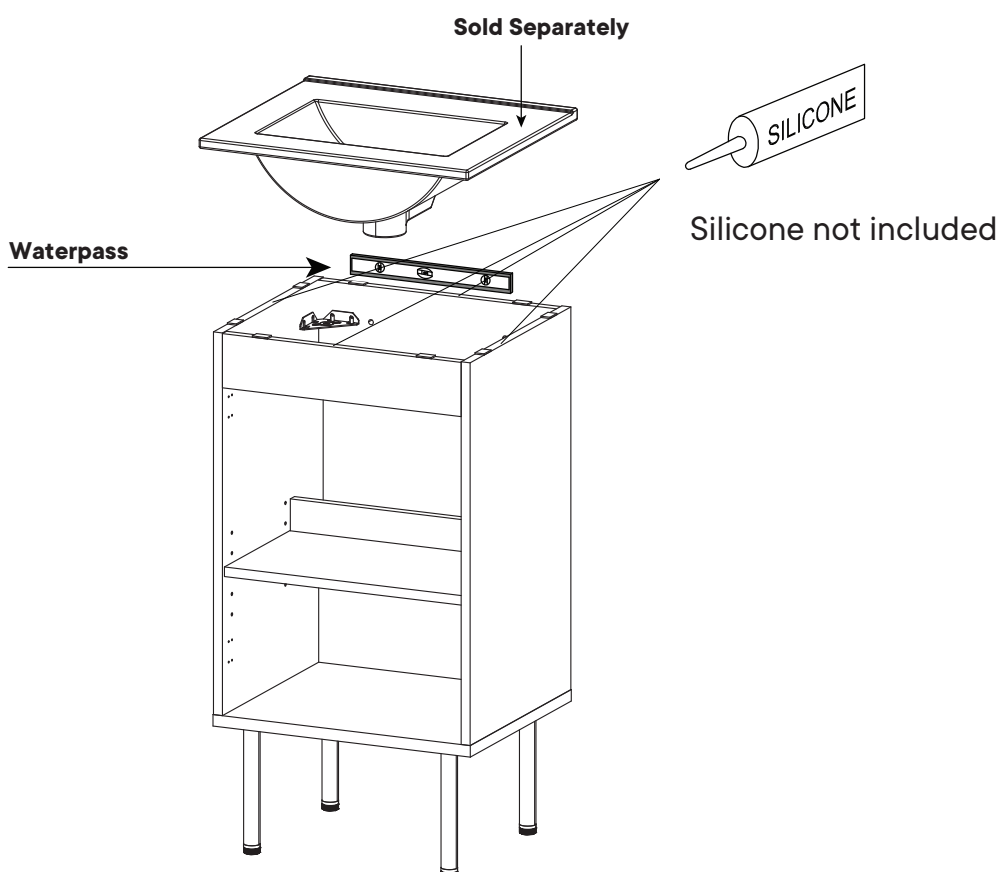
Hammer, fischer and screw not include

### ATTACHMENT OF FURNITURE

This furniture may represent a danger for your security if it's attachment on the wall has been done in an incorrect way. This attachment must be done by a person with great expertise who will make sure adequacy between the device of fixing and the wall. Please source the right fitting according to the wall type. For your safety, it is imperative to fix your furniture to the wall

## Step 12

Apply a thin bead of silicone compound around the vanity base and set the vanity top carefully in place. Remove any excess silicone compound with a wet rag





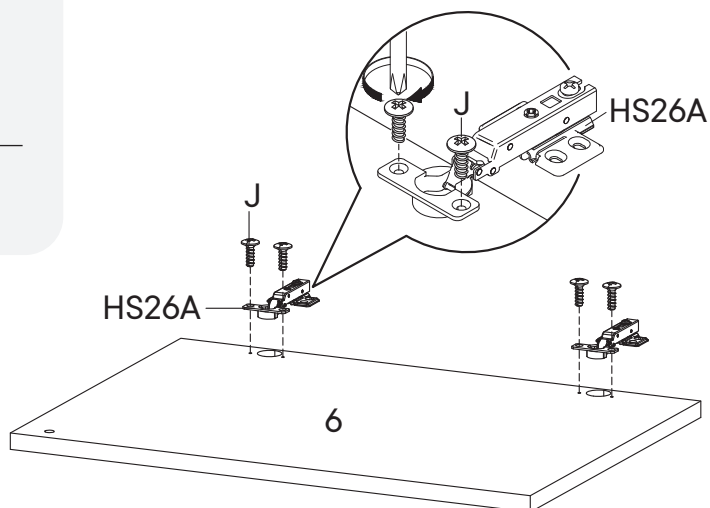
# Step 13

## HARDWARE

- J** Screw M 4.5 x 12.5 mm x4
- HS26A** Hinge x2

## COMPONENTS

- 6** Door x1



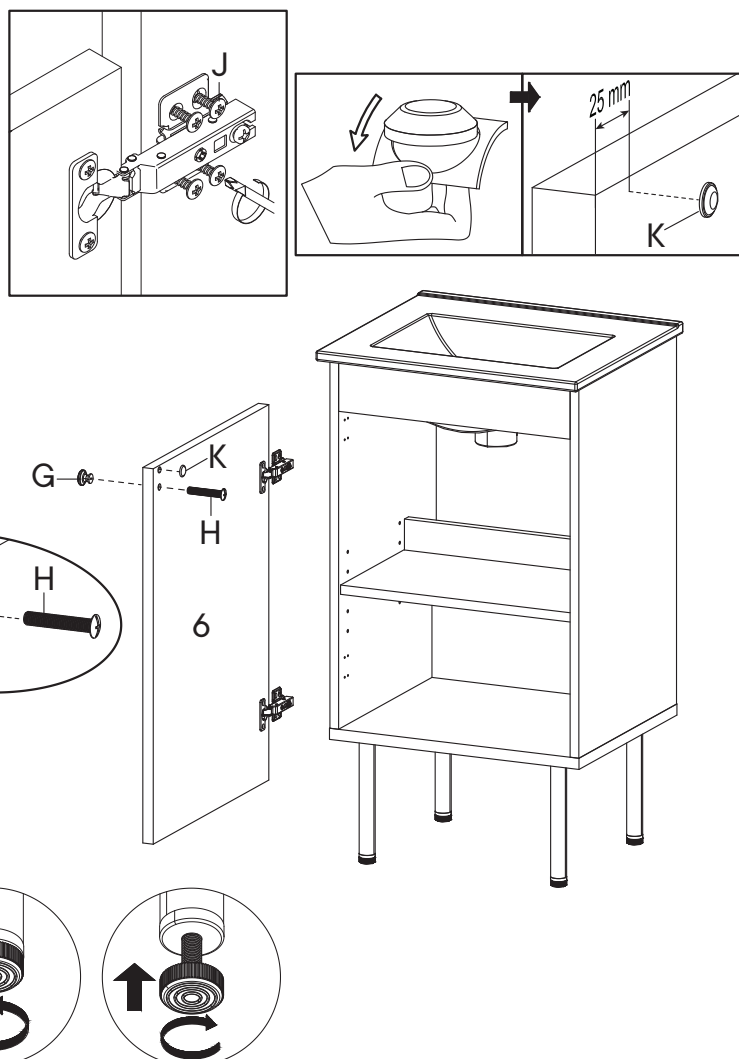
# Step 14

## HARDWARE

- G** Door Knob x1
- H** Screw M 4 x 22 mm x1
- J** Screw M 4.5 x 12.5 mm x8
- K** Silicon Bumper x1

## COMPONENTS

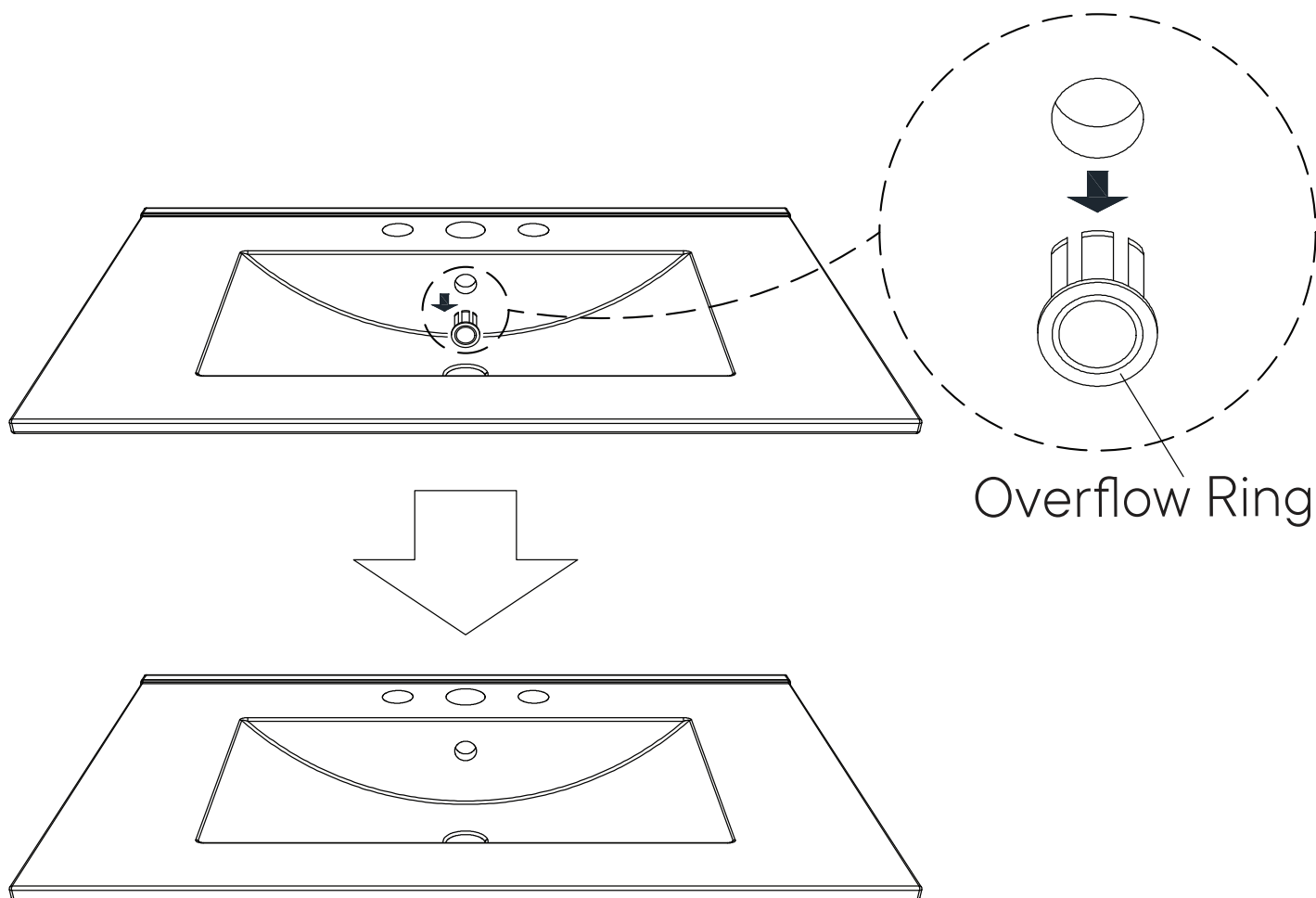
- 6** Door x1



# A quick note...

\*modway

Your sink basin comes complete with a silver overflow ring.  
If you'd like to remove this overflow ring, you can do so by hand.



**Wait!**

**Missing parts or hardware? Need assistance?**

Contact us before returning your item. We're here to help!

609.256.9000 • [cs@modway.com](mailto:cs@modway.com)

# Great job!

Cabinet assembly is complete.

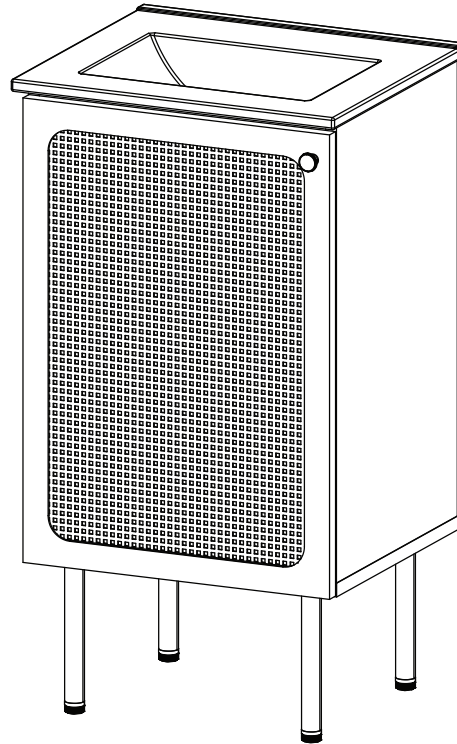
## ♥ CARING FOR YOUR ITEM

Indoor use only.

Not contract grade.

Clean using a non-abrasive cloth and a mild cleaner.

Never use harsh chemicals, as they could damage the finish or integrity of the item.



CONNECT WITH US!   

Tag us [@modway\\_furniture](#) and [#modway](#) for a chance to be featured.