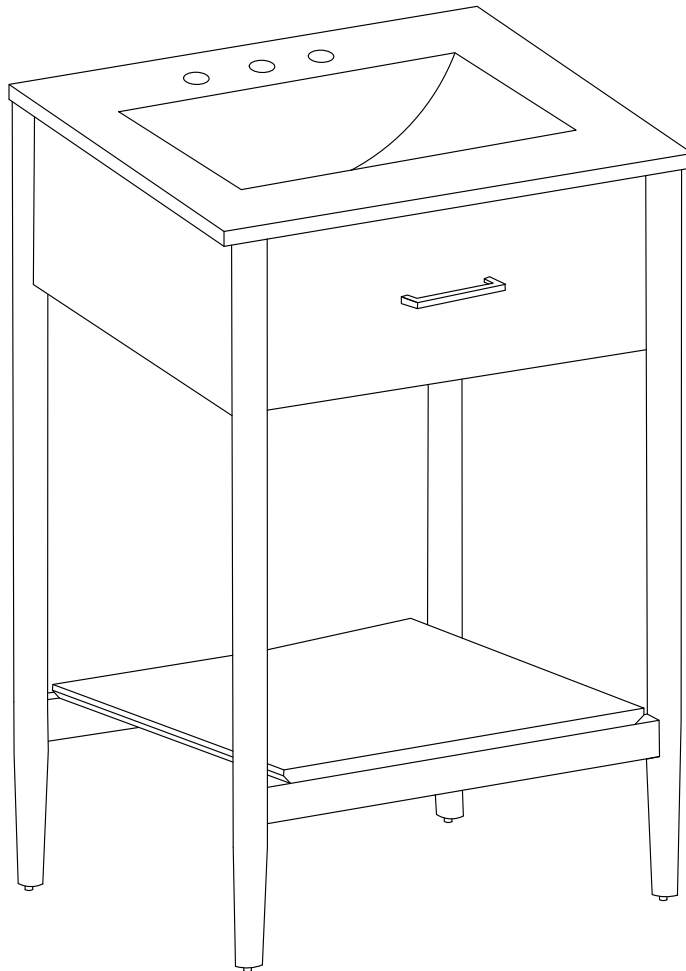


ASSEMBLY INSTRUCTIONS

EEI-6351

V1.02.02.23



Questions? Contact us!

609.256.9000 • cs@modway.com
www.modway.com

***modway**

Let's get started!

***modway**



Read through all of the instructions before starting



Care instructions are listed in the last step of this manual



Approx. 60 minutes assembly time



Make sure you have all parts and components before discarding any packing materials



2 people recommended for assembly

Only use hand tools to assemble this item. Do not use power tools. Do not tighten bolts or screw completely until all hardware is lined up and inserted into the holes.

Do not over-tighten screw and bolts to avoid stripping the hardware or cracking the item.

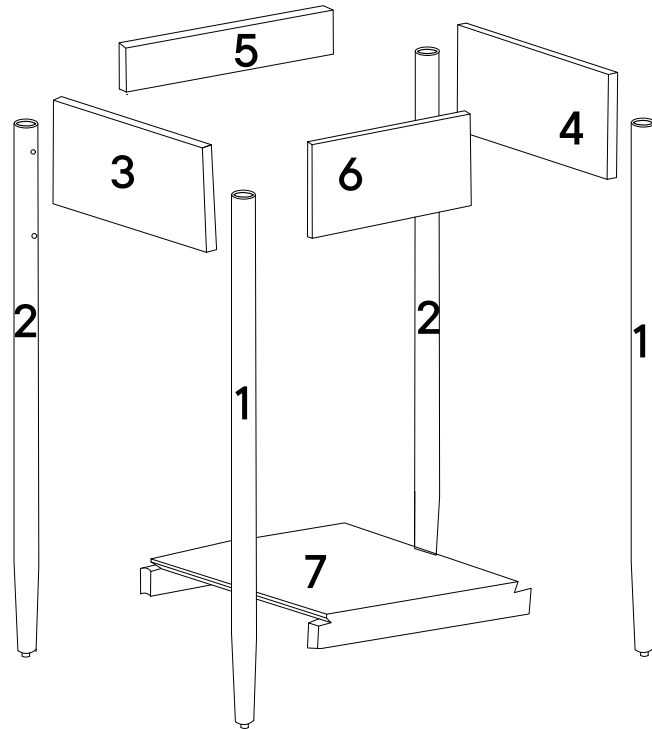
For vanity and plumbing installation, we suggest hiring a professional contractor and plumber.

Assemble your item on a flat carpeted area, with plenty of space to work. This will prevent damage and scratches to your floors or the item while you're assembling the product.

Keep all components and packaging out of reach of children or animals to avoid risk of choking or suffocation.

Furniture component :

1	Leg front	x2
2	Leg back	x2
3	Side panel left	x1
4	Side panel right	x1
5	Back panel	x1
6	Front panel	x1
7	Bottom panel	x1



Provided hardware:

A		Wood dowel Ø8 x 40mm	x20
B		Cam lock Ø15mm	x18
C		Cam bolt M6 x 40mm	x18
D		Handle	x1
E		Screw M4 x 20mm	x2
F		Screw M4 x 16mm	x8
G		Metal bracket	x2
H		Leveler (pre assembled)	x4
I		Felt (pre assembled)	x4

What you need:

Phillips head screwdriver.

You may also need:

- + Power Drill
- + Level
- + Silicone Adhesive or caulk
- + Drywall Anchors and Screws
- + Other Wall-Mounting Hardware

Wait!

Missing parts or hardware? Need assistance?
Contact us before returning your items. We're here to help!
609.256.9000 . cs@modway.com

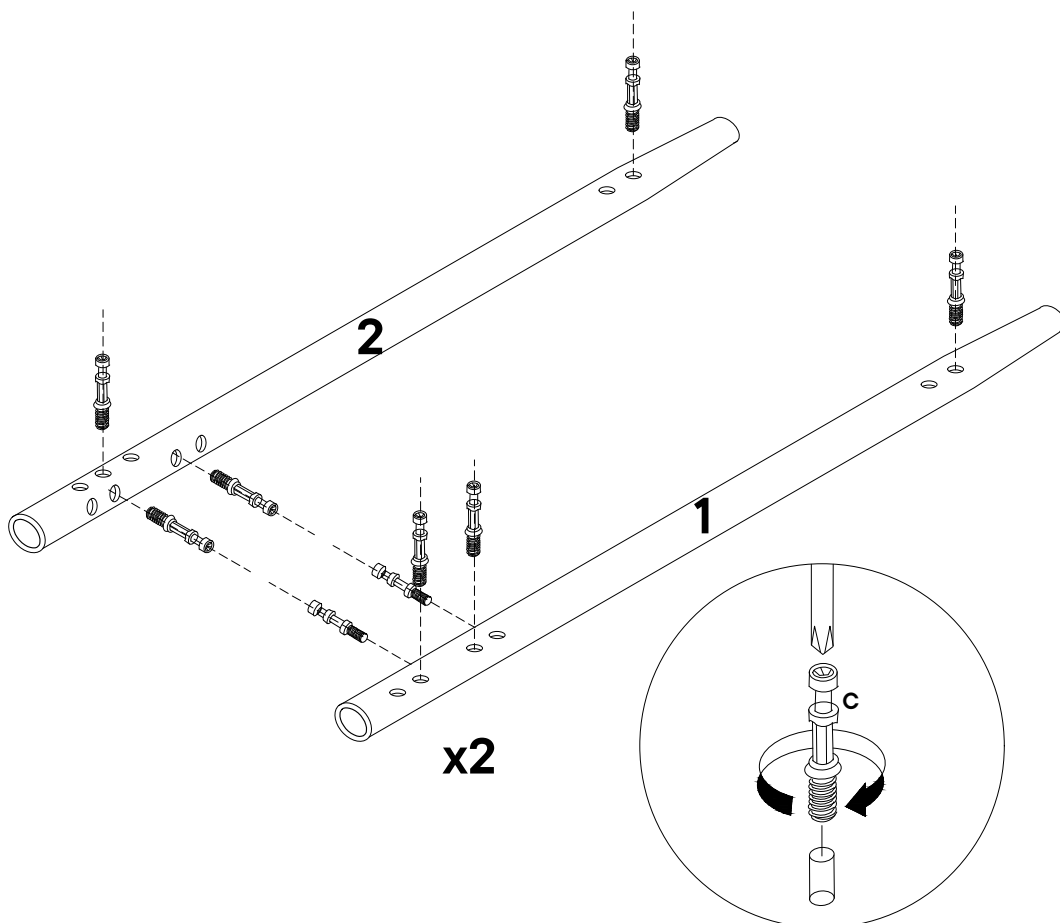
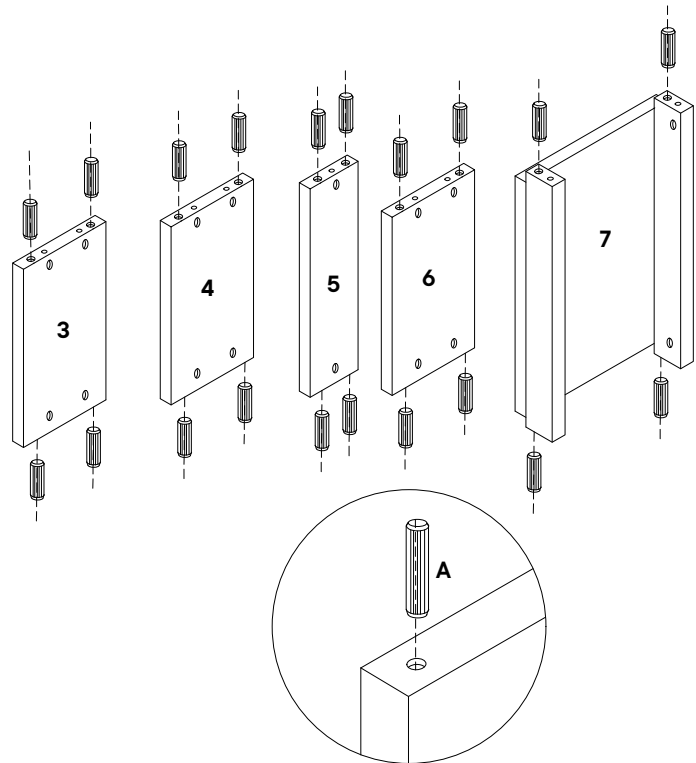
Step 1

HARDWARE

- A** Wood dowel Ø8 x 40mm x20
- C** Cam bolt M6 x 40mm x18

COMPONENTS

- 1** Leg front x2
- 2** Leg back x2
- 3** Side panel left x1
- 4** Side panel right x1
- 5** Back panel x1
- 6** Front panel x1
- 7** Bottom panel x1



Step 2

HARDWARE

B Cam lock Ø15mm x8

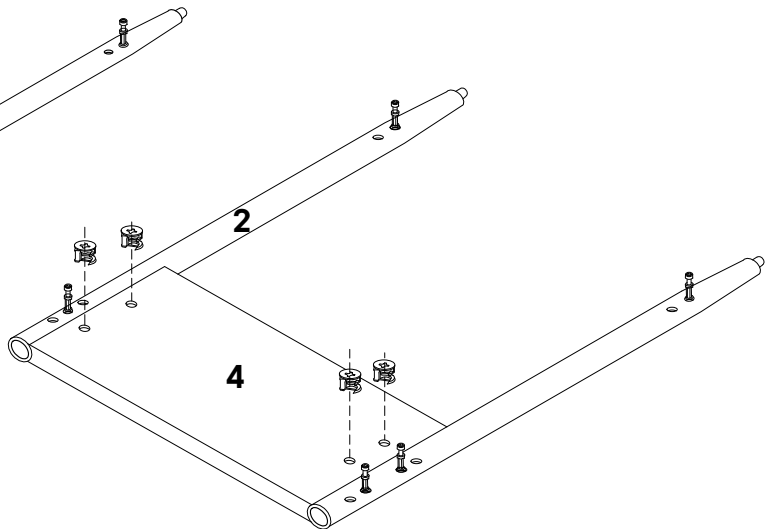
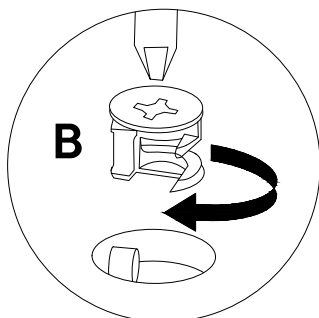
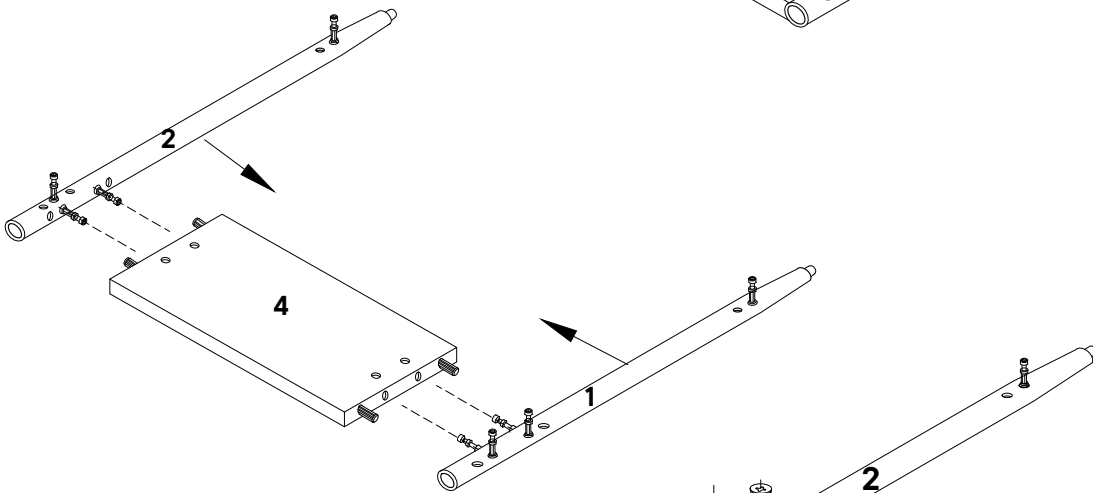
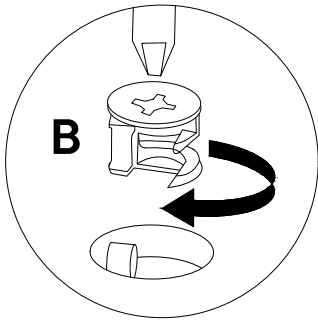
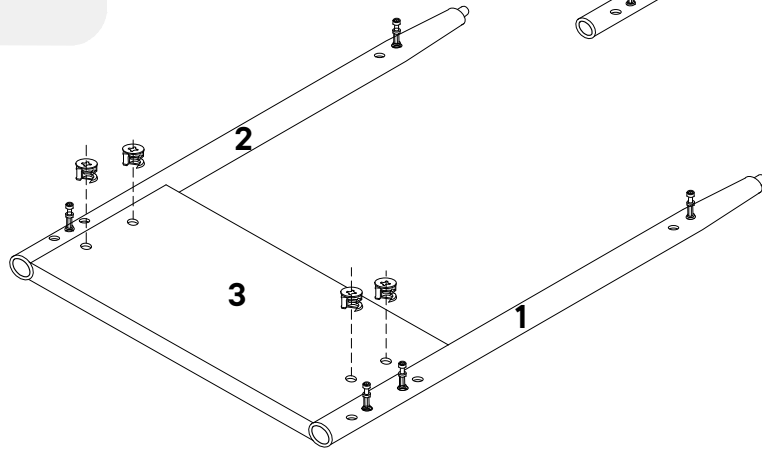
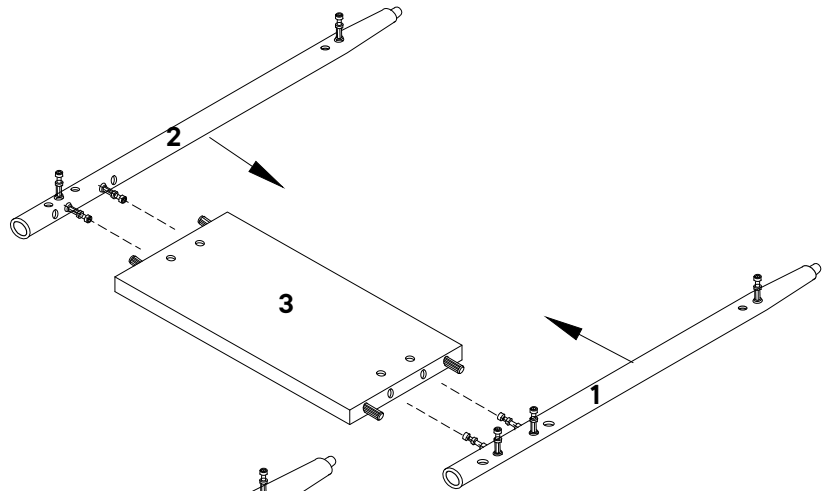
COMPONENTS

1 Leg front x2

2 Leg back x2

3 Side panel left x1

4 Side panel right x1



Step 3

HARDWARE

B Cam lock Ø15mm x5

COMPONENTS

1 Leg front x1

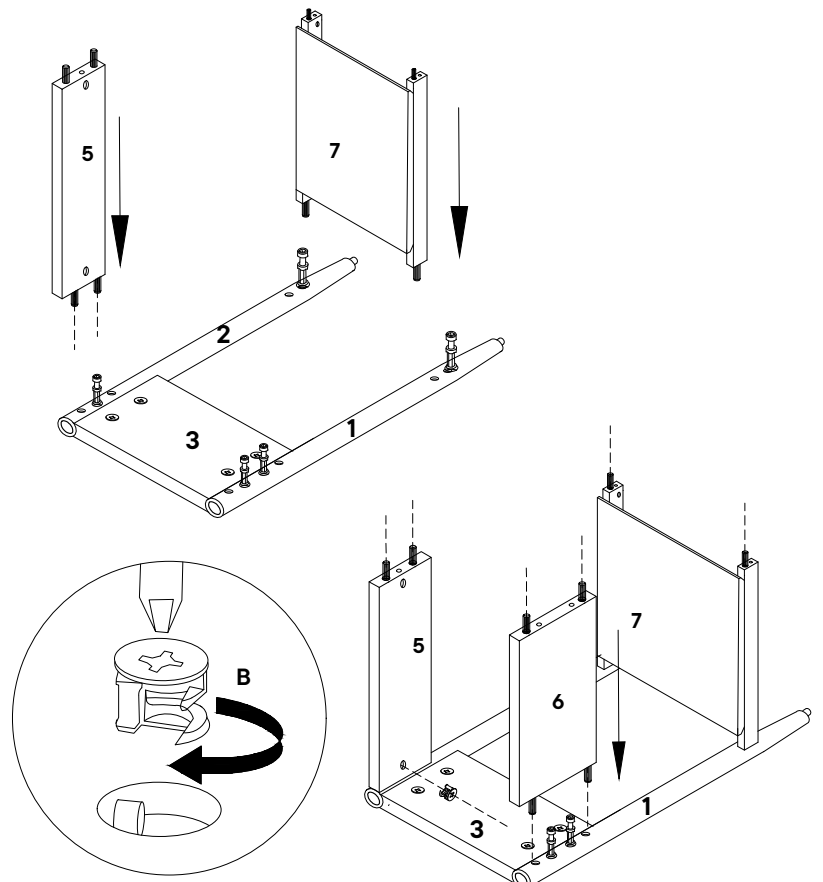
2 Leg back x1

3 Side panel left x1

5 Back panel x1

6 Front panel x1

7 Bottom panel x1



Step 4

HARDWARE

B Cam lock Ø15mm x5

COMPONENTS

1 Leg front x2

2 Leg back x2

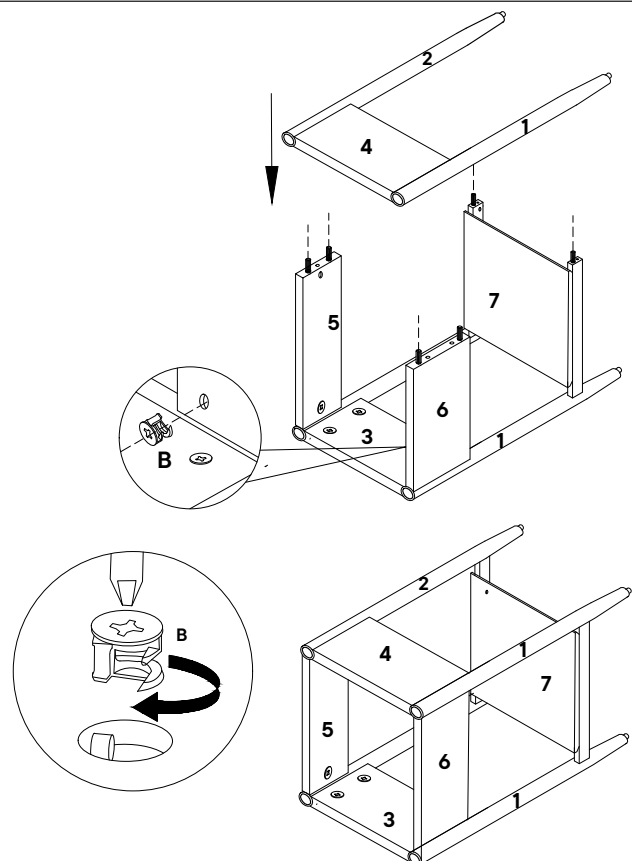
3 Side panel left x1

4 Side panel right x1

5 Back panel x1

6 Front panel x1

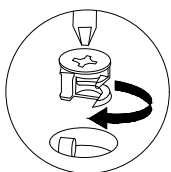
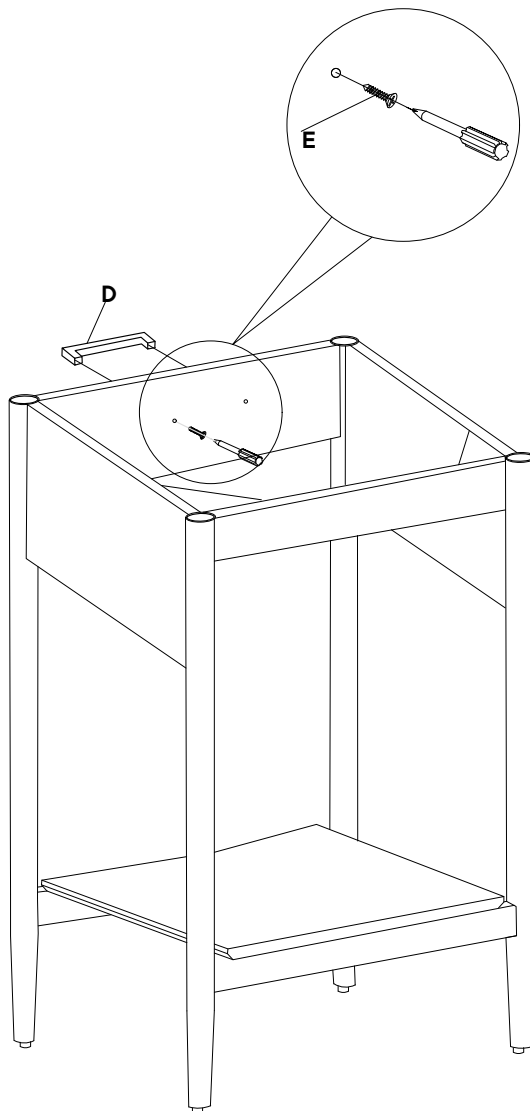
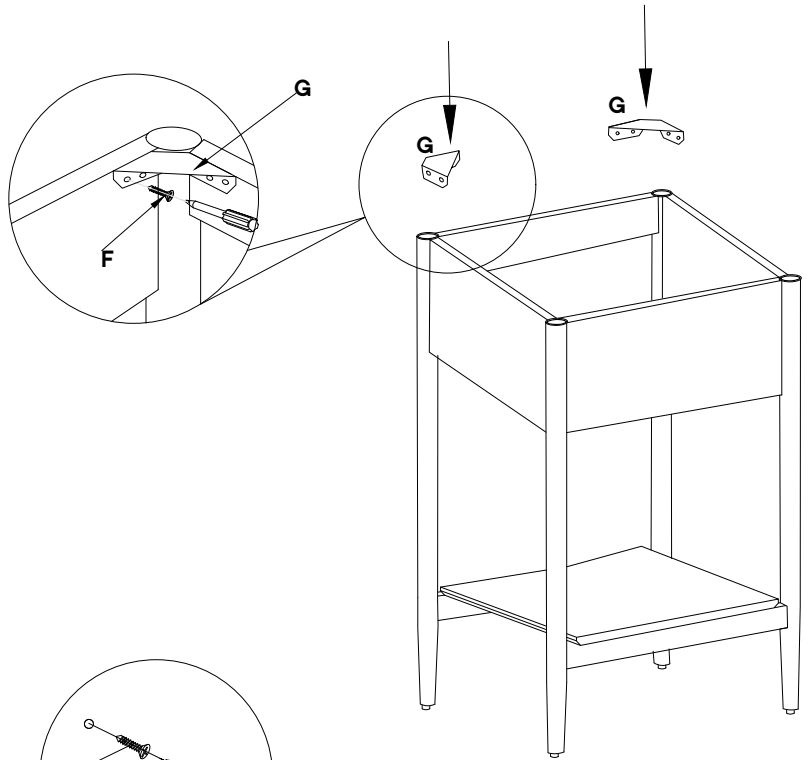
7 Bottom panel x1



Step 5

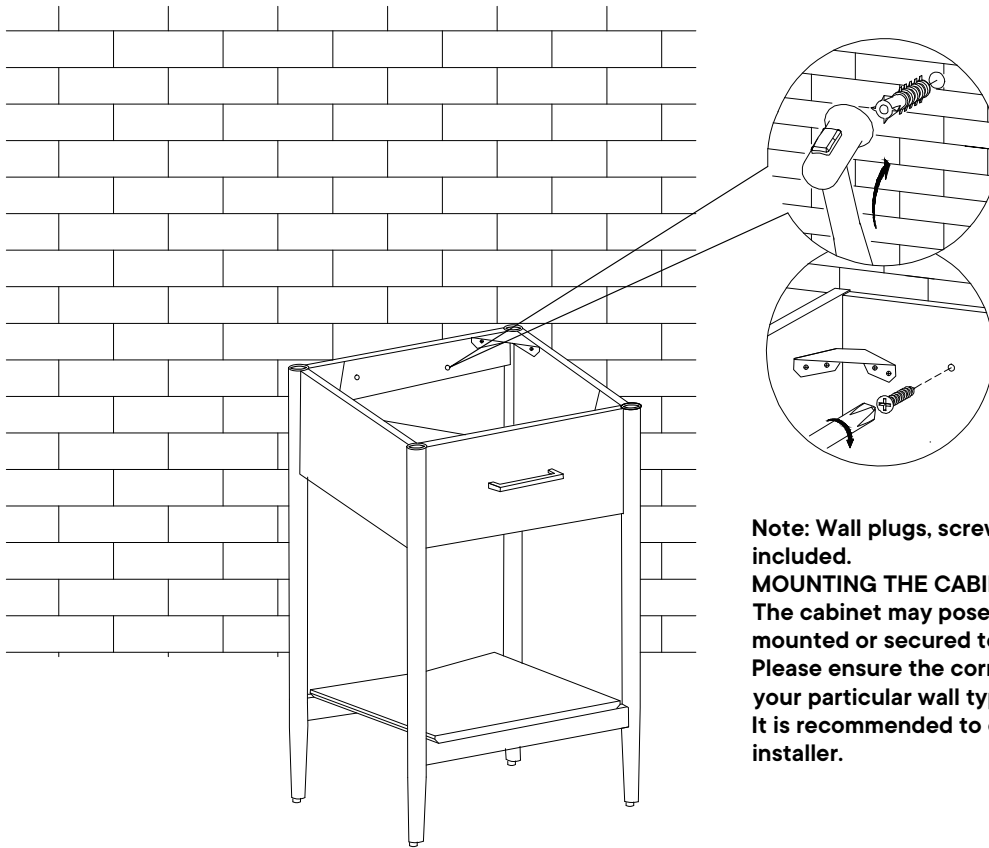
HARDWARE

D	Handle	x1
E	Screw M4 x 20mm	x2
F	Screw M4 x 16mm	x8
G	Metal bracket	x2



Note:- Full tighten all cam lock and screw here.

Step 6



Note: Wall plugs, screws and tools are not included.

MOUNTING THE CABINET TO THE WALL

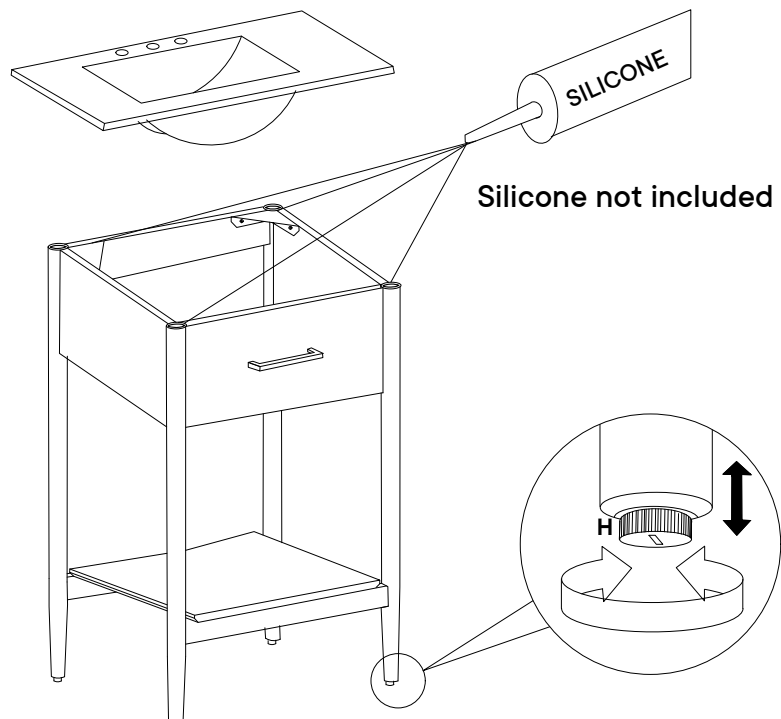
The cabinet may pose a danger if not properly mounted or secured to the wall.

Please ensure the correct hardware is used for your particular wall type.

It is recommended to engage a professional installer.

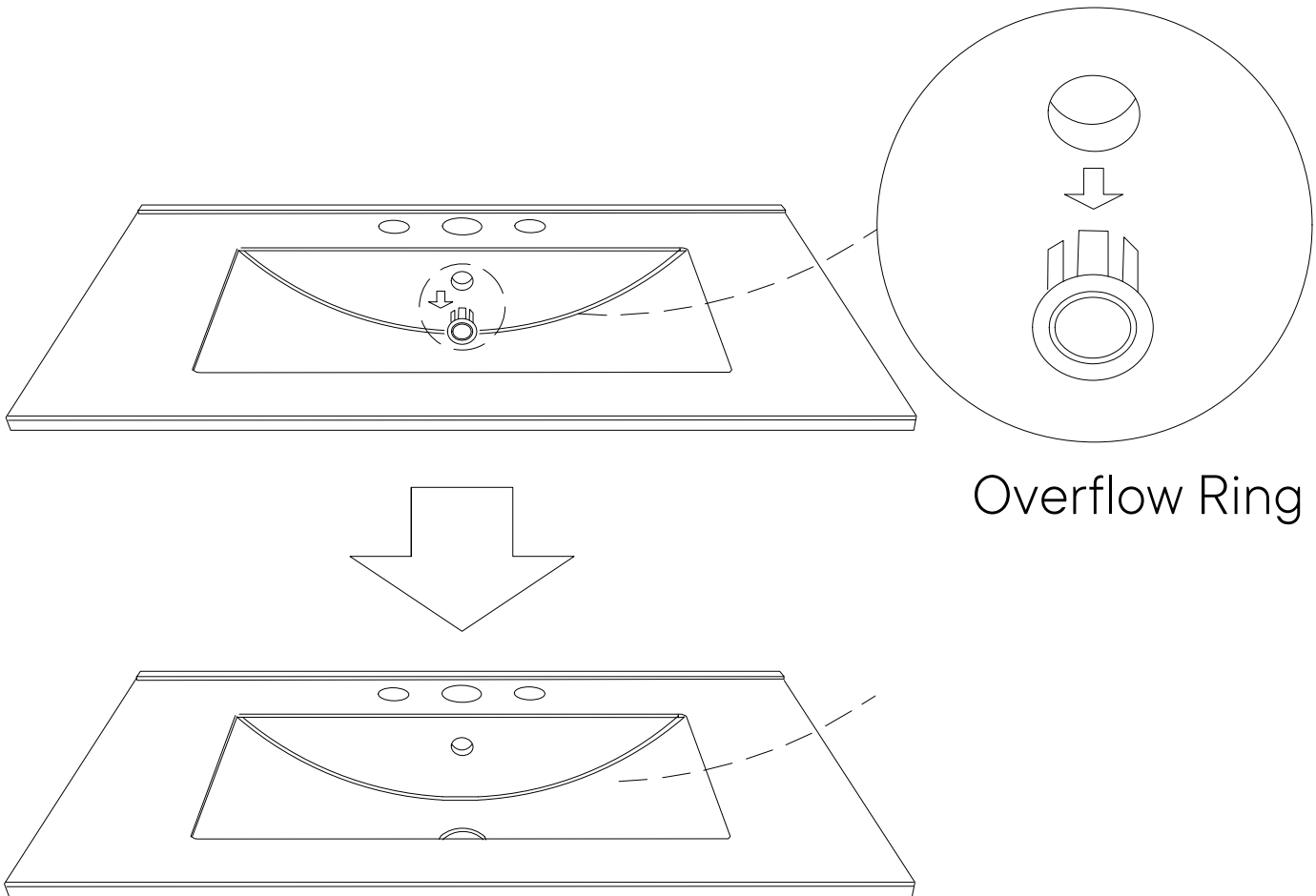
Step 7

Apply a thin bead of silicone compound around the vanity base and set the vanity top carefully in place. Remove any excess silicone compound with a wet rag



A quick note...

Your sink basin comes complete with a silver overflow ring.
If you'd like to remove this overflow ring, you can do so by hand.



Overflow Ring

Wait!

Missing parts or hardware? Need assistance?
Contact us before returning your items. We're here to help!
609.256.9000 . cs@modway.com

Great job!

Vanity assembly is complete.

♥ CARING FOR YOUR ITEM

Indoor use only.

Not contract grade.

Clean using a non-abrasive cloth and a mild cleaner.

Never use harsh chemicals, as they could damage the finish or integrity of the item.

CONNECT WITH US!



Tag us **@modway_furniture** and **#modway** for a chance to be featured.

