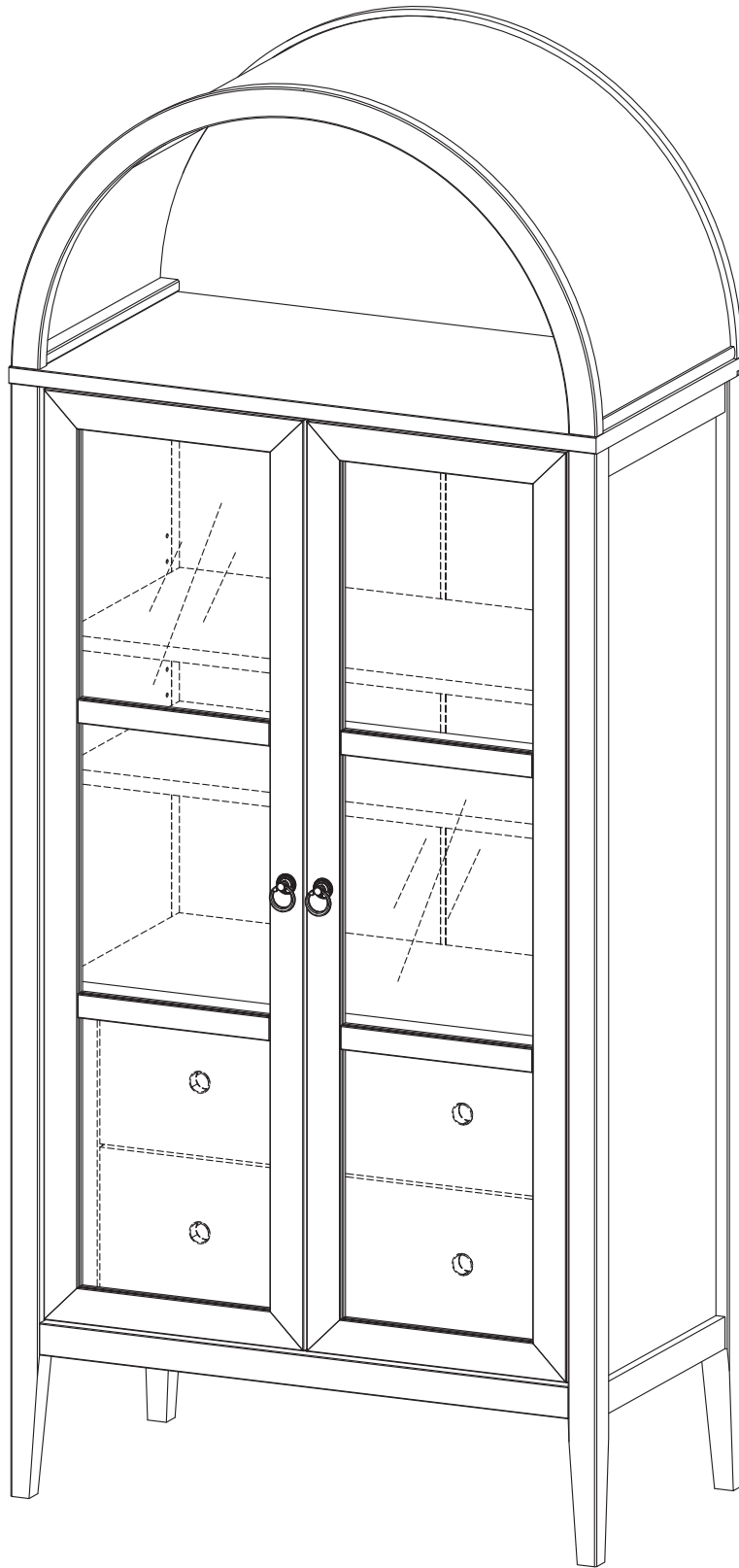


ASSEMBLY INSTRUCTIONS

EEI-6639

V0.08.07.23



Questions? Contact us!

609.256.9000 • cs@modway.com
www.modway.com

*modway



Read through all of the instructions before starting



Care instructions are listed in the last step of this manual



Approx. 90 minutes assembly time



Make sure you have all parts and components before discarding any packing materials



2 people recommended for assembly

Only use hand tools to assemble this item. Do not use power tools. Do not tighten bolts or screws completely until all hardware is lined up and inserted into the holes.

Do not over-tighten screws and bolts to avoid stripping the hardware or cracking the item.

Assemble your item on a flat, carpeted area, with plenty of space to work. This will prevent damage and scratches to your floors or the item while you're assembling the product.

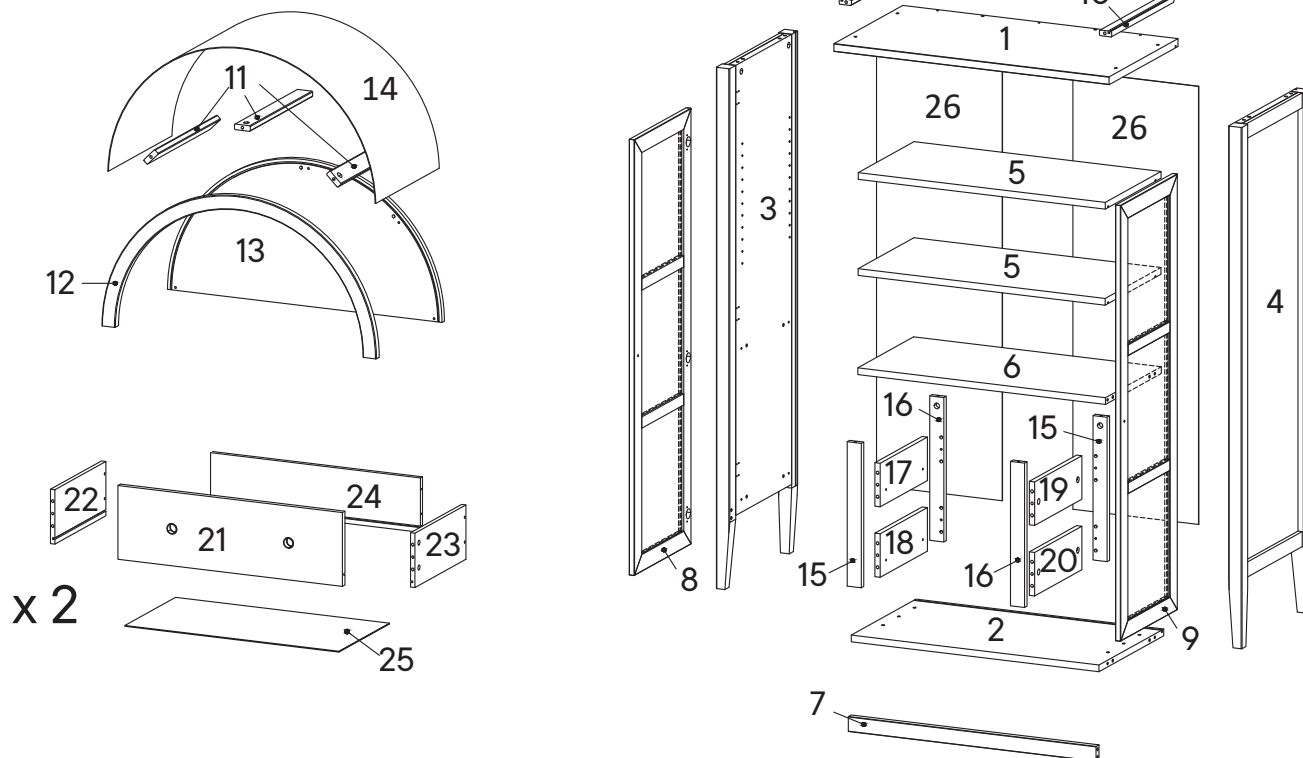
Keep all components and packaging out of reach of children or animals to avoid risk of choking or suffocation.

Furniture components:

1	Top Board	x1
2	Bottom Board	x1
3	Side Board Left	x1
4	Side Board Right	x1
5	Adjustable Shelf	x2
6	Fixed Shelf	x1
7	Bottom Skirt	x1
8	Door Left	x1
9	Door Right	x1

10	Support Board 1 Hutch	x2
11	Support Board 2 Hutch	x3
12	Front Board Hutch	x1
13	Back Board Hutch	x1
14	PVC Board	x1
15	Support Board 1	x2
16	Support Board 2	x2
17	Side Board Drawer 1	x1
18	Side Board Drawer 2	x1


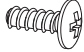












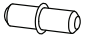







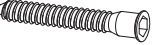




19	Side Board Drawer 3	x1
20	Side Board Drawer 4	x1
21	Front Drawer	x2
22	Side Drawer Left	x2
23	Side Drawer Right	x2
24	Back Drawer	x2
25	Bottom Drawer	x2
26	Back Board	x2



Wait!

Missing parts or hardware? Need assistance?
Contact us before returning your item. We're here to help!
609.256.9000 • cs@modway.com

Provided hardware:

A		Cam Bolt Ø6 x 35 mm	x42	L		Screw M 4.5 x 12.5 mm	x40	W		Plate	x1
B		Cam Lock Ø15 mm	x34	M		Wedge	x20	X		Rubber	x2
C		Wood Dowel Ø8 x 30 mm	x41	N		Screw M 3.5 x 15.5 mm	x20	RM30A		Drawer Runner	x2
D		Screw M 6.4 x 25 mm	x4	O		Handle	x4	HS26C		Hinge	x6
E		Screw M 8 x 39 mm	x11	P		Allen Key	x2	What you need:			
F		Shelf Pin	x8	Q		List Join	x1		Phillips	Phillips Head Screwdriver	
G		Screw Cap Ø15 mm	x4	R		Cam Lock Ø12 mm	x8				
H		Stopper	x2	S		Wood Dowel Ø6 x 30 mm	x4				
I		Handle	x2	T		Screw M 7 x 50 mm	x2				
J		Screw M 4 x 20 mm	x2	U		Screw M 6 x 10.5 mm	x8				
K		Floor Protector	x4	V		Screw M 3.5 x 13 mm	x12				

Components Carton Placement

Carton 1 of 2

Label	Description	Qty
3	Side Board Left	x1
4	Side Board Right	x1
8	Door Left	x1
9	Door Right	x1
14	PVC Board	x1
26	Back Board	x2
	Hardware Pack	x1

Carton 2 of 2

Label	Description	Qty	Label	Description	Qty
1	Top Board	x1	18	Side Board Drawer 2	x1
2	Bottom Board	x1	19	Side Board Drawer 3	x1
5	Adjustable Shelf	x2	21	Front Drawer	x2
6	Fixed Shelf	x1	22	Side Drawer Left	x2
7	Bottom Skirt	x1	23	Side Drawer Right	x2
10	Support Board 1 Hutch	x2	24	Back Drawer	x2
11	Support Board 2 Hutch	x3	25	Bottom Drawer	x2
12	Front Board Hutch	x1			
13	Back Board Hutch	x1			
15	Support Board 1	x2			
16	Support Board 2	x2			
17	Side Board Drawer 1	x1			

Wait!

Missing parts or hardware? Need assistance?
Contact us before returning your item. We're here to help!
609.256.9000 • cs@modway.com

Step 1

HARDWARE

A Cam Bolt $\varnothing 6 \times 35$ mm x8

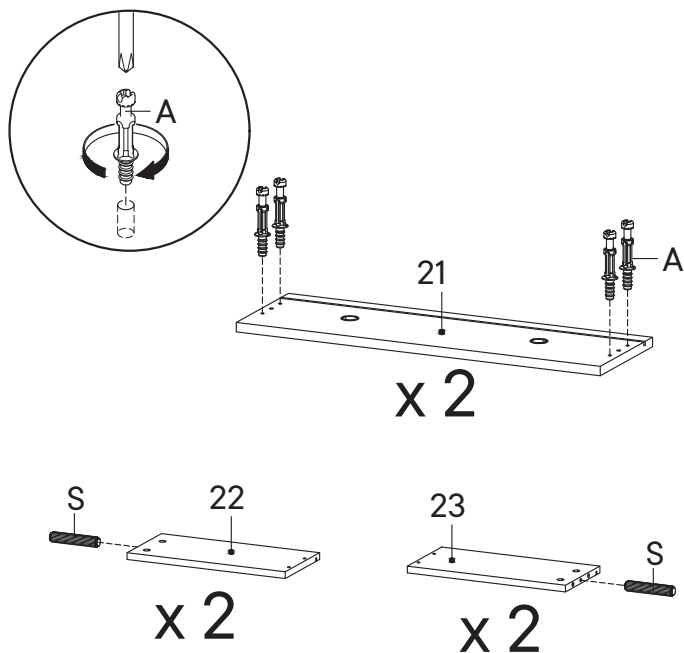
S Wood Dowel $\varnothing 6 \times 30$ mm x4

COMPONENTS

21 Front Drawer x2

22 Side Drawer Left x2

23 Side Drawer Right x2



Step 2

HARDWARE

E Screw M 8 x 39 mm x8

R Cam Lock $\varnothing 12$ mm x8

COMPONENTS

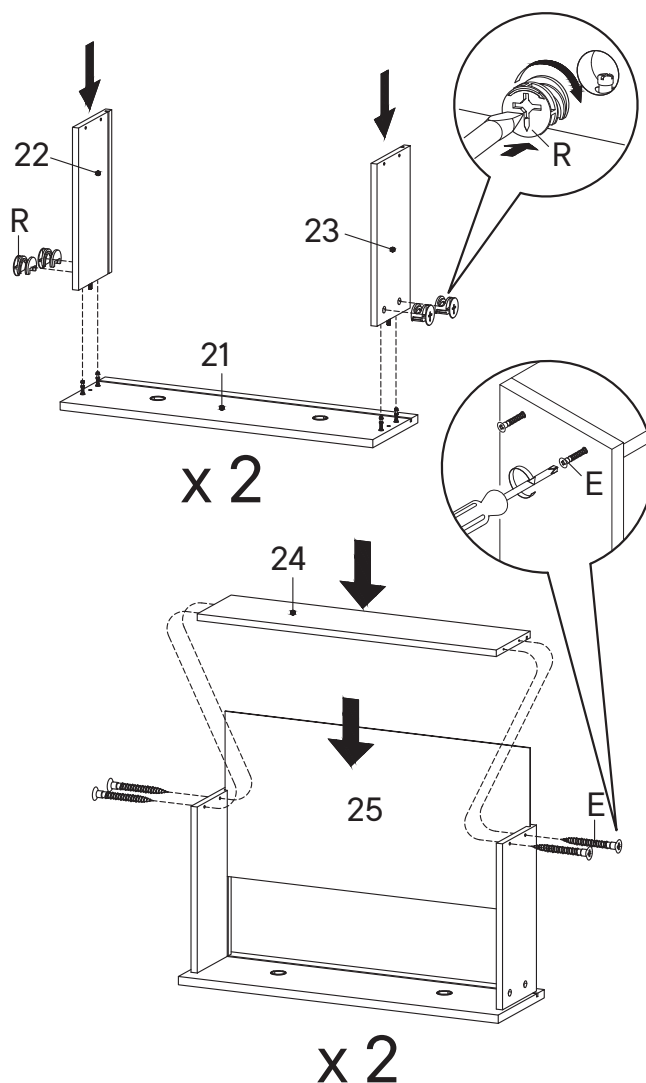
21 Front Drawer x2

22 Side Drawer Left x2

23 Side Drawer Right x2

24 Back Drawer x2

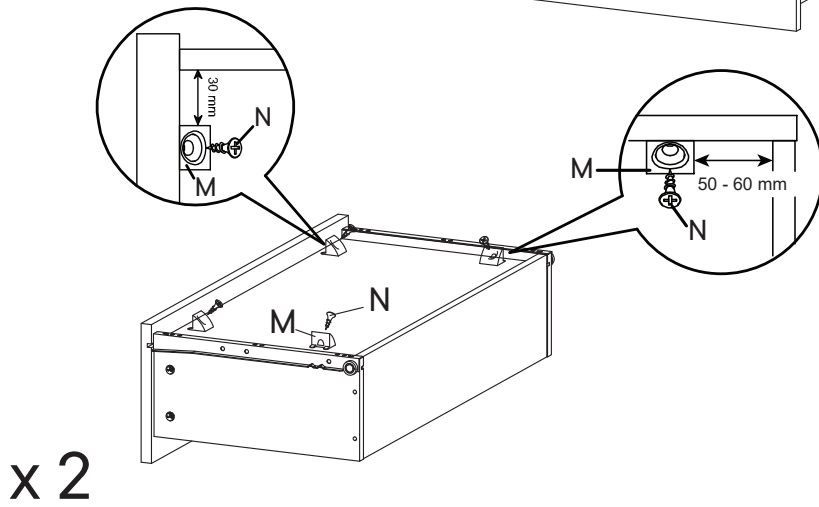
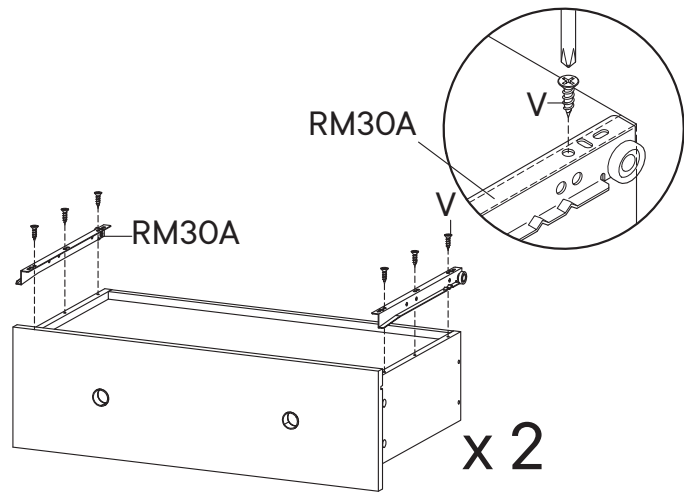
25 Bottom Drawer x2



Step 3

HARDWARE

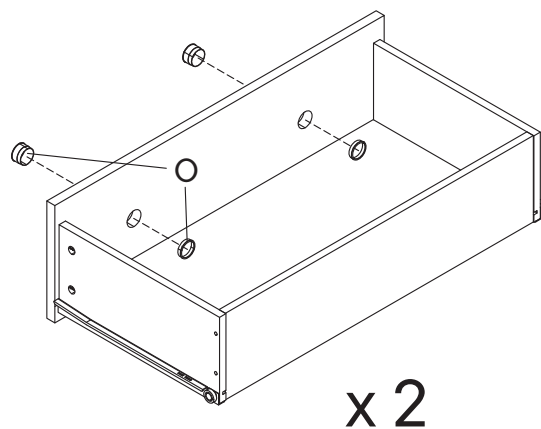
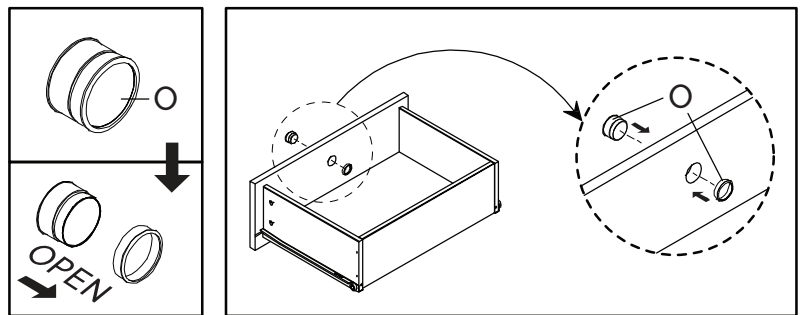
- M** Wedge x8
- N** Screw M 3.5 x 15.5 mm x8
- V** Screw M 3.5 x 13 mm x12
- RM30A** Drawer Runner x2



Step 4

HARDWARE

- O** Handle x2



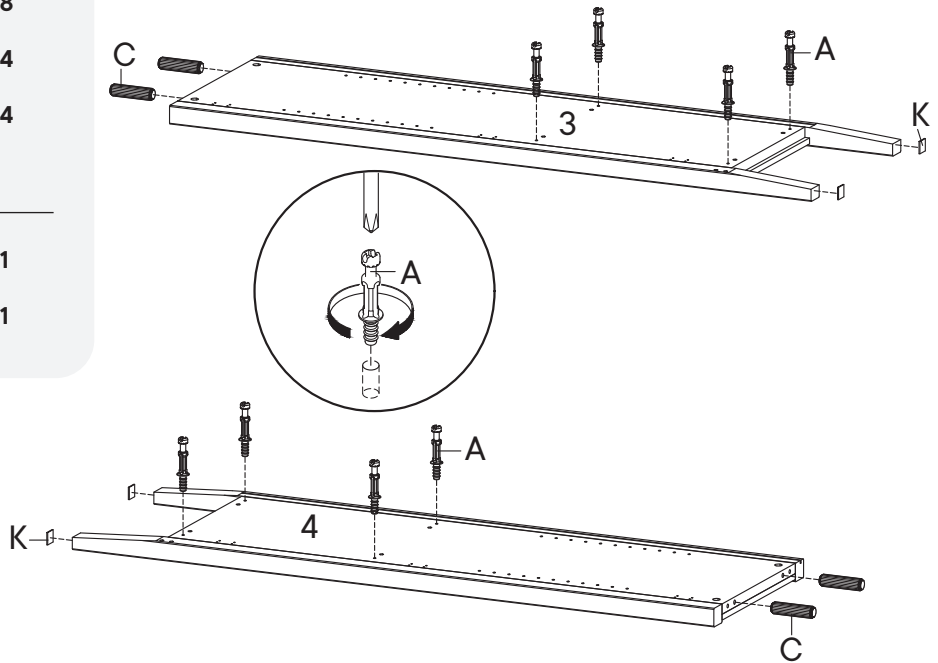
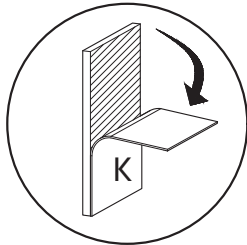
Step 5

HARDWARE

- A** Cam Bolt Ø6 x 35 mm x8
- C** Wood Dowel Ø8 x 30 mm x4
- K** Floor Protector x4

COMPONENTS

- 3** Side Board Left x1
- 4** Side Board Right x1



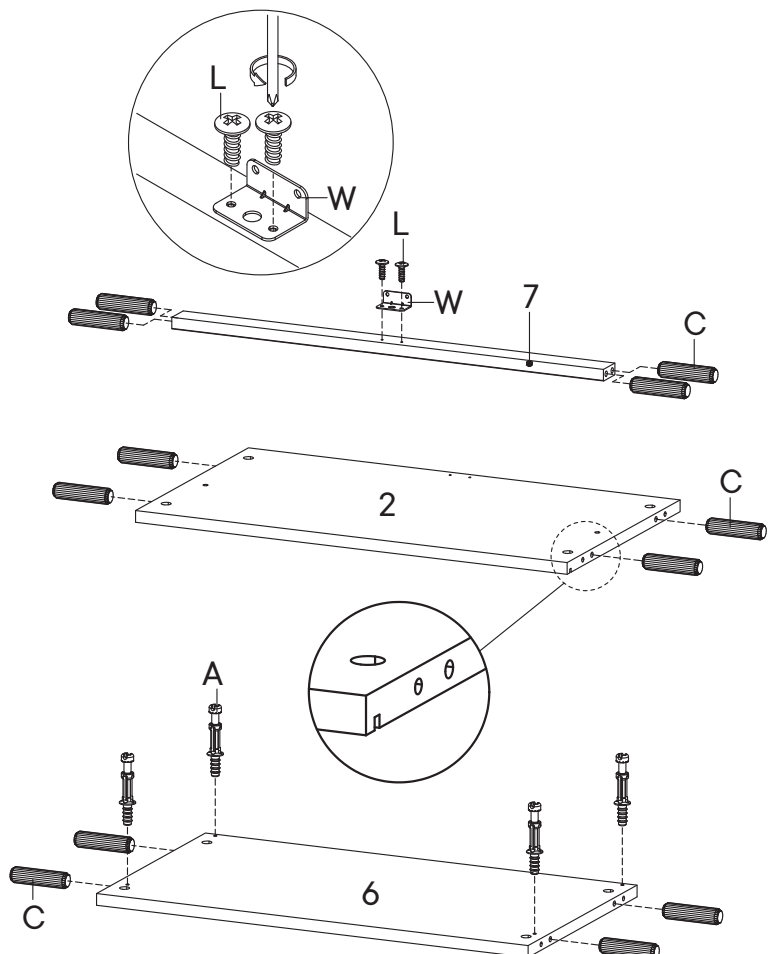
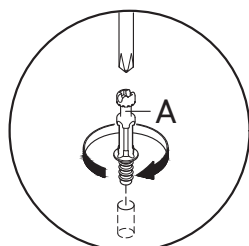
Step 6

HARDWARE

- A** Cam Bolt Ø6 x 35 mm x4
- C** Wood Dowel Ø8 x 30 mm x12
- L** Screw M 4.5 x 12.5 mm x2
- W** Plate x1

COMPONENTS

- 2** Bottom Board x1
- 6** Fixed Shelf x1
- 7** Bottom Skirt x1



Step 7

HARDWARE

C Wood Dowel Ø8 x 30 mm x20

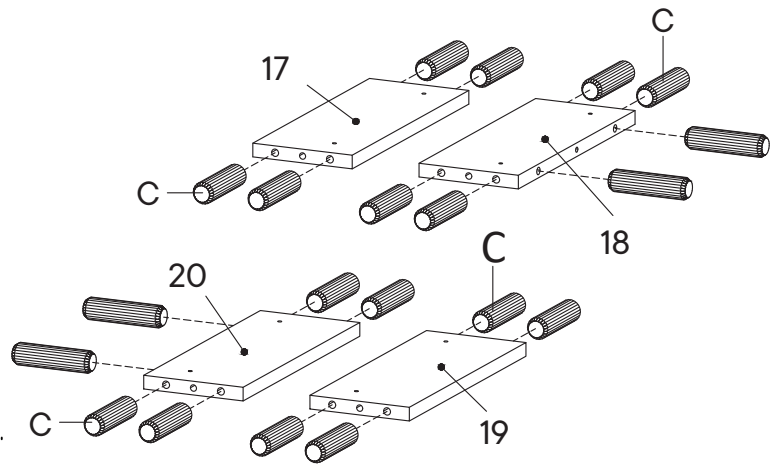
COMPONENTS

17 Side Drawer 1 x1

18 Side Drawer 2 x1

19 Side Drawer 3 x1

20 Side Drawer 4 x1



Step 8

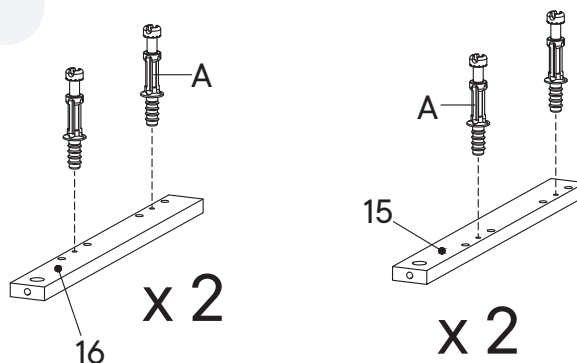
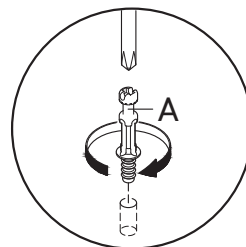
HARDWARE

A Cam Bolt Ø6 x 35 mm x8

COMPONENTS

15 Support Board 1 x2

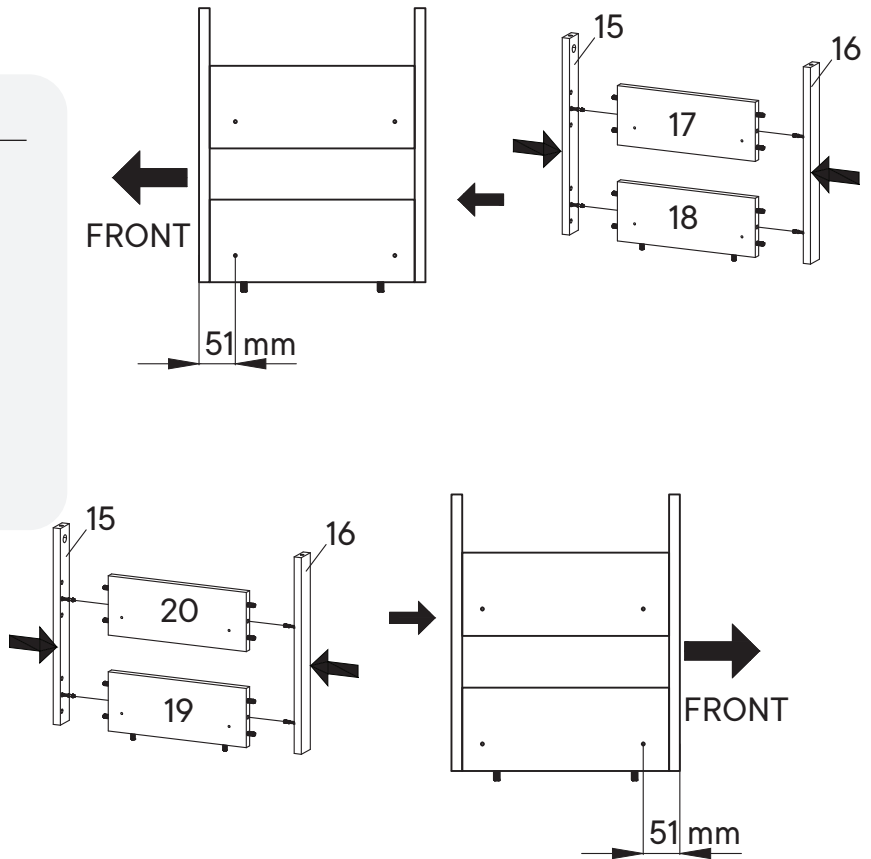
16 Support Board 2 x2



Step 9

COMPONENTS

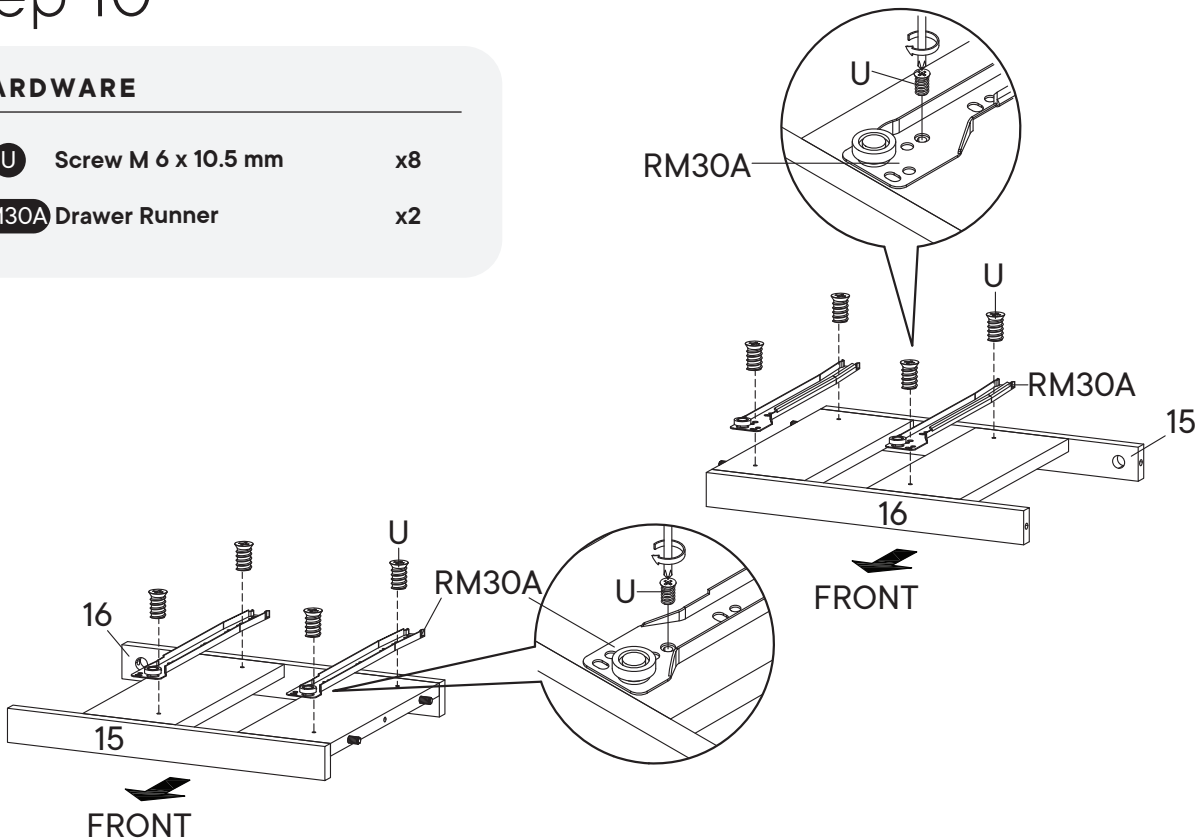
- 15** Support Board 1 x2
- 16** Support Board 2 x2
- 17** Side Board Drawer 1 x1
- 18** Side Board Drawer 2 x1
- 19** Side Board Drawer 3 x1
- 20** Side Board Drawer 4 x1



Step 10

HARDWARE

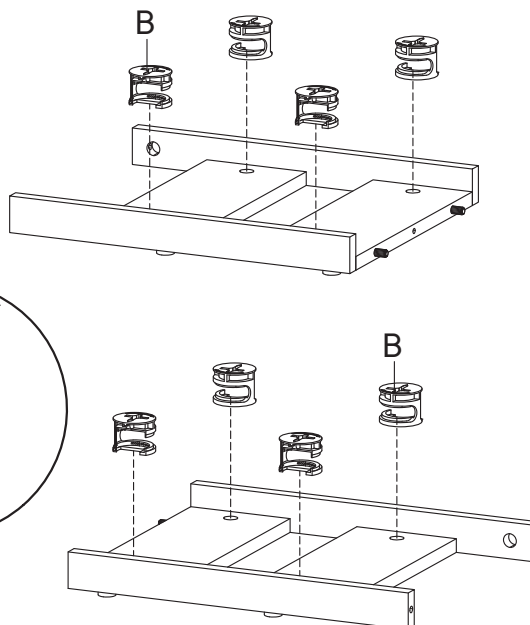
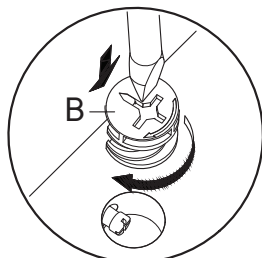
- U** Screw M 6 x 10.5 mm x8
- RM30A** Drawer Runner x2



Step 11

HARDWARE

- B** Cam Lock Ø15 mm x8



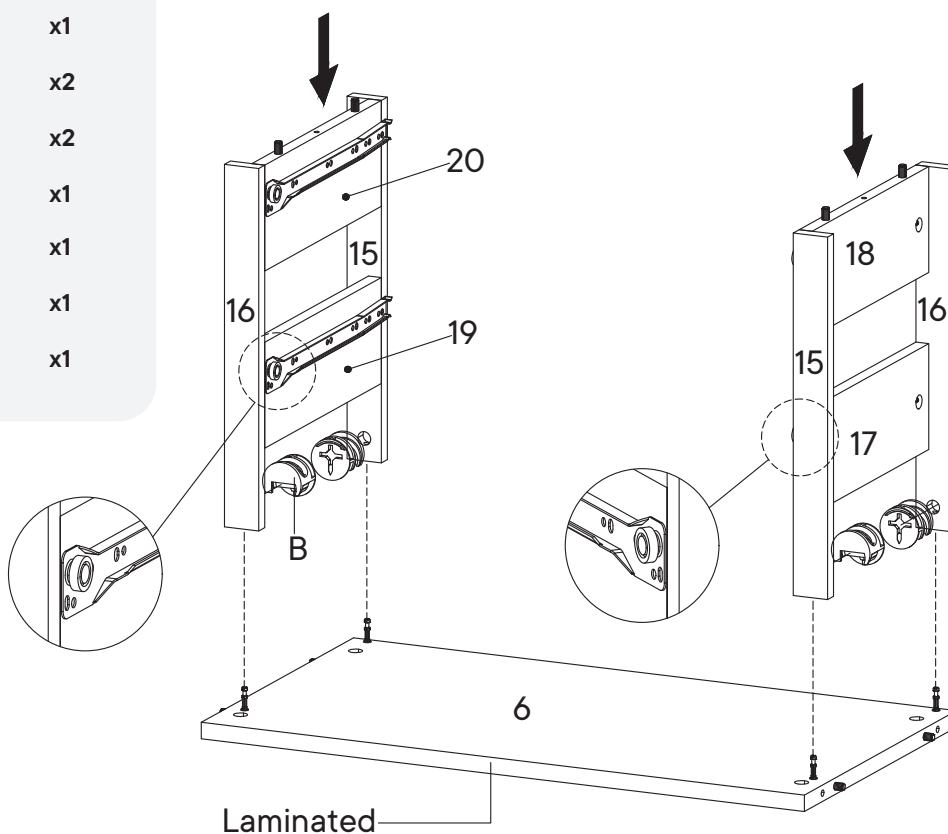
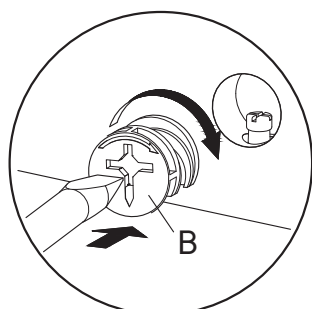
Step 12

HARDWARE

- B** Cam Lock Ø15 mm x4

COMPONENTS

- 6** Fixed Shelf x1
- 15** Support Board 1 x2
- 16** Support Board 2 x2
- 17** Side Drawer 1 x1
- 18** Side Drawer 2 x1
- 19** Side Drawer 3 x1
- 20** Side Drawer 4 x1



Step 13

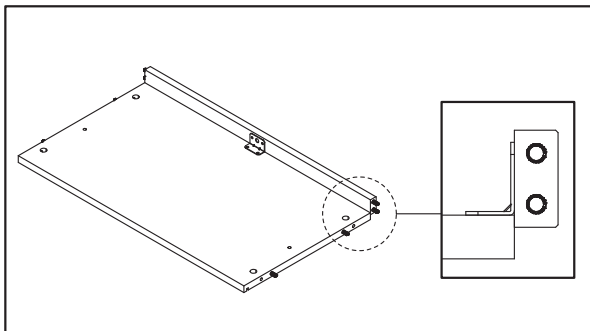
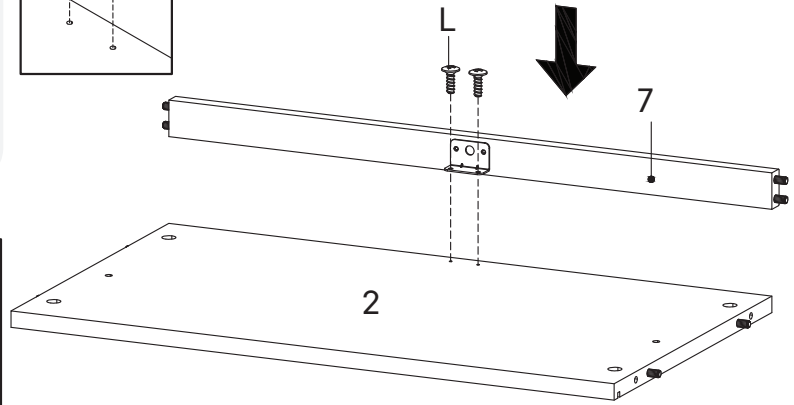
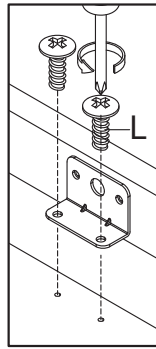
HARDWARE

L Screw M 4.5 x 12.5 mm x2

COMPONENTS

2 Bottom Board x1

7 Bottom Skirt x1



Step 14

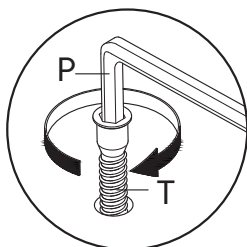
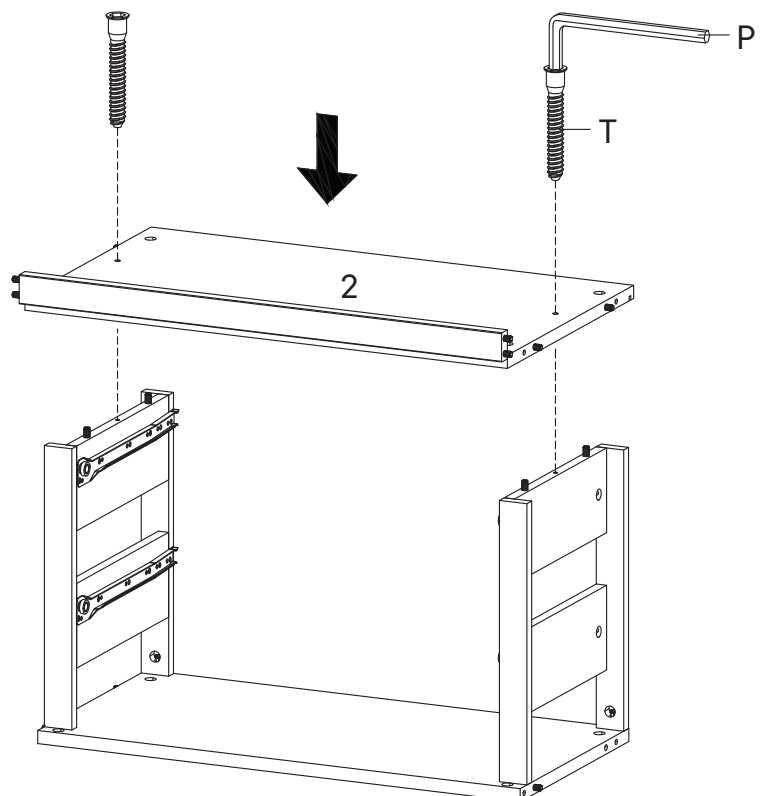
HARDWARE

P Allen Key x1

T Screw M 7 x 50 mm x2

COMPONENTS

2 Bottom Board x1



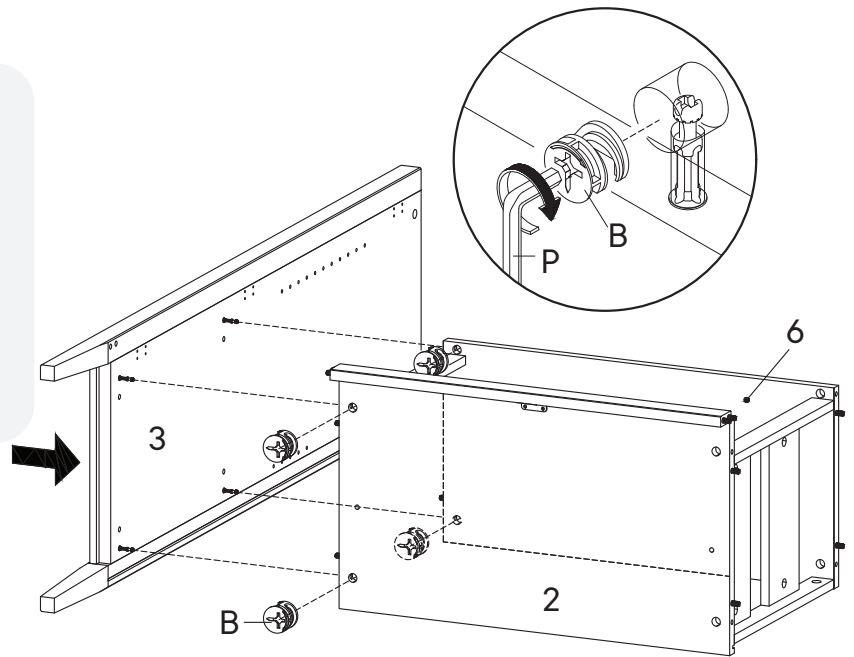
Step 15

HARDWARE

- B** Cam Lock Ø15 mm x4
- P** Allen Key x1

COMPONENTS

- 3** Side Board Left x1



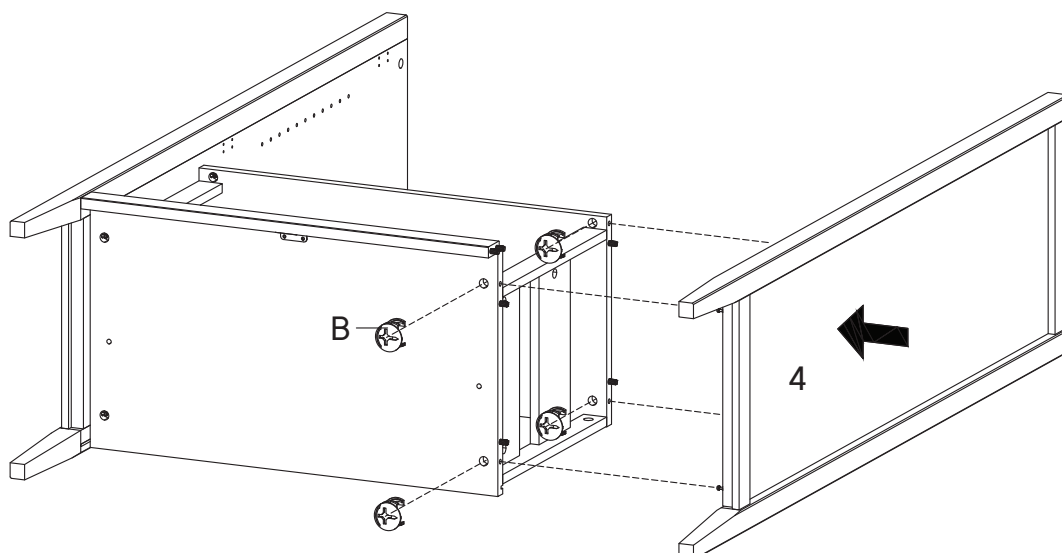
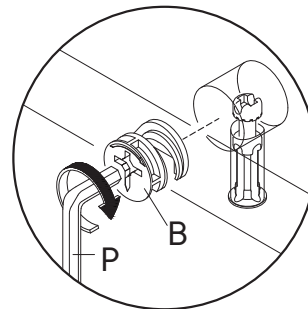
Step 16

HARDWARE

- B** Cam Lock Ø15 mm x4
- P** Allen Key x1

COMPONENTS

- 4** Side Board Right x1



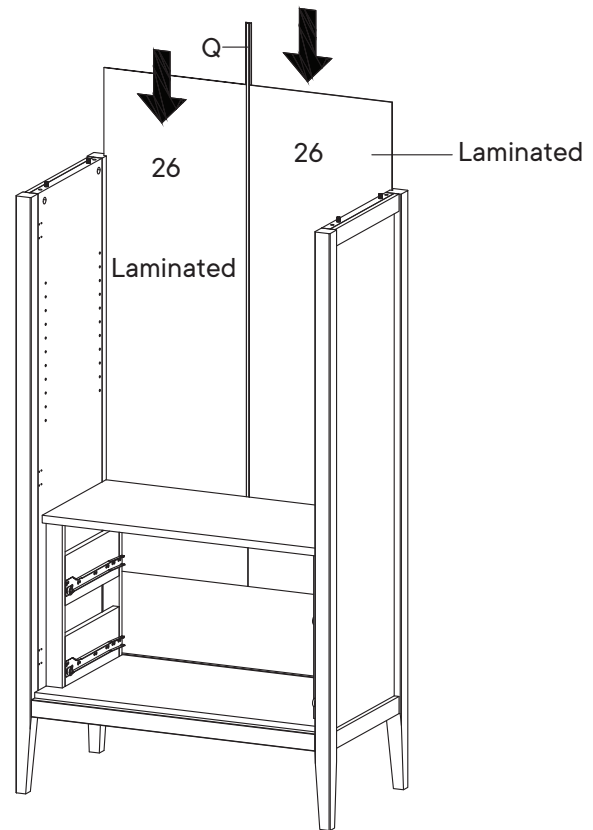
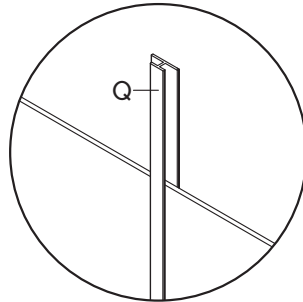
Step 17

HARDWARE

Q List Join x1

COMPONENTS

26 Back Board x2



Step 18

HARDWARE

A Cam Bolt Ø6 x 35 mm x10

C Wood Dowel Ø8 x 30 mm x5

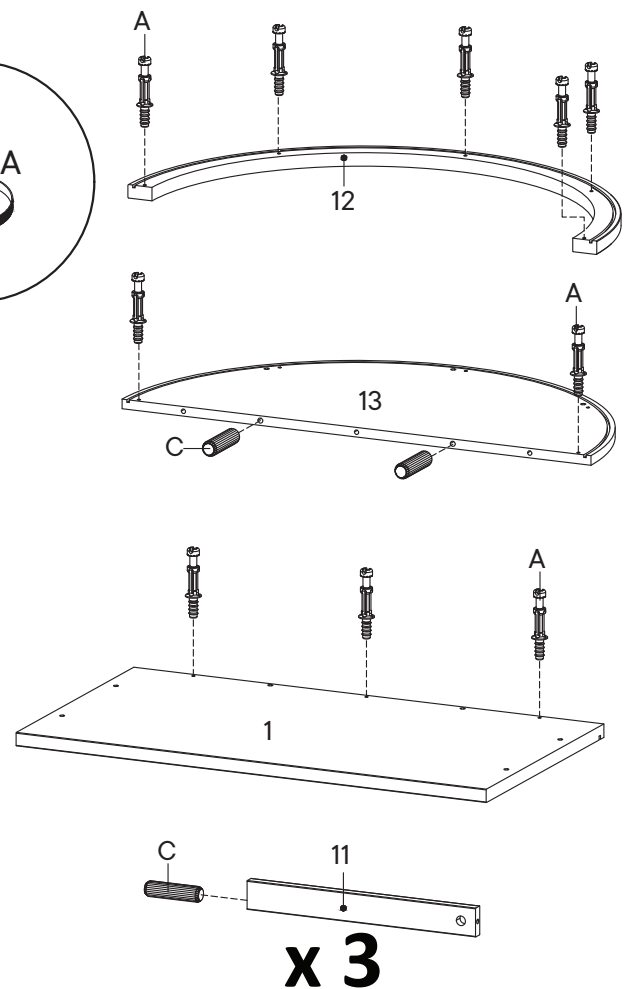
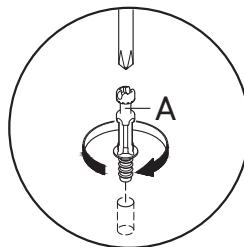
COMPONENTS

1 Top Board x1

11 Support Board 2 Hutch x3

12 Front Board Hutch x1

13 Back Board Hutch x1



Step 19

HARDWARE

B Cam Lock Ø15 mm x5

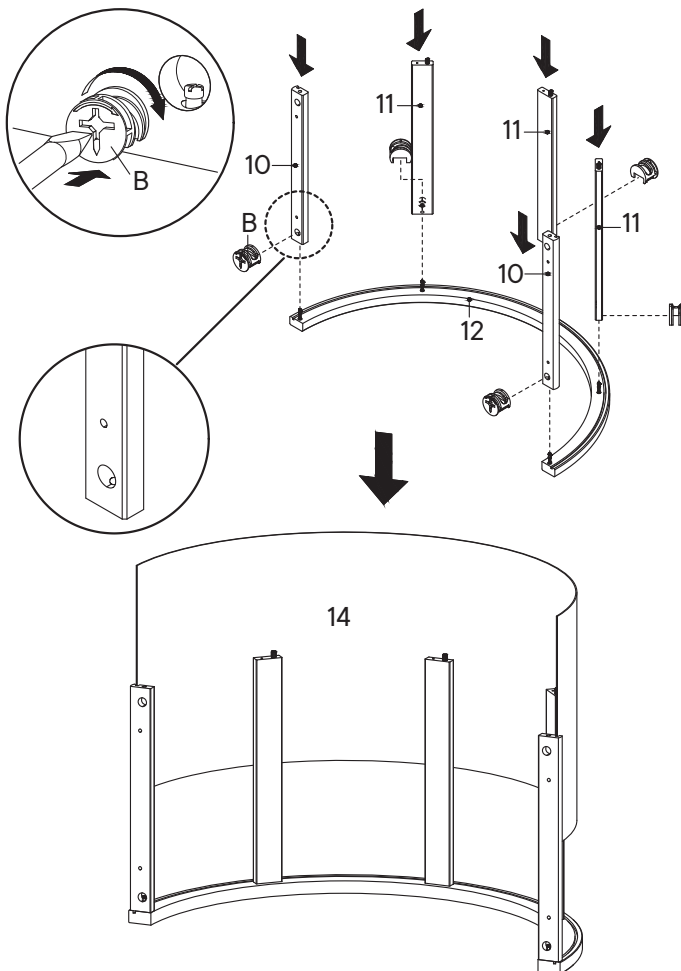
COMPONENTS

10 Support Board 1 Hutch x2

11 Support Board 2 Hutch x3

12 Front Board Hutch x1

14 PVC Board x1



Step 20

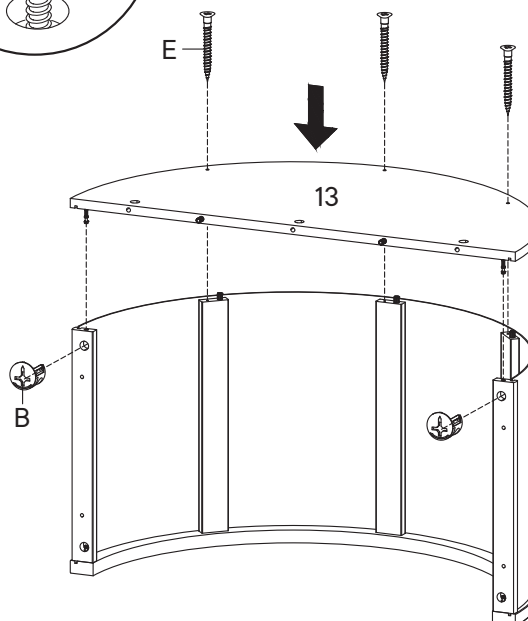
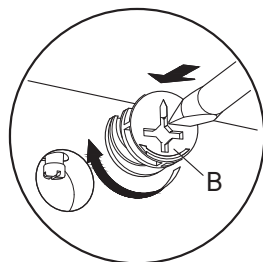
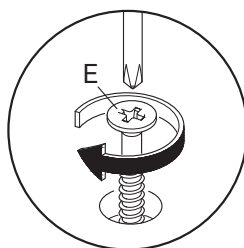
HARDWARE

B Cam Lock Ø15 mm x2

E Screw M 8 x 39 mm x3

COMPONENTS

13 Back Board Hutch x1



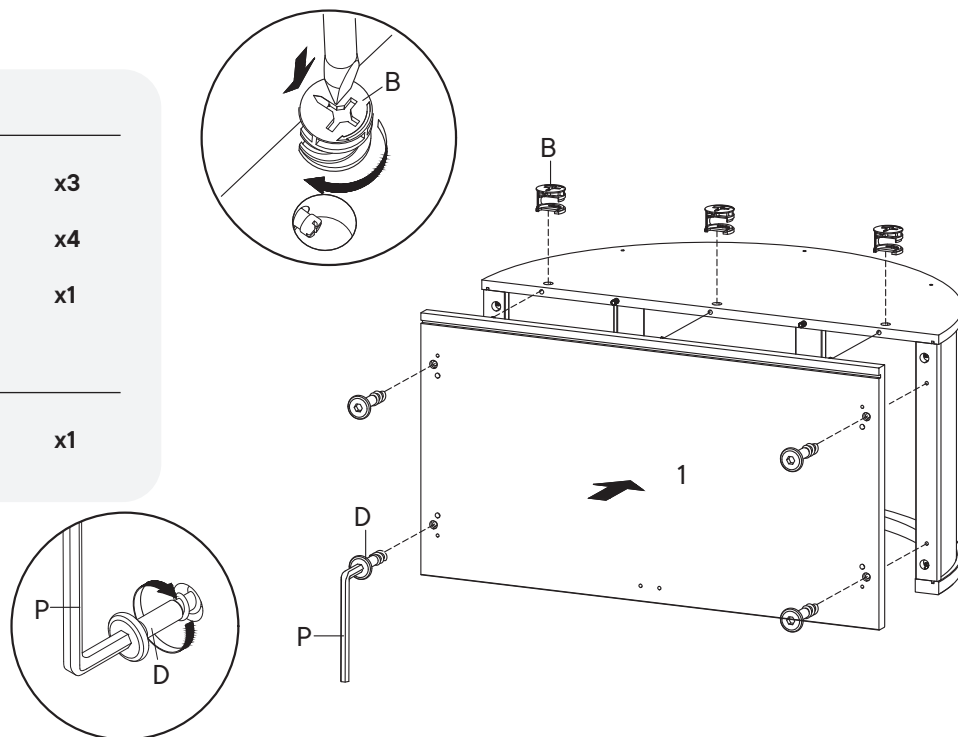
Step 21

HARDWARE

- B** Cam Lock Ø15 mm x3
- D** Screw M 6.4 x 25 mm x4
- P** Allen Key x1

COMPONENTS

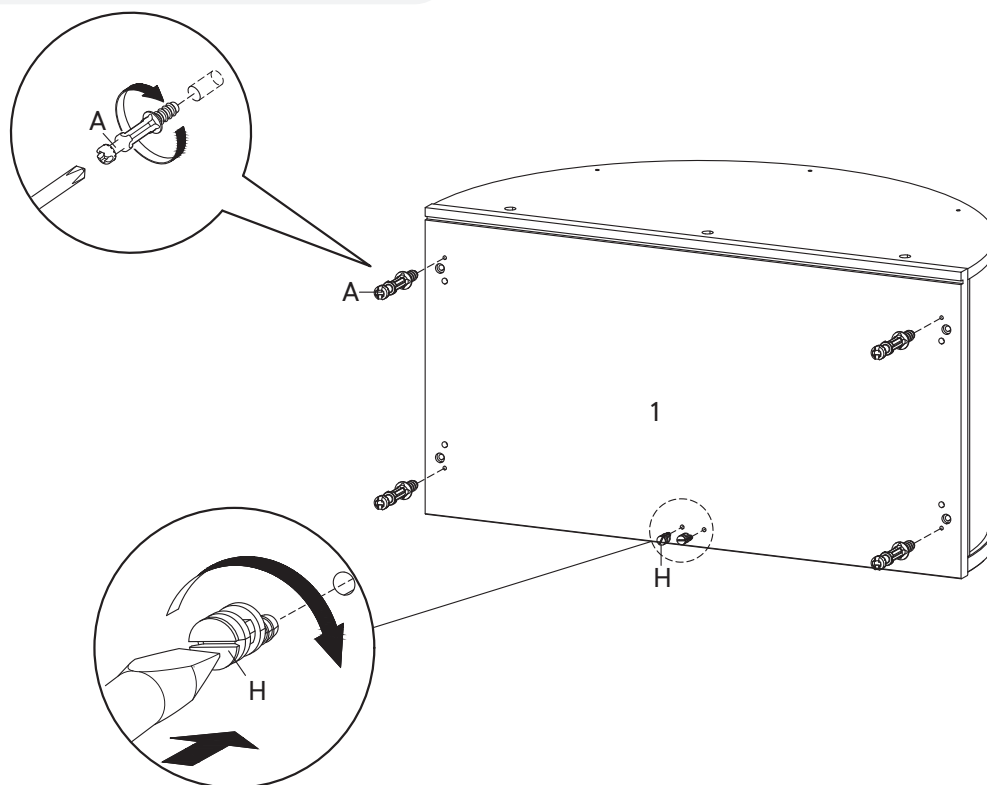
- 1** Top Board x1



Step 22

HARDWARE

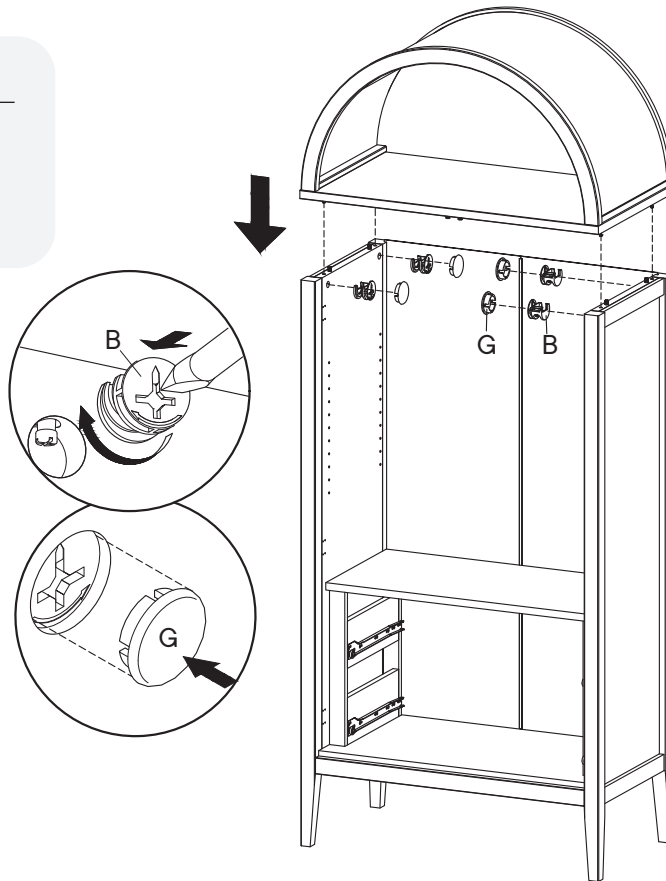
- A** Cam Bolt Ø6 x 35 mm x4
- H** Stopper x2



Step 23

HARDWARE

- B** Cam Lock Ø15 mm x4
- G** Screw Cap Ø15 mm x4



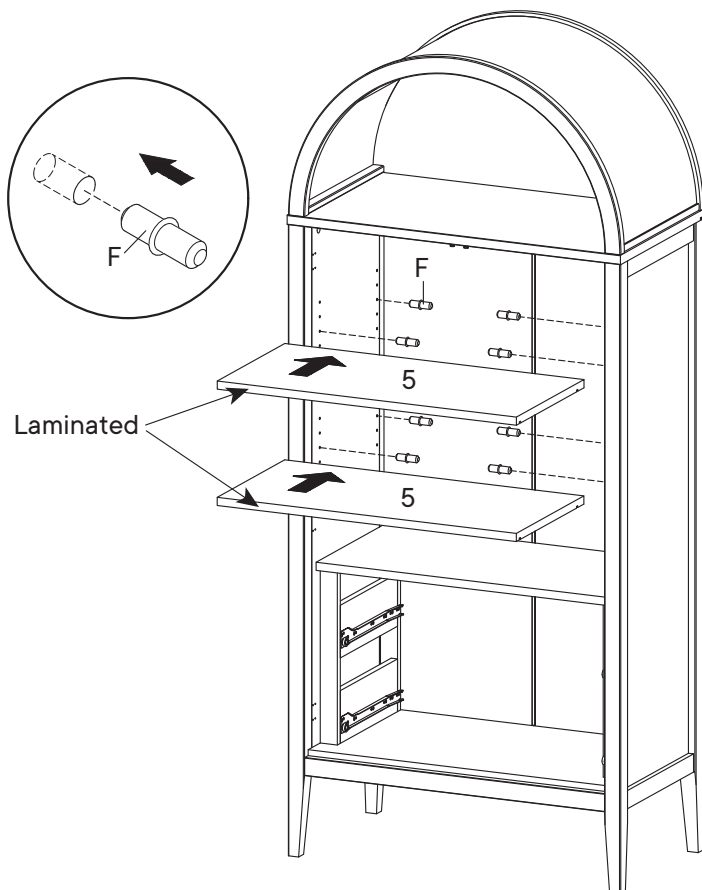
Step 24

HARDWARE

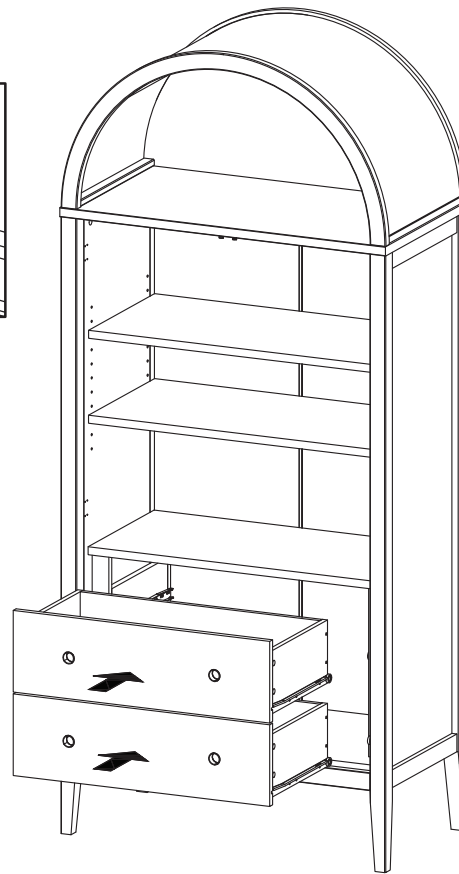
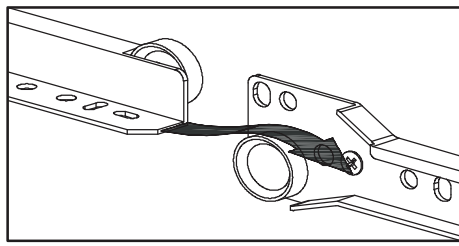
- F** Shelf Pin x8

COMPONENTS

- 5** Adjustable Shelf x2



Step 25



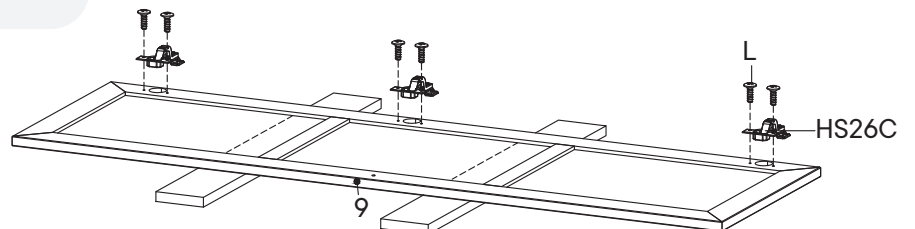
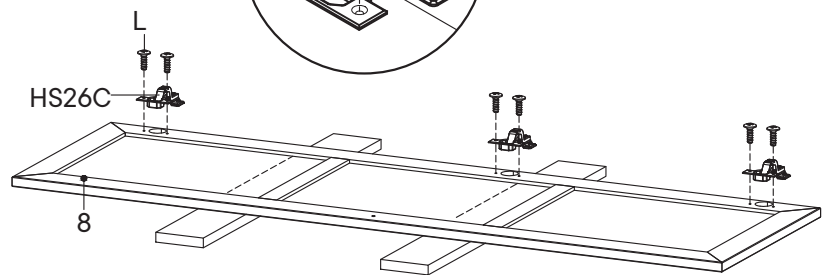
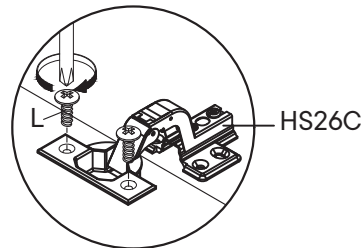
Step 26

HARDWARE

- L** Screw M 4.5 x 12.5 mm x12
- HS26C** Hinge x6

COMPONENTS

- 8** Door Left x1
- 9** Door Right x1



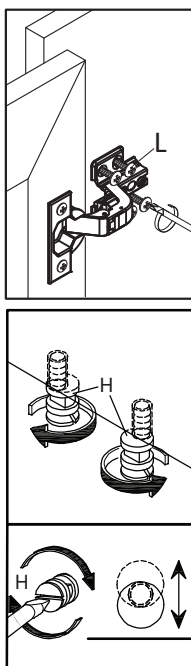
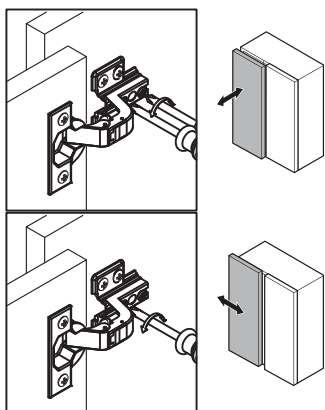
Step 27

HARDWARE

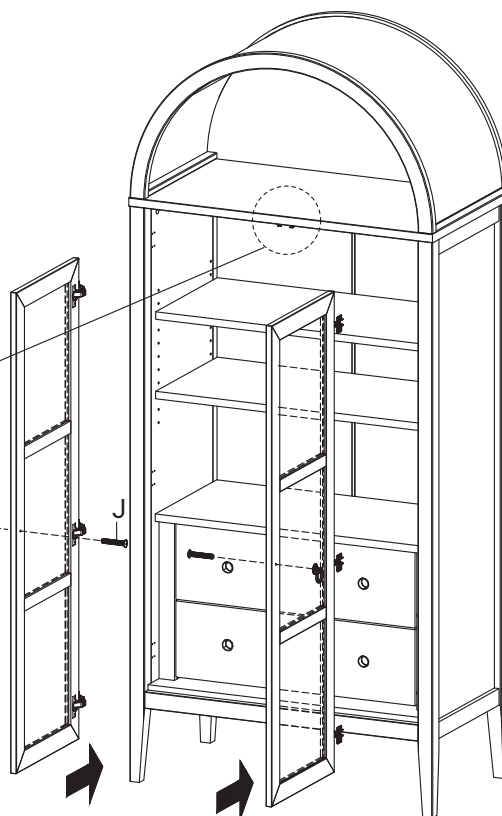
- I** Handle x2
- J** Screw M 4 x 20 mm x2
- L** Screw M 4.5 x 12.5 mm x24

COMPONENTS

- 8** Door Left x1
- 9** Door Right x1



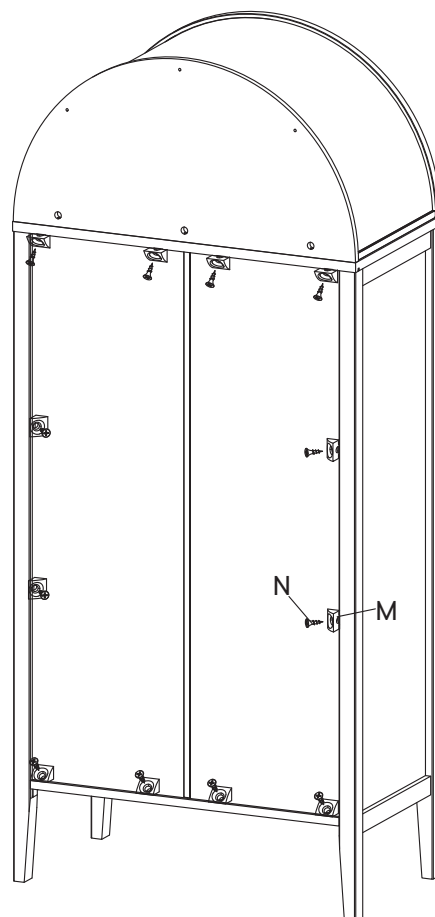
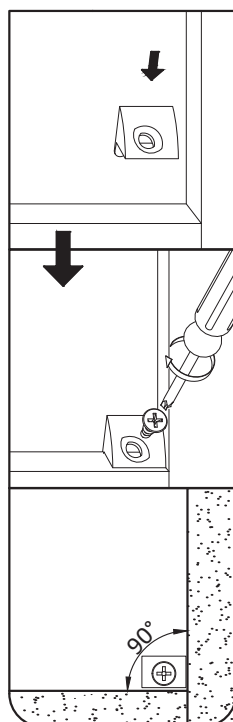
The door stopper position is adjustable (H). Please use screwdriver to adjust it as needed, so the doors are aligned when closed



Step 28

HARDWARE

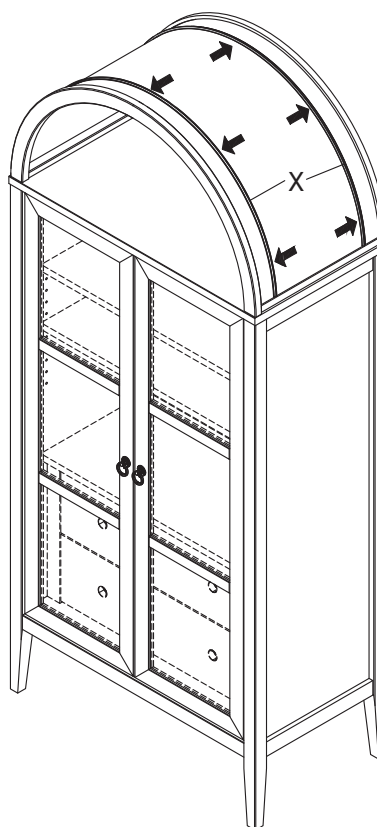
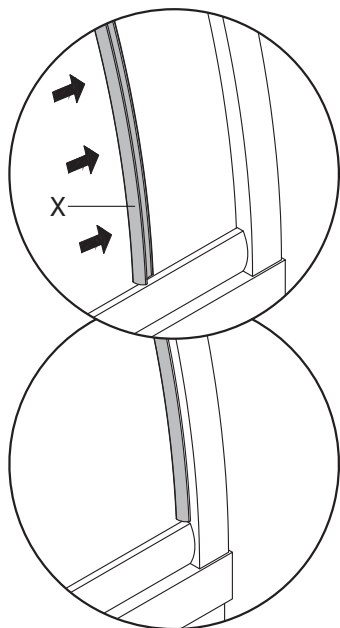
- M** Wedge x12
- N** Screw M 3.5 x 15.5 mm x12



Step 29

HARDWARE

X Rubber x2



Great job!

Bookcase assembly is complete.

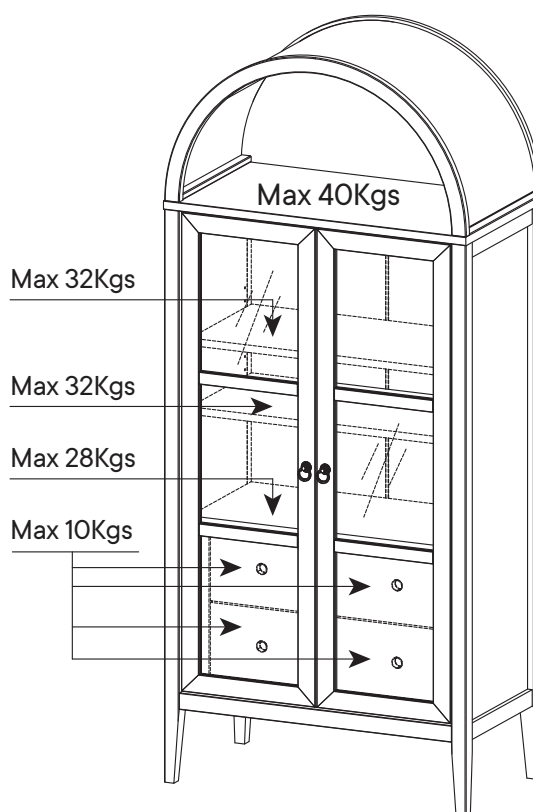
♥ CARING FOR YOUR ITEM

Indoor use only.

Not contract grade.

Clean using a non-abrasive cloth and a mild cleaner.

Never use harsh chemicals, as they could damage the finish or integrity of the item.



CONNECT WITH US!   

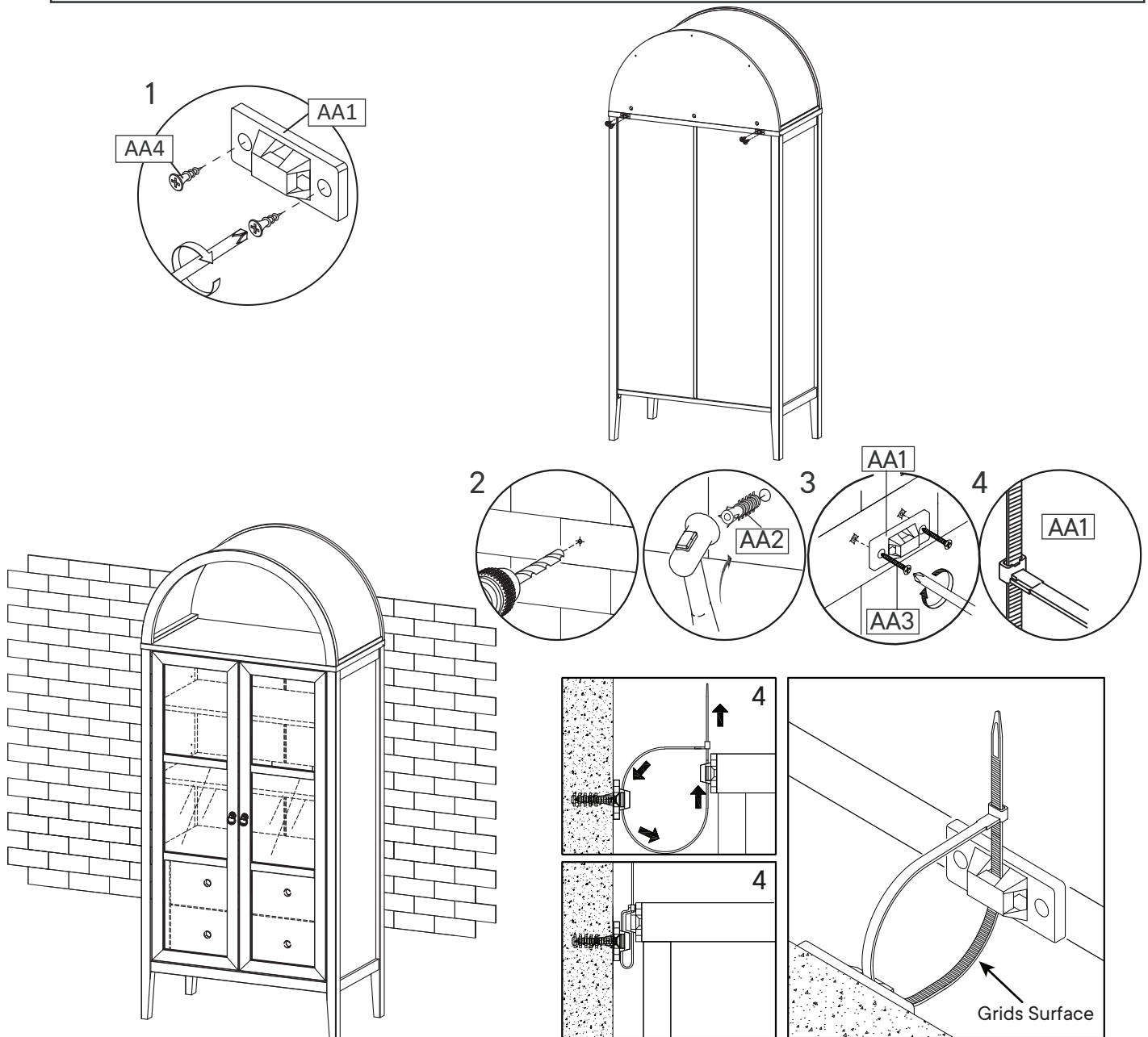
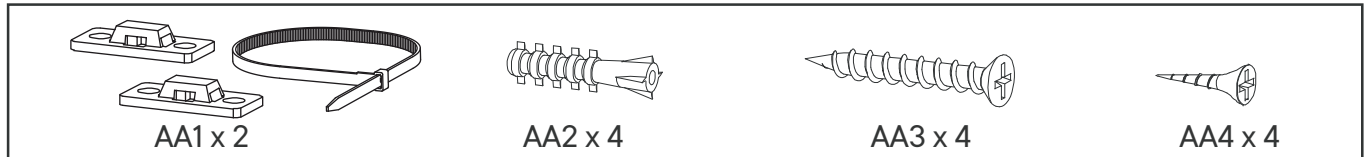
Tag us @modway_furniture and #modway for a chance to be featured.

TIPPING RESTRAINTS KIT INSTALLATION GUIDANCE

Different wall materials require unique wall fasteners.

The wall plugs (AA2) and screws (AA3) are designed for fixing to concrete walls only.

Please consult your local hardware store to ensure you are using the correct hardware for you wall type.



Installation Instructions :

1. Attach bracket (AA1) securely to the back top of the furniture using screw (AA4) provided. Allow 8 - 10 cm from each side.
2. Please make a hole for wall plugs position on the wall and minimum 15 mm below bracket secured to the back of unit attach the wall plugs (AA2).
3. Locate the other bracket (AA1) on the wall over wall plugs (AA2). Place furniture into position so both brackets (AA1) are vertically in the line.
4. Lace the end of the restraints strap through the larger hole in each bracket. Ensure the restraints strap with grids surface facing the inner loops. Bring both ends together and slide the flat end through the locking end and draw it through until all slack is removed.
5. Make sure that the strap is securely laced & locked.